

NAVSHIPS 91875(A)

TECHNICAL MANUAL

for

RADIO RECEIVING SETS
AN/SRR-11, AN/SRR-12,
AN/SRR-13 AND
AN/SRR-13A

RADIO CORPORATION OF AMERICA
RCA VICTOR DIVISION
CAMDEN, NEW JERSEY, U. S. A.

BUREAU OF SHIPS

NAVY DEPARTMENT

NAVY-NPS 4ND, PHILA., PA. - REPRINT

IB-39556

Contract: NObsr-52014
NObsr-57134

Approved by BuShips: 2 October 1953
Change 1: 27 August 1956

INSTRUCTIONS

CHANGE 1 TO NAVSHIPS 91875(A)

APPROVED 27 August 1956

This permanent change revises the book to reflect errors described in Temporary Corrections T-1, T-2, T-3 and T-4.

1. Remove superseded pages and insert revised pages as indicated below.

<u>Page</u>	<u>Removed</u>	<u>Insert</u>	<u>Page</u>	<u>Removed</u>	<u>Insert</u>
T. P. /A	Original	Ch. 1/Ch. 1	7-19	Original	Ch. 1
i to vi	Original	Ch. 1	7-21 to 7-51	Original	Ch. 1
1-1	Original	Ch. 1	7-53/7-54	Original	Ch. 1/Ch. 1
1-4/1-5	Original	Ch. 1/Ch. 1	7-58	Original	Ch. 1
1-7/1-8	Original	Ch. 1/Ch. 1	7-60/7-61	Original	Ch. 1/Ch. 1
2-1/2-2	Original	Ch. 1/Ch. 1	7-75	Original	Ch. 1
2-6 to 2-13	Original	Ch. 1	7-93, 7-94	Original	Ch. 1
2-16/2-17	Original	Ch. 1/Ch. 1	7-193, 7-194	Original	Ch. 1
2-19	Original	Ch. 1	7-199, 7-200	Original	Ch. 1
2-21 to 2-28	Original	Ch. 1	7-203, 7-204	Original	Ch. 1
3-4	Original	Ch. 1	7-209, 7-210	Original	Ch. 1
3-10	Original	Ch. 1	7-211, 7-212	Original	Ch. 1
3-11 to 3-14	Original	Ch. 1	8-1 to 8-107	Original	Ch. 1
4-1/4-2	Original	Ch. 1/Ch. 1	i-2/i-3	Original	Ch. 1/Ch. 1
4-4	Original	Ch. 1	i-5 to i-9	Original	Ch. 1
4-5, 5-1 to 6-2	Original	Ch. 1	i-12 to i-13	Original	Ch. 1
6-5	Original	Ch. 1	i-15	Original	Ch. 1
7-11/7-12	Original	Ch. 1/Ch. 1			

2. Insert the following "A" or "B" pages immediately after the page having the numerical counterpart minus the letter. "B" pages will follow "A" pages.

EXAMPLE: Page "1-0A" follows page "1-0"

<u>"A" or "B" Page</u>	<u>Follows Page</u>	<u>"A" or "B" Page</u>	<u>Follows Page</u>
1-0A	1-0	7-101A, 7-102A	7-101, 7-102
1-8A	1-8	7-101B, 7-102B	7-101A, 7-102A
3-10A	3-10	7-133A, 7-134A	7-133, 7-134
4-4A	4-4	7-137A, 7-138A	7-137, 7-138
7-97A, 7-98A	7-97, 7-98	7-155A, 7-156A	7-155, 7-156
7-97B, 7-98B	7-97A, 7-98A	7-177A, 7-178A	7-177, 7-178

3. Destroy superseded pages after the complete book has been checked against the "List of Effective Pages".

4. Make appropriate entry in "Record of Changes Page".

5. Remove and destroy the superseded Temporary Correction (s), and then insert this "Instruction" sheet just behind the front cover.

LIST OF EFFECTIVE PAGES

PAGE NUMBERS	CHANGE IN EFFECT	PAGE NUMBERS	CHANGE IN EFFECT
Title Page	Change 1	7-75	Change 1
A	Change 1	7-76 to 7-92	Original
B, C	Original	7-93, 7-94	Change 1
i to vi	Change 1	7-95, 7-96, 7-97, 7-98	Original
vii to 1-0	Original	7-97A, 7-98A	Change 1
1-0A, 1-1	Change 1	7-97B, 7-98B	Change 1
1-2, 1-3	Original	7-99, 7-100	Original
1-4, 1-5	Change 1	7-101, 7-102	Original
1-6	Original	7-101A, 7-102A	Change 1
1-7 to 1-8A	Change 1	7-101B, 7-102B	Change 1
2-1, 2-2	Change 1	7-103, 7-104 to 7-133, 7-134	Original
2-3 to 2-5	Original	7-133A, 7-134A	Change 1
2-6 to 2-13	Change 1	7-135, 7-136	Original
2-14, 2-15	Original	7-137, 7-138	Original
2-16, 2-17	Change 1	7-137A, 7-138A	Change 1
2-18	Original	7-139, 7-140 to	
2-19	Change 1	7-155, 7-156	Original
2-20	Original	7-155A, 7-156A	Change 1
2-21 to 2-28	Change 1	7-157, 7-158 to	
3-1 to 3-3	Original	7-177, 7-178	Original
3-4	Change 1	7-177A, 7-178A	Change 1
3-5 to 3-9	Original	7-179, 7-180 to	
3-10	Change 1	7-191, 7-192	Original
3-10A	Change 1	7-193, 7-194	Change 1
3-11 to 3-14	Change 1	7-195, 7-196	Original
4-1, 4-2	Change 1	7-197, 7-198	Original
4-3	Original	7-199, 7-200	Change 1
4-4, 4-4A	Change 1	7-201, 7-202	Original
4-5, 5-1 to 6-2	Change 1	7-203, 7-204	Change 1
6-3, 6-4	Original	7-205, 7-206	Original
6-5	Change 1	7-207, 7-208	Original
6-6 to 6-10	Original	7-209, 7-210	Change 1
7-1 to 7-10	Original	7-211, 7-212	Change 1
7-11, 7-12	Change 1	7-213, 7-214 to	
7-13 to 7-18	Original	7-229, 7-230	Original
7-19	Change 1	8-1 to 8-107	Change 1
7-20	Original	i-1	Original
7-21 to 7-51	Change 1	i-2, i-3	Change 1
7-52	Original	i-4	Original
7-53, 7-54	Change 1	i-5 to i-9	Change 1
7-55 to 7-57	Original	i-10, i-11	Original
7-58	Change 1	i-12, i-13	Change 1
7-59	Original	i-14	Original
7-60, 7-61	Change 1	i-15	Change 1
7-62 to 7-74	Original	i-16	Original



DEPARTMENT OF THE NAVY
BUREAU OF SHIPS
WASHINGTON 25, D. C.

IN REPLY REFER TO
Code 993-100
20 April 1953

From: Chief, Bureau of Ships
To: All Activities concerned with the Installation, Operation and Maintenance of the Subject Equipment
Subj: Instruction Book for Radio Receiving Sets AN/SRR-11, AN/SRR-12, AN/SRR-13, NAVSHIPS 91875(A)

1. This non-registered publication is the instruction book for the subject equipment and is in effect upon receipt.
2. It contains RESTRICTED SECURITY INFORMATION and shall be handled, transported, and safeguarded in accordance with the U. S. Navy Security Manual for Classified Matter. When superseded by a later edition, this publication shall be destroyed. It may not be carried in aircraft for use therein.
3. Any person known to be in the service of the United States and persons of undoubted loyalty and discretion who are co-operating in government work may have access to this publication. However, information contained herein shall not be communicated to the public or to the press.
4. This document contains information affecting the National Defense of the United States within the meaning of the Espionage Laws, Title 18, U. S. C., Sections 793 and 794. The transmission or the revelation of its contents in any manner to an unauthorized person is prohibited by law.
5. Extracts from this publication may be made to facilitate the preparation of other Department of Defense Publications. It is forbidden to make extracts for any other purpose without specific approval of the Chief of the Bureau of Ships, except as provided for in the U. S. Navy Security Manual for Classified Matter.
6. All requests for NAVSHIPS Electronics publications should be directed to the nearest District Publications and Printing Office. When changes or revised books are distributed, notice will be included in the Bureau of Ships Journal and in the Index of Bureau of Ships General and Electronics Publications, NAVSHIPS 250-020:

H. N. WALLIN
Chief of Bureau

TABLE OF CONTENTS

<i>Paragraph</i>	<i>Title</i>	<i>Page</i>	<i>Paragraph</i>	<i>Title</i>	<i>Page</i>
SECTION 1—GENERAL DESCRIPTION					
1.	Scope of This Book	1-1	(2)	Second i-f Amplifier Stages	2-10
2.	Purpose and Basic Principles	1-1	(3)	Tuning Meter	2-10
3.	Description of Receivers	1-1	(4)	BFO-Mixer	2-10
<i>a.</i>	Input and Output Connections	1-2	(5)	Diode Detector and Delayed AGC	2-10
<i>b.</i>	Filter Assemblies	1-2	(6)	Dual Diversity Reception (AN/SRR-12 or -13 only)	2-12
<i>c.</i>	Assemblies and Sub-Assemblies	1-2	(7)	Frequency Shift and Panoramic Operation	2-12
<i>d.</i>	Assembly Locations	1-3	<i>i.</i>	Beat Frequency Oscillator	2-12
<i>e.</i>	Controls	1-3	<i>j.</i>	Audio Amplifier	2-12
<i>f.</i>	Tuning Dial	1-3	(1)	Audio Input Circuits	2-12
4.	Reference Data	1-3	(2)	Silencer Circuit (AN/SRR-12 and -13 only)	2-13
SECTION 2—THEORY OF OPERATION					
1.	General Description	2-1	(3)	Second Audio Amplifier (V1105)	2-14
2.	Circuit Description	2-2	(4)	Diode Limiters	2-14
<i>a.</i>	How to Read Schematics	2-2	(5)	Audio Output Stages	2-14
(1)	Assemblies	2-2	<i>k.</i>	Output Meter	2-14
(2)	Sub-Assemblies	2-2	<i>l.</i>	Power Supply	2-14
(3)	Wafer Switches	2-2	<i>m.</i>	Filter Assembly	2-15
<i>(a)</i>	Band Selector Switches	2-2	(1)	I-F Circuit	2-15
<i>(b)</i>	Reception Control	2-2	(2)	Pan Circuit (AN/SRR-12 and AN/SRR-13 only)	2-15
(4)	Input Hi-Lo, Output Hi-Lo	2-3	(3)	Ant. Circuit	2-15
<i>b.</i>	Antenna Preamplifier	2-3	(4)	Power Circuit	2-15
(1)	Antenna Preamplifier (AN/SRR-11)	2-3	(5)	Audio Circuit	2-15
(2)	Antenna Preamplifier (AN/SRR-12)	2-3	(6)	Det. AGC Circuit	2-16
(3)	Antenna Preamplifier (AN/SRR-13)	2-4	<i>n.</i>	Crystal Calibrator	2-16
<i>c.</i>	R-F Amplifier	2-4	(1)	10-kc Crystal Calibrator (AN/SRR-11)	2-16
(1)	R-F Amplifier (AN/SRR-11)	2-4	(2)	50-kc Crystal Calibrator (AN/SRR-12)	2-17
(2)	R-F Amplifier (AN/SRR-12)	2-5	(3)	200-kc Crystal Calibrator (AN/SRR-13)	2-18
(3)	R-F Amplifier (AN/SRR-13)	2-5	<i>o.</i>	Band Selector Functioning	2-18
<i>d.</i>	Mixer	2-5	<i>p.</i>	Reception Control Functioning	2-18
(1)	Mixer (AN/SRR-11)	2-5	<i>q.</i>	Tuning Dial Assembly	2-18
(2)	Mixer (AN/SRR-12)	2-6	SECTION 3—INSTALLATION		
(3)	Mixer (AN/SRR-13)	2-6	1.	Unpacking	3-1
<i>e.</i>	Local Oscillator	2-7	<i>a.</i>	General	3-1
(1)	Oscillator (AN/SRR-11)	2-7	<i>b.</i>	Unpacking Procedure	3-1
(2)	Oscillator (AN/SRR-12)	2-7	2.	Installation	3-1
(3)	Oscillator (AN/SRR-13)	2-7	<i>a.</i>	Removing the Chassis	3-2
(4)	Oscillator (AN/SRR-13A)	2-8	<i>b.</i>	Mounting the Receiver Cabinet	3-2
<i>f.</i>	Intermediate Frequencies	2-8	<i>c.</i>	Replacing the Chassis	3-2
<i>g.</i>	First i-f Assembly	2-8	<i>d.</i>	Cabling	3-2
(1)	First i-f (AN/SRR-11)	2-8			
(2)	First i-f (AN/SRR-12)	2-8			
(3)	First i-f (AN/SRR-13)	2-8			
<i>b.</i>	Second i-f	2-9			
(1)	Filters and Input Circuit	2-10			

TABLE OF CONTENTS (Continued)

<i>Paragraph</i>	<i>Title</i>	<i>Page</i>	<i>Paragraph</i>	<i>Title</i>	<i>Page</i>
(2)	A2 Signals	7-10	a.	Replacing Eight-Pin Tubes	7-59
(3)	A3 Signals (AN/SRR-12 and -13 only)	7-10	b.	Replacing Four-Pin Tubes	7-59
(4)	FI Signals	7-10	9.	Removing and Replacing Pilot Light, Dial Lights and Crystals	7-59
(5)	Conclusion	7-11	a.	Pilot Light and Crystals	7-59
e.	R-F System	7-11	b.	Dial Lights	7-60
f.	Crystal Calibrator	7-11	10.	Removing and Replacing the Tuning Dial	7-60
g.	BFO	7-12	11.	Alignment of the Tuning Dial	7-60
b.	Noise Peak Limiter, Diode Detector and Tuning Indicator	7-12	12.	Removing and Replacing the Tuning Capacitors	7-61
i.	Checking AGC Circuits (AN/SRR-12 and -13 only)	7-12	13.	Alignment of Wafer Switches	7-61
4.	Stage Gain Measurements	7-16	a.	Reception Control Switches	7-61
5.	Voltage and Resistance Measurements	7-51	b.	Band Selector Switches	7-61
6.	Removing and Replacing Assembly Covers and Assemblies	7-55	14.	Receiver Alignment	7-61
a.	Removing Assembly Covers	7-55	a.	List of Equipment for Receiver Alignment	7-64
b.	Removing and Replacing Assemblies	7-55	b.	I-F Alignment	7-64
7.	Removing and Replacing Plug-in Sub-Assemblies	7-55	c.	I-F Filter Alignment	7-64
a.	Removing a Plug-in Unit	7-55	d.	BFO Alignment	7-66
b.	Replacing a Plug-in Unit	7-55	e.	Crystal Calibrator Alignment	7-66
c.	Removing a Plug-in Board	7-55	f.	R-F Section Alignment	7-67
d.	Replacing a Plug-in Board	7-55	15.	Selectivity Measurement	7-71
8.	Changing Electron Tubes	7-55	16.	Crystal Data	7-72
			17.	Winding Data	7-72

LIST OF ILLUSTRATIONS

<i>Figure</i>	<i>Title</i>	<i>Page</i>	<i>Figure</i>	<i>Title</i>	<i>Page</i>
SECTION 1—GENERAL DESCRIPTION					
1-1	Radio Receivers AN/SRR-11, -12, -13, -13A	1-0, 1-0A	2-8	Functional Block Diagram, AN/SRR-11	2-21, 2-22
1-2	Chassis in Service Position, Top View	1-2	2-9	Functional Block Diagram, AN/SRR-12	2-23, 2-24
1-3	Chassis in Service Position, Bottom View	1-3	2-10	Functional Block Diagram, AN/SRR-13	2-25, 2-26
SECTION 2—THEORY OF OPERATION					
2-1	Local Oscillator, Simplified Schematic, AN/SRR-11	2-9	2-10A	Functional Block Diagram, AN/SRR-13A	2-27, 2-28
2-2	First I-F, Simplified Schematic, AN/SRR-11	2-9	SECTION 3—INSTALLATION		
2-3	Detector and AGC, Simplified Schematic	2-11	3-1	Unpacking	3-1
2-4	Noise Peak Limiter, Simplified Schematic	2-13	3-2	Removal of Chassis from Cabinet	3-3
2-5	Silencer Circuit, Simplified Schematic	2-13	3-3	External Cabling Diagram	3-5
2-6	Crystal Calibrator, Simplified Schematic, AN/SRR-11	2-16	3-4	Cable Fabrication, UG-88/U Plug	3-6
2-7	Crystal Calibrator, Simplified Schematic, AN/SRR-12 and -13	2-17	3-5	Cable Fabrication, UG-21B/U Plug	3-7
			3-6	Cable Fabrication, AN-3106A Plugs	3-8
			3-7	Initial Adjustment Component Location (Top View)	3-9
			3-8	Initial Adjustment Component Location (Bottom View)	3-10
			3-8A	Reception Switch Assembly	3-10A
			3-9	Antenna Matching Links in Preamplifier, AN/SRR-11	3-11

LIST OF ILLUSTRATIONS (Continued)

<i>Figure</i>	<i>Title</i>	<i>Page</i>	<i>Figure</i>	<i>Title</i>	<i>Page</i>
3-10	Antenna Matching Links in Preamplifier, AN/SRR-12, -13	3-11	7-8	Receiver Component Location (Top and Bottom View)	7-65
3-11	Link Positions for Diversity Operation	3-12	7-9	R-F Alignment Points	7-66
3-12	Link Positions for Single Receiver Operation	3-12	7-10	Test Equipment Set-Up for Selectivity Measurements	7-69
3-13	Installation Outline	3-13, 3-14	7-11 (A, B, C, D)	Selectivity Curves	7-70
			7-11 (E, F)	Selectivity Curves	7-71
	SECTION 4—OPERATION		7-12	Schematic Diagram, AN/SRR-11 (Sheets 1 and 2)	7-91, 7-92—7-93, 7-94
4-1	Front Panel Controls, AN/SRR-11	4-3	7-13	Schematic Diagram, AN/SRR-12 (Sheets 1 and 2)	7-95, 7-96—7-97, 7-98
4-2	Front Panel Controls, AN/SRR-12, -13	4-3	7-13A	Schematic Diagram, AN/SRR-12 (Serial Nos. 574 through 935) (Sheets 1 and 2)	7-97A, 7-98A—7-97B, 7-98B
4-2A	Front Panel Controls, AN/SRR-13A	4-4A	7-14	Schematic Diagram, AN/SRR-13 (Sheets 1 and 2)	7-99, 7-100—7-101, 7-102
	SECTION 5—OPERATOR'S MAINTENANCE		7-14A	Schematic Diagram, AN/SRR-13A (Sheets 1 and 2)	7-101A, 7-102A—7-101B, 7-102B
5-1	Power Supply, Bottom View	5-2	7-15	Antenna Box, Connection Diagram, AN/SRR-11	7-103, 7-104
	SECTION 6—PREVENTIVE MAINTENANCE		7-16	Antenna Box, Connection Diagram, AN/SRR-12	7-105, 7-106
6-1	Test Set-Up for Receiver Sensitivity Measurements	6-6	7-17	Antenna Box, Connection Diagram, AN/SRR-13	7-107, 7-108
6-2	Lubrication Chart, Chassis Positioning Mechanism	6-7	7-18	R-F Amplifier, Connection Diagram, AN/SRR-11	7-109, 7-110
6-3	Lubrication Chart, Chassis Top View	6-8	7-19	R-F Amplifier, Connection Diagram, AN/SRR-12	7-111, 7-112
6-4	Lubrication Chart, Chassis Bottom View	6-9	7-20	R-F Amplifier, Connection Diagram, AN/SRR-13	7-113, 7-114
6-5	Lubrication Chart, Tuning Dial Assembly	6-10	7-21	Mixer, Connection Diagram, AN/SRR-11	7-115, 7-116
	SECTION 7—CORRECTIVE MAINTENANCE		7-22	Mixer, Connection Diagram, AN/SRR-12	7-117, 7-118
7-1 (Sheet 1)	Stage Gain and Trouble Shooting Measurement Points (Top View)	7-4	7-23	Mixer, Connection Diagram, AN/SRR-13	7-119, 7-120
7-1 (Sheet 2)	Stage Gain and Trouble Shooting Measurement Points (Bottom View)	7-5	7-24	Oscillator, Connection Diagram, AN/SRR-13	7-121, 7-122
7-2	Test Set-Up for Stage Gain Measurements	7-9	7-25	Oscillator, Connection Diagram, AN/SRR-12	7-123, 7-124
7-3	Removing and Replacing Assemblies on Top Side of Chassis	7-13	7-26	Oscillator, Connection Diagram, AN/SRR-13	7-125, 7-126
7-4	Removing and Replacing Assemblies on Bottom Side of Chassis (AN/SRR-11)	7-14	7-27	First I-F Amplifier, Connection Diagram, AN/SRR-11	7-127, 7-128
7-5	Removing and Replacing Assemblies on Bottom Side of Chassis (AN/SRR-12 and -13)	7-15	7-28	First I-F Amplifier, Connection Diagram, AN/SRR-12	7-129, 7-130
7-6 (A, B)	Removing and Replacing Plug-in Units and Electron Tubes	7-56	7-29	First I-F Amplifier, Connection Diagram, AN/SRR-13	7-131, 7-132
7-6 (C, D)	Removing and Replacing Plug-in Units and Electron Tubes	7-57			
7-7 (A, B)	Removal and Replacement of the Tuning Dial	7-62			
7-7 (C, D)	Removal and Replacement of the Tuning Dial	7-63			

LIST OF ILLUSTRATIONS (Continued)

Figure	Title	Page	Figure	Title	Page
7-30	Second I-F Amplifier, Connection Diagram	7-133, 7-134	7-51	Oscillator Plug-in Board, Z201	7-173, 7-174
7-30A	Second I-F Amplifier, Connection Diagram (AN/SRR-13A)	7-133A, 7-134A	7-52	Oscillator Plug-in Board, Z401	7-175, 7-176
7-31	Audio Amplifier, Connection Diagram	7-135, 7-136	7-53	Oscillator Plug-in Board, Z601	7-177, 7-178
7-32	Beat Frequency Oscillator, Connection Diagram	7-137, 7-138	7-53A	Oscillator Plug-in Board Z601 (AN/SRR-13A)	7-177A, 7-178A
7-32A	Beat Frequency Oscillator, Connection Diagram (AN/SRR-13A)	7-137A, 7-138A	7-54	First I-F Plug-in Unit, Z701	7-179, 7-180
7-33	Crystal Calibrator, Connection Diagram, AN/SRR-11	7-139, 7-140	7-55	First I-F Plug-in Unit, Z801	7-181, 7-182
7-34	Crystal Calibrator, Connection Diagram, AN/SRR-12	7-141, 7-142	7-56	First I-F Plug-in Unit, Z901	7-183, 7-184
7-35	Crystal Calibrator, Connection Diagram, AN/SRR-13	7-143, 7-144	7-57	Second I-F Plug-in Unit, Z1004	7-185, 7-186
7-36	Power Supply, Connection Diagram	7-145, 7-146	7-58	Second I-F Plug-in Unit, Z1006	7-187, 7-188
7-37	Filter Assembly, Connection Diagram, AN/SRR-11	7-147, 7-148	7-59	Second I-F Plug-in Unit, Z1008	7-189, 7-190
7-38	Filter Assembly, Connection Diagram, AN/SRR-12 and -13	7-149, 7-150	7-60	Second I-F Plug-in Unit, Z1010	7-191, 7-192
7-39	Main Frame Connection Diagram, AN/SRR-11	7-151, 7-152	7-61	Second I-F Plug-in Unit, Z1012	7-193, 7-194
7-40	Main Frame Connection Diagram, AN/SRR-12	7-153, 7-154	7-62	Second I-F Plug-in Unit, Z1013	7-195, 7-196
7-41	Main Frame Connection Diagram, AN/SRR-13	7-155, 7-156	7-63	Second I-F Plug-in Unit, Z1014	7-197, 7-198
7-41A	Main Frame Connection Diagram, AN/SRR13A	7-155A, 7-156A	7-64	A-F Plug-in Unit, Z1101	7-199, 7-200
7-42	Antenna Plug-in Board, Z101	7-157, 7-158	7-65	A-F Plug-in Unit, Z1102	7-201, 7-202
7-43	Antenna Plug-in Board Z301	7-159, 7-160	7-66	A-F Plug-in Unit, Z1103	7-203, 7-204
7-44	Antenna Plug-in Board, Z501	7-161, 7-162	7-67	A-F Plug-in Unit, Z1104	7-205, 7-206
7-45	R-F Plug-in Board, Z126	7-163	7-68	A-F Plug-in Unit, Z1105	7-207, 7-208
7-46	R-F Plug-in Board, Z326	7-164	7-69	A-F Plug-in Unit, Z1106	7-209, 7-210
7-47	R-F Plug-in Board, Z526	7-165, 7-166	7-70	A-F Plug-in Unit, Z1107	7-211, 7-212
7-48	Mixer Plug-in Board, Z151	7-167, 7-168	7-71	A-F Plug-in Unit, Z1108	7-213, 7-214
7-49	Mixer Plug-in Board, Z351	7-169, 7-170	7-72	A-F Plug-in Unit, Z1109	7-215, 7-216
7-50	Mixer Plug-in Board, Z551	7-171, 7-172	7-73	Crystal Calibrator Plug-in Unit, Z1201	7-217, 7-218
			7-74	Crystal Calibrator Plug-in Unit, Z1202	7-219, 7-220
			7-75	Crystal Calibrator Plug-in Unit, Z1401	7-221, 7-222
			7-76	Crystal Calibrator Plug-in Unit, Z1402	7-223, 7-224
			7-77	Crystal Calibrator Plug-in Unit, Z1501	7-225, 7-226
			7-78	Crystal Calibrator Plug-in Unit, Z1502	7-227, 7-228
			7-79	Beat Frequency Oscillator Plug-in Unit, Z1302	7-229, 7-230

LIST OF TABLES

<i>Table</i>	<i>Title</i>	<i>Page</i>	<i>Table</i>	<i>Title</i>	<i>Page</i>
SECTION 1—GENERAL DESCRIPTION			SECTION 7—CORRECTIVE MAINTENANCE		
1-1	Equipment Supplied	1-5	7-1	List of Test Equipment Required for Trouble Shooting and Alignment of Radio Set AN/SRR-11, -12, -13	7-3
1-2	Equipment and Publications Required but not Supplied	1-6	7-2	Trouble Shooting Chart	7-6
1-3	Shipping Data	1-6	7-3	Stage Gain Measurements, AN/SRR-11, -12, -13	7-16
1-4	Basic Similarities in Radio Receiving Sets AN/SRR-11, -12, -13	1-7	7-4	Voltage and Resistance Measurements to Chassis Ground (AN/SRR-11, -12, -13)	7-52
1-5	Electron Tube Complement AN/SRR- 11	1-7	7-5	Tube Operating Voltages and Currents	7-58
1-6	Electron Tube Complement AN/SRR- 12	1-8	7-6	Rated Tube Characteristics	7-59
1-7	Electron Tube Complement AN/SRR- 13	1-8	7-7	Crystal Calibrator Alignment	7-67
SECTION 2—THEORY OF OPERATION			7-8	R-F Alignment Procedure, AN/SRR-11	7-73
2-1	Intermediate Frequency Relationships	2-8	7-9	R-F Alignment Procedure, AN/SRR-12	7-74
2-2	Reception Control Functions	2-19	7-10	R-F Alignment Procedure, AN/SRR-13	7-75
SECTION 3—INSTALLATION			7-11	Crystal Data	7-76
3-1	Cable Connectors and Functions	3-4	7-12	Winding Data	7-77
SECTION 5—OPERATOR'S MAINTENANCE			SECTION 8—PARTS LIST		
5-1	Routine Check Chart	5-2	8-1	Weights and Dimensions of Spare Parts Boxes	8-1
SECTION 6—PREVENTIVE MAINTENANCE			8-2	Shipping Weights and Dimensions of Spare Parts Boxes	8-1
6-1	Routine Maintenance Check Chart	6-2	8-3	List of Major Units	8-1
6-2	Sensitivity Data Radio Receiver AN/ SRR-11	6-4	8-4	Table of Replaceable Parts	8-2
6-3	Sensitivity Data Radio Receiver AN/ SRR-12	6-5	8-5	Maintenance Parts Kit	8-102
6-4	Sensitivity Data Radio Receiver AN/ SRR-13	6-5	8-6	Cross Reference Parts Lists	8-103
			8-7	Applicable Color Codes and Miscellane- ous Data	8-106
			8-8	List of Manufacturers	8-107

GUARANTEE

The equipment including all parts and spare parts, except vacuum tubes, batteries, rubber and material normally consumed in operation, is guaranteed for a period of one year from the date of delivery of the equipment to and acceptance by the Government with the understanding that all such items found to be defective as to material, workmanship or manufacture will be repaired or replaced, f.o.b. any point within the continental limits of the United States designated by the Government, without delay and at no expense to the Government, provided that such guarantee will not obligate the Contractor to make repair or replacement of any such defective items unless the defect appears within the aforementioned period and the Contractor is notified thereof in writing within a reasonable time and the defect is not the result of normal expected shelf life deterioration.

To the extent the equipment, including all parts and spare parts, as defined above is of the Contractor's design or is of a design selected by the Contractor, it is also guaranteed, subject to the foregoing condition, against defects in design with the understanding that if ten percent (10%) or more of any such said item, but not less than two of any such item, of the total quantity comprising such item furnished under the contract, are found to be defective as to design, such item will be conclusively presumed to be of defective design and subject to one hundred percent (100%) correction or replacement by a suitably redesigned item.

All such defective items will be subject to ultimate return to the Contractor. In view of the fact that normal activities of the Naval Service may result in the use of equipment in such remote portions of the world or under such conditions as to preclude the return of the defective items for repair or replacement without jeopardizing the integrity of Naval Communications, the exigencies of the Service therefore, may necessitate expeditious repair of such items in order to prevent extended interruption of communications. In such cases the return of the defective items for examination by the Contractor prior to repair or replacement will not be mandatory. The report of a responsible authority, including details of the conditions surrounding the failure, will be acceptable as a basis for effecting expeditious adjustment under the provisions of this contractual guarantee.

The above one year period will not include any portion of time the equipment fails to perform satisfactorily due to any such defects, and any items repaired or replaced by the Contractor will be guaranteed anew under this provision.

INSTALLATION RECORD

Contract Number NObsr-52014	Date of Contract, 31 August 1950
Contract Number NObsr-57134	
<i>Serial Number of equipment</i>	
<i>Date of acceptance by the Navy</i>	
<i>Date of delivery to contract destination</i>	
<i>Date of completion of installation</i>	
<i>Date placed in service</i>	

Blank spaces on this page shall be filled in at time of installation. Operating personnel shall also mark the "date placed in service" on the date of acceptance plate located below the model nameplate on the equipment, using suitable methods and care to avoid damaging the equipment.

REPORT OF FAILURE

Report of failure of any part of this equipment, during its entire service life, shall be made to the Bureau of Ships in accordance with current regulations using form NAVSHIPS NBS 383 (revised) except for Marine Corps equipment, in which case the "Signal Equipment Failure Report" form shall be used and distributed in accordance with instructions pertaining thereto. The report shall cover all details of the failure and give the date of installation of the equipment. For procedure in reporting failures see Chapter 67 of the *Bureau of Ships Manual* or superseding instructions.

ORDERING PARTS

All requests or requisitions for replacement material should include the following data:

1. Federal stock number or, when ordering from a Marine Corps or Signal Corps supply depot, the Signal Corps stock number.
2. Name and short description of part.

If the appropriate stock number is not available the following shall be specified:

1. Equipment model or type designation, circuit symbol, and item number.
2. Name of part and complete description.
3. Manufacturer's designation.
4. Contractor's drawing and part number.
5. JAN or Navy type number.

SAFETY NOTICE

The attention of officers and operating personnel is directed to Chapter 67 of the Bureau of Ships Manual or superseding instructions on the subject of radio-safety precautions to be observed.

This equipment employs voltages which are dangerous and may be fatal if contacted by operating personnel. Extreme caution should be exercised when working with the equipment.

While every practicable safety precaution has been incorporated in this equipment, the following rules must be strictly observed:

KEEP AWAY FROM LIVE CIRCUITS:

Operating personnel must at all times observe all safety regulations. Do not change tubes or make adjustments inside equipment with high voltage supply on. Under certain conditions dangerous potentials may exist in circuits with power controls in the off position due to charges retained by capacitors. To avoid casual-

ties always remove power and discharge and ground circuits prior to touching them.

DON'T SERVICE OR ADJUST ALONE:

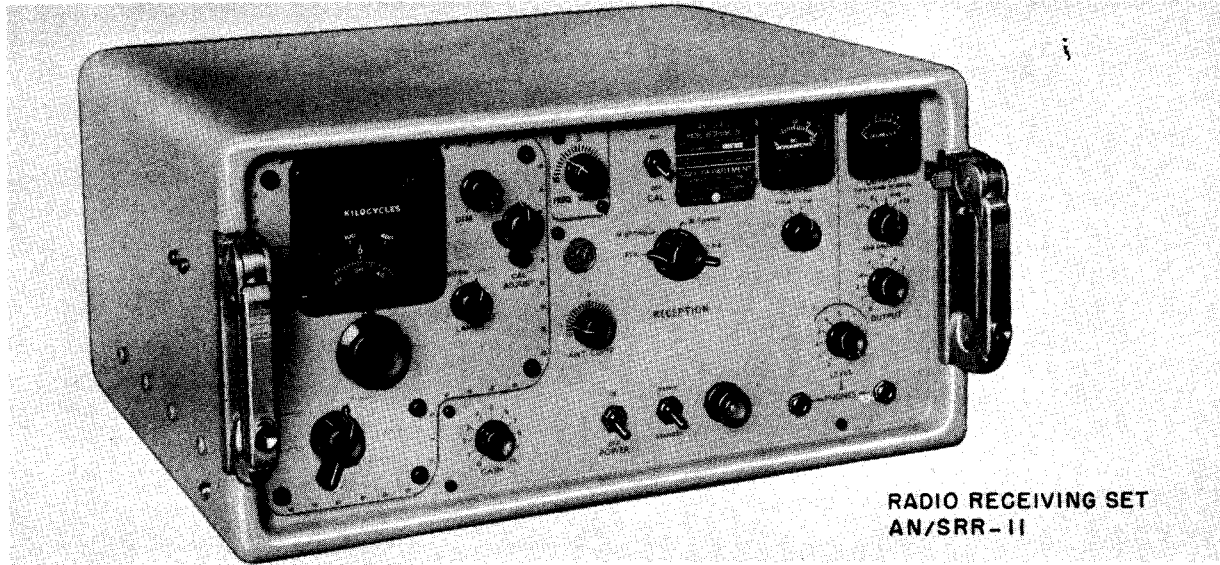
Under no circumstances should any person reach within or enter the enclosure for the purpose of servicing or adjusting the equipment without the immediate presence or assistance of another person capable of rendering aid.

DON'T TAMPER WITH INTERLOCKS:

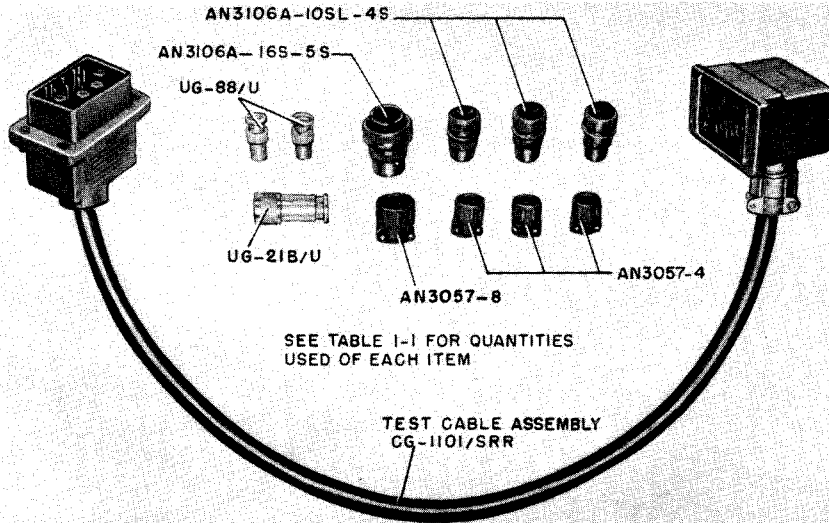
Do not depend upon door switches or interlocks for protection but always shut down motor generators or other power equipment. Under no circumstances should any access gate, door, or safety interlock switch be removed, short-circuited, or tampered with in any way, by other than authorized maintenance personnel, nor should reliance be placed upon the interlock switches for removing voltages from the equipment.

RESUSCITATION

AN APPROVED POSTER ILLUSTRATING THE RULES FOR RESUSCITATION BY THE PRONE PRESSURE METHOD SHALL BE PROMINENTLY DISPLAYED IN EACH RADIO, RADAR, OR SONAR ENCLOSURE. POSTERS MAY BE OBTAINED UPON REQUEST TO THE BUREAU OF MEDICINE AND SURGERY.



RADIO RECEIVING SET
AN/SRR-11



RADIO RECEIVING SET
AN/SRR-12 AND 13

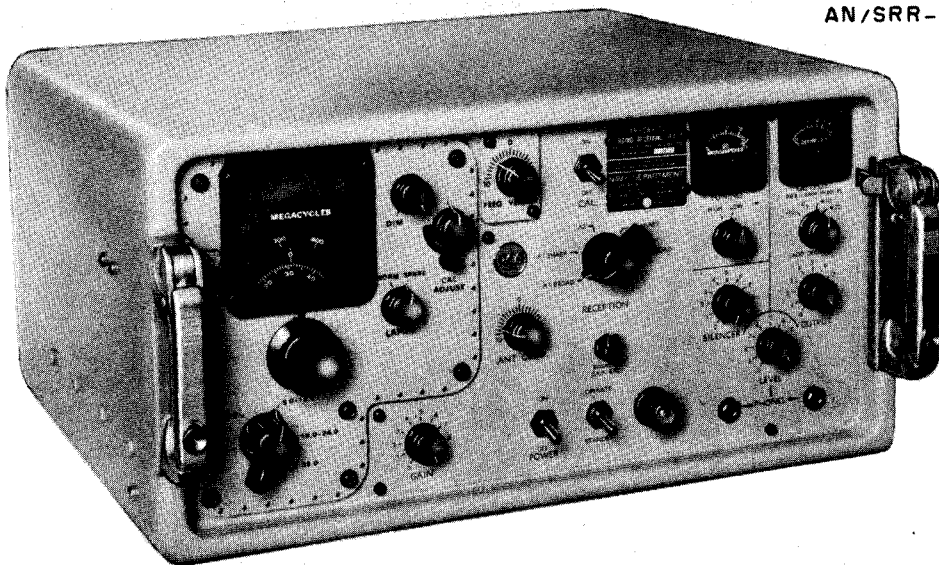


Figure 1-1. Radio Receivers AN/SRR-11, -12, -13

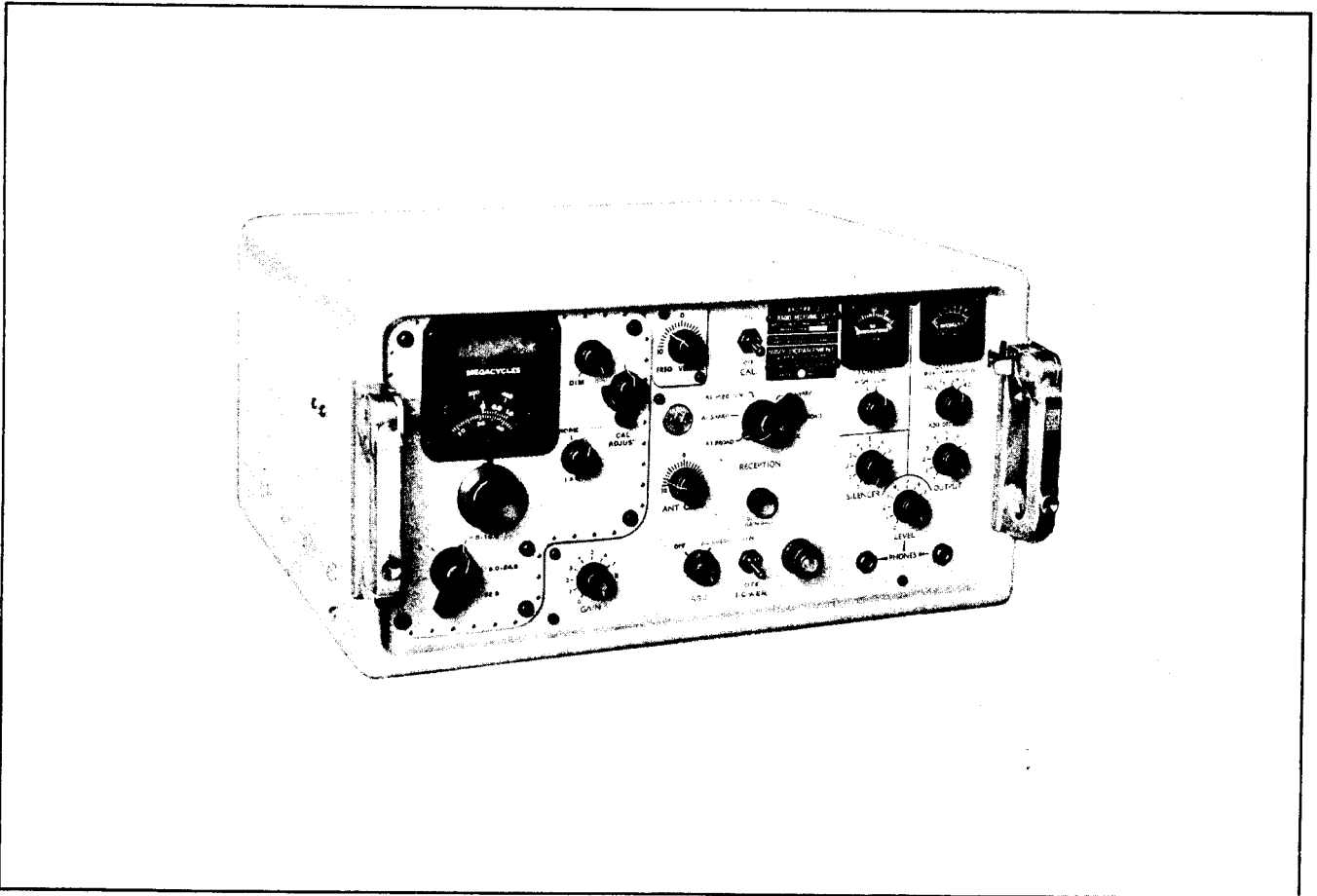


Figure 1-1 (cont). Radio Receiver AN/SRR-13A

SECTION 1

GENERAL DESCRIPTION

1. SCOPE OF THIS BOOK.

This Technical Manual covers Radio Receiving Sets AN/SRR-11, AN/SRR-12, AN/SRR-13, and AN/SRR-13A. All references made in this manual to Radio Receiving Set AN/SRR-13 apply also to Radio Receiving Set AN/SRR-13A unless otherwise specifically stated. Sections on theory, installation, operation, maintenance, and parts lists are included.

2. PURPOSE AND BASIC PRINCIPLES.

Radio Receiving Sets AN/SRR-11, -12, and -13 are designed for general application in all types of vessels of the U. S. Navy, and they cover all frequencies between 14 kilocycles and 32 megacycles. The receivers are supplied in three types, designated as low-, medium-, and high-frequency. Circuits are provided for the reception of four classes of emission in those receivers that cover frequencies on which these emissions are appropriate. The frequency range in each receiver is divided into five bands, throughout each of which continuous tuning is available.

The AN/SRR-11 is provided with circuits and switching to receive A1, A2, and frequency shift (F1) signals while the AN/SRR-12 and -13 equipments receive A1, A2, A3, and frequency shift signals.

The basic receiver represented by the AN/SRR-11, -12, and -13 is a double superheterodyne having two stages of r-f amplification ahead of the first mixer and oscillator. A first intermediate frequency amplifier (which is essentially the second converter) follows and its output is fed to the second i-f amplifier. Signals of A2 and A3 emissions are rectified in a diode detector. The diode detector is bypassed when the receiver is switched to CW, or frequency shift signal reception. Such signals are heterodyned in a beat frequency oscillator (BFO)-mixer stage with those from a beat frequency oscillator to produce a difference frequency in the audio range. A manual gain control or delayed automatic gain control (AGC) circuit (depending upon the setting of the reception control) is provided to reduce the gain of the r-f and second i-f amplifiers when strong signals are received.

Audio frequencies are amplified through a four-stage amplifier which feeds a balanced audio line and an unbalanced line for phone jack connections.

Circuits from the antenna stage through the first i-f amplifier differ in order to provide for optimum reception on the several bands of frequencies covered by the low-, medium-, and high-frequency receivers.

The second i-f, power supply, beat frequency oscillator, and audio amplifier are identical for the AN/SRR-11, -12, and -13 equipments. The AN/SRR-13A equipments are different and the differences are described where applicable.

A crystal-controlled calibrator circuit is incorporated in each receiver to provide crystal check points (at every 10 kilocycles throughout the tuning range of the AN/SRR-11, at every 50 kilocycles throughout the tuning range of the AN/SRR-12 and at every 200 kilocycles throughout the tuning range of the AN/SRR-13 receiver). These frequency check points are used in conjunction with the CAL ADJUST knob on the receiver front panel to calibrate the TUNING dial (projection dial).

External connections are furnished from the AN/SRR-12 and -13 equipments to provide an automatic gain control (AGC) voltage and connection to a common external diode load, so that these equipments may be operated with a companion receiver in a dual diversity reception system.

External connections are also furnished on the AN/SRR-11, -12 and -13 for feeding a frequency shift converter of the i-f or audio type. An additional external connection on the AN/SRR-12 and -13 is provided to supply i-f signals to a panoramic adapter.

3. DESCRIPTION OF RECEIVERS.

The AN/SRR-11, -12 and -13 receivers are designed for table-top mounting. Each is self-contained in a gray enamel metal case 17¼ inches wide, 8¾ inches high, 16¾ inches deep, and weighs approximately 69 pounds. All operating controls and switches, two meters (TUNING and OUTPUT), phone jack connectors and a main tuning dial assembly are mounted on the front panel. The receiver chassis is mounted on rails in the receiver cabinet and can be withdrawn and positioned 45 or 90 degrees (up or down) for ease in servicing. The chassis can also be removed from the cabinet.

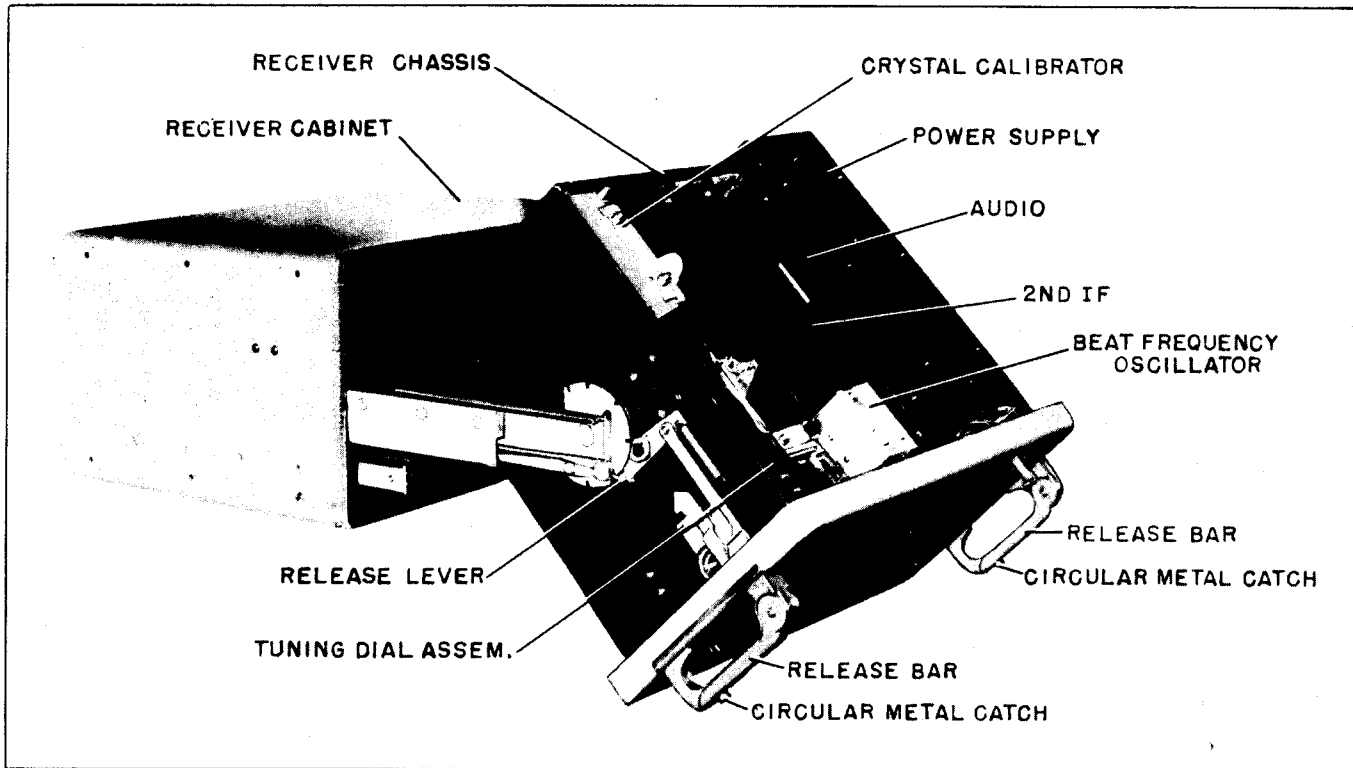


Figure 1-2. Chassis in Service Position, Top View

a. INPUT AND OUTPUT CONNECTIONS.—Input connections to and output connections from the receivers are made through either AN or coaxial plugs and receptacles mounted on the cabinet at the back of the receiver. Appropriate receptacles are supplied with each receiver for installation of cables. Cables must be fabricated in accordance with instructions given in Section 3 of this instruction book.

b. FILTER ASSEMBLIES.—Filters are provided for all input and output connections with exception of the antenna, detector and AGC connections. These filters are mounted on an assembly on the back wall of the receiver cabinet. Connections between the chassis and filter units are made through a multi-connector plug on the filter assembly which mates with a multi-connector socket mounted on the back of the chassis. All connections are broken when the chassis is pulled out of the cabinet. Two sleeves on the back of the chassis engage two guide pins on the back wall of the cabinet to insure that the multi-contact plug and socket line up when the chassis is pushed into the cabinet.

c. ASSEMBLIES AND SUB-ASSEMBLIES.—Compartmentalization of the receivers into assemblies, and sub-assemblies included within each assembly, is a feature in the construction of the AN/SRR-11, -12, and -13 receivers. Each major assembly is physically independent of the rest, and in cases where time is a factor in effecting repairs to the receivers, a defective assembly can be replaced quickly by a spare one. The assemblies are bolted to the chassis, and interconnections between assemblies are made by means of multiple-circuit connectors. All circuits to any assembly except the antenna, r-f, mixer, and oscillator assemblies are disconnected when the assembly is lifted from the chassis, and connected when the assembly is fitted into position. These particular assemblies employ a small number of screw connections for coaxial circuits, which must be disconnected before the particular assembly is removed.

Individual sub-assemblies are mounted within each assembly. These sub-assemblies consist of a sub-miniature electron tube and circuitry for one stage. The sub-assembly plugs into an appropriate socket of the assembly.

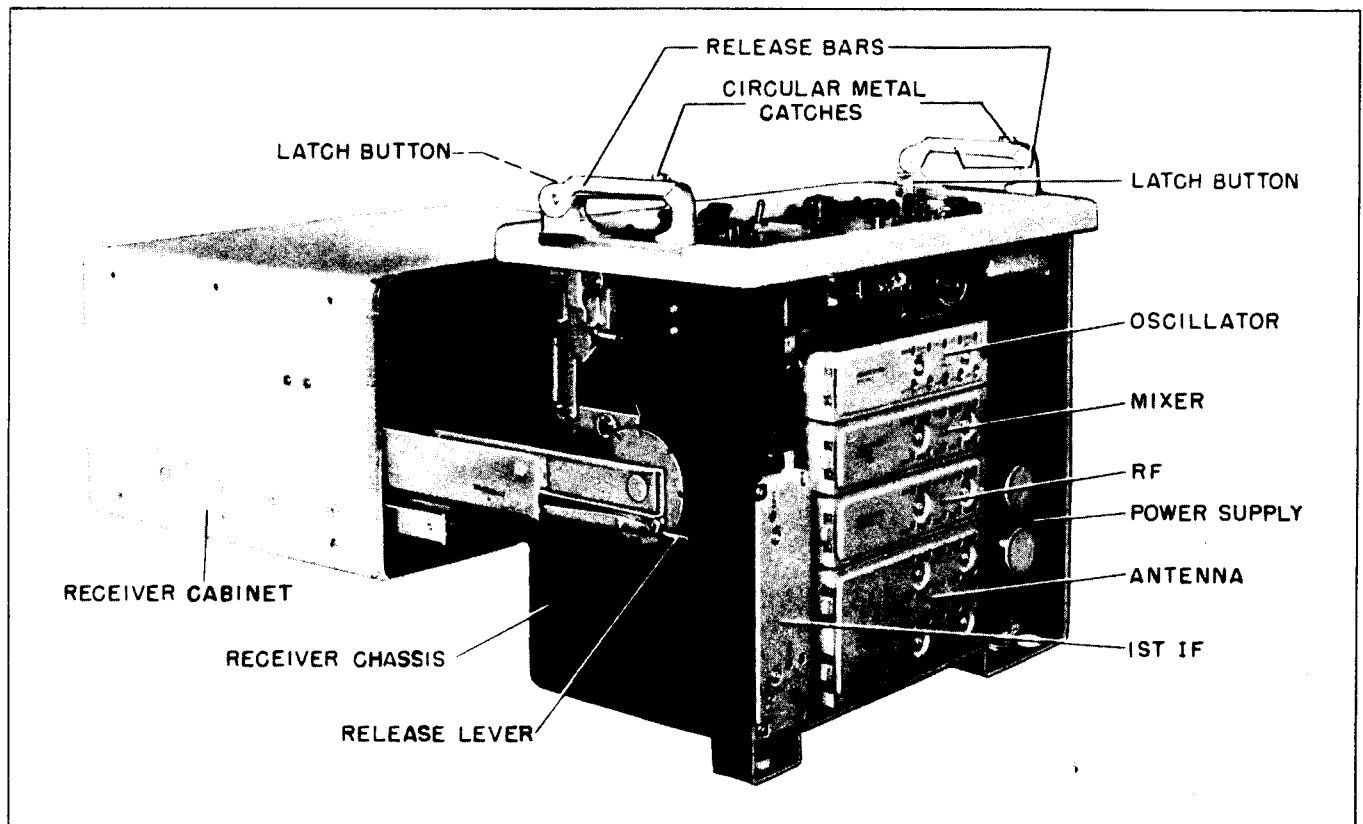


Figure 1-3. Chassis in Service Position, Bottom View

Two types of sub-assemblies (plug-in boards and plug-in units) are employed. The antenna, r-f, mixer, and oscillator assemblies employ the plug-in board type. The first i-f, second i-f, crystal calibrator, beat frequency oscillator, and audio assemblies employ the plug-in unit type. These types are pictured in figure 7-8.

d. ASSEMBLY LOCATIONS.—As shown in figure 1-3, the antenna preamplifier, r-f amplifier, oscillator, mixer, and first i-f assemblies are accessible from the bottom of the chassis after it has been removed from the cabinet. Figure 1-2 shows a top view of the chassis from which the second i-f, audio, beat frequency oscillator, crystal controlled calibrator assemblies and power supply are accessible.

e. CONTROLS.—All controls necessary for the operation of Radio Receiving Sets AN/SRR-11, -12, and -13 are brought out to the front panel. The functional name of each, with exception of the band selector and tuning dial, is marked on the front panel

near the control. Refer to Section 4 for a description of the function and use of each panel control.

f. TUNING DIAL.—The tuning dial consists of a rectangular translucent screen onto which the received frequency is projected from an assembly behind the tuning dial. Any one of five bands of frequencies can be selected by the band selector. A portion of the band chosen appears on the screen. The frequency to which the receiver is tuned appears under the hair-line index in the middle of the translucent screen. A logging dial, located below the screen, is also provided.

g. METERS.—Two meters are provided on the front panel of the AN/SRR-11, -12, and -13 receivers, a TUNING meter and an OUTPUT meter.

4. REFERENCE DATA.

a. Equipment designation:

- (1) Radio Receiving Set AN/SRR-11 (ship-board low-frequency receiver)
- (2) Radio Receiving Set AN/SRR-12 (ship-board medium frequency receiver)

1 Section
Paragraph 4a

NAVSHIPS 91875(A)

AN/SRR-11, -12, -13
GENERAL DESCRIPTION

(3) Radio Receiving Set AN/SRR-13 (ship-board high-frequency receiver)

b. Contract numbers: NObsr-52014, date 31 August 1950; and NObsr-57134, date 19 December 1951 (Letter Contract)

c. Contractor: Radio Corporation of America, RCA Victor Division, Camden, New Jersey

d. Cognizant Inspector: Inspector of Naval Material, Camden, New Jersey

e. Number of packages per complete shipment: 1

f. Total cubic content (approximate):

MODEL	CRATED	UNCRATED
AN/SRR-11	5.7 cu. ft.	1.5 cu. ft.
AN/SRR-12	5.7 cu. ft.	1.5 cu. ft.
AN/SRR-13*	5.7 cu. ft.	1.5 cu. ft.

* Also for AN/SRR-13A.

g. Frequency ranges:

AN/SRR-11—14 to 600 kilocycles

AN/SRR-12—0.25 to 8 megacycles

AN/SRR-13—2 to 32 megacycles

b. Tuning bands and range of each band:

BAND	LOW-FREQ. RECEIVER AN/SRR-11	MEDIUM-FREQ. RECEIVER AN/SRR-12	HIGH-FREQ. RECEIVER AN/SRR-13
BAND 1	14 to 30 kc	0.25 to 0.5 mc	2.0 to 4.0 mc
BAND 2	30 to 63 kc	0.5 to 1.0 mc	4.0 to 8.0 mc
BAND 3	63 to 133 kc	1.0 to 2.0 mc	8.0 to 16 mc
BAND 4	133 to 283 kc	2.0 to 4.0 mc	16 to 24 mc
BAND 5	283 to 600 kc	4.0 to 8.0 mc	24 to 32 mc

i. Power supply: 105, 115 or 125 volts; 50-60 or 400 cycles; 0.85 ampere.

j. Power factor for a-c operation: 90%

k. Input impedance to antenna preamplifier:

(1) For low-impedance position of links, 70 ohms

(2) For high-impedance position of links:

(a) On AN/SRR-11, an antenna with a capacity of from 30 to 5000 micro-microfarads (200 nominal).

(b) On AN/SRR-12 and -13, an antenna equivalent to the standard RMA dummy antenna consisting of: 20-microhenry inductance in shunt with a series combination of a 400-micro-microfarad capacitor and a 400-ohm resistor, the entire combination being in series with a 200-micro-microfarad capacitor.

l. Intermediate frequency (kilocycles)

MODEL	BAND				
	1	2	3	4	5
AN/SRR-11	60 and 200	200*	200*	60 and 200	200*
AN/SRR-12	200*	200*	200*	1600 and 200	1600 and 200
AN/SRR-13	1600 and 200	1600 and 200	1600 and 200	1600 and 200	1600 and 200

* Where the first frequency conversion gives a 200-kc frequency, the second conversion circuit is bypassed.

m. Silencer diode operates on A3 signals. Threshold control range 1 to 15,000 microvolts carrier level.

n. Receiver sensitivity: (Reception control set to A1 BROAD).

- (1) AN SRR-11
 - 14 to 18 kc—8 microvolts or better.
 - 18 to 100 kc—5 microvolts or better.
 - 100 to 600 kc—3.5 microvolts or better.
- (2) AN/SRR-12
 - 0.250 to 8.0 mc—5 microvolts or better.
- (3) AN SRR-13
 - 2 to 16 mc—6 microvolts or better.
 - 16 to 32 mc—10 microvolts or better.

TABLE 1-1. EQUIPMENT SUPPLIED

RADIO RECEIVING SET AN/SRR-11								
QUANTITY PER EQUIPMENT	ITEM	DESCRIPTION	DESIGNATION	OVERALL DIMENSIONS (INCHES)			VOLUME CU. FT.	WEIGHT LB.
				HEIGHT	WIDTH	DEPTH		
1	1	Radio Receiver, including tubes and crystal in place.	R439/SRR-11					
1	2	Set of connectors, clamps and cable comprising: (A) 1 Connector (B) 2 Connectors (C) 1 Connector (D) 1 Connector (E) 2 Clamps, cable (F) 1 Clamp, cable (G) 1 Test Cable Assembly	AN3106A-16S-5S AN3106A-10SL-4S UG-88/U UG-21B/U AN3057-4 AN3057-8 CG-1101/SRR					
2	3	Instruction Books	NAVSHIPS 91875(A)					

RADIO RECEIVING SET AN/SRR-12, -13								
QUANTITY PER EQUIPMENT	ITEM	DESCRIPTION	DESIGNATION	OVERALL DIMENSIONS (INCHES)			VOLUME CU. FT.	WEIGHT LB.
				HEIGHT	WIDTH	DEPTH		
1	1	Radio Receiver, including tubes and crystal in place.	R440/SRR-12 R441/SRR-13					
1	2	Set of connectors, clamps and cable comprising: (A) 1 Connector (B) 3 Connectors (C) 2 Connectors (D) 1 Connector (E) 3 Clamps, cable (F) 1 Clamp, cable (G) 1 Test Cable Assembly	AN3106A-16S-5S AN3106A-10SL-4S UG-88/U UG-21B/U AN3057-4 AN3057-8 CG-1101/SRR					
2	3	Instruction Books	NAVSHIPS 91875(A)					

TABLE 1-2. EQUIPMENT AND PUBLICATIONS REQUIRED BUT NOT SUPPLIED

QUAN. PER EQUIP.	NAME OF UNIT	NAVY DESIGNATION	REQUIRED USE	REQUIRED CHARACTERISTIC
1 or 2 as required	Headset	49507 or equivalent		600 ohms (nominal)
1 or 2 as required	Loudspeaker Amplifier	AM-215/U or equivalent		600 ohms (nominal)
1	Frequency Shift Converter, Audio type	CV-60/URR or equivalent	Teletype Frequency shift	600 ohms input (nominal)

TABLE 1-3. SHIPPING DATA

SHIPPING BOX NO.	CONTENTS		OVERALL DIMENSIONS			VOLUME	WEIGHT
	NAME	DESIGNATION	HEIGHT	WIDTH	DEPTH		

Unless otherwise stated, dimensions are inches, volume cubic feet, weight pounds.

**TABLE 1-4. BASIC SIMILARITIES IN RADIO RECEIVING SETS
AN/SRR-11, -12, -13.**

MODEL	FREQUENCY COVERED	TYPE OF EMISSION RECEIVED	POWER SOURCE	MECHANICAL DESIGN	REMARKS
AN/SRR-11	14 to 600 kc	A1, A2, F1	105, 115 or 125 volts 50-60 or 400 cycles	Metal case, table-top mounted	Intended for low-frequency shipboard communication service
AN/SRR-12	0.25 to 8 mc	A1, A2, A3, F1	105, 115 or 125 volts 50-60 or 400 cycles	Metal case, table-top mounted	Intended for medium-frequency shipboard communication service
AN/SRR-13	2 to 32 mc	A1, A2*, A3, F1	105, 115 or 125 volts 50-60 or 400 cycles	Metal case, table-top mounted	Intended for high-frequency shipboard communication service

* AN/SRR-13A equipments do not have A2 position on RECEPTION control. For A2 reception on AN/SRR-13A set RECEPTION control to A3 and turn AGC to OFF.

TABLE 1-5. ELECTRON TUBE COMPLEMENT AN/SRR-11

CIRCUIT	-5636	-5644	-5647	-5718	-5719	-5840	-5899	-5902	-6X4	1N69	1N458	TOTAL NO. OF TUBES
Antenna Preamp.							1					1
R-F Amp.							1					1
Mixer	1											1
Local Oscillator						1						1
1st I-F	1											1
2nd I-F	1		2*	1			3			1		8
Audio Amp.			4**	2	2			1				9
BFO						1						1
Crystal Controlled Calibrator	1			1								2
Power Supply		1							2			3
Total Number of Each Type for Serial Nos. below 1275	4	1	6	4	2	2	5	1	2	1		28
Total Number of Each Type for Serial Nos. above 1275	4	1	1	4	2	2	5	1	2	1	5	28

* On equipments bearing serial nos. 1275 and up, 1 type 5647 tube is used and 1 type 1N458 crystal diode.

** On equipments bearing serial nos. 1275 and up, 4 type 1N458 crystal diodes are used.

TABLE 1-6. ELECTRON TUBE COMPLEMENT AN/SRR-12

CIRCUIT	-5636	-5644	-5647	-5718	-5719	-5840	-5899	-5902	-6X4	1N69	TOTAL NO. OF TUBES
Antenna Preamp.							1				1
R-F Amp.							1				1
Mixer	1			1							2
Oscillator						1					1
1st I-F	1										1
2nd I-F	1		2	1			3			1	8
Audio Amp.			4	2	2			1			9
BFO						1					1
Crystal Controlled Calibrator				2							2
Power Supply		1							2		3
Total Number of each Type	3	1	6	6	2	2	5	1	2	1	29

TABLE 1-7. ELECTRON TUBE COMPLEMENT AN/SRR-13

CIRCUIT	-5636	-5644	-5647	-5718	-5719	-5840	-5899	-5902	-6X4	1N69	1N458	TOTAL NO. OF TUBES
Antenna							1					1
R-F Amp.							1					1
Mixer	1			1								2
Local Oscillator*						1*						1
1st I-F	1											1
2nd I-F	1		2***	1			3			1		8
Audio Amp.			4**	2	2			1				9
BFO						1						1
Crystal Controlled Calibrator				2								2
Power Supply		1							2			3
Total Number of Each Type for AN/SRR-13 Serial Nos. below 574	3	1	6	6	2	2	5	1	2	1		29
Total Number of Each Type for AN/SRR-13A Serial Nos. below 1431	3	1	6	7	2	1	5	1	2	1		29
Total Number of Each Type for AN/SRR-13A Serial Nos. above 1431	3	1	1	7	2	1	5	1	2	1	5	29

* AN/SRR-13A equipments use type 5718 triode.

AN/SRR-13 equipments bearing serial nos. 574 and up use type 5718 triode.

** AN/SRR-13A equipments bearing serial nos. 1431 and up use 4 type 1N458 crystal diodes in lieu of 4 type 5647 tubes.

*** AN/SRR-13A equipments bearing serial nos. 1431 and up use 1 type 5647 tube and 1 type 1N458 crystal diode.

NOTE

The following changes were made on Radio Receiving Sets AN/SRR-11 (bearing serial numbers 1276 and up) and AN/SRR-13A (bearing serial numbers 1431 and up).

Five of the type 5647 tubes (one in the second i-f assembly and four in the audio assembly) have been replaced with type 1N458 crystal diodes. The specific tube symbols affected, the Z number of the associated sub-assembly, and the corresponding assembly are given in the table which follows:

TUBE SYMBOL	ASSEMBLY	SUB-ASSEMBLY	TUBE FUNCTION
V1005	2nd IF	Z1012	Detector
V1101	Audio	Z1101	Noise Limiter
V1103	Audio	Z1103	Silencer
V1106	Audio	Z1106	Limiter
V1107	Audio	Z1107	Limiter

The crystal diodes bear the same V-symbol numbers as the electron tubes they replace. Plug-in units having electron tubes are interchangeable with plug-in units having crystal diodes. The crystal diodes and the tubes are also interchangeable.

SECTION 2

THEORY OF OPERATION

1. GENERAL DESCRIPTION.

Radio Receiving Sets AN/SRR-11, AN/SRR-12, AN/SRR-13, are discussed with reference to schematic diagrams, figures 7-12 through 7-14, and functional block diagrams, figures 2-8 through 2-10. Other diagrams will be referred to in the text as required for an understanding of the functioning of the circuits.

This introductory paragraph is intended to describe the signal channels through the receiver, from the r-f input to the final audio-frequency output. Individual stages thus will be shown in their mutual functional relationship within the system. A more detailed discussion of these individual stages is given in the subsequent paragraphs of this section.

The general features and frequency coverage of these Radio Receiving Sets were described in Section 1 of this instruction book and are not repeated here. Essentially, the sets are superheterodyne receivers employing dual conversion (on some frequency bands they operate with single conversion). Referring to the above mentioned diagrams, the r-f signal is applied to the equipment through the ANT connector J1707 of the AN/SRR-11 or J1807 of the AN/SRR-12, and -13. From there the signal passes through the stages listed below (each stage listed is followed by a reference to a later paragraph, in which it is described in greater detail):

a. Antenna preamplifier, V101, V301, or V501 (see paragraph 2*b*) depending on the equipment considered, and r-f amplifier, V126, V326, or V526, (see paragraph 2*c*).

b. The signal is now applied to a mixer, V151, V351, or V551 (see paragraph 2*d*) in which it is combined with the output of a local oscillator, V201, V401, or V601 (see paragraph 2*e*).

c. The output of the mixer has a frequency of 60, 200, or 1600 kc, depending on the receiver type and band of frequencies selected.

(1) When the mixer output has a frequency of either 60 or 1600 kc (see paragraph 2*f*), it passes

through a band-pass filter Z702, Z802, or Z902 and is applied to a first i-f stage where it is converted to a frequency of 200 kc. This is achieved in a dual-purpose tube, V701, V801, V901, which operates both as a crystal-controlled heterodyning oscillator and as a mixer (see paragraph 2*g*).

(2) When the output of the mixer, V151 or V351, already has a frequency of 200 kc, the first i-f stage is bypassed.

d. The 200-kc signal output of either the mixer V151, V351, V551, or the first i-f stage V701, V801, V901 is now passed through suitable filters (see paragraph 2*b*(1)) on the second i-f assembly (see paragraph 2*h*(2)) which includes three stages of 200-kc amplification, V1001, V1002, and V1003. The output of V1003 is handled differently, depending on the kind of signals being received.

(1) For A1 or F1 signal reception, the output of V1003 is applied to a mixer stage, V1004, which also receives a heterodyning signal from a beat-frequency oscillator, V1301 (see paragraph 2*b*(4) and 2*i*). The difference-frequency output of the BFO mixer then goes to the audio amplifier assembly.

(2) For A2 or A3 signal reception, the output of V1003 is applied to a diode detector, V1005. On Radio Sets AN/SRR-12 and -13, V1005 is associated with a delayed automatic gain control (AGC) circuit, V1006 (see paragraph 2*b*(5)). This AGC circuit serves to bias the r-f band and i-f stages when strong A3 and F1 signals are received. AN/SRR-13A equipments are provided with an AGC, NORM-OFF switch. In the OFF position of this switch AGC is rendered inoperative. The diode detector feeds into the audio amplifier assembly. Associated with the diode detector is a tuning indicator, M251 (see paragraph 2*b*(3)).

e. Audio-frequency amplification of the signals (see paragraph 2*j*) is provided by tubes V1102, V1105, V1108, V1109, the latter tube feeding into the output transformer T1101. This transformer matches the output stage to a balanced line and phone connection.

Interference is reduced by a noise peak limiter V1101 (see paragraph 2*j*(1)). A silencer diode, V1103 (see paragraph 2*j*(2)) and d-c amplifier V1104, used on the AN/SRR-12 and AN/SRR-13 only, permits the receiver to be made inactive on A3 reception

when no signals are being received. Amplitude limiters, V1106 and V1107, tend to maintain uniform output level on A1 or A2 reception (see paragraph 2j(3)).

f. A crystal-controlled calibrator, V1401, V1501, or V1201 (see paragraph 2n), permits the calibration of the main tuning dial to be checked throughout the tuning range at points 10 kc, 50 kc, and 200 kc apart on the AN/SRR-11, -12, and -13, respectively.

g. Other features of the receivers are merely mentioned here, being described in detail in the paragraphs indicated:

- Output Meter, paragraph 2k
- Power Supply, paragraph 2l
- Filter Assembly, paragraph 2m
- Band Selector, paragraph 2o
- Reception Control, paragraph 2p
- Tuning Dial Assembly, paragraph 2q.

b. Cathode-follower outputs are provided for operation of an external panoramic (on AN/SRR-12 and -13 only) equipment and for an external i-f frequency shift converter. External detector and AGC line outputs are provided for diversity operation of Radio Receiving Sets AN/SRR-12 and -13.

2. CIRCUIT DESCRIPTION.

The radio receiving sets described by this instruction book are similar in design. However, modifications are made in the three types to conform with operating needs throughout the frequencies covered by each.

a. HOW TO READ SCHEMATICS.—Schematic diagrams (figures 7-12 through 7-14) are included at the end of section 7. These diagrams are divided into two sheets for each receiver. Sheet 1 contains the antenna, r-f, mixer, oscillator, first i-f, and crystal calibrator assemblies. Sheet 2 contains the second i-f, audio, beat frequency oscillator, power supply, and filter assemblies. Front panel controls are also shown in sheet 2 of the schematic diagrams. Description of physical make-up of the assemblies and sub-assemblies is given in paragraph 3c of Section 1.

(1) ASSEMBLIES.—On the schematic diagrams each assembly is outlined by dashed lines, all parts contained within the dashed lines, belong to that assembly.

(2) SUB-ASSEMBLIES.—The sub-assemblies contained in each assembly are outlined in dotted lines or in dot-dash lines and are symbolized by Z numbers. All parts contained within these lines belong to that

assembly. The dotted lines refer to plug-in units and the dot-dashed lines refer to plug-in boards.

(3) WAFER SWITCHES.

(a) BAND SELECTOR SWITCHES.—The band switch wafers are all shown on sheet 1 of the schematic diagrams. They are controlled by the five-position band selector located on the front of the tuning unit. The wafers are all linked mechanically and this is shown by dotted lines on the schematic diagrams. These switches are shown in band I position of the band selector.

To circuit-trace the schematic in the band II position of the band switch, rotate each arrow representing a switch arm, in all the wafer switches shown on sheet 1 of the schematic diagrams by one position in the direction of the arrow shown outside of each wafer switch. Use the same procedure for any of five bands, rotating the switch by a number of positions corresponding to the desired band.

(b) RECEPTION CONTROL.—The RECEPTION control switch wafers are shown on sheet 2 of the schematic diagrams. They are controlled by the RECEPTION control located on the front panel of the receiver. The wafers are all linked mechanically. This is shown by dotted lines on the schematic diagram. This control is a four-position switch on the AN/SRR-11, and a six-position switch on the AN/SRR-12 and -13. The wafers are shown in the FSK position of the RECEPTION control on the AN/SRR-11 and in the A1 BROAD position of the RECEPTION control of the AN/SRR-12 and -13.

To circuit-trace the schematic in any of the other positions of the RECEPTION control, follow the procedure given for the band switch in the preceding paragraph. A knob (labeled RECEPTION) and shown with associated positions is located on sheet 2 of the schematic diagrams. This knob is shown mechanically linked to the reception control wafers. Note that the second i-f, BFO, and audio assemblies are the same on all three types of receivers. The wafers of the RECEPTION control therefore have seven possible positions on the schematic diagram (sheet 2) of the three receivers. Only the first four of these positions are used in the AN/SRR-11 receiver (corresponding to FSK, A1 BROAD, A1 SHARP, and A2 reception, respectively) while the last six of these positions are used in the AN/SRR-12 and -13 receivers (corresponding to A1 BROAD, A1 SHARP, A2, A3 SHARP, A3 BROAD, and FSK reception respectively). On AN/SRR-13A equipments position A2 is replaced with A1 MEDIUM. Note that in the seventh position the switch arms of the wafers having three common segments, make contact with the succeeding fixed segment.

(4) INPUT HI-LO, OUTPUT HI-LO.—In the antenna, r-f, and mixer stages, the leads designated as the OUTPUT HI connect the plate of that stage to the INPUT HI lead of the succeeding stage, whereas leads designated as OUTPUT LO connect the plate return of that stage to the INPUT LO lead of the succeeding stage. The leads designated as INPUT HI on the schematic diagram connect to the high side of the appropriate transformers as selected by the band selector, whereas the leads designated as INPUT LO connect to the low side of the appropriate transformer.

b. ANTENNA PREAMPLIFIER.—The antenna preamplifier stages for the AN/SRR-11, -12, and -13 are described separately.

(1) ANTENNA PREAMPLIFIER (AN/SRR-11).—Refer to figure 7-12. The input circuit of the antenna preamplifier will accommodate antennas with a wide variation of capacity (from 30 to 5000 micro-microfarad with 200 micromicrofarad nominal). Links O101 and O102 (see figures 3-7, 3-8, and 3-9) are provided to match the antenna transformers (T101 through T105) to either a high- or low-impedance input. The transformers are selected by the setting of switch S101 which is controlled by the band selector. The antenna is connected across the primary of one of the transformers when links O101 and O102 are set in the low-impedance position, also a 220-mmf capacitor, C106 is connected between a tap and the low side of the secondary to maintain tuning. When these links are set in the high-impedance position, the antenna is connected between a tap and the low side of the appropriate transformer secondary winding. Resistors R101 to R105 are provided to reduce the response at input circuit resonance. The high side of the secondary is connected to grid 1 of V101, through S101A.

The antenna section of the tuning-gang capacitor, C251D at terminals E101 and E102, is shunted across the secondary of one of the five transformers, as determined by the setting of S101A. A section of switch S101B shorts certain unused coils to prevent absorption of signal in the band in use.

Inductance of the secondaries in transformers T101 through T105 is varied by means of powdered iron cores. The core of each circuit is brought to screw-driver adjustments at points shown in figures 7-8 and 7-9a. Trimmer C103 compensates for changes in antenna capacity. This capacitor is adjusted by the ANT COMP control on the front panel.

Capacitor C102 is connected in series in the antenna input lead to accommodate high-capacity antennas. Microswitch S102, which is operated by a cam on the

shaft of the ANT COMP control, is closed for 180 degrees of rotation of the control designated LOW, and C102 is out of the circuit. In this case the primary circuit capacity is that of the antenna. The switch is open for the second 180 degrees rotation of the ANT COMP designated HIGH and C102 is in the circuit. In this case the primary circuit capacity is less than that of the antenna by virtue of the series capacitor.

R-f signals from the selected tuned circuit are amplified in V101. The r-f section of the GAIN control, R-251A (shown on sheet 2 of figure 7-9) is connected in series with L251 (of filter board E253) and the cathode bias resistor, R108, at terminal J101F, capacitor C253 of board E253 is connected across R251A and L251 to form with these a smoothing filter to reduce r-f currents in the gain control circuit. The potentiometer R251A provides variable bias for controlling gain through V101 (and V126, r-f amplifier, as will be covered in a later paragraph). Output from V101 is fed to the r-f stage of the AN/SRR-11 receiver through terminals J101L and J101K.

(2) ANTENNA PREAMPLIFIER (AN/SRR-12).—Refer to figure 7-13. The input circuit of the antenna preamplifier accommodates a low- or high-impedance antenna. When link O302 (see figures 3-8 and 3-10) is set in the high-impedance position, the full primary of one of five transformers (T301 through T305) is connected across the input circuit. A tap and one side of the primary on the appropriate transformer are connected across the input circuit when link O302 is in the low-impedance position. Each of these transformers has a primary winding, a secondary winding, and is coupled to an associated coil L301 through L305. The proper transformer primary and secondary windings are selected by S302A and S302B which are controlled by the band selector. Sections of these switches also shunt out certain unused primaries and secondaries of the transformers to prevent absorption. The band switch also controls S301 which selects the appropriate output coil and shorts out the output coils of the unused transformers.

The receiver should be isolated from a second receiver, if the two are to be operated from a common antenna, by the setting of link O301 (see figures 3-8 and 3-10). This link connects a resistor-capacitor combination R304-C322 in series with the antenna lead for this operating condition to prevent the impedance of the input circuit from becoming too low and effectively shorting the input of the companion receiver.

Two parallel-resonant circuits are incorporated in the antenna preamplifier stage of the AN/SRR-12 to

provide greater selectivity than a single circuit would provide. This affords added protection against the effects of strong signals such as cross modulation. The first of these circuits includes the secondary of one of five transformers T301 through T305 associated fixed capacitors, section C451D of the tuning capacitor, and the ANT COMP capacitor C-456; the second resonant circuit includes one of the five output coils L301 through L305, section C451E of the tuning capacitor, and associated fixed and trimmer capacitors.

Inductance of the first tuned circuit and both inductance and capacity of the trimmers, are varied by the screwdriver adjustments shown in Figures 7-8 and 7-9b. C451D and C451E are varied by the front panel tuning knob. Trimmer C456 allows for adjustment of the circuits for changes in antenna impedance. The capacitor is adjusted by the ANT COMP control on the front panel.

Signals are amplified in V301 and fed to the r-f stage through terminals J301L and K. The r-f section of the GAIN control, R-451A, provides a variable bias for controlling gain through V-301 (and V302, r-f amplifier, as described in a later paragraph). R451A is connected in series with L451 and cathode resistor R302. C453 is connected across the series network of L451 and R451A. This filter arrangement reduces r-f currents in the gain control circuit. L451 and C453 are located on filter board E453. An alternate AGC bias voltage is applied to the control grid of V301 via J301D to adjust the gain of the antenna preamplifier stage when the RECEPTION control is set to receive A3 and F1 signals. See paragraph 2b(5) for discussion of the AGC system.

(3) ANTENNA PREAMPLIFIER (AN/SRR-13).—Refer to figure 7-14. The input circuit accommodates a low- or high-impedance position, the full primary of one of the five transformers (T501 through T505) is connected in the input circuit. A tap and one side of the primary are connected in the input circuit when the link is in the low-impedance position. Each of these transformers has a primary winding, a secondary winding, and is coupled to an associated coil L501 through L505. Transformer primary and secondary windings are selected by S502A and S502B which are controlled by the band selector. The band selector also controls S501, which selects the appropriate coil and shorts out the unused coils and transformers.

The receiver should be isolated from a second receiver if two are to be operated from a common antenna by the setting of link O501 (see figures 3-8 and 3-10). This link connects a resistor-capacitor

combination R505-C524 in series with the antenna lead to prevent the impedance of the input circuit from becoming too low and effectively shorting the input of the companion receiver.

Two parallel-resonant circuits are incorporated to provide greater selectivity. The first of these circuits includes the secondary winding of one of five transformers T501 through T505, associated fixed capacitors, section C651E of the tuning capacitor, and the ANT COMP capacitor C656; the second resonant circuit includes one of the five output coils L501 through L505, section C651D of the tuning capacitor, and associated fixed and trimmer capacitors. The inductance of the first tuned circuit and the inductance and capacitance of the trimmers in the second, are varied by the screwdriver adjustments shown in figures 7-8 and 7-9c. C651E and C651D are varied by the tuning knob on the front panel.

Signals are amplified in V501 and fed to the r-f stage through terminals J501L and J501K. The r-f section of GAIN control, R651A, provides a variable cathode bias to control the gain of V501 (and V526, r-f amplifier, as will be described in a later paragraph). R651A is connected in series with L651 and C653 is connected across this series network. This filter arrangement reduces r-f currents in the gain control circuit. L651 and C653 are located on filter board E653. An alternate AGC bias voltage is applied to the control grid of V501 through J501D, to adjust the gain when the RECEPTION control is set to receive A3 or F1 signals. See paragraph 2b(5) for discussion of the AGC system.

c. R-F AMPLIFIER.—Three different r-f amplifier circuits are used in the AN/SRR-11, -12, -13 receivers, and they will be discussed separately.

(1) R-F AMPLIFIER (AN/SRR-11).—Refer to figure 7-12. Output from the antenna preamplifier V101 is applied across the primary winding of T126, T127, T128, T129, or T130 by the setting of a portion of S126A, controlled by the band selector, through terminals J101K and L, and J126B and J126C. The r-f section of the gang-tuning capacitor, C251C, is shunted across the secondary of the selected transformer to adjust the tuning of the transformer to the desired frequency.

Fixed capacitors and a trimmer connected across the secondary of each transformer, together with the r-f capacitor tuning, resonate with the secondary coil to provide continuous tuning over the frequency band. R-f voltages are taken off the tap on the appropriate secondary through a portion of S126A and fed to the control grid (pin 1) of the r-f amplifier tube V126. Switch S126B shorts certain unused primaries and

secondaries to prevent absorption of the signal on the band in use.

The coils and trimmers can be adjusted by means of screwdriver at points shown in figures 7-8 and 7-9a.

Signals are amplified in V126 and applied to the mixer stage V151 through terminals J126K and L and J151B and J151C. The r-f GAIN control, R251A (see figure 7-12, sheet 2) is connected in series with the cathode (pin 2) of V126 to vary the bias and control the gain.

The r-f section of the GAIN control, R251A, as was described previously is connected to the cathode circuits of the antenna preamplifier stage, V101, and the r-f stage, V126. Under conditions of strong r-f signals, when R251A is set to reduce the gain appreciably, the antenna preamplifier may develop sufficient bias voltage across the GAIN control, R251A, to cut off the r-f amplifier. For this reason a voltage divider network (R129 and R130) is provided to apply a portion of the cathode bias voltage developed across the GAIN control, R251A, to the control grid (pin 1) circuit of the r-f amplifier (V126). This positive bias voltage applied to the control grid circuit of the r-f amplifier, V126, prevents its being cut off by the above described strong r-f signals.

Resistor R126 and capacitor C141 are decoupling network to shunt r-f signal components to ground.

(2) R-F AMPLIFIER (AN/SRR-12).—Refer to figure 7-13. Output from the antenna preamplifier V301 is applied across the primary winding of T326, T327, T328, T329, or T330 by the setting of a portion of S326A, controlled by the band selector, through terminals J301K and L, and J326B and C. The r-f section of the gang-tuning capacitor, C451C, is shunted across the secondary of the selected transformer, to adjust the tuning of the transformer to the described frequency. Fixed capacitors and a trimmer in the secondary circuit, together with the r-f tuning capacitor, resonate with the secondary coils to provide continuous tuning over the selected band. R-f voltages are taken off the high side of the appropriate transformer secondary through a portion of S326A and fed to the control grid (pin 1) of the r-f amplifier tube V326. Switch S326B shorts out certain unusual primaries and secondaries of the transformers to prevent absorption of the signal on the band in use. Coils and trimmers can be adjusted by means of a screwdriver at points shown in figures 7-8 and 7-9b.

Signals are amplified in V326 and applied to the mixer stage V351 through terminals J326K and L, and J351B and C. The r-f section of the GAIN control,

R451A, is connected in series with the cathode (pin 2) of V326 to vary the bias and control the gain. As was described previously this control also adjusts the gain of the antenna preamplifier, V301. An automatic gain control voltage is applied to the circuit of the control grid (pin 1) of V326 through terminal J326D when the RECEPTION control is set at A3 and F1 reception. See paragraph 2b(5) for discussion of the AGC system.

(3) R-F AMPLIFIER (AN/SRR-13).—Refer to figure 7-14. The output from the antenna preamplifier V501 is applied across the primary winding of one of transformers T526 through T530 by the setting of a portion of S526, controlled by the band selector, through J501K and L, and J526B and C. The r-f section of the ganged tuning capacitor, C651C, is shunted across the secondary of the selected transformer to adjust the tuning of the transformer to the desired frequency. Fixed capacitors and a trimmer, together with the r-f tuning capacitor, resonate with the secondary coils to provide continuous tuning over the selected band. R-f voltages are taken off the appropriate transformer secondary through a portion of S526A and fed to the control grid (pin 1) of the r-f amplifier tube V526. Switch S526B shorts out certain unused primaries and secondaries of the transformers, to prevent absorption of the signal on the band in use. Coils and trimmers can be adjusted by means of a screwdriver at points shown in figures 7-8 and 7-9c.

Signals are amplified in V526 and applied to the mixer stage V551, through J526K and L and J551B and C. The r-f section of the GAIN control, R651A (see figure 7-14, sheet 2) is in series with the cathode (pin 2) of V526 to vary the bias and control the gain. As was described previously, this control also adjusts the gain of the antenna preamplifier, V501. An automatic gain control voltage is applied to the circuit of the control grid (pin 1) of V526 through J526D when the RECEPTION control is set for A3 and F1 reception. See paragraph 2b(5) for discussion of the AGC system.

d MIXER.—The mixer circuits used in the AN/SRR-11, -12, and -13 receivers differ, and will be discussed separately.

(1) MIXER (AN/SRR-11).—Refer to figure 7-12. Input to the mixer, V151, is applied across the primary of one of the five transformers T151, T152, T153, T154, and T155, by the setting of a portion of S151A, controlled by the band selector. The mixer section of the ganged tuning capacitor, C251B, is shunted across the secondary of the selected transformer, to

adjust the tuning of the transformer to the desired frequency. Fixed capacitors and a trimmer, together with the mixer tuning capacitor, resonate with the secondary coils to provide continuous tuning over the selected band. Switch S151B shorts the secondary of unused transformers to prevent absorption of signals on the band in use.

R-f signals are applied to the first grid, pin 1 of the mixer tube V151 from a tap on T151 through T155 as determined by the setting of a portion of S151A.

Signals from the oscillator V201 are applied to the third grid (pin 4) of the mixer V151, through terminal J151K. The oscillator and signal frequencies beat in the mixer stage to produce the intermediate frequency. The oscillator frequency is such that, when the receiver is set on band 1 or 4, the output frequency of the mixer V151 is 60 kilocycles. Output frequency of mixer V151 on bands 2, 3, and 5 is 200 kilocycles. These output signals are taken from the plate, pin 5 of V151, and applied to the input of the first i-f assembly through terminals J151L and J701B.

Coils and trimmers in the mixer circuit are adjusted by means of a screwdriver at points shown in figures 7-8 and 7-9a.

(2) MIXER (AN/SRR-12).—Refer to figure 7-13. Input to the mixer, V351, is applied to the primary of T351, T352, T353, T354, or T355 by the setting of the portion of S351A, controlled by the band selector. Capacitors C352, C355, C358, C361, and C364 are shunted across the primary of T351 through T355 to load the primary circuit. This arrangement provides a more constant input impedance throughout each band. The mixer section of the ganged tuning capacitor, C451B, is shunted across the secondary of the desired transformer to adjust the tuning of the transformer to the desired frequency. Fixed capacitors and a trimmer together with the mixer tuning capacitor, resonate with the secondary coils to provide continuous tuning over the selected band. Coils and trimmers in the mixer circuits are adjustable by means of a screwdriver at points shown in figures 7-8 and 7-9b. R-f signals are applied to the first grid, pin 1, of mixer tube V351 from one side of the selected tuned circuit by the setting of S351A. Switch S351B shorts the secondary of unused transformers to prevent absorption of signals on the band in use.

Signals from the oscillator V401 are applied to the third grid (pin 4) of V351, through terminal J351K. The oscillator and signal frequencies beat in the mixer to produce the intermediate frequency. The oscillator frequency is such that, when the receiver is set on band

1, 2, or 3, the output frequency of the mixer V351 is 200 kilocycles, and the output frequency on bands 4 and 5 is 1600 kilocycles. These output signals are taken from the plate, pin 5, of V351 and applied to the first i-f assembly through terminal J351L and J801B. These same outputs are also fed to the control grid (pin 1) of the mixer cathode follower V352 which supplies an output between J351F and ground, to feed a panoramic adapter. The PAN receptacle J1806 (see figure 3-13) at the back of the receiver accommodates the adapter. Because of the input selectivity characteristics of the second i-f filters, the use of this output is recommended on bands 4 and 5 only.

(3) MIXER (AN/SRR-13).—Refer to figure 7-14. Input to the mixer, V551, is applied to the primary of T551, T552, T553, T554, or T555 by a portion of S551B, the setting of which is controlled by the band selector. Capacitors C557, C560, C563, and C570 are shunted across the primaries of T551, T552, T553, and T555 respectively, to load the primary circuit. This arrangement provides a constant input impedance throughout each band. No such capacitor is included in the primary of T554, as the stray capacitance in that circuit is sufficient to perform this function. The mixer section of the ganged tuning capacitor, C651B, is shunted across the secondary of the selected transformer to adjust the transformer tuning to the desired frequency. Fixed capacitors and a trimmer, together with the mixer tuning capacitor, resonate with the secondary coils to provide continuous tuning over the selected band. Coils and trimmers in the mixer circuits are adjustable by means of a screwdriver at points shown in figures 7-8 and 7-9c.

R-f signals are applied to the 1st grid (pin 1) of V551 from one side of the selected tuned circuit by the setting of S551A. Switches S551A and B short the secondary of unused transformers to prevent absorption of signals on the band in use.

Except for different frequencies, the mixer circuit (V551) of this receiver is similar to that for the AN/SRR-12 receiver, as described in paragraph 2d(2) of this section. Because of the high frequency involved, the oscillator voltage is applied to grid 3 (pin 4) of V551 by way of link O603, accessible directly beneath the cover of the oscillator and mixer boxes.

Output from the mixer pentode, V551, is applied to the first i-f assembly through J551L and J901B. This output is at a frequency of 1600 kilocycles on all five bands. The pentode also feeds the mixer cathode follower, V552, which supplies a panoramic adapter on all bands. The PAN receptacle J1806 is at the back of the receiver.

e. LOCAL OSCILLATOR.—The oscillator in all four receiving sets operates on similar principles but the circuitry of the AN/SRR-13A is relatively different in respect to the other three. In view of this each will be discussed separately with paragraph 2e(4) devoted to the AN/SRR-13A local oscillator circuit.

(1) OSCILLATOR (AN/SRR-11).—Refer to figure 2-1. The oscillator used in the AN/SRR-11 receiving set is a Hartley circuit. The cathode and first grid, pin 1, of the oscillator tube V201 are connected in the oscillatory circuit through contacts on S201, which is controlled by the band selector. The tuned circuit consists of one of the coils L201, L202, L203, L204, or L205, appropriate fixed and trimmer capacitors, and the oscillator section of the ganged tuning capacitor, C251A. The tuning capacitor connects to the oscillator assembly through terminals E201 and E202.

Referring to the simplified schematic diagram, figure 2-1, the oscillator tuned circuit includes capacitors C251A, C217, C220, C219, C218, and coil L201. To provide proper oscillator feedback, this coil is connected respectively to the cathode pin 2 (through R202), the control grid pin 1 (through grid leak network R201, C223), and the second grid pin 7 of V201 (through coupling capacitor C224). Resistor R202 is connected in series with the cathode to improve the stability of the circuit.

The oscillator signals are electron-coupled to the plate, pin 5, and are fed to the mixer V151 through terminals J201B and J151K. The plate and screen voltages of V201 are regulated to insure stable output from the oscillator. Tube R1605, a ballast resistor located in the power supply regulates heater current.

The oscillator tracks on the high side of the signal frequency, so that it is 60 kilocycles higher than the signal frequency on band 1 or 4, and 200 kilocycles higher than the signal frequency on band 2, 3 or 5.

(2) OSCILLATOR (AN/SRR-12).—See figure 2-1 for similar circuit connections. The oscillator used in the AN/SRR-12 receiving set is a Hartley circuit. The cathode and first grid, pin 1, of the oscillator tube V401 are connected in the oscillatory circuit through contacts on S401A, which is controlled by the band selector. The tuned circuit consists of one of the coils L401, L402, L403, L404, or L405, fixed and trimmer capacitors, and the oscillator section of the ganged tuning capacitor, C451A. The E tap of one of coils L401 to L405 is connected to the control grid (pin 1), as selected by a portion of S401A, through the grid leak network R405 and C421. The D tap of one of the coils, as selected by a portion of S401A, is connected to the cathode (pin 2). Resistors R401 to R404 are connected in the cathode

circuit to improve the stability of the circuit. Switch S401B shorts unused coils to prevent absorption of signal on the band in use.

The screen grid (pin 7) is connected to the bottom side (grid) of the tuned circuit, through capacitor C422. This arrangement along with the cathode tap mentioned previously, provides proper feedback to sustain oscillation.

The oscillator signals are electron-coupled to the plate, pin 5, and from there are fed to the mixer V351 through terminals J401B and J351K. The plate and screen voltages of V201 are regulated to insure stable output from the oscillator. Tube R1605, a ballast resistor in the power supply, is in series with pin 6 of the filaments to regulate heater current. The oscillator tracks on the high side of the signal frequency by 200 kilocycles on bands 1, 2, and 3 or by 1600 kilocycles on bands 4 and 5.

(3) OSCILLATOR (AN/SRR-13).—See figure 2-1 for similar circuit connections. The oscillator used in the AN/SRR-13 receiving set is a Hartley circuit. The cathode and first grid, pin 1, of the oscillator tube V601 are connected in the oscillatory circuit through contacts on S601A, which is controlled by the band selector. The tuned circuit consists of coils L601, L602, L603, L604, or L605 fixed and trimmer capacitors, and the oscillator section of the ganged tuning capacitor, C651A. The E tap of one of coils L601 to L605 is connected to the control grid (pin 1), as selected by a portion of S601A, through the grid leak network C622 and R601. The D tap of one of the coils, as selected by a portion of S601A, is connected to the cathode (pin 2). Resistor R1603 is connected in the cathode circuit in band 1, to improve the stability of the circuit. A portion of the S601B shorts unused coils to prevent absorption of signal on the band in use.

The plate and screen grid (pins 5 and 7) are connected to the bottom side (ground) of the tuned circuit, through capacitor C624. This arrangement along with the cathode tap mentioned previously, provides proper feedback to sustain oscillations.

The plate and screen voltages of V601 are regulated to insure stable output from the oscillator. In order to get adequate injection voltage on the high-frequency bands, the oscillator is triode-connected, and the output to the mixer is taken from the cathode via link O603. In order to reduce hum on bands 4 and 5 one side of the heater is connected to the cathode through a portion of S601B. Choke L606 and ballast resistor R1605, located in the power supply, are provided in the other heater line to minimize heater current variations. The oscillator tracks 1600 kilocycles higher than the signal frequency on all five bands.

TABLE 2-1. INTERMEDIATE FREQUENCY RELATIONSHIPS

RECEIVER TYPE	BANDS	FIRST I-F INPUT FREQ.	FIRST I-F OSC. FREQ.
AN/SRR-11	1-4	60 kc	140 kc
AN/SRR-11	2-3-5	200 kc	INOPERATIVE
AN/SRR-12	1-2-3	200 kc	INOPERATIVE
AN/SRR-12	4-5	1600 kc	1400 kc
AN/SRR-13	1-2-3-4-5	1600 kc	1400 kc

(4) OSCILLATOR (AN/SRR-13A).—See figure 2-1 for similar circuit connections. The oscillator used in the AN/SRR-13A receiving set is a Hartley circuit. The cathode and control grid, pin 1 of the oscillator tube V601 are connected in the oscillatory circuit through contacts on S601A, which is controlled by the band selector. The tuned circuit consists of coils L601, L602, L603, L604, or L605 fixed and trimmer capacitors, and the oscillatory section of the ganged tuning capacitor, C651A. The E tap of one of coils L601 to L605 is connected to the control grid (pin 1), as selected by a portion of S601A, through the grid leak network C622 and R601. The D tap of one of the coils, as selected by a portion of S601A, is connected in the cathode circuit in band 1, to improve the stability of the circuit. A portion of the S601B shorts unused coils to prevent absorption of signal on the band in use.

The plate (pin 8) is connected to the bottom side (ground) of the tuned circuit, through capacitor C624. This arrangement along with the cathode tap mentioned previously, provides proper feedback to sustain oscillations.

The plate voltage of V601 is regulated to insure stable output from the oscillator. In order to reduce hum on bands 4 and 5, one side of the heater is connected to the cathode through a portion of S601B. Choke L606 and ballast resistor R1605, located in the power supply, are provided in the other heater line to minimize heater current variations. The oscillator tracks 1600 kilocycles higher than the signal frequency on all five bands.

f. INTERMEDIATE FREQUENCIES.—In addition to the local oscillator, a second conversion oscillator, V701, V801, V901 (depending on the receiver considered) incorporated in the first i-f assembly, is used to convert the signal to 200 kilocycles when the output from the mixer stage V151, V351, V551 is either 60 or 1600 kilocycles. The intermediate frequency relationships are shown in Table 2-1.

g. FIRST I-F ASSEMBLY.—The first intermediate-frequency circuits used in the three receiver types differ slightly, and will be discussed separately.

(1) FIRST I-F (AN/SRR-11).—Refer to figure 2-2. As determined by the mixer output, V151, the first i-f input frequency is 60 kilocycles on bands 1 and 4 and 200 kilocycles on bands 2, 3, and 5.

When the first i-f input is 60 kilocycles (band 1 or 4) the signal goes through S701 controlled by the band selector, to a band-pass filter Z702 which passes signal frequencies within a band wide enough for intelligibility, while suppressing extraneous frequency components. After passing through Z702 the 60-kilocycle signal is applied to the third grid (pin 4) of V701. This tube, V701 also operates as a 140-kilocycle crystal-controlled oscillator connected as a Pierce circuit, the tube elements

involved being the cathode (pin 2), first grid (pin 1), and second grid (pin 7), and the feedback relations being obtained through capacitors C716, C717, and interelectrode capacitance of the tube elements. The 140-kc signal thus produced and the 60-kc signal applied to the grid (pin 4) combine to produce a 200-kc signal in the plate (pin 5) circuit of V701 which is then fed through S702 to the primary tuned circuit of T703. The signal from the secondary of T703 goes through J702B to the 2nd i-f input J1001B.

When the first i-f input is 200 kilocycles (band 2, 3 or 5) the signal goes through S701 directly to S702 where it is applied to the primary tuned circuit of T703. The secondary output of T703 is applied to the 2nd i-f input through J702B and J1001B. Plate and screen voltages are removed from V701 by this setting of C702.

(2) FIRST I-F (AN/SRR-12).—See figure 2-2 for similarity of circuit connections. As determined by the mixer output, V351, the first i-f input frequency is 1600 kilocycles on bands 4 and 5, and 200 kilocycles on bands 1, 2, and 3.

When the first i-f input is 1600 kilocycles (band 4 or 5) the signal goes through S801, controlled by the band selector, to a band-pass filter Z802 which passes signal frequencies within a band wide enough for intelligibility, while suppressing extraneous frequency components. After passing through Z802 the 1600-kilocycle signal is applied to the third grid (pin 4) of V801. This tube, V801 also operates as a 1400-kilocycle crystal-controlled oscillator connected as a Pierce-type circuit, the tube elements involved being the cathode (pin 2), first grid (pin 1) and second grid (pin 7), and the feedback relations being obtained through capacitors C812, C813, and the interelectrode capacitance of the tube elements. The 1400-kc signal thus produced and the 1600-kc signal applied to the grid (pin 4) combine to produce a 200-kc signal in the plate (pin 5) circuit of V801 which is then fed through S802 to the primary tuned circuit of T801. The signal from the secondary of T801 goes through J802B to the 2nd i-f input J1001B.

When the first i-f input is 200 kilocycles (band 1, 2, or 3) the signal goes through S801 directly to S802 where it is applied to the primary tuned circuit of T801. The secondary output of T801 is applied to the 2nd i-f input through J802B and J1001B. Plate and screen voltages are removed from V801 by this setting of S802.

(3) FIRST I-F (AN/SRR-13).—See figure 2-2 for similarity of circuit connections. As determined by the mixer output, V151, the first i-f input frequency is 1600 kilocycles on all bands.

The first i-f input signal goes to a band-pass filter Z902 which passes signal frequencies within a band wide enough for intelligibility, while suppressing extra-

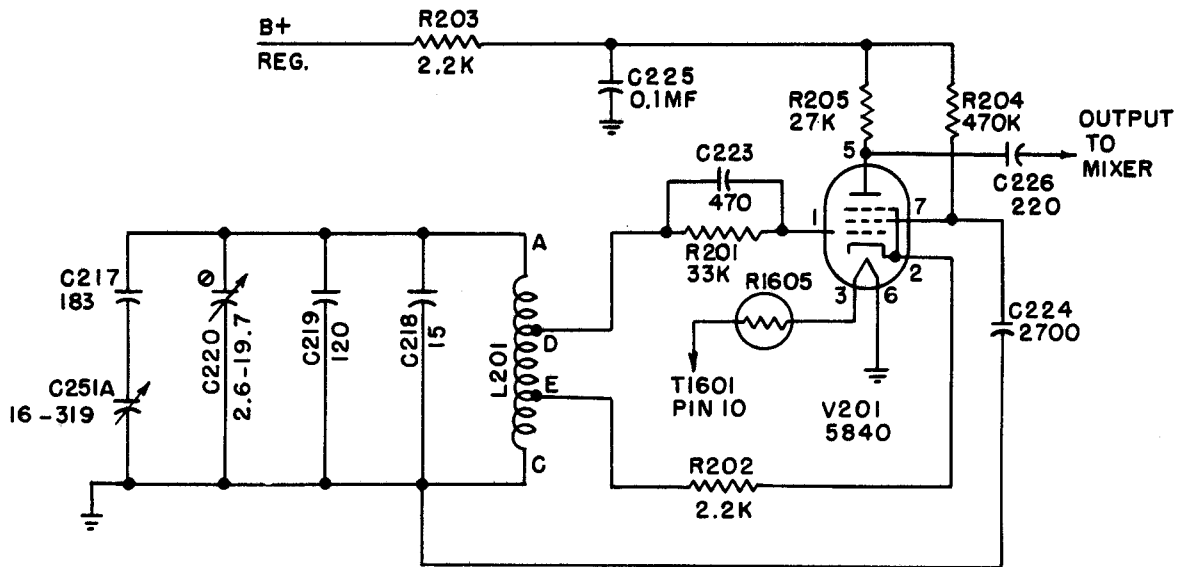
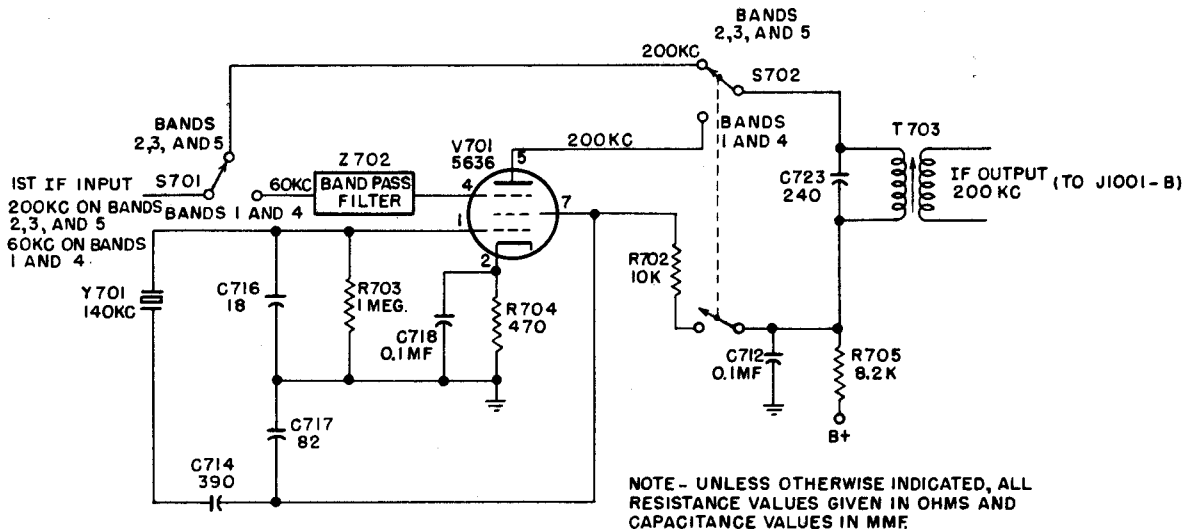


Figure 2-1. Local Oscillator, Simplified Schematic, AN/SRR-11

neous frequency components. After passing through Z902 the 1600-kilocycle signal is applied to the third grid (pin 4) of V901. This tube V901 also operates as a 1400-kilocycle crystal-controlled oscillator connected as a Pierce-type circuit, the tube elements involved being the cathode (pin 2), first grid (pin 1) and second grid (pin 7), and the feedback relations being obtained through capacitors C912, C913, and the interelectrode capacitance of the tube elements. The 1400-kc signal thus produced and the 1600-kc signal applied to the grid

(pin 4) combine to produce a 200-kc signal in the plate (pin 5) circuit of V901 which is then fed through S902 to the primary tuned circuit of T901. The signal from the secondary of T901 goes through J902B to the 2nd i-f input J1001B.

b. SECOND I-F.—The second i-f assembly is identical for Radio Receiving Sets AN/SRR-11, AN/SRR-12, and AN/SRR-13. For Radio Receiving Set AN/SRR-13A the differences are described where applicable. The connections between these assemblies and associated parts are



NOTE - UNLESS OTHERWISE INDICATED, ALL RESISTANCE VALUES GIVEN IN OHMS AND CAPACITANCE VALUES IN MMF.

Figure 2-2. First I-F, Simplified Schematic, AN/SRR-11

also different and these differences are described where applicable throughout this discussion. The second i-f assembly includes filter circuits, three stages of amplification V1001, V1002, V1003 at 200 kilocycles, a BFO mixer, V1004, diode detector, V1005, AGC delay diode, V1006, and a cathode follower, V1007 used to supply signals to a frequency shift converter or other accessory equipment. Link connections are also provided for connecting the AN/SRR-12 or -13 with a companion receiver in a dual diversity reception system.

(1) FILTERS AND INPUT CIRCUIT.—For Radio Receiving Sets AN/SRR-11, AN/SRR-12 and AN/SRR-13, the 200-kilocycle input to the second i-f assembly, appearing at J1001, is filtered before it is applied to the first amplifier, V1001. The filter selected depends on the position of wafer switches S1001 and S1002 which are actuated by the RECEPTION control. When this "control is set at FSK, A1 BROAD, A1 SHARP, or A3 SHARP," signals are fed through the "sharp" filter Z1001 which provides a pass-band of approximately 3.2 kc centered about 200 kc. When the RECEPTION control is set at A2 and A3 BROAD, the "medium" filter, Z1002, is used, which provides a pass-band of approximately 8 kc centered about 200 kc.

For Radio Receiving Set AN/SRR-13A, the 200-kilocycle input to the second i-f assembly, appearing at J1001, is filtered before it is applied to the first amplifier, V1001. The filter selected depends on the position of wafer switches S1001 and S1002 which are actuated by the RECEPTION control. When this control is set at FSK, A1 BROAD, or A3 SHARP, the signals are fed through the "medium" filter, Z1015B which provides a band pass of approximately 3 kc centered about 200 kc. When the RECEPTION control is set at A1 SHARP or A1 MEDIUM, the "sharp" filter, Z1015A, is used, which provides a band pass of approximately 1 kc centered about 200 kc. Signals are fed through the "broadly" tuned filter, Z1016, when the RECEPTION control is set at A3 BROAD. Z1016 (together with Z1017, Z1018, Z1011 and T901 of the first i-f) provides a pass-band of approximately 8 kc centered about 200 kc.

(2) SECOND I-F AMPLIFIER STAGES.—The first two stages of amplification in the second i-f assembly, V1001 and V1002, are semi-remote cutoff pentodes which are coupled by the broadly tuned transformer circuit, Z1005. (Z1017 for AN/SRR-13A) The alignment tuning of this circuit is adjusted by means of movable powdered iron cores in L1011 and T1011 (L1015 and L1016 for AN/SRR-13A). The plate of V1002 is coupled through another broadly tuned transformer circuit, Z1007 (S1018 for AN/SRR-13A) (also provided with iron tuning slugs) to the third i-f amplifier, V1003. The B section of the r-f GAIN potentiometer R251 is connected to the cathode bias resistors R1006, R1010 of the first two amplifiers, V1001 and V1002, to control the gain through these stages. The GAIN BAL. con-

trol R452 of the AN/SRR-12, or R652 of the AN/SRR-13, variable by means of a screwdriver adjustment behind the hole in the front panel of these receivers is also connected in series with cathode bias resistors of V1001 and V1002. This GAIN BAL. control is used for matching the gain of the AN/SRR-12 or -13 receivers to the gain of a companion receiver when using diversity reception. This control is not on the AN/SRR-11.

Output from V1003, feeds four circuits: (1) the TUNING meter M451, M651 for AN/SRR-12 and -13 through T1014; (2) the BFO-mixer circuit which is active when the RECEPTION control is set to A1 BROAD, A1 SHARP, or FSK; (3) the diode detector V1005 whose output voltage is fed to the audio amplifier when the RECEPTION control is set at A2 or A3, and whose current operates the TUNING meter M251 on the AN/SRR-11; (4) the cathode follower.

(3) TUNING METER.—In the AN/SRR-11 the TUNING meter M251 is connected to indicate the current in the diode detector, V1005. In the AN/SRR-12 and AN/SRR-13 the output of the third amplifier, V1003, is applied to a 200-kilocycle tuned circuit in Z1009 and rectified by a crystal rectifier CR1001 to actuate the movement of the TUNING meter M451 or M651 mounted on the front panel. When the desired signal is detuned, the rectified signal voltage applied to the TUNING meter is low, and the meter reads down scale. As the desired signal is tuned, the rectified voltage increases and the TUNING meter reads up scale. The HIGH-LOW switch, S254, S454, S654 (depending on the receiver type) mounted below the TUNING meter on the front panel, attenuates the meter reading when the switch is in the LOW position by connecting a shunt resistor, R253, across the meter for the AN/SRR-11 or adding a series resistor R453 or R653 for the AN/SRR-12 and -13. This resistor is removed when the switch is in the HIGH position.

(4) BFO-MIXER.—Output from the third i-f amplifier, V1003, is fed to the first grid of the BFO-mixer, pin 1 of V1004. Signals from the beat frequency oscillator V1301 are applied to the third grid, pin 4, of V1004 through capacitor C1306. (See paragraph 2i of this section for BFO circuit description.) The 200-kilocycle i-f signal and the signal from the BFO are heterodyned in V1004 to produce a difference frequency in the audio range. This difference frequency component is fed to the audio amplifier V1102 through S1003, J1002N, J1101D, and S1101A, when the RECEPTION control is set at A1 BROAD, A1 SHARP (and A1 MEDIUM for AN/SRR-13A). When this control is set at FSK, the signal goes to V1102 through S1003, J1002N, the center arm of the OUTPUT control R257B, R457B, or R657B (depending on the receiver type), J1101J, and S1101A.

(5) DIODE DETECTOR AND DELAYED AGC.—(See figure 2-3). Signals at 200 kc from the plate

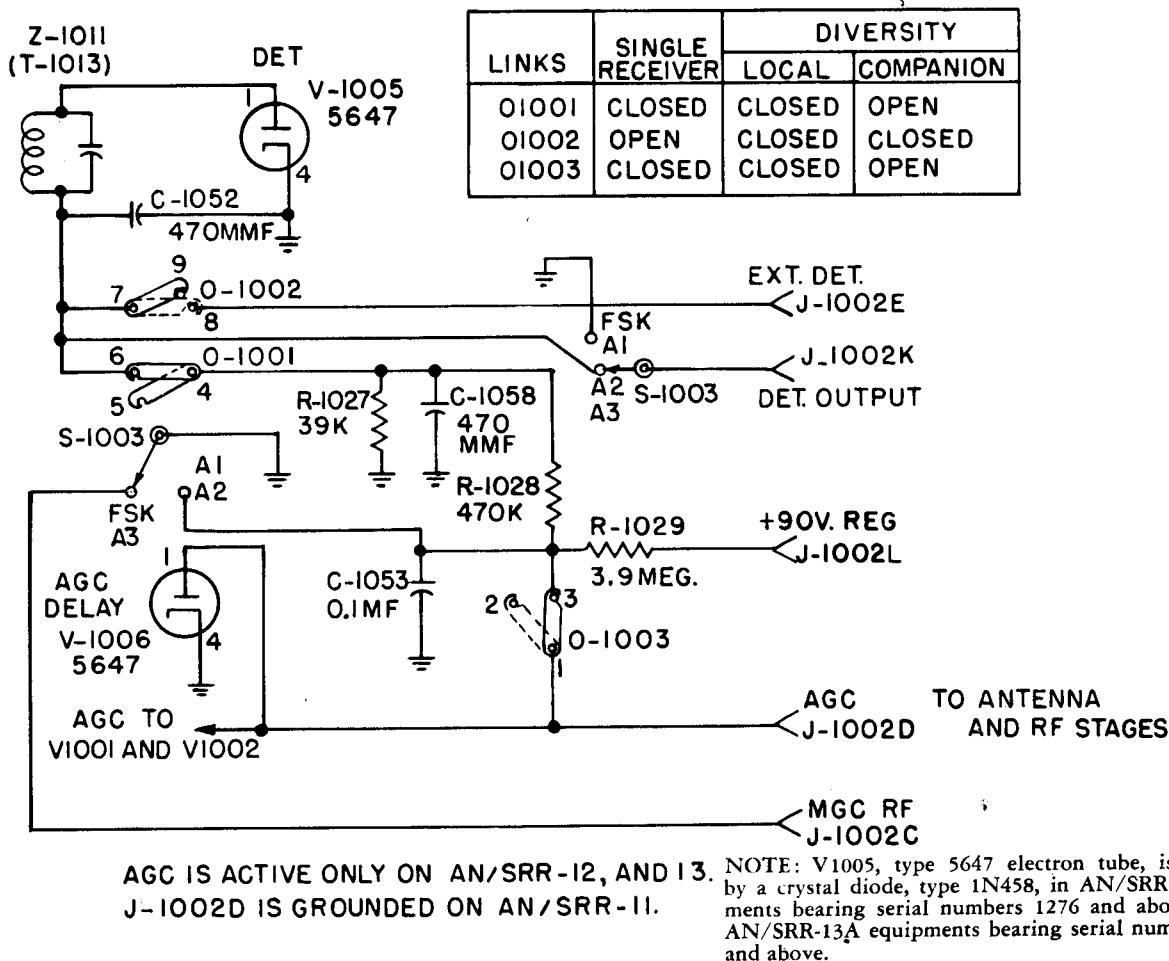


Figure 2-3. Detector and AGC, Simplified Schematic

of V1003 are also applied across the diode detector V1005, through the broadly tuned transformer circuit Z1011. An audio voltage is developed across the diode load, R1027, and applied to the audio amplifier noise peak limiter V1101 through S1003, J1002K, J1101T, and R1102 when the RECEPTION control is in the A2 or A3 position. (The noise peak limiter is discussed in paragraph 2j(1) of this section.)

The voltage developed by the diode detector V1005 across R1027 is applied, through R1028 and link O1003 to the AGC delay diode, V1006, when the RECEPTION control is in the FSK or A3 position (AN/SRR-12 and -13 only). Capacitor C1053 in conjunction with R1028 serves to filter the modulation components of the detected signal so that only the d-c component is applied to the AGC diode. This diode is normally conducting by reason of a positive voltage applied to its plate from the B+ regulated supply through R1029. Therefore, the AGC line to the r-f

and second i-f amplifiers is held at a slightly positive potential until the d-c component of the signal developed across the diode load R1027, is sufficiently negative to stop V1006 from conducting. The voltage divider network R1027, R1028, and R1029 is so arranged that the point where the diode (V1006) stops conducting corresponds to approximately 12 volts d-c at the detector (V1005). For stronger signals the AGC line becomes negative by an amount necessary to bias the r-f and second i-f amplifiers and reduce the gain in these stages.

Delayed AGC is effective only for F1 and A3 reception in the AN/SRR-12 and -13. It is not used on the AN/SRR-11 receiver, in which case the delayed AGC output lead is grounded through J1002D. When the RECEPTION control is set at A1 BROAD, A1 SHARP, or A2 the delayed AGC line is grounded by S1003 and gain is controlled by the i-f section of the GAIN control, R251B, R451B, or R651B, on the front panel.

(6) DUAL DIVERSITY RECEPTION (AN/SRR -12 or -13 only).—Links are provided in the diode detector and AGC circuits of the AN/SRR-12 and -13 receivers for applying a rectified signal voltage and automatic gain control voltage to a second AN/SRR-12 or -13 designated as the companion receiver. With links O1001, O1002, and O1003 in positions as given in the table of figure 2-3 for diversity connection, the diode load resistor R1027 and the delayed AGC circuit of the local receiver are made common to the companion through the DET AGC receptacles J1803 and suitable cabling. When using a diversity system, gain of both receivers must be balanced. This is accomplished by regulating the amount of amplification in V1001 and V1002 of each receiver through adjustment of the DIVERSITY GAIN BAL. control R452 of the AN/SRR-12 or R652 of the AN/SRR-13, a recessed screwdriver adjustment on the front panel.

(7) FREQUENCY SHIFT AND PANORAMIC OPERATION.—Intermediate frequency outputs are supplied by the AN/SRR-11, -12, -13 receivers to feed a frequency shift converter and also in the AN/SRR-12 and -13, a panoramic adapter.

One output is provided by the second i-f cathode follower, V1007, which supplies signals at 200 kilocycles to a frequency shift converter through the coaxial receptacle J1805 on the back of the receiver labeled IF. The output of the third amplifier, V1003 (pin 5) is coupled to the grid (pin 1) of V1007.

The second output, J1806 incorporated in the AN/SRR-12 and -13 only, is provided by the mixer cathode follower, V352 or V552, for use with a panoramic adapter. The mixer cathode follower circuits are further described in paragraph 2d(2) of this section.

In addition to the i-f outputs, a frequency shift converter of the audio type can also be supplied from the balanced audio line of 600 ohms, depending on the position of the AN/SRR-11, -12, and -13 receivers. Mark and space frequencies may be correctly set by adjustment of the beat frequency oscillator in the receiver, after the receiver has been tuned to the desired carrier frequency.

i. BEAT FREQUENCY OSCILLATOR.—The BFO circuit provides a heterodyning signal to the BFO mixer, V1004 for the second i-f to produce the desired beat note when the RECEPTION control is set for A1 and F1 reception. The beat frequency oscillator (V1301) is a Hartley circuit with adjustable capacitor, C1309, operated by the FREQ. VERNIER front panel control. This capacitor is paralleled by C1307 and C1308 which are screwdriver trimmer adjustments

(C1308 is active only in the FSK position of the RECEPTION control on the AN/SRR-12 and -13).

Output of the oscillator is electron-coupled to the plate, pin 5, of V1301. Beat frequency oscillator signals are fed through J1301B, J1002A, to the third grid, pin 4, of the BFO mixer, V1004, where they heterodyne with A1 or F1 received signals (coming from V1003) to produce a beat note in the audio range. Capacitor C1309, labeled as the FREQ. VERNIER on the front panel, changes the resonant frequency of Z1301 to provide a variation of 1500 cycles on either side of the center frequency which is zero cycle except in FSK position of the RECEPTION control on the AN/SRR-12 or -13 receivers. In this case, the beat note at the center, (0) setting of the FREQ. VERNIER, is 2550 cycles.

Plate and screen grid potentials to V1301 are removed through the setting of S1301 when the RECEPTION control is set at A2 or A3 or by S252 of AN/SRR-11, S452 of AN/SRR-12, or S652 of AN/SRR-13 when the crystal calibrator is on.

j. AUDIO AMPLIFIER.—The audio assembly is identical for the three receiver types. However, the connections between this assembly, and associated assemblies and parts, differ in the three receivers. These differences are mentioned where applicable throughout this paragraph.

(1) AUDIO INPUT CIRCUITS.—Input to the audio assembly is determined by the setting of S1101A which is controlled by the RECEPTION control. A simplified schematic of the audio input circuits is shown in figure 2-4. When the RECEPTION control is set at FSK, A1 BROAD, A1 SHARP, output from the BFO mixer, V1004, is applied directly to the first audio amplifier, V1102. But when the RECEPTION control is set at A2, A3 SHARP, or A3 BROAD (the A3 positions are used only on AN/SRR-12 and -13 receivers), output from the diode detector V1005, is applied to the first amplifier, V1102, through a noise peak limiter diode, V1101, which functions as follows:

The d-c component of the rectified signal from the diode detector circuit developed across R1027 as described in paragraph 2h(5) is applied to the cathode of the noise peak limiter V1101 through R1104, R1105, and C1101 which filters the a-c component of the signal. A portion of the rectified signal voltage is applied to the plate of the noise peak limiter V1101 by means of voltage divider R1102, R1103. Under conditions of normal signal, the diode V1101 conducts and feeds the first audio amplifier, V1102, but when a noise pulse which exceeds normal modulation per-

centage is detected, it causes an instantaneous decrease in potential on the plate of the noise limiter diode V1101. Voltage to the cathode, however, remains constant because of the filtering action of C1101 and R1104. Thus for a short time interval, the plate is more negative than the cathode, and during this time the diode acts as an open circuit. Therefore the output noise pulse is limited to a value corresponding to maximum normal modulation percentage as determined by the relative values of R1102 and R1103. In these receivers the noise limiter is set to limit impulses to a level corresponding to 40% modulation.

The B section of the OUTPUT control, R257 of AN/SRR-11, R457 of AN/SRR-12, or R657 of AN/SRR-13 is shunted across the grid circuit of V1102, when S1101A is set at FSK, A3 SHARP, or A3 BROAD to provide a means of adjusting the signal level before it is applied to the first audio amplifier V1102. This control is inoperative when S1101A is set at A1 BROAD, A1 SHARP, or A2 (in these positions the signal input is applied across the entire resistor, and the output is taken from the same point).

The normal characteristic of the audio amplifier provides broad selectivity, but a narrow frequency response is obtained when the RECEPTION control is set at A1 SHARP. In this position, S1101B channels the output of the first audio amplifier through a band-pass filter, Z1110, before the signal is applied to succeeding stages of the audio assembly. Filter Z1110 is bypassed in all other positions of S1101B.

(2) SILENCER CIRCUIT (AN/SRR-12 and -13 only).—See figure 2-5. A silencer circuit, V1003 and

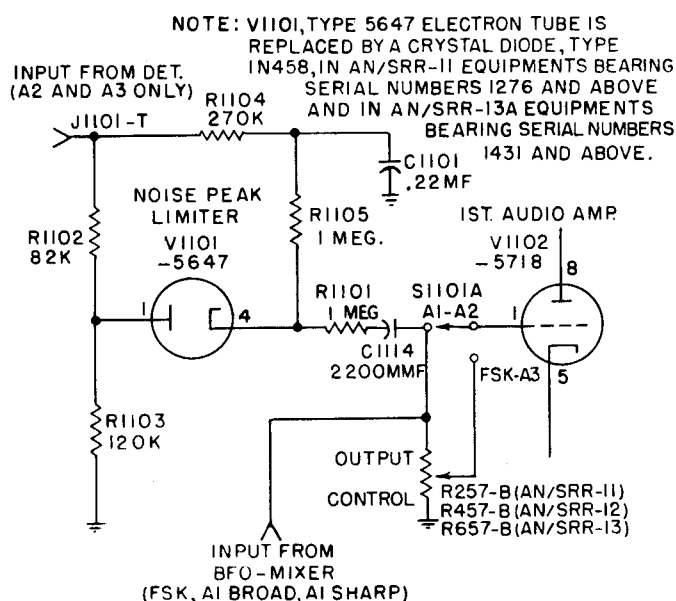


Figure 2-4. Noise Peak Limiter, Simplified Schematic

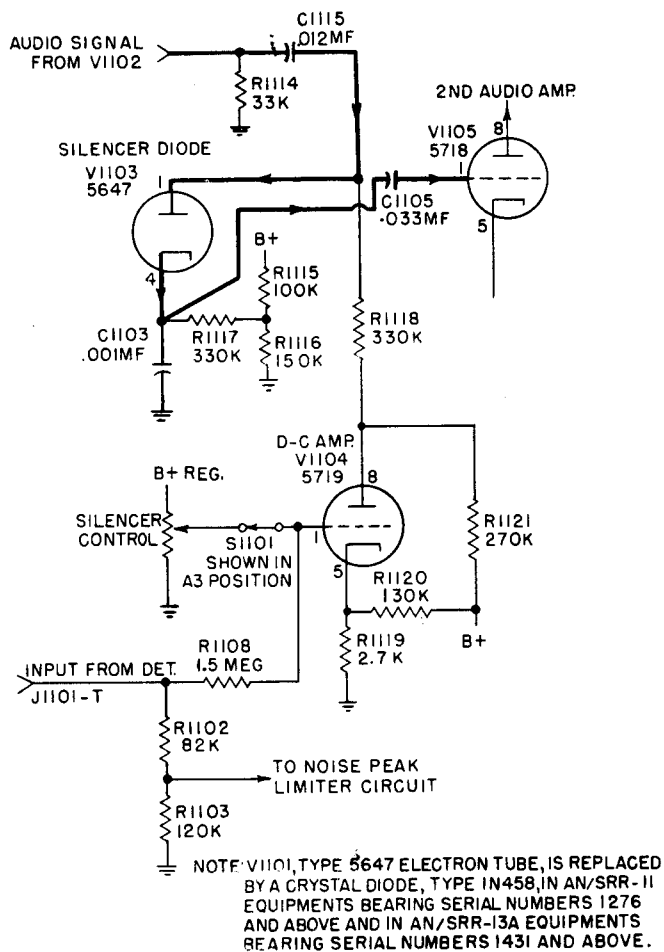


Figure 2-5. Silencer Circuit, Simplified Schematic

V1104, is active in the audio assembly when the RECEPTION control is in the A3 SHARP or A3 BROAD position to prevent noise from being further amplified by succeeding stages in the absence of signals.

The silencer diode, V1103, is connected in series between the first and second audio amplifiers, V1102 and V1105. Plate potential of the diode is determined by the amount of plate current flow through the d-c amplifier, V1104. The cathode potential is determined by voltage divider R1115 and R1116. Grid voltage of the d-c amplifier (pin 1 of V1104), supplied by B+, is determined by the setting of the SILENCER potentiometer R456 of AN/SRR-12 or R656 of AN/SRR-13, which is mounted on the front panel of the receiver, and by the average d-c level of the detector output. The potentiometer R456 or R656 is connected between B+ and ground, and thus provides an adjustable positive voltage.

When the grid voltage of the d-c amplifier V1104 is positive, the plate of V1103 becomes negative rela-

tive to the cathode, and V1103 cannot conduct. When the grid voltage of V1104 is reduced (as by the presence of a strong carrier) the plate of V1103 becomes positive relative to the cathode, thus causing V1103 to conduct.

When the RECEPTION control is set to any other position but A3 SHARP or A3 BROAD, the SILENCER control is inoperative because switch S1101A returns the grid circuit of V1104 to ground instead of to the silencer control.

(3) SECOND AUDIO AMPLIFIER (V1105).—The output of the silencer diode, V1103, is taken from its cathode and coupled to the grid (pin 1) of the second audio amplifier, V1105 through C1105. The amplified output appears at the plate (pin 8) of V1105 and is applied to the cathode of the first diode limiter, V1106, through capacitor C1107.

(4) DIODE LIMITERS.—Two series diode limiters, V1106 and V1107, are combined to clip equally on positive and negative portions of the audio cycle, when S1101A on the RECEPTION control is set for A1 or A2. Plate potential on the limiters, and therefore, the level at which the tubes will become non-conductive, is set by the A section of the OUTPUT control R257 of AN/SRR-11, R457 of AN/SRR-12, or R657 of AN/SRR-13. When the audio output from V1105 is applied to the limiter diodes (cathode of V1106), diode V1106 limits the positive portions of the input while V1107 limits the negative portions, and the OUTPUT control is adjustable to provide a range of 40 db. In those positions of the RECEPTION control where limiting is not used, A3 and FSK, the plate potential on the diodes is fixed by returning the plate to B+ through R1112 at such a value that the diodes remain conductive beyond the point that produces maximum power output from the output stage.

(5) AUDIO OUTPUT STAGES.—Signal voltages are taken from the cathode of the second limiter, V1107, and applied to the grid (pin 1) of the driver stage, V1108 through C1108. They are amplified and applied to the control grid (pin 1) of the beam power pentode, V1109 through R1134 and C1109. A negative feedback voltage is applied from the plate (pin 5) of V1109 to the cathode (pin 5) of V1108 via resistor R1132 and R1134. The feedback is provided to maintain a nearly constant output voltage under changing load conditions. (Such as due to connecting two headphones in parallel or connecting various loads to the receiver audio output terminals.)

The pentode, V1109, feeds the primary of output transformer T1101; and signals are taken from a balanced secondary winding to feed a 600-ohm line, and an unbalanced winding (with one side grounded) for phone jack connections.

The phone LEVEL control, R258, R458, or R658 (depending on the receiver type) regulates the output which is applied to the two PHONE jacks J265, J266 or J465, J466 or J665, J666 connected in parallel. The same audio signal that feeds the PHONE jacks also goes to the OUTPUT meter M252 of AN/SRR-11, M452 of AN/SRR-12, or M652 of AN/SRR-13 through appropriate multiplier resistors as selected by the ADD DECIBEL switch S255, S455, or S655. The OUTPUT meter is connected directly to the output winding to prevent the LEVEL control and phones from affecting the meter readings.

k. OUTPUT METER.—The signal to the OUTPUT meter, M252 of AN/SRR-11, M452 of AN/SRR-12, and M652 of AN/SRR-13 is attenuated in four steps to permit the meter to indicate, in decibel, a wide range of output levels. Zero db of the meter circuit corresponds to a power level of six milliwatts into a 600-ohm load. Multiplier resistors provide the appropriate amount of attenuation. These multipliers are selected by the ADD DECIBEL switch S255, of AN/SRR-11, S455 of AN/SRR-12, or S655 of AN/SRR-13, for the +20 db, +10 db, 0 db and -10 db positions. There is no attenuation provided when the switch is in the -10 db position in order that the low output levels can be read. The -10 db position of the ADD DECIBEL switch is spring-loaded, and the switch will fall back to the 0 db position if the switch arm is not held in the -10 db position.

l. POWER SUPPLY.—All voltages necessary for the operation of the AN/SRR-11, -12, or -13 receivers are provided by an a-c operated power supply. Taps on the primary of transformer T1601, selected by an appropriate position of link O1601 on link-board E1601, accommodate either a 105-, 115-, or 125-volt a-c source at frequencies of 50-60 cycles. Additionally, for operation at 400 cycles, the other side of the primary circuit, which is normally connected to terminal No. 1 of the power transformer T1601, must be reconnected to terminal No. 6, in which case the line voltage taps function as above. The two-section POWER switch S251 of AN/SRR-11, S451 of AN/SRR-12, or S651 of AN/SRR-13 which is mounted on the front panel, opens and closes both sides of the primary of T1601. Two fuses, F1601 and F1602, protect the circuit from overload.

Rectified current, developed by V1601 and V1602, is taken from the parallel connected cathodes and fed through a choke-input filter L1601A, L1601B, C1601, C1602. Two outputs are supplied by the rectifier: 120 volts at terminal J1601C, and 95 volts regulated by V1603 at terminal J1601D. This is obtained by connecting V1603 to the midpoint of the filtering network by R1603. C1603 provides r-f filtering of the regulated output. A visual indication of the existence of B+ is given by the pilot light (I251 of the AN/SRR-11, I451 of the AN/SRR-12, and I651 of the AN/SRR-13) which is located on the front panel and glows when d-c voltage is present in the circuit. This pilot light (a neon bulb) is connected in series with a 100K resistor R262, R462, or R662 and this series combination is connected across B+

Two heater windings are provided on the secondary of T1601: One winding (terminals 8, 9) supplies heater voltage for the noise limiter diode, V1101. This is supplied at a reduced level (5.2 volts) so as to reduce hum due to the heater-cathode leakage in V1101. Potentiometer R1601 (a chassis control) adjusts the balance of this winding to further reduce hum when a 400-cycle primary source is employed. The second heater winding (terminals 10, 11, 12, 13, 14) has several taps on each side of its ground connection. Most of the heater voltages for all other vacuum tubes in the equipment are supplied from terminals 11 and 13. Terminal 12 is connected to ground. A ballast resistor, R1605, is connected in series between terminal 10 of the transformer and one of the oscillator heater leads to regulate current to the oscillator heater. (The other lead of the oscillator-heater is grounded.) A 6-3-volt a-c potential from terminal 14 of T1601 supplies the dial light and in the AN/SRR-11, additionally, the heaters of V101, V126, and V151.

m. FILTER ASSEMBLY.—Refer to figure 7-1. The filter assembly is located on the back of the receiver cabinet and includes the following connectors and associated filter or relay for input and output circuits of the receiver:

(1) I-F CIRCUIT.—This circuit carries the cathode-follower output (200 kc) from V1007 through J1002-B and J1709-A2 (or J1809-A2), the filter Z1701 (or Z1801) to J1705 (or J1805). This filter rejects signals in the frequency range from 400 kc to 400 mc to prevent interference between the receiver and any external equipment connected to this jack (J1705 or J1805).

(2) PAN CIRCUIT (AN/SRR-12 and AN/SRR-13 only).—This circuit carries the cathode-follower output (1600 kc) from V352 (or V552) through J351-1 (or J551-L) to J1809-A3, the filter Z1804 to J1806. This filter rejects signals in the frequency range from 1700 kc to 400 mc to prevent interference between the receiver circuits and the external circuits.

(3) ANT. CIRCUIT.—This circuit carries r-f signals from the external antenna through J1707 (or J1807), the relay K1701 (or K1801), jack J1709-A4 (or J1809-A4), to jack J101-B (or J301-B or J501-B) of the antenna assembly. This relay is a current-operated thermal relay which opens the antenna lead to protect the receiver input circuits from overload, as when a transmitter operates in the immediate vicinity. Under overload conditions, the relay opens and closes rapidly to maintain an average current of 150 milliamperes.

(4) POWER CIRCUIT.—The circuit carries 115-volt (nominal) a-c current which powers the equipment, through J1704 (or J1804), filter Z1702 (or Z1802), jack J1709-7, 8, 10 (or J1809-7, 8, 10, POWER switch S251 (or S451 or S651), fuses F1601, F1602, to the power transformer T1601. This filter Z1702 (or Z1802) rejects frequencies from 14 kc to 400 mc to prevent interference between the receiver and other circuits connected to the power line.

(5) AUDIO CIRCUIT.—This circuit carries the receiver audio output from transformer T1101 terminals 5 and 7 through J1101-A, -E, J1709-4 and -9 (or J1809-4 and -9), filter Z1703 (or Z1803) to J1701,

NAME	SCHEMATIC SYMBOL	
	AN/SRR-11	AN/SRR-12 and -13
I-F	J1705, Z1701	J1805, Z1801
PAN	Not Used	J1806, Z1804
ANT	J1707, K1701	J1807, K1801
POWER	J1704, Z1702	J1804, Z1802
AUDIO	J1701, Z1703	J1801, Z1803
AUDIO	J1702, Z1703	J1802, Z1803
DET. AGC	Not Used	J1803

it beats with the signal from the local oscillator V201. The beat signal goes through switches, S701, S702, S1001, S1002 and associated networks, through V1001, to the input circuit (grid pin 1) of V1002. In this same circuit, it combines with the fourth harmonic (200 kc) of the 50 kc output from V1401, applied by the path described above, giving a zero-beat at every 10-kc separation of the tuning dial setting.

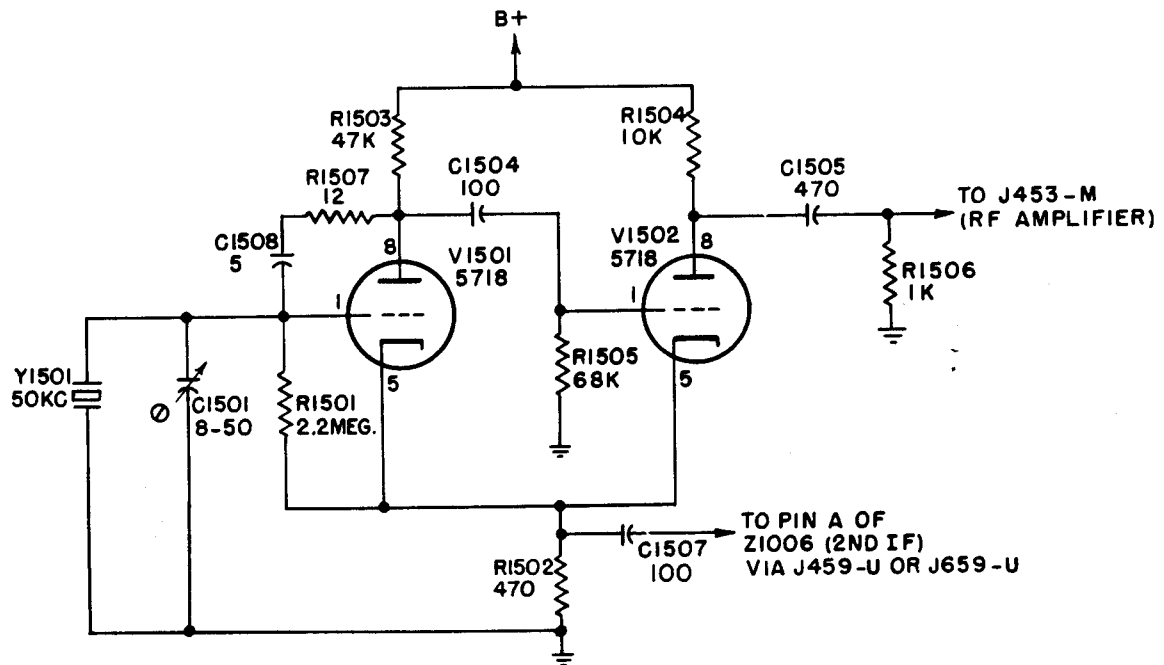
The main tuning dial can thereby be calibrated independently of external signals by use of the CAL ADJUST control, if the CAL switch is turned to the ON position.

The CAL switch, S252, is connected so that in the OFF position B+ voltage is not applied to the crystal calibrator. In the ON position, B+ voltage is applied to the calibrator and is removed from the antenna preamplifier, V101, and BFO, V1301. This prevents interference with the crystal calibrator from either externally applied signals or the BFO.

(2) 50-KC CRYSTAL CALIBRATOR (AN/SRR-12).—Refer to figure 2-7. The crystal calibrator circuit used in the AN/SRR-12 receiver is a cathode-coupled multivibrator, V1501 and V1502, which is

locked to 50 kilocycles by Y1501. Capacitor C1508 aids the grid-to-plate capacity of V1501 to increase the feedback. One output, rich in harmonics of 50 kc, is taken from the plate of V1502 and applied to the grid pin 1 of the r-f amplifier V326 through C1505, J1501-C, J301-M, C302, J301-L, J326-B, S326-A. After passing through V326, the signal is combined in the mixer V351 with the signal from the local oscillator V401. The combination-frequency signal output of V351 then goes through switches S801, S802, S1001, S1002 and associated networks, through V1001, to the input circuit of V1002. In this last circuit, it combines with a second output from V1501/V1502.

The second output is taken from the common cathodes of V1501 and V1502 and its fourth harmonic is applied to V1002 of the second i-f assembly to produce a beat note as just mentioned. The combination of the two signals gives a beat note at every 50-kilocycle interval throughout the tuning range of the receiver. The main tuning dial can thereby be calibrated independently of external signals if the CAL switch is turned to the ON position. The CAL switch, S452, is connected so that in the OFF position B+ voltage is not applied to the crystal calibrator.



- NOTES: 1. SYMBOL NUMBERS AND COMPONENT VALUES ARE THOSE OF AN/SRR-12.
2. FOR AN/SRR-13 USE 1200 SYMBOL SERIES, AND COMPONENT VALUES GIVEN IN APPROPRIATE SCHEMATIC DIAGRAM.
3. UNLESS OTHERWISE INDICATED ALL RESISTANCE VALUES GIVEN IN OHMS AND CAPACITANCE VALUES IN MMF.

Figure 2-7. Crystal Calibrator, Simplified Schematic, AN/SRR-12 and -13

In the ON position, B+ voltage is applied to the calibrator, and is removed from the antenna preamplifier, V301, and BFO, V1301. This prevents interference with the crystal calibrator from either externally applied signals or the BFO.

(3) 200-KC CRYSTAL CALIBRATOR (AN/SRR-13).—Refer to figure 2-7. The crystal calibrator circuit used in the AN/SRR-13 receiver is a cathode coupled multivibrator, V1201 and V1202, which is locked to 200 kilocycles by Y1201. Resistor R1206 is a parasitic suppressor and capacitor C1208 aids the grid-to-plate capacity of V1201 to increase the feedback. One output, rich in harmonics of 200 kc, is taken from the plate of V1202 and applied to the grid pin 1 of the r-f amplifier V526 through C1205, J1201-C, J501-M, C502, J501-L, J526-B, S526-A. After passing through V526, the signal is combined in the mixer V551 with the signal from the local oscillator V601. The combination-frequency signal output of V551 then goes through switches S1001, S1002 and associated networks through V1001, to the input circuit of V1002. In this last circuit, it combines with a second output from V1201/V1202.

The second output is taken from the common cathodes of V1201 and V1202, and its fourth harmonic is applied to V1002 of the second i-f assembly as just mentioned. The combination of the two signals gives a beat note at every 200-kilocycle interval throughout the tuning range of the receiver. The main tuning dial can thereby be calibrated independently of external signals if the CAL switch is turned to the ON position.

The CAL switch, S652, is connected so that in the OFF position B+ voltage is not applied to the crystal calibrator. In the ON position, B+ voltage is applied to the calibrator, and is removed from the antenna preamplifier, V501, and BFO, V1301. This prevents interference with the crystal calibrator from either externally applied signals or the BFO.

o. BAND SELECTOR FUNCTIONING. — The band selector assembly consists of a gear and sliding bar which moves the five-position wafer switches in the antenna, r-f, mixer, oscillator, and first i-f assemblies to connect appropriate circuits for the band of frequencies selected. The ranges of frequencies covered in each of the five bands are marked on the front panel around the band selector knob. The sliding bar, which extends along the sides of the antenna, r-f, mixer, oscillator, and first i-f assemblies, is made to move in and out by gears and a rack which are driven when the shaft on the band selector is turned. Crank arms connected to the extended ends of the wafer

switch shafts in each assembly, have pins which fit into slots in the sliding rack. Stops on the linkage prevent the band switch assembly from moving through more than five positions. Each wafer switch assembly is provided with a detenting mechanism to assure accurate positioning of the switch.

p. RECEPTION CONTROL FUNCTIONING.—The RECEPTION control operates in a manner similar to the band switch to actuate wafer switches in the second i-f, audio, and BFO assemblies to condition these circuits for the optimum conditions for reception of one of three classes of emission in the AN/SRR-11 receiver, or one of four classes of emission in the AN/SRR-12 or -13 receivers. Four positions of the control are used in the AN/SRR-11 corresponding to settings of FSK, A1 BROAD, A1 SHARP, and A2. Six positions of the control are used in the AN/SRR-12 and -13 corresponding to A1 BROAD, A1 SHARP, A2, A3 SHARP, A3 BROAD, and FSK. See Table 2-2 for circuits which are affected by the RECEPTION control, and how they are affected.

q. TUNING DIAL ASSEMBLY.—Refer to figure 7-7. The frequency to which the receiver is tuned appears projected on a translucent screen located at the upper left of the front panel. Calibration of the tuning dial is in kilocycles on the AN/SRR-11, and in megacycles on the AN/SRR-12 and -13.

The projection system consists of a glass disk on which the tuning range of the receiver is calibrated in five scales. A light source is mounted in a housing behind the tuning dial. A portion of one of the optical scales is projected through a system of lenses and onto a mirror which reflects the image of the scales back upon the translucent screen. The glass disk is rotated by gears as the tuning knob is turned. When the setting of the band switch is changed, the dial light and lens housing is moved up or down by a cam driven from the band switch gears to align the lens system with the corresponding frequency scale on the glass disk.

A CAL ADJUST KNOB and locking screw, located to the right of the tuning dial, provides a means of shifting the frequency scale on the translucent screen when recalibrating the receiver in conjunction with the crystal-controlled calibrator. This is done by a slight horizontal movement of the lens system.

Two bayonet-base lamps, I3601 and I3603 of the AN/SRR-11, I3701 and I3702 of the AN/SRR-12, and I3801 and I3802 of the AN/SRR-13, are mounted in the dial light housing. Either lamp can be illuminated and moved into physical alignment with the lens system by the setting of the LAMP switch, S3601, S3701,

TABLE 2-2. RECEPTION CONTROL FUNCTIONS

CONTROL POSITION	CONTROLLED CIRCUIT	FINAL CONTROLLED EFFECT			
		AN/SRR-11	AN/SRR-12	AN/SRR-13	AN/SRR-13A
A-1 BROAD	I-F selectivity	Sharp	Sharp	Sharp	Medium
	A-F selectivity	Broad	Broad	Broad	Broad
	AGC	—	Off	Off	On or Off
	Output limiter	On	On	On	On
	R-F gain control	Active	Active	Active	Active
	BFO	On	On	On	On
	Silencer circuit	—	Inactive	Inactive	Inactive
A-1 SHARP	I-F selectivity	Sharp	Sharp	Sharp	Sharp
	A-F selectivity	Sharp	Sharp	Sharp	Sharp
	AGC	—	Off	Off	On or Off
	Output limiter	On	On	On	On
	R-F gain control	Active	Active	Active	Active
	BFO	On	On	On	On
	Silencer circuit	—	Inactive	Inactive	Inactive
A-2**	I-F selectivity	Medium	Medium	Medium	Sharp
	A-F selectivity	Broad	Broad	Broad	Sharp
	AGC	—	Off	Off	On or Off
	Output limiter	On	On	On	On
	R-F gain control	Active	Active	Active	Active
	BFO	Off	Off	Off	Off
	Silencer circuit	—	Inactive	Inactive	Inactive
A-3 SHARP	I-F selectivity	—	Medium	Medium	Medium
	A-F selectivity	—	Broad	Broad	Broad
	AGC	—	On	On	On or Off
	Output limiter	—	Off	Off	Off
	R-F gain control	—	Inactive	Inactive	Inactive
	BFO	—	Off	Off	Off
	Silencer circuit	—	Active	Active	Active
A-3 BROAD	I-F selectivity	—	Broad	Broad	Broad
	A-F selectivity	—	Broad	Broad	Broad
	AGC	—	On	On	On or Off
	Output limiter	—	Off	Off	Off
	R-F gain control	—	Inactive	Inactive	Inactive
	BFO	—	Off	Off	Off
	Silencer circuit	—	Active	Active	Active
FSK	I-F selectivity	Sharp	Sharp	Sharp	Medium
	A-F selectivity	Broad	Broad	Broad	Broad
	AGC	—	On	On	On or Off
	Output limiter	Off	Off	Off	Off
	R-F gain control	Active	Inactive	Inactive	Inactive
	BFO	On	On*	On*	On*
	Silencer circuit	—	Inactive	Inactive	Inactive

* The beat note with **FREQ. VERNIER** control centered, and input frequency tuned to the i-f (maximum reading on **TUNING** meter) 2550 cycles in these positions, 0 cycle in all others.

** A1 MEDIUM for AN/SRR-13A.

or S3801, located on the front of the dial assembly. The bulbs are accessible from the top of the receiver after the cover plate to the dial light housing has been removed. Adjustments O3626 of the AN/SRR-11, O3726 of the AN/SRR-12, and O3826 of the AN/SRR-13 are provided to locate the lamp filament in the optimum position.

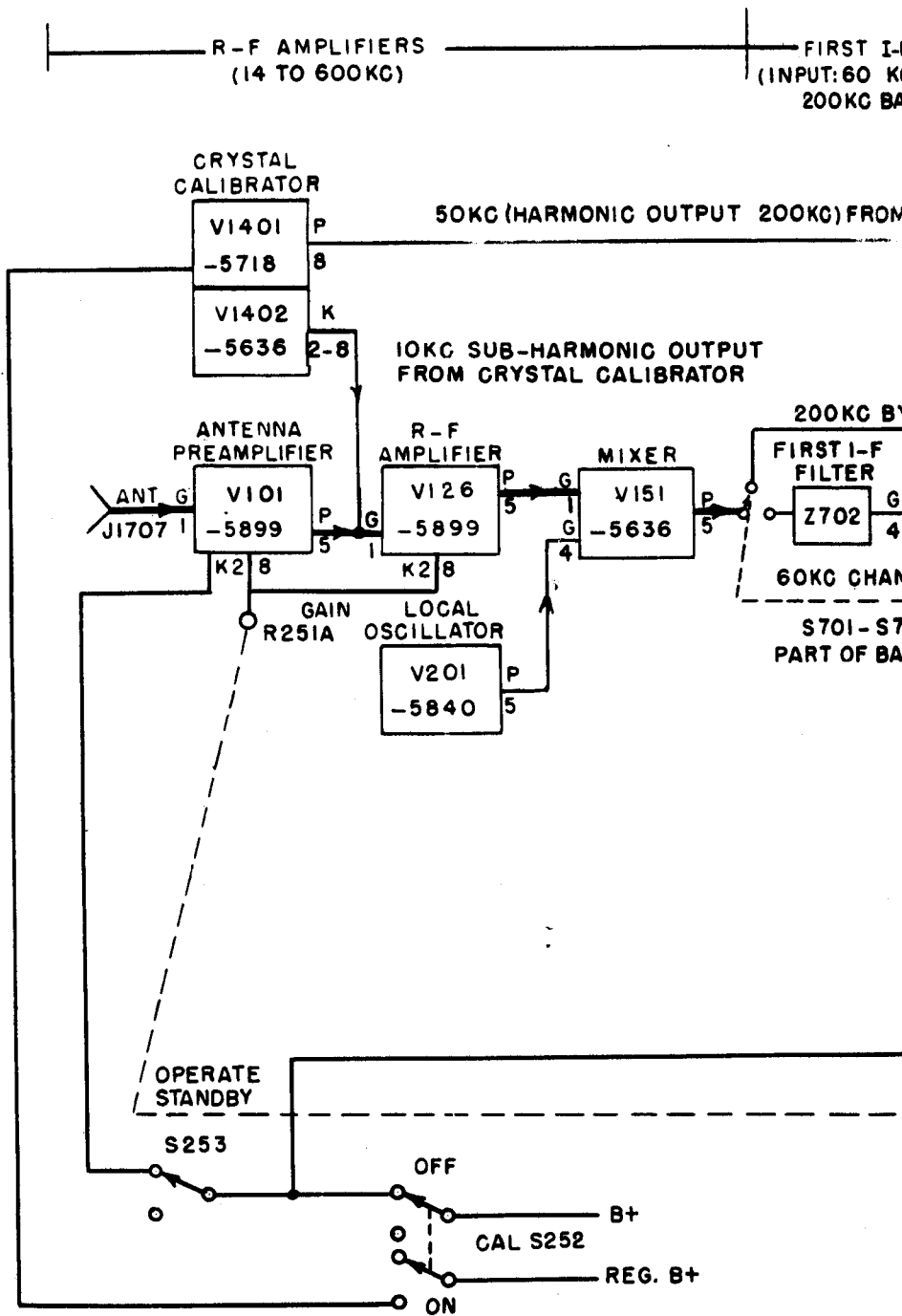
The dial lamp also provides illumination for the logging dial by the means of an aperture in the side of the dial light housing. Brilliance of the dial light is controlled, from maximum to extinguished, by the setting of the DIM control, R3601, R3701 or R3801, depending on receiver type. This control is located on the front of the dial assembly. The dial lamps are con-

nected to the 6.3-volt winding of T1601 (terminal 14 to ground) through E251-1 and J263V, or E451-1 and J463V, or E651-1 and J653V, depending on receiver type.

The logging dial assembly is comprised of two movable scales located below the translucent screen. An index marker "O" is located between the two movable scales. The movable scales are driven through reduction gears by the tuning knob so that the top scale, calibrated in hundreds from zero to one thousand, moves between two one-hundred markers while the bottom scale makes a complete rotation, from zero to one hundred in steps of one.

AN/SRR-11, -12, -13
THEORY OF OPERATION

NAVSHIPS 91875(A)



CHANGE 1

NAVSHIPS 91875(A)

FIRST I-F ASSEMBLY
 (60 KC BANDS 1 AND 4
 200 KC BANDS 2, 3, AND 5)

SECOND I-F ASSEMBLY
 (200 KILOCYCLES)

(KC) FROM CRYSTAL CALIBRATOR

200 KC BYPASS

FIRST I-F FILTER
 Z702
 FIRST I-F
 V701 -5636
 200 KC CHANNEL

S701 - S702
 PART OF BAND SWITCH

TUNING INDICATOR
 M251

LOW

HIGH

S254
 HIGH-LOW SWITCH

S1001 SHARP
 Z1001
 S1002

A1 FSK
 Z1002
 A2

1ST AMPLIFIER
 V1001
 -5899

2ND AMPLIFIER
 V1002
 -5899

3RD AMPLIFIER
 V1003
 -5899

DIODE DETECTOR
 V1005
 -5647

NOISE LIM
 V
 -5

S1003

FSK

A2

GAIN
 R251B

A1, FSK
 S1301

BFO
 V1301
 -5840

BFO MIXER
 V1004
 5636

S1003

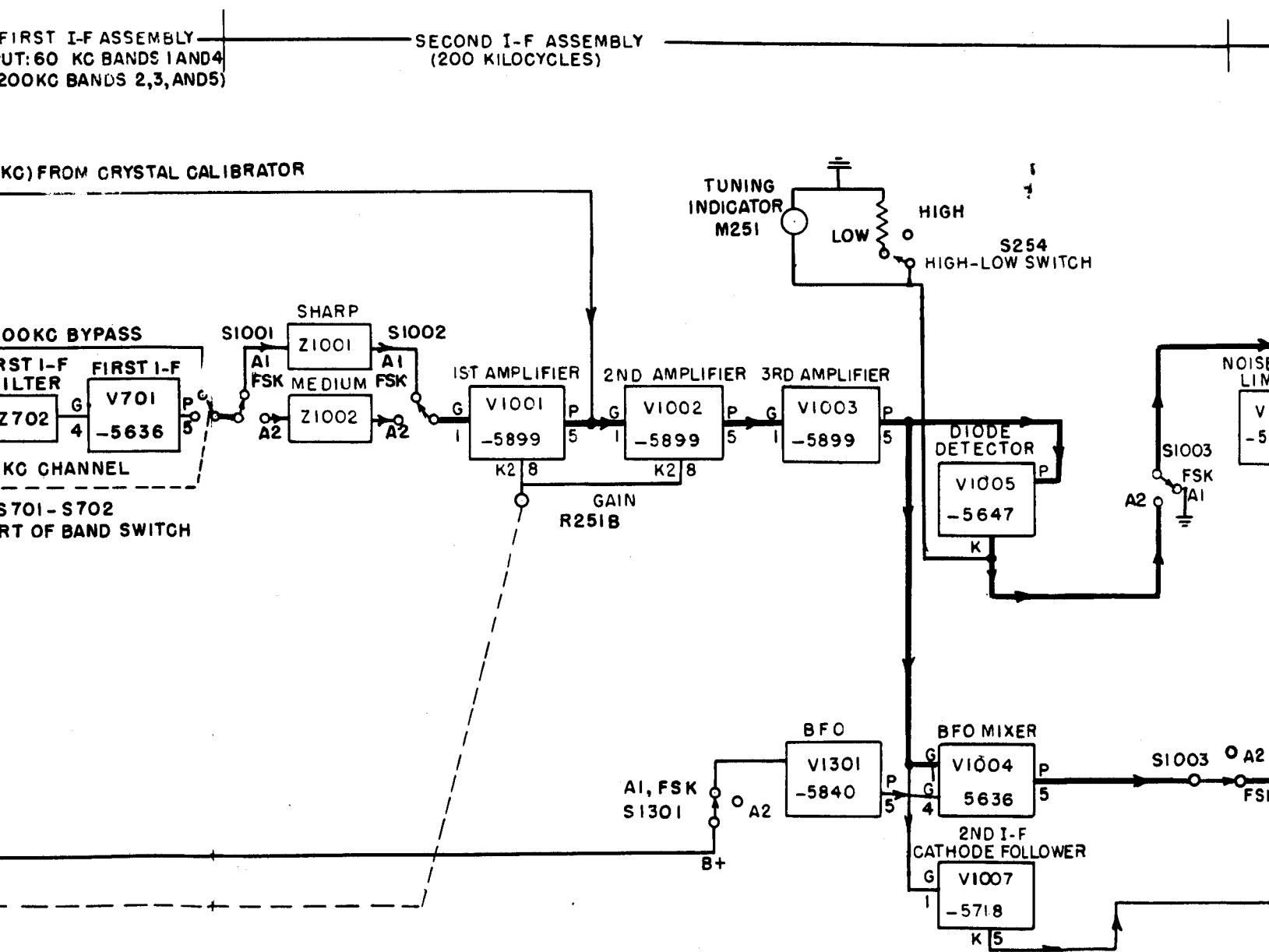
A2

FSK

B+

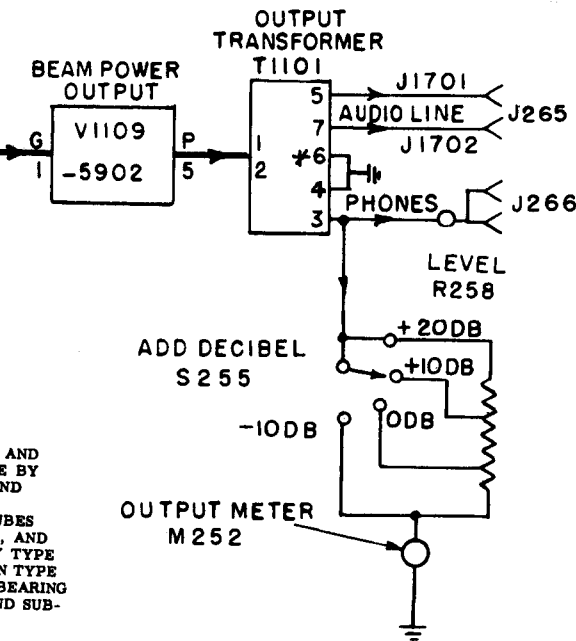
2ND I-F
 CATHODE FOLLOWER
 V1007
 -5718

K 5



OUTPUT CONTROL
257A

* PIN 6 OF T1101 MAY BE
GROUNDED OR UNGROUNDED
(SEE INSTALLATION PLAN)



AND
E BY
ND

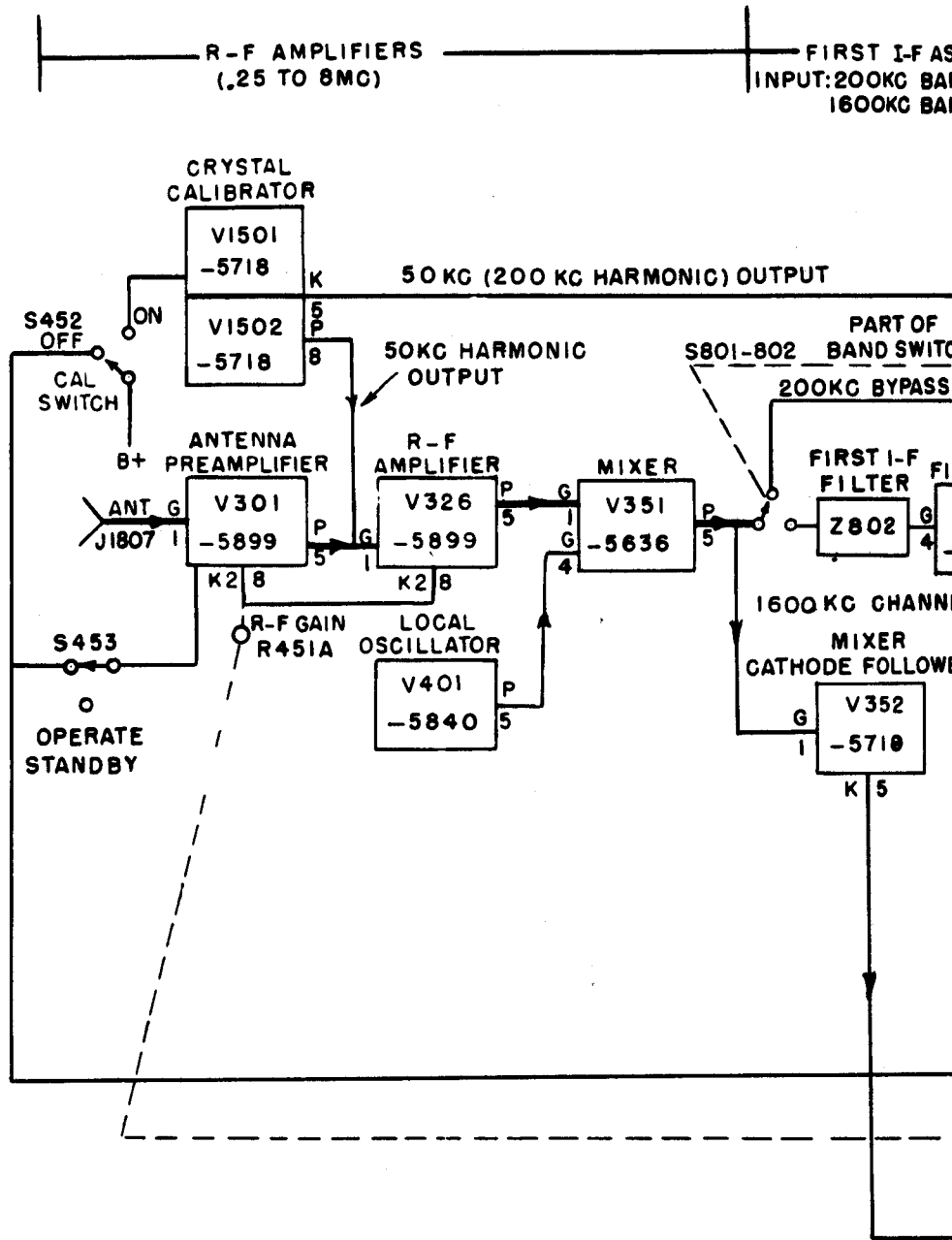
BES
, AND
TYPE
N TYPE
BEARING
ID SUB-

J1705 IF

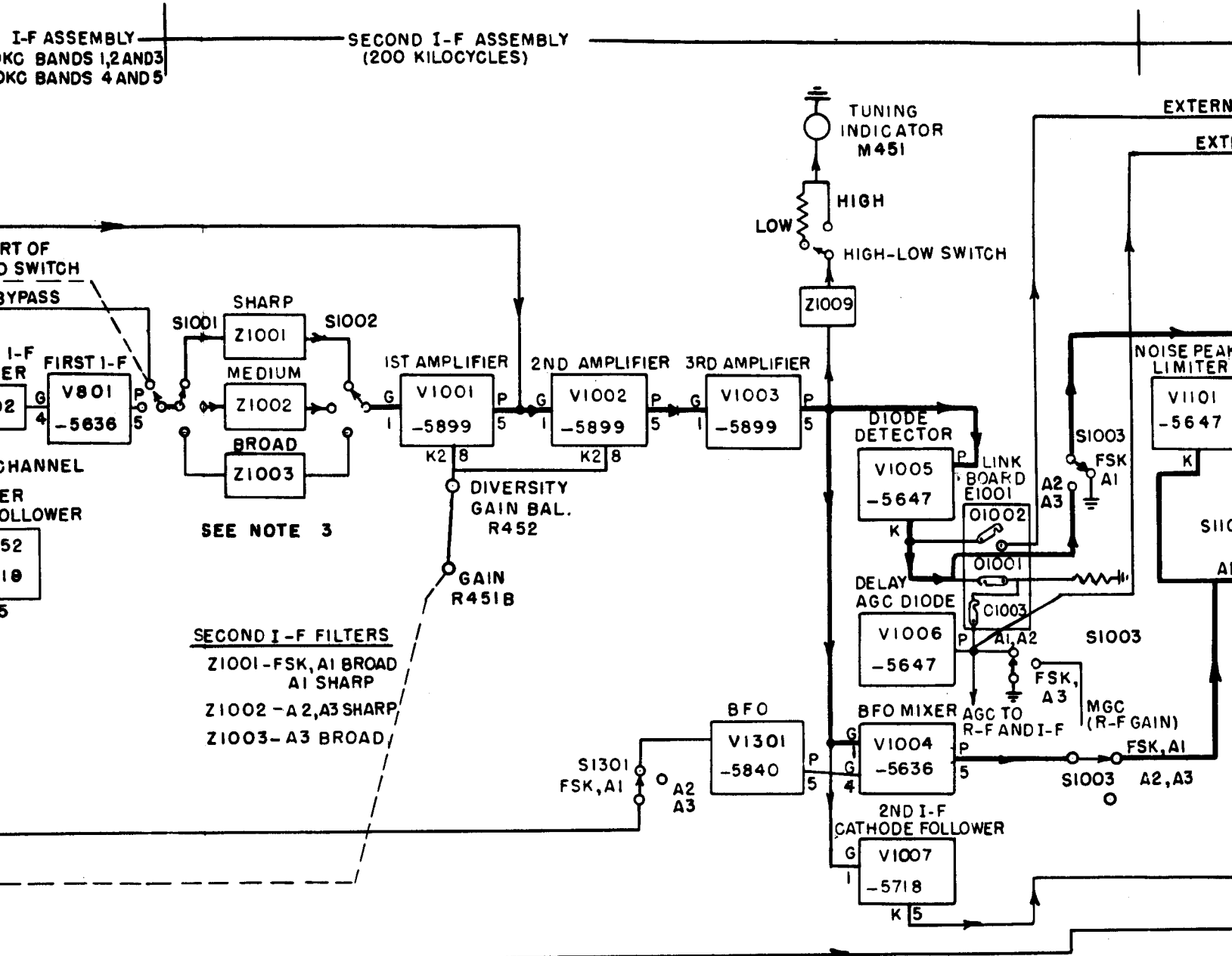
Figure 2-8. Functional Block Diagram, AN/SRR-11

AN/SRR-11, -12, -13
THEORY OF OPERATION

NAVSHIPS 91875(A)



NAVSHIPS 91875(A)



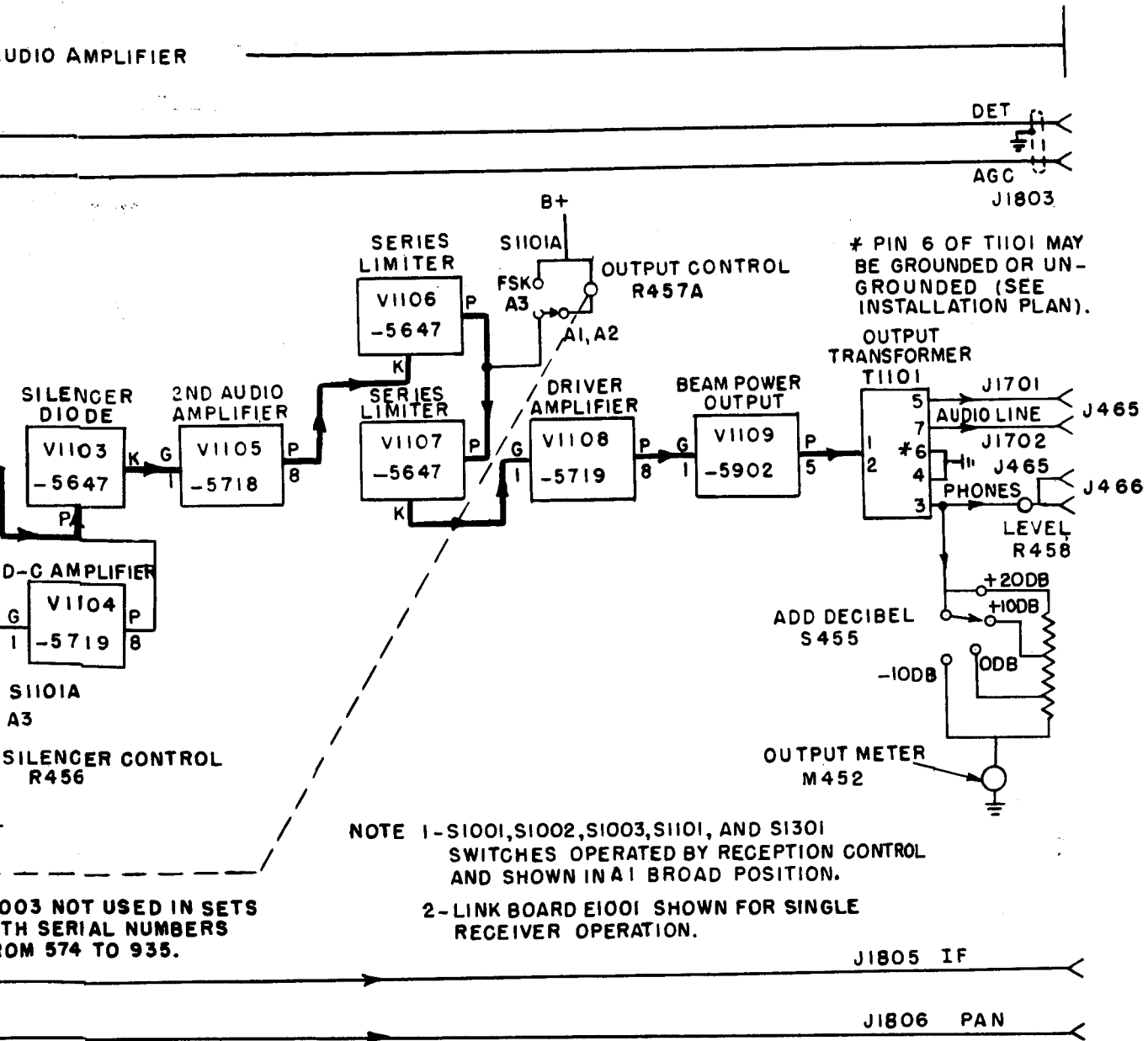
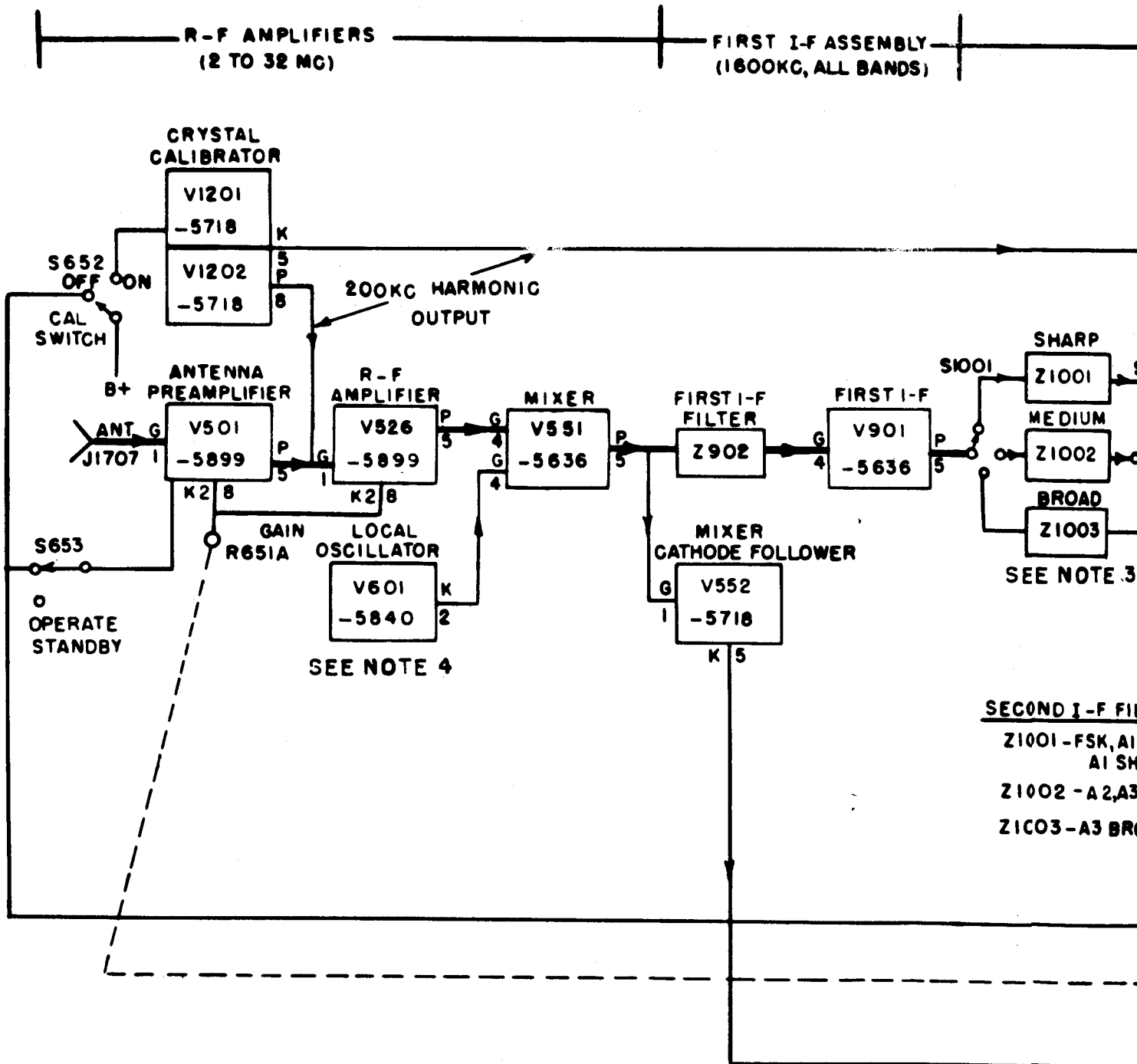
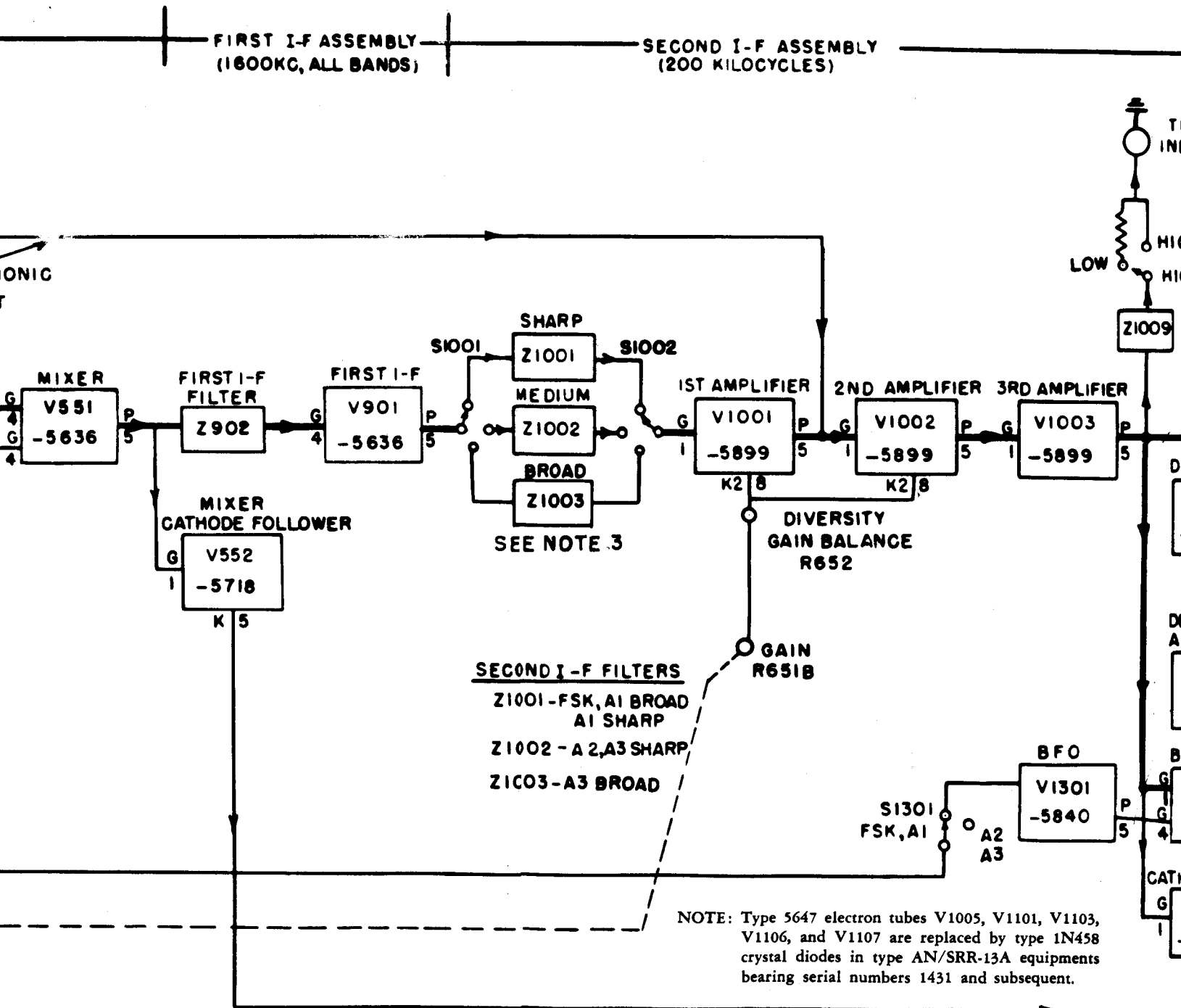


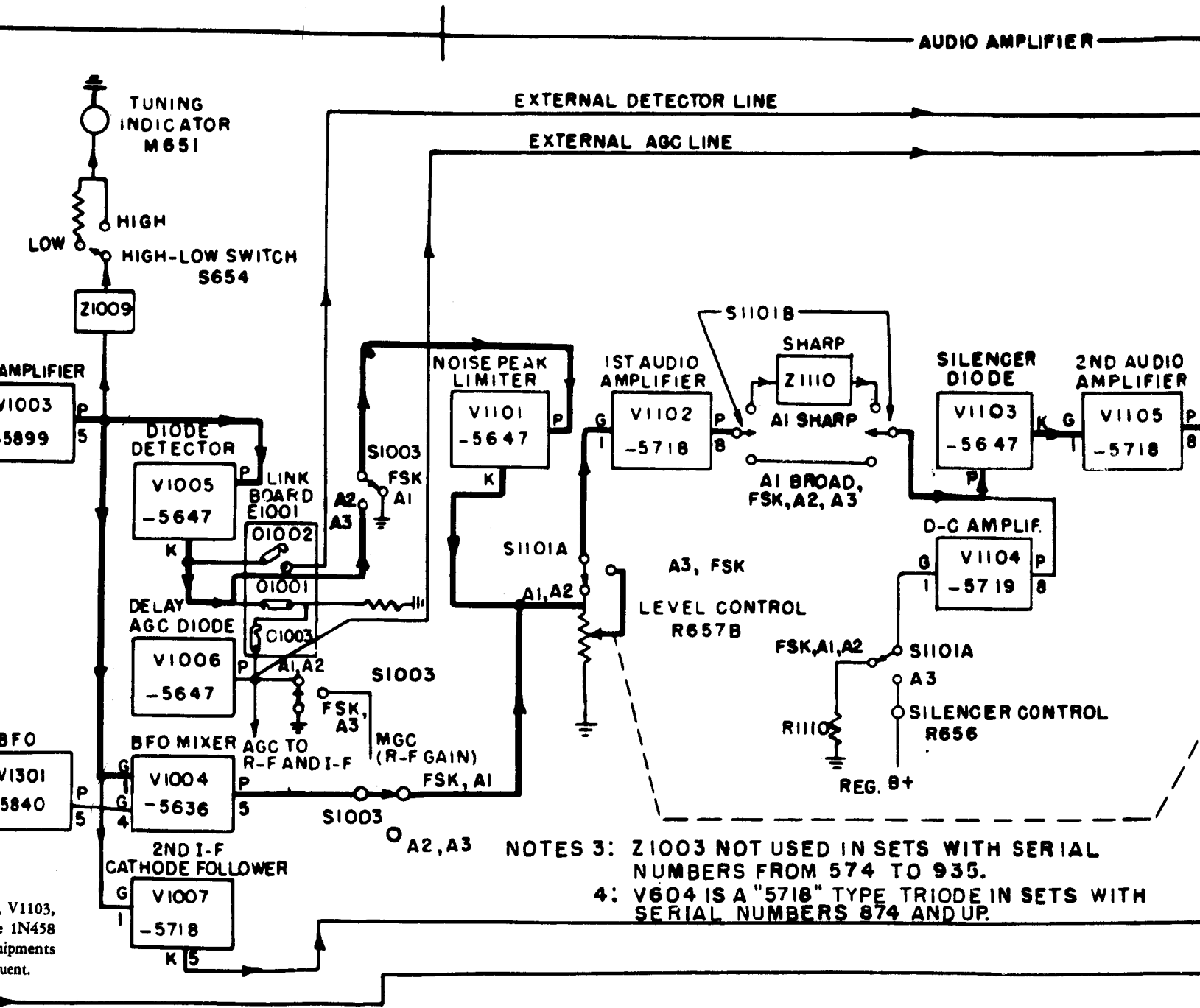
Figure 2-9. Functional Block Diagram, AN/SRR-12



SECOND I-F FILTER

- Z1001 - FSK, AI SH
- Z1002 - A2, A3
- Z1003 - A3 BR





NOTES 3: Z1003 NOT USED IN SETS WITH SERIAL NUMBERS FROM 574 TO 935.

4: V604 IS A "5718" TYPE TRIODE IN SETS WITH SERIAL NUMBERS 874 AND UP.

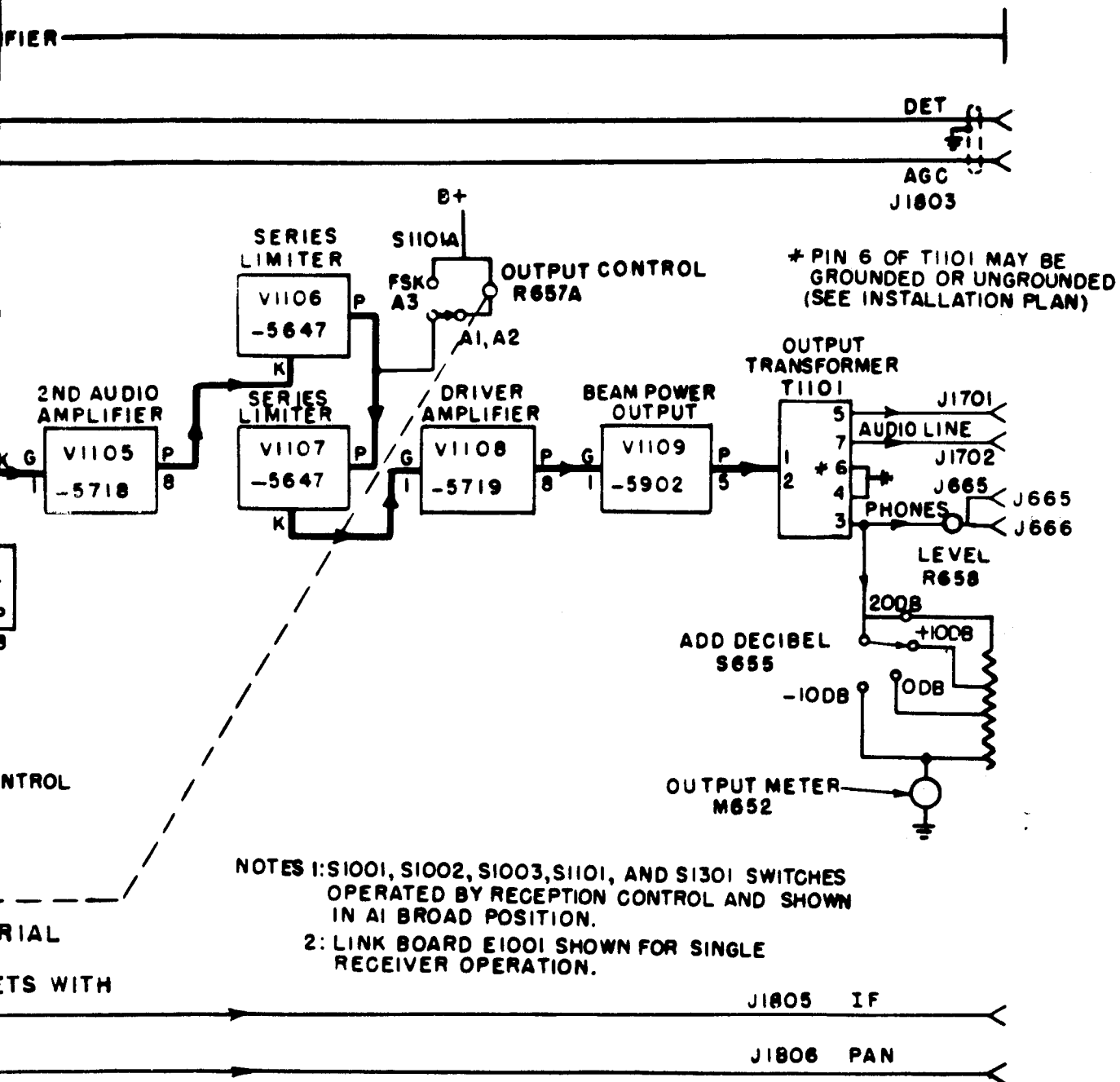
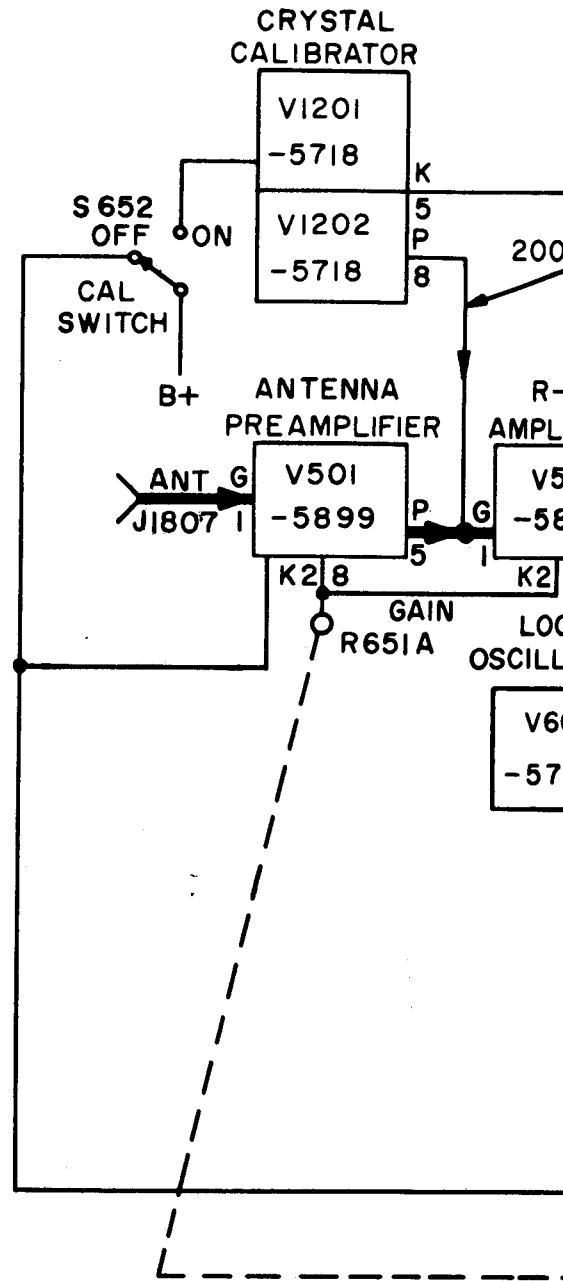


Figure 2-10. Functional Block Diagram, AN/SRR-13

AN/SRR-11, -12, -13
THEORY OF OPERATION

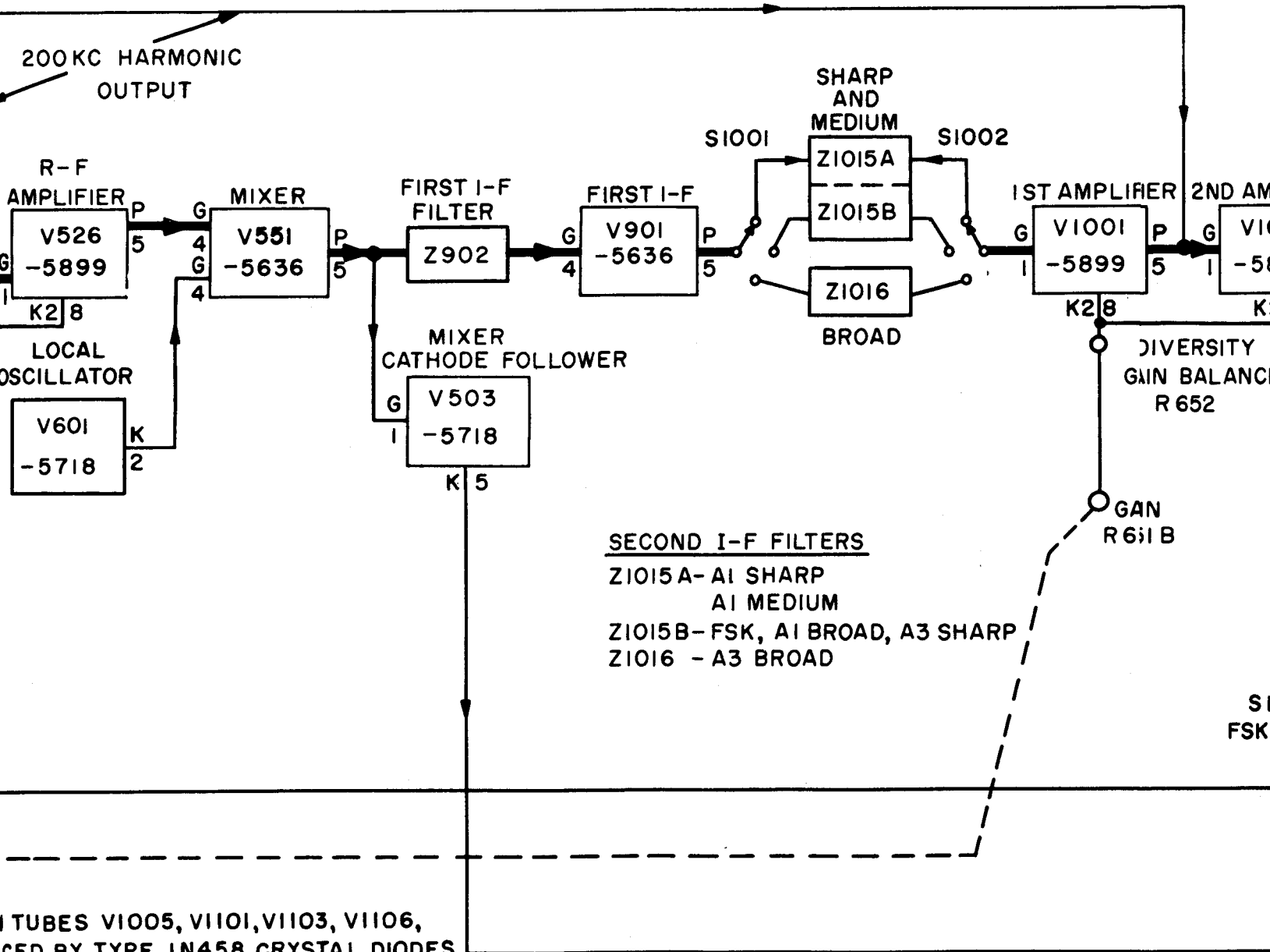
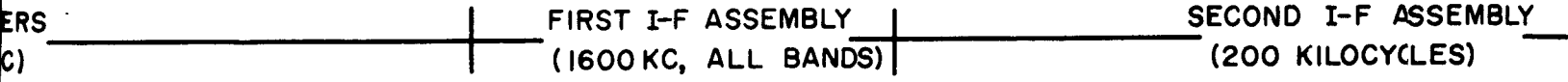
NAV

R-F AMPLIFIERS
(2 TO 32 MC)



NOTES:

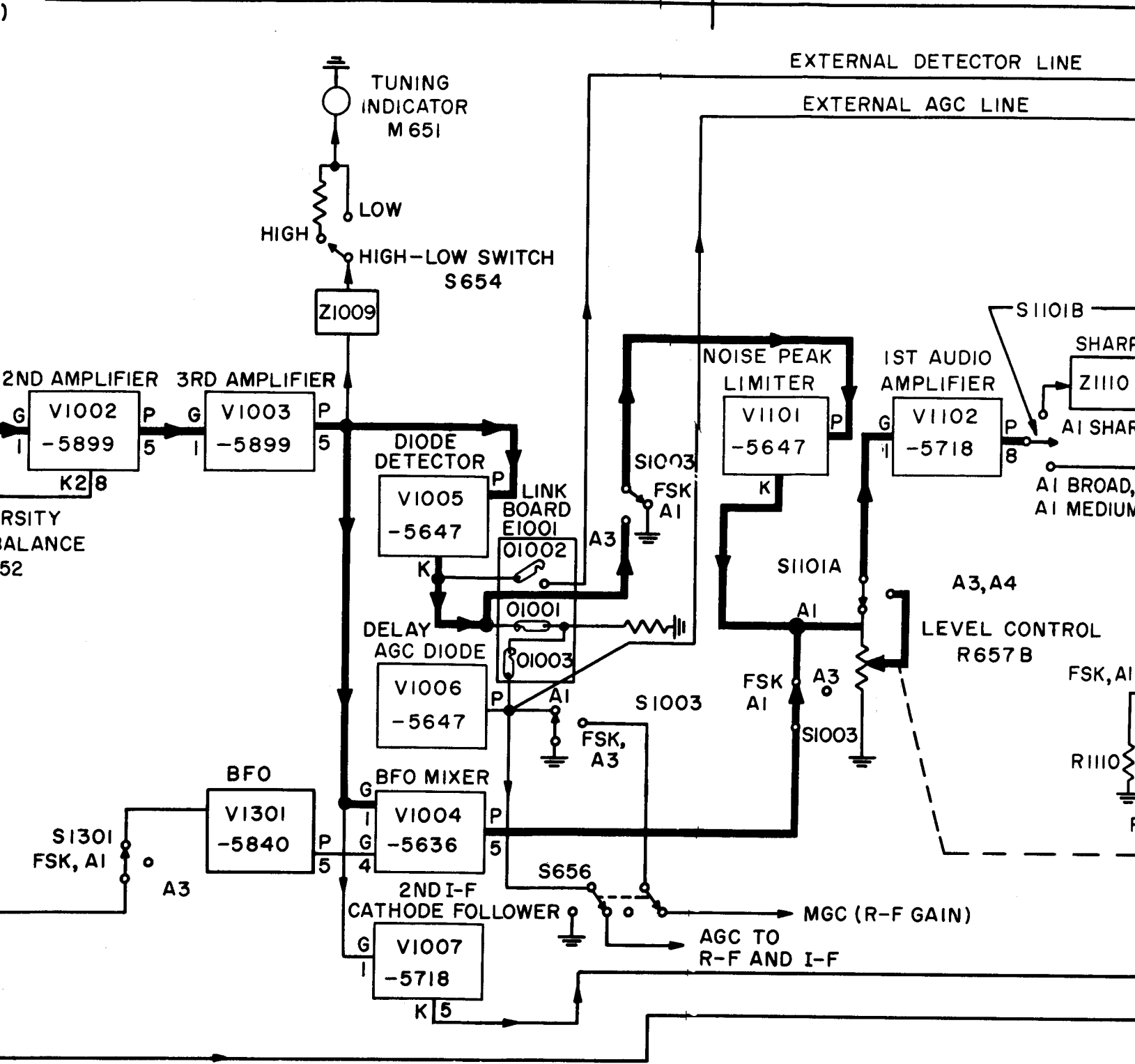
3. TYPE 5647 ELECTRON TUBE AND V1107 ARE REPLACED BY IN TYPE AN/SRR-13A EQUIP NUMBERS 1431 AND SUBSEC



TUBES V1005, V1101, V1103, V1106,
 REPLACED BY TYPE IN458 CRYSTAL DIODES
 ON EQUIPMENTS BEARING SERIAL
 NUMBER 10000 AND SUBSEQUENT.

SI
 FSK

MBLY



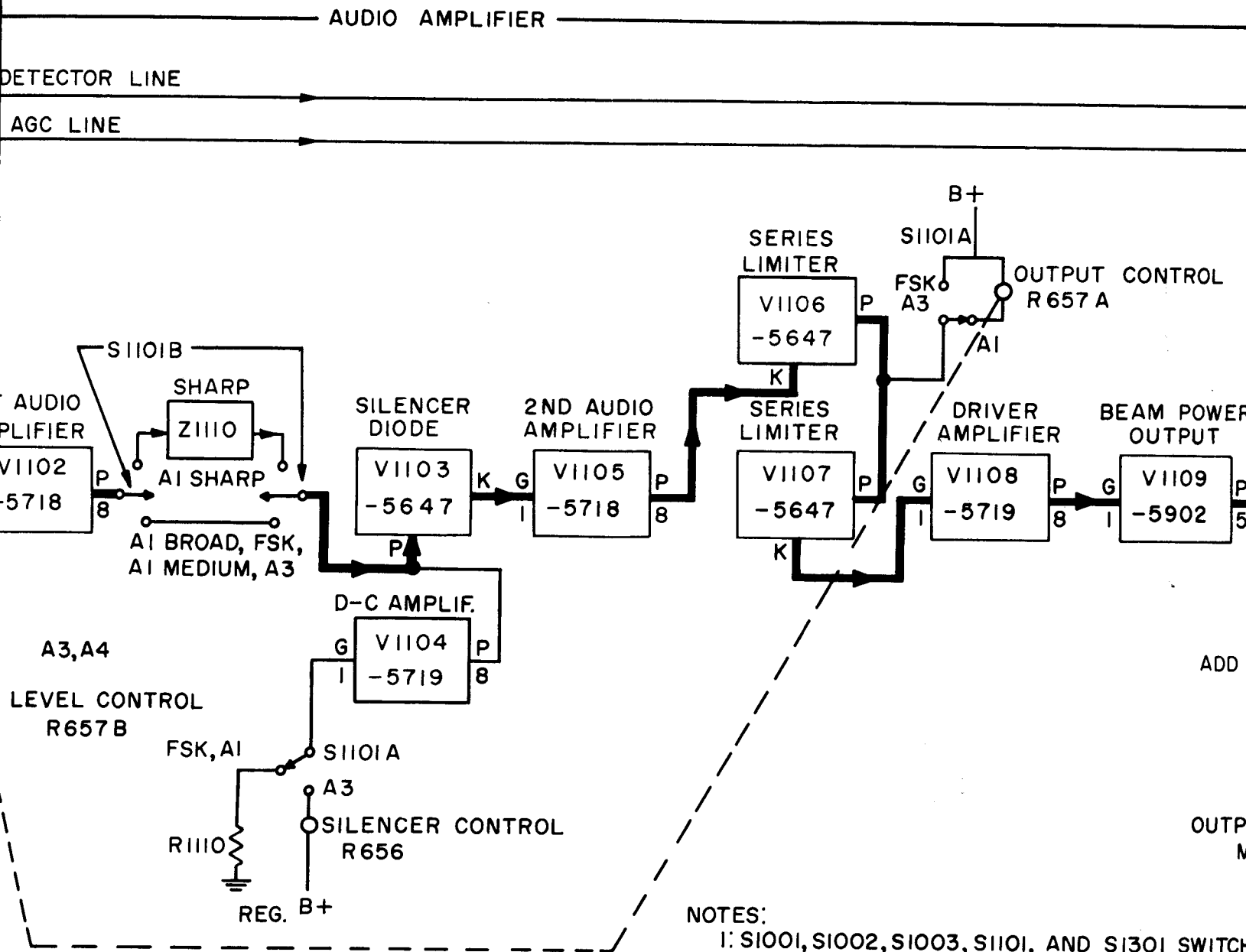
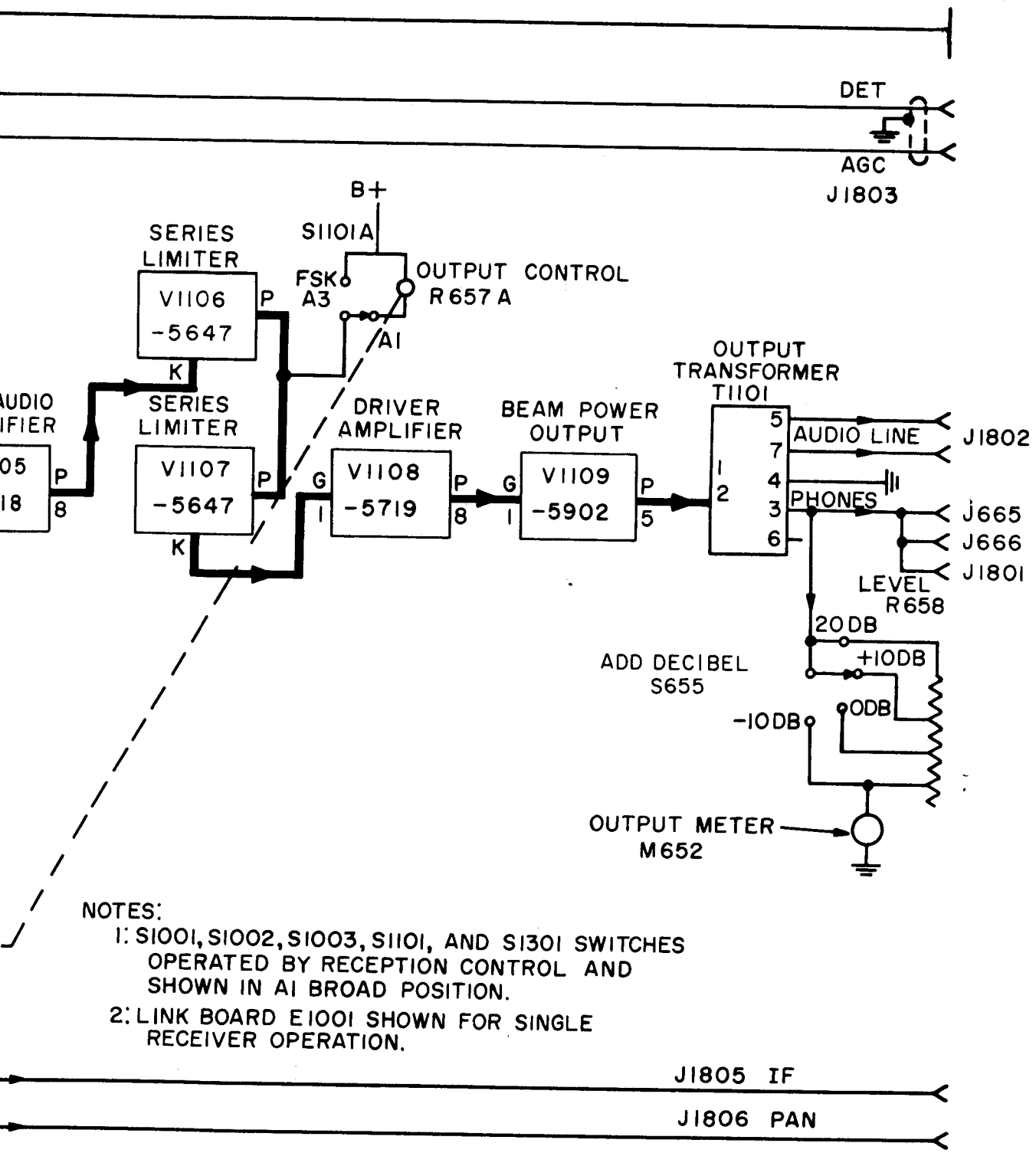


Figure 2-10A. Functional Block Diagram



NOTES:
 1: S1001, S1002, S1003, S1101, AND S1301 SWITCHES OPERATED BY RECEPTION CONTROL AND SHOWN IN AI BROAD POSITION.
 2: LINK BOARD E1001 SHOWN FOR SINGLE RECEIVER OPERATION.

Figure 2-10A. Functional Block Diagram, AN/SRR-13A

SECTION 3 INSTALLATION

1. UNPACKING.

a. GENERAL.—Radio Receiving Sets AN/SRR-11, AN/SRR-12, or AN/SRR-13 includes equipment shown in figure 1-1 and listed in Table 1-1. Shipping data is given in Table 1-3.

CAUTION

The receivers are shipped with the chassis mounted in their cabinet and the electron tubes in place. Avoid extreme shocks when unpacking and installing the equipment in order not to damage any part.

b. UNPACKING PROCEDURE.—The tools required for unpacking include a pair of tin snips, a nail puller, a prying tool, and a penknife.

Set the crate containing the equipment in a position as shown in figure 3-1, step (1) and follow the procedure given below and illustrated in figure 3-1:

(1) Clip the two metal bands that bind the wooden crate.

(2) Pull out nails and remove the top cover and two sides.

(3) Tear open the waterproof paper wrapping.

(4) Remove the four corner supports and top corrugated pad.

(5) Remove the corrugated box containing the receiver from the wooden crate.

(6) Open the four flaps of the corrugated box and remove the corrugated container.

(7) Tear open the moistureproof paper barrier.

(8) Open the four flaps on the corrugated container and carefully remove the items of Radio Receiving Sets AN/SRR-11, -12, or -13.

(9) Check the items removed against those listed in Table 1-1.

2. INSTALLATION.

Radio Receiving Sets AN/SRR-11, AN/SRR-12, and AN/SRR-13 are intended for shipboard operation.

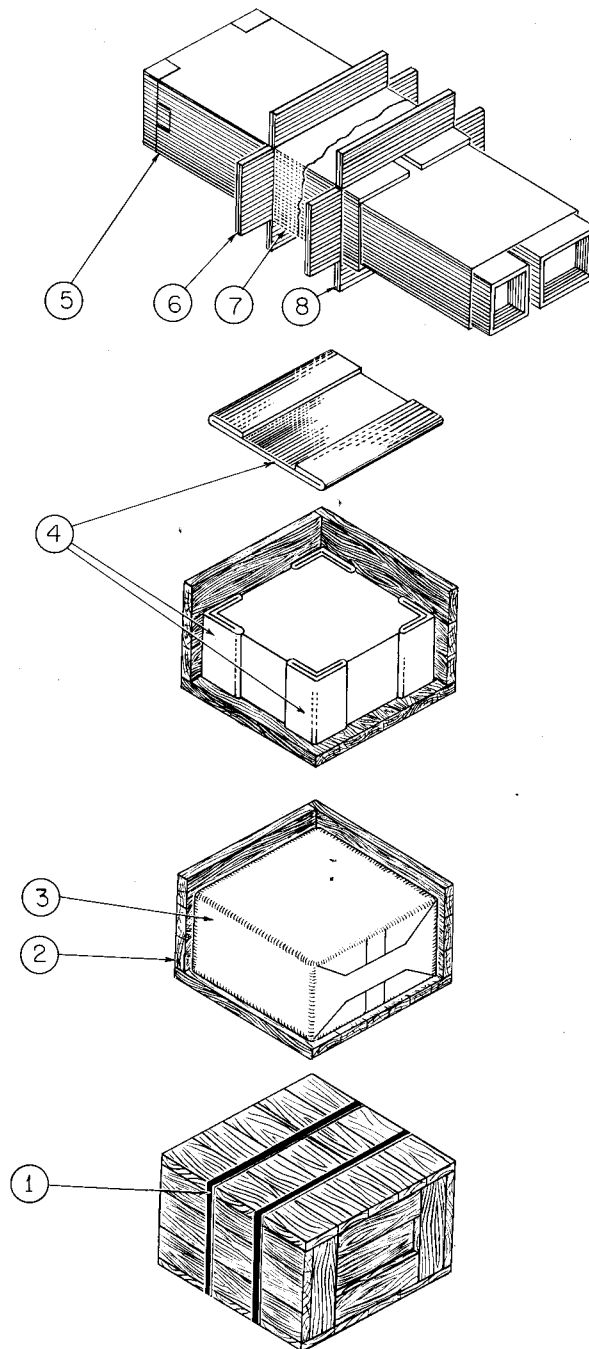


Figure 3-1. Unpacking

Powered from a 105, 115 or 125-volt, 50-60 or 400-cycle a-c supply, they are designed for table-top installation without the use of shock mounts.

a. REMOVING THE CHASSIS.—Refer to figure 3-2. Lift the circular metal catches located toward the bottom of the two handles at the sides of the front panel and raise the two release bars astride the handles as far as they will go, then slide the chassis out. Depress the two chassis release levers located on the sides of the chassis, and pull the chassis off of the slide assembly (support the chassis and the cabinet while removing chassis from slide assembly).

b. MOUNTING THE RECEIVER CABINET.—After the chassis has been removed from its cabinet as described in paragraph 2a, drill four $\frac{7}{16}$ -inch clearance holes through the mounting surface in accordance with the drawing of the cabinet bottom view shown in figure 3-13. Allow at least three inches at the back of the cabinet for cable clearance. Determine length of the $\frac{3}{8}$ -24 bolts for mounting by adding $\frac{5}{8}$ inch to the thickness of the mounting surface. Insert the bolts, lockwashers, and flatwashers as shown in Typical Mounting Section of figure 3-13. Connect a grounding braid to one of the mounting bolts as directed in particular installation plan (see paragraph 3d).

NOTE

If the receiver is to be mounted so that the back of the cabinet is close to a bulkhead, connect the power input and output cables to the receptacles at the back of the cabinet before securing the receiver cabinet to the mounting surface. See paragraphs 2d, 2e, and 2f for cable information. Leave a minimum space of 2 inches around the equipment for ventilation.

NOTE

All shipboard installations should be made in accordance with approved Bureau of Ships drawings.

c. REPLACING THE CHASSIS.—Extend the two racks mounted on the inside walls of the receiver cabinet their full length, then lift the chassis into position so the rails at the sides of the chassis engage the tracks in the cabinet. Push the chassis on the slide assembly until the locking mechanism clicks into place. Then depress the two release levers at the sides of the chassis, and continue pushing the chassis into the cabinet as far as it will go. Push the release bars back in position on the handles. They will supply the leverage needed

to secure the chassis in the cabinet. Make sure the two round metal catches on the release bars are down so the bars stay in place.

d. CABLING.—Cables must be run to appropriate receptacles at the back of the receiver to complete installation. See figures 3-3 and 3-13. In a standard installation, these cables will include the power line, antenna lead, and one or two audio cables. Receptacles have been provided for use with a panoramic adapter and frequency shift converter of either the i-f or audio type. A receptacle labeled DET. AGC has been provided on the AN/SRR-12 and -13 receivers for diversity application. Table 3-1 lists cable connectors and functions.

Fabricate those cables that are needed for the particular installation considered, following the cable fabrication instructions given below in paragraph 2e. Then connect these cables as described in paragraph 2f.

Run the cables as directly as possible from their external connections to the receiver, avoiding any sharp bends in the leads. Allow about six inches of slack in the cable at the receiver end so the cable connectors can be attached to the receptacles without pulling or binding at the connection.

e. CABLE FABRICATION.—Receptacles are provided at the rear of the receiver and are labeled I.F., PAN, ANT., POWER, AUDIO, and DET. AGC. These are shown in figure 3-3 together with their external mating connectors and related cables. The connectors are provided in a paper container packed with the receiver. These connectors are shown in figure 1-1. The tools needed for fabrication of cables to these connectors are a pair of long nose pliers, a pair of diagonal pliers, a screwdriver (4-inch blade), a soldering iron, solder, and a small knife. Instructions for fabricating cable to plug is as follows:

(1) I-F (UG-88/U PLUG).—Using a cable having an outside diameter of $\frac{1}{4}$ inch and a characteristic impedance of 50 ohms such as RG-58/U or equivalent. Fabricate cable to plug according to the instructions given in figure 3-4.

(2) PAN. (UG-88/U PLUG).—Use the same procedure as outlined for fabrication of I-F cable in the preceding paragraph.

(3) ANT (UG-21B/U PLUG).—Using a cable having an outside diameter of $\frac{3}{8}$ inch and a characteristic impedance of 70 ohms such as RG-12/U or equivalent and fabricate cable to plug according to the instructions in figure 3-5. If armored cable is used make certain that rear connector nut grips armor securely.

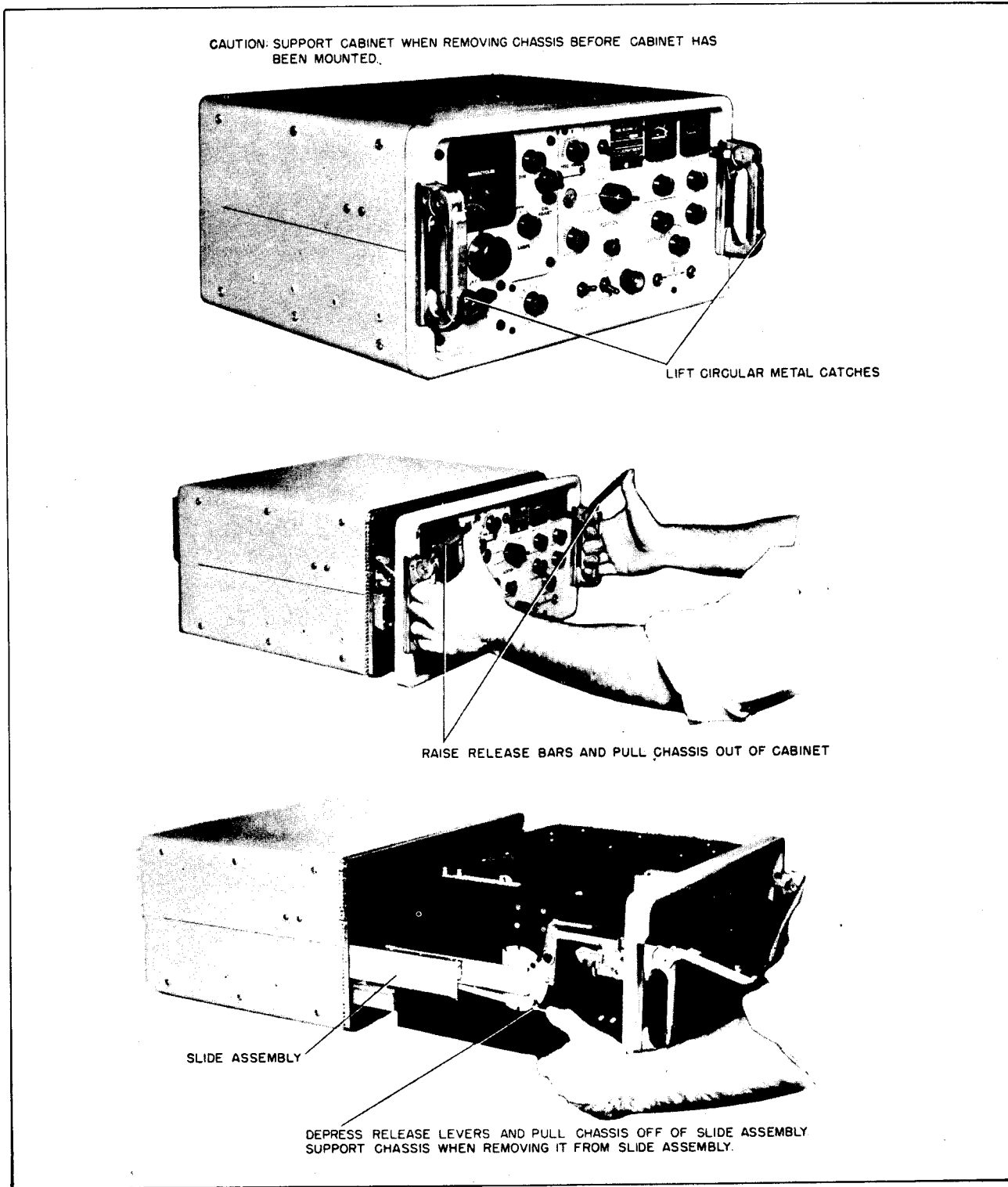


Figure 3-2. Removal of Chassis from Cabinet

TABLE 3-1. CABLE CONNECTORS AND FUNCTIONS

NAME	TYPE CONNECTOR	CONTACTS USED	FUNCTION	NAVY TYPE UNIT
AUDIO (2) AUDIO PHONE* AUDIO LINE*	AN-3106A-10SL-4S	A, B	AUDIO and F1 Output	Loud-Speaker Amplifier Frequency Shift Converter
DET. AGC	AN-3106A-10SL-4S	DET-A and ground AGC-B and ground	Output for External Detector and AGC	Receiver (AN/SRR-12 or -13)
POWER	AN-3106A-16S-5S	B, C A-ground	Power cable	105-115 or 125 volt, 50-60 or 400 cycle supply
IF	UG-88/U	Center and Shell	I-F output to Frequency Shift Converter or Pan Adapter	Frequency Shift Converter and Panoramic Adapter
PAN	UG-88/U	Center and Shell	Output to Panoramic Adapter	Panoramic Adapter
ANT	UG-21B/U	Center and Shell	Antenna input	Antenna

* For AN/SRR-13A.

(4) **POWER (AN-3106A-16S-5S PLUG).**—Select a cable having an outside diameter of 1/2 inch such as MCOS-2 or equivalent, and fabricate the cable to plug as shown in figure 3-6. If armored cable is used, make certain that cable clamp grips the armor securely. See Table 3-1 for plug contacts used.

(5) **AUDIO (AN-3106A-10SL-4S PLUG).**—Select a cable having an outside diameter of 3/8 inch such as TTHFWA-1-1/2 or equivalent and fabricate cable to plug according to the instructions given in figure 3-6. If armored cable is used, make certain that the cable clamp grips the armor securely. See Table 3-1 for plug contacts used.

(6) **DET. AGC (AN-3106A-10SL-5S PLUG).**—Select a shielded cable having an outside diameter of 3/8 inch such as TTRSA or equivalent and fabricate cable to plug according to the instructions given in figure 3-6. If armored cable is used, make certain that the cable clamp grips the armor securely. See Table 3-1 for plug contacts used. Use cable shield as ground connection.

f. EXTERNAL CONNECTIONS.—As stated in paragraph 2d, the intended application of the equipment will determine what particular cables are to be used. The cables having been fabricated as set forth in the preceding paragraph 2e, connect them as described below and as shown in figure 3-3, in accordance with the contemplated installation requirement.

(1) **NORMAL INSTALLATION.**—An antenna cable, a power cable, and one or two audio output cables are required. Fabrication of these cables is described in paragraphs 2e(3), 2e(4), and 2e(5) respectively.

Connect the ANTENNA CABLE to the ANT receptacle at the back of the radio receiver and to the radio receiving antenna to be used.

Connect the AUDIO CABLE (or cables) to the AUDIO receptacle(s) at the back of the radio receiver and to the loudspeaker, headset, or other associated audio-frequency equipment.

On AN/SRR-13A equipments the AUDIO PHONE receptacle at the back of the radio receiver is to be used for a permanently installed headset circuit (it is a duplication of the front panel PHONES jack, and governed by the headset LEVEL control). The AUDIO LINE receptacle provides direct output of the audio amplifier, and is to be used for connection to a loudspeaker or other associated audio-frequency equipment.

Before connecting the POWER CABLE, make sure that the adjustments described in paragraph 3b have been made. Then connect the power cable to the POWER receptacle at the back of the radio receiver and to the power source used for energizing the receiver.

(2) **FREQUENCY SHIFT (F1) OPERATION.**—Two outputs are provided on the radio receiver to feed frequency shift converters. One of these is an i-f output at 200 kc, the other is an audio output taken from the balanced audio line.

An ANTENNA CABLE and a POWER CABLE are required. Connect these in the same manner as described above in paragraph 2f(1).

Either an i-f output (200 kc) cable or an audio output cable is also required. Fabrication of these two cables is described in paragraphs 2b(1) and 2e(5). Connect the desired cables as follows:

Connect the 1-F CABLE to the I.F. connector at the back of the radio receiver and to the proper i-f input connection on a frequency shift converter or other apparatus having similar 200-kc signal input requirements.

Connect the AUDIO CABLE to the AUDIO connector at the back of the radio receiver and to the audio input connection of frequency shift converter of a converter-comparator group or to the input connection of a facsimile converter.

(3) **PANORAMIC ADAPTER CONNECTION.**—Radio Receivers AN/SRR-12 and -13 are provided with an output to feed a panoramic adapter. An ANTENNA CABLE, a POWER CABLE, and a PAN

RECEIVER-RECEPTACLES

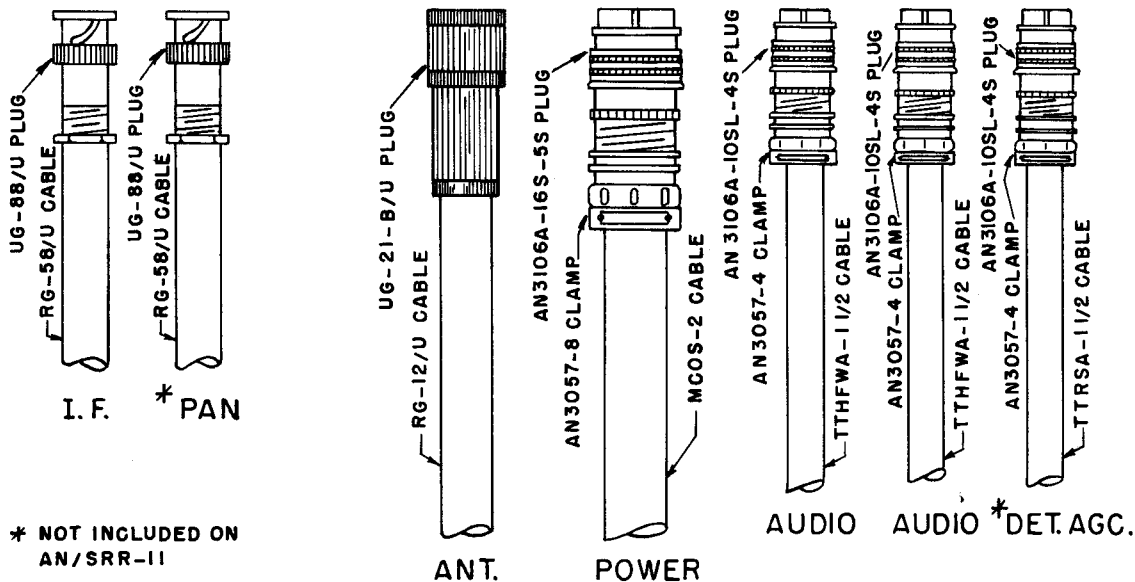
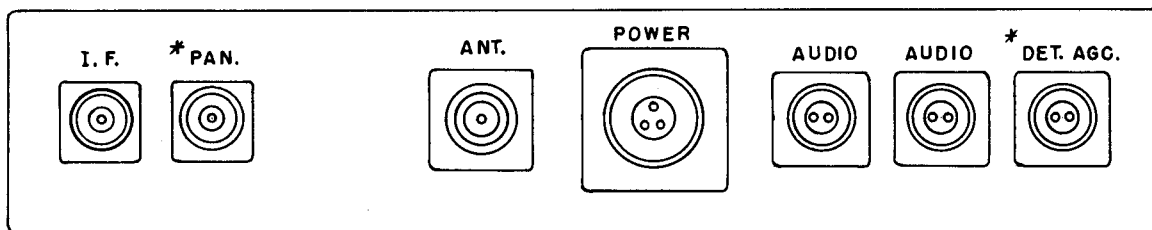


Figure 3-3. External Cabling Diagram

CABLE are required. Fabrication of these cables is described in paragraphs 2e(3), 2e(4), and 2e(2) respectively.

Connect the ANTENNA CABLE and POWER CABLE as described in paragraph 2f(1).

Connect the PAN CABLE to the PAN receptacle at the back of the radio receiver. Connect the other end of the cable to the appropriate input terminal on the panoramic adapter.

(4) DUAL DIVERSITY CONNECTION.—Two outputs are provided in the AN/SRR-12 or -13 receivers to operate in a dual diversity system. One of these outputs is the detector voltage, and the other is automatic gain control voltage. They both come through a common receptacle labeled DET. AGC at the back of the receiver cabinet. Two ANTENNA CABLES, two POWER CABLES, and one DET. AGC CABLE are required. Fabrication of these cables is described in paragraphs 2e(3), 2e(4) and 2e(6) respectively.

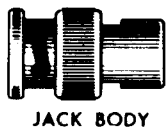
Connect the ANTENNA CABLES and the POWER CABLES as described in paragraph 2f(1). Use one ANTENNA CABLE between each receiver and Antenna, and one POWER CABLE between each receiver and power source. Do not connect the ANTENNA CABLES to the receiver until the adjustments described in paragraph 3i have been made.

Connect the DET. AGC cable between the two receivers using the DET. AGC receptacle at the back of the receiver for this connection.

The antennas should be appropriately positioned for diversity operation.

3. INITIAL ADJUSTMENTS

a. SERVICING POSITION.—Extend the chassis of the receiver to the servicing position as shown in figures 1-2 or 1-3 by lifting the circular metal catches located toward the bottom of the two handles at the sides of the front panel, and raising the two release bars astride the handles as far as they will go. The chassis,



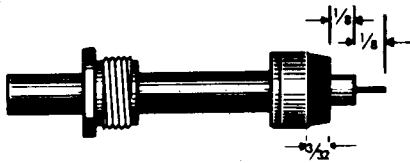
Trim jacket $\frac{1}{4}$ " for RG-58/U, $\frac{5}{16}$ " for RG-59/U or $\frac{7}{16}$ " for RG-71/U.



Fray shield and strip inner dielectric $\frac{1}{8}$ ". Tin center conductor.



Taper braid and slide nut, washer, gasket and clamp over braid. Clamp is inserted so that its inner shoulder fits squarely against end of cable jacket.



With clamp in place, comb out braid, fold back smooth as shown and trim $\frac{3}{32}$ " from end.



Slip contact in place, butt against dielectric and solder. Remove excess solder from outside of contact. Be sure cable dielectric is not heated excessively and swollen so as to prevent dielectric from entering into connector body.



Push assembly into body as far as it will go. Slide nut into body and screw in place with wrench until tight. For this operation, hold cable and shell rigid and rotate nut.

Figure 3-4. Cable Fabrication, UG-88/U Plug

thus released and pulled out of the cabinet, may be positioned 45 or 90 degrees up or down by depressing the two latch buttons next to the handles, then positioning the chassis to the desired servicing position. Make certain the positioning mechanism locks in place (horizontal, 45 or 90-degree positions) before letting go of the handles.

b. PRIMARY TAP SETTINGS.—Set the link O1601 on board E1601 in the power supply to most nearly correspond to the anticipated line voltage. Link board E1601 is accessible from the top of the chassis after the cover plate on the power supply is removed. (See figure 3-7.) Taps on E1601 are labeled 105, 115, and 125. If the receiver is to be operated

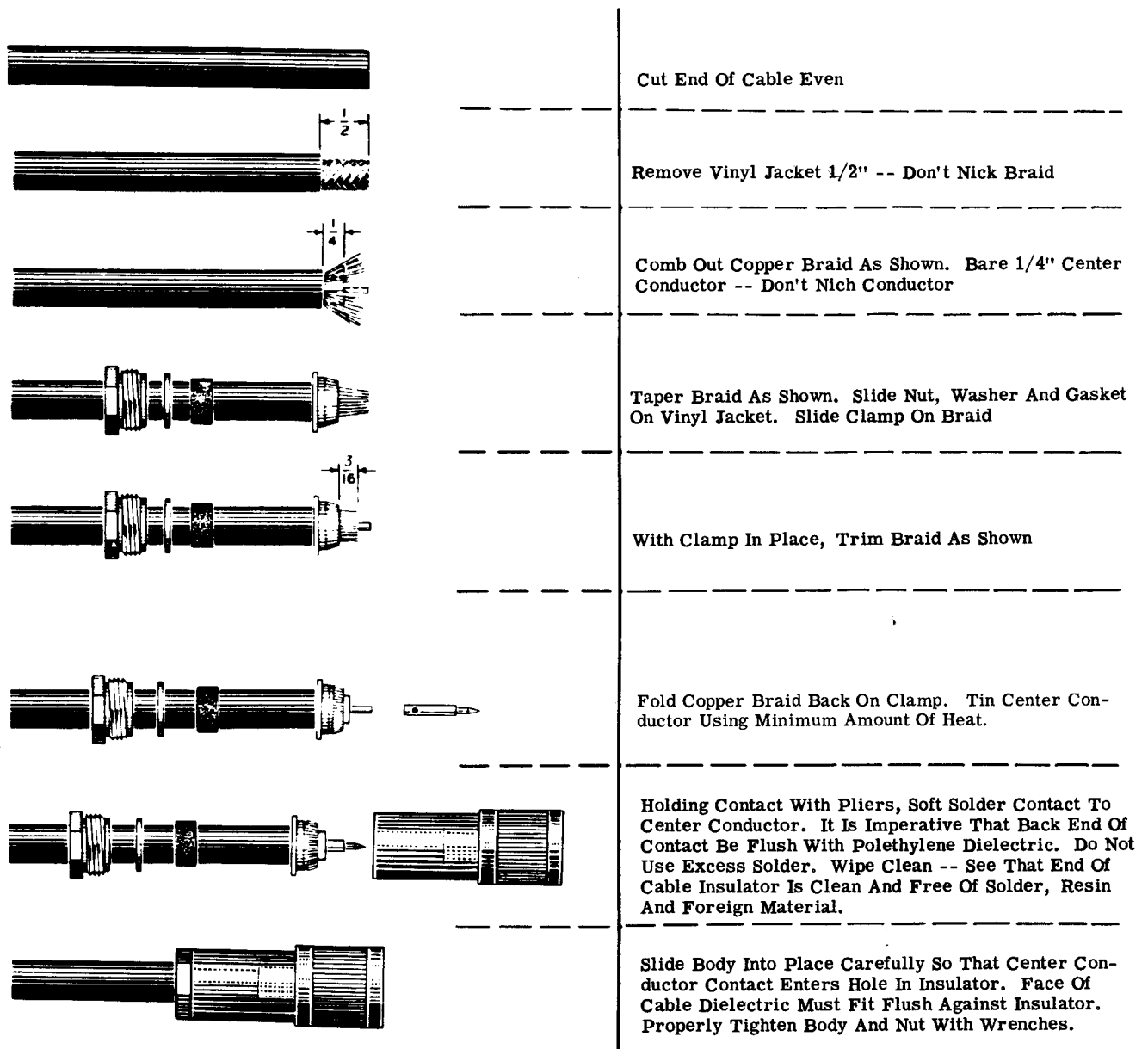


Figure 3-5. Cable Fabrication, UG-21B/U Plug

from a 400-cycle supply, unsolder and remove the lead connected to pin 1 of T1601 and connect it to pin 6. The following checks should now be made before placing the receiver in operation.

c. OUTPUT TRANSFORMER TAP SETTINGS.
—Refer to the particular installation plan in use, and

check whether it calls for a grounded or ungrounded secondary tap (pin 6) of the output transformer T1101. Then check T1101 of the equipment to see if it conforms with the installation plan. If it does not conform with the installation plan then remove or insert the grounding wire as necessary. The ground wire should be connected between pins 6 and 4 of

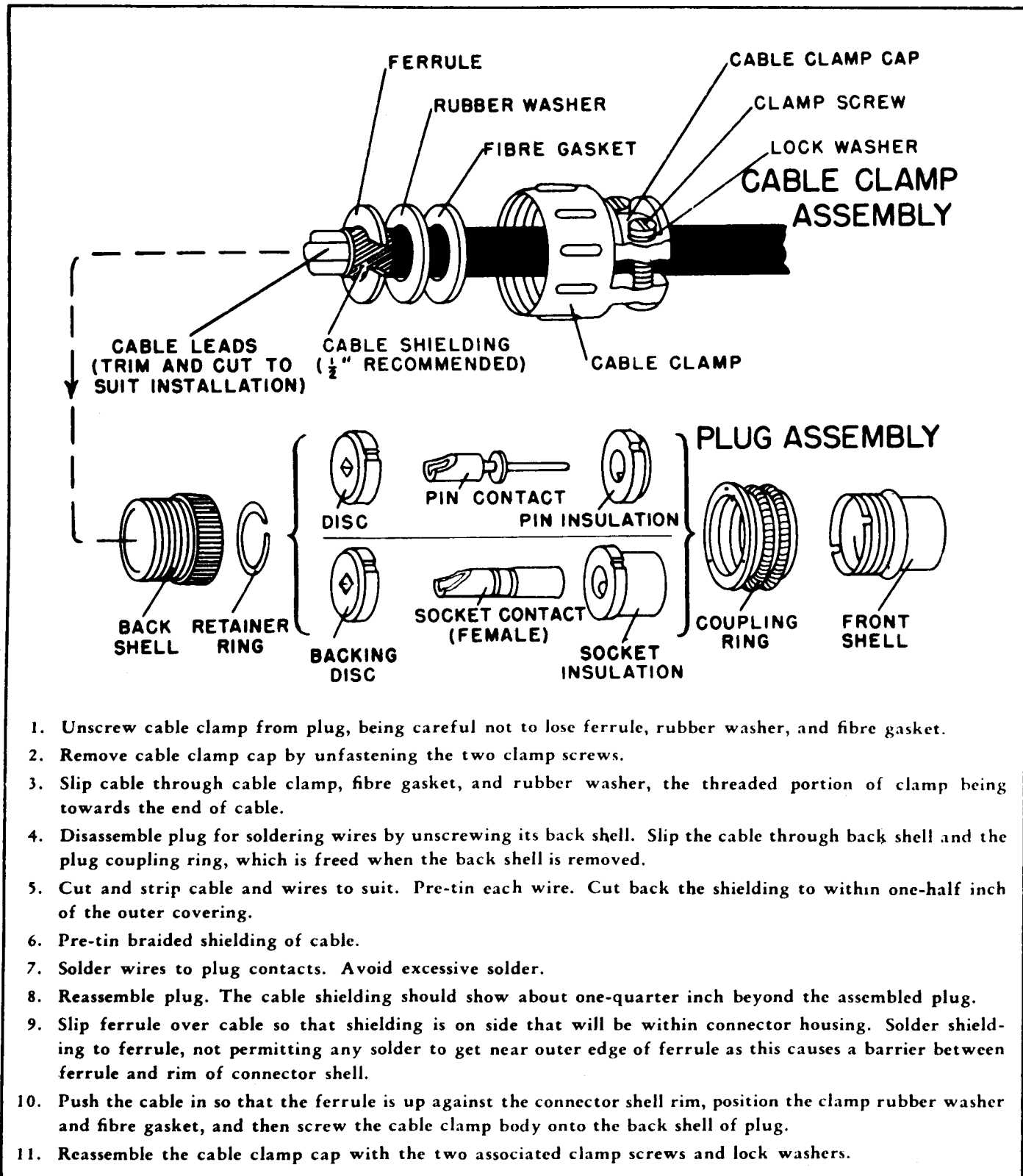


Figure 3-6. Cable Fabrication, AN-3106A Plugs

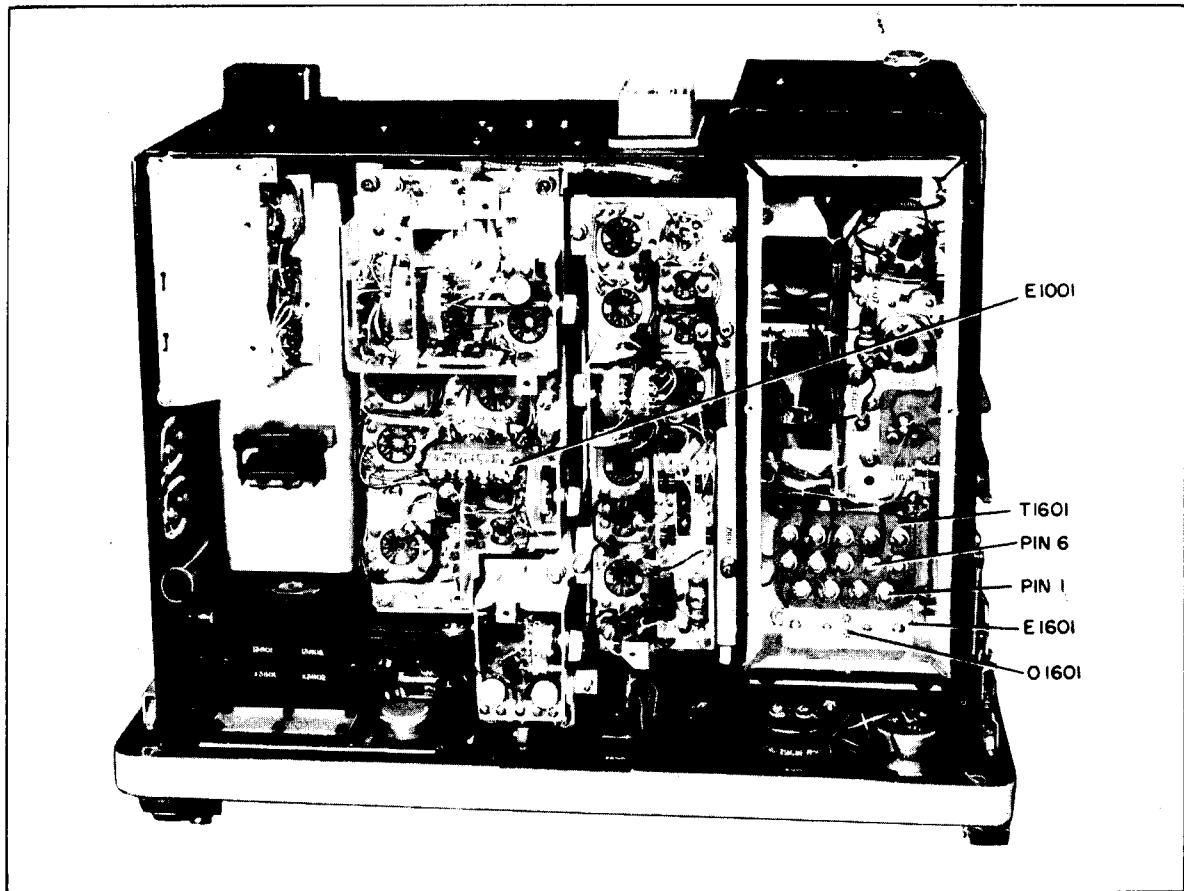


Figure 3-7. Initial Adjustment Component Location (Top View)

T1101 to meet the requirements of the applicable installation plan. See figure 3-7 for the location of T1101.

d. GROUNDING THE CABINET.—Connect a grounding braid to the under side of the mounting bolt and connect the other end to a convenient ground. (Refer to the particular installation plant in use for details of this connection.)

e. MATCHING ANTENNA IMPEDANCE.—The receivers are shipped with the links in the antenna assembly set to operate with a high-impedance antenna. To match the receiver input to a low-impedance antenna, place the receiver in the service position with the bottom of the chassis accessible. Links in the antenna Assembly of the AN/SRR-11, -12, or -13 should be set according to information given in figures 3-9 or 3-10, as the case may be. Location of the link boards are shown in figure 3-8.

f. COMMON ANTENNA CONNECTION.—Any combination of AN/SRR-11, -12, or -13 receivers can be operated from a common antenna. The micro-switch S105, in the antenna preamplifier of the AN/-

SRR-11 must be open by appropriate setting of the ANT COMP control (turn the control to the HIGH position). Links O301 and O501 respectively must be set in position as shown in figure 3-10 to provide isolation when either the AN/SRR-12 or -13 is operated from a common antenna with another receiver. See figure 3-8 for link board location.

g. OPERATING TEST IN SERVICING POSITION.—

CAUTION

Open the 115-volt a-c line feeding into the receiver. All power should be removed from the receiver before connecting Test Cable Assembly CG-1101/SRR.

With the receiver chassis in the servicing position (see paragraph 3*a*), connect the test cable assembly Type CG-1101/SRR to the receptacle at the back of the receiver chassis as shown in figure 7-1. Then plug the connector at the other end of the test cable to the receptacle on the back wall of the receiver cabinet.

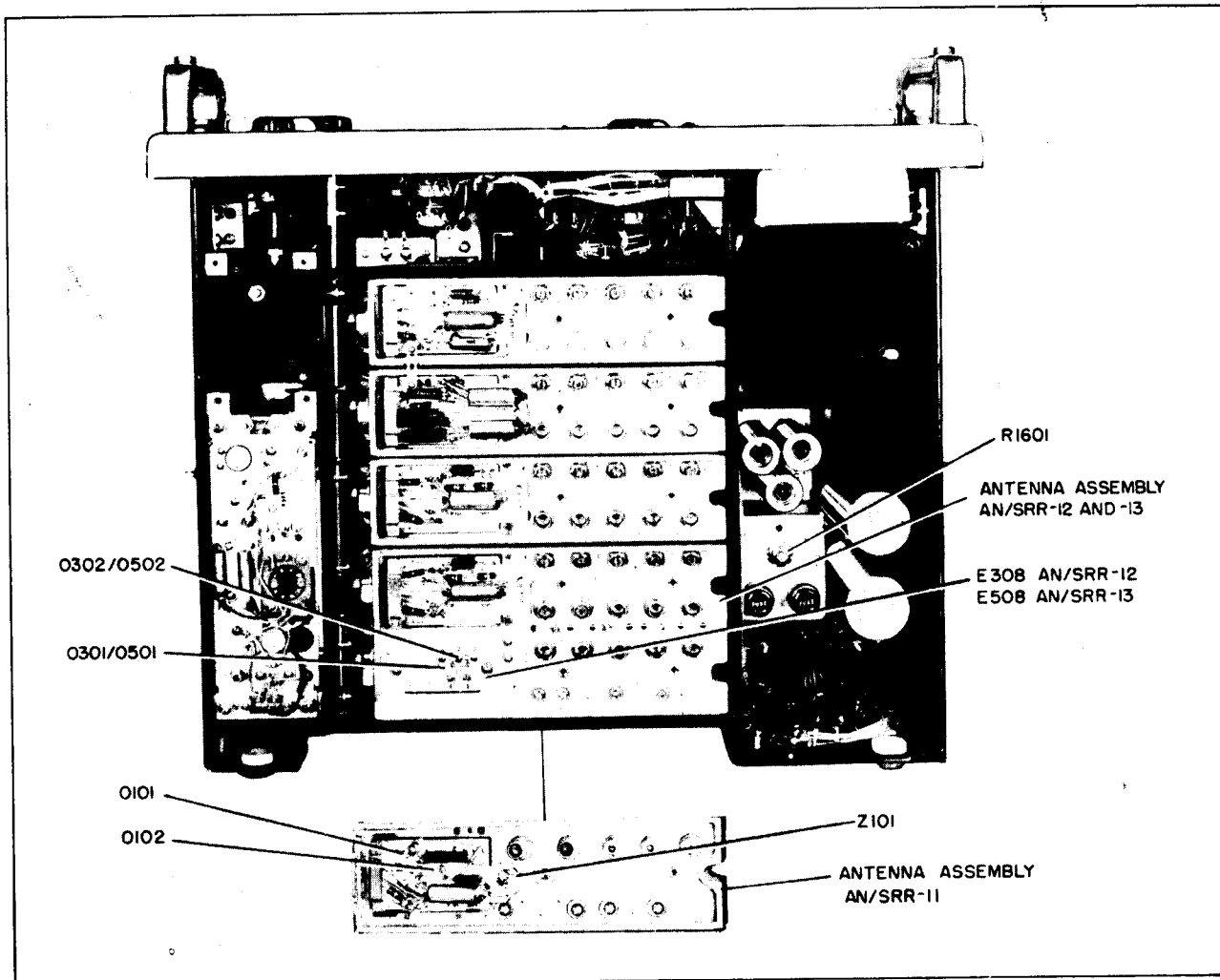


Figure 3-8. Initial Adjustment Component Location (Bottom View)

With the test cable assembly connected as described, all circuits are connected and the receiver can be operated in this position for servicing.

b. ENERGIZING THE RECEIVER.—The Radio Sets can be operated in either the servicing position or the normal operating position with the chassis pushed into the cabinet and locked in place. The receiver can now be turned on and operated in accordance with instructions given under SUMMARY OF OPERATION, paragraph 4 of Section 4.

i. FREQUENCY SHIFT (F1) OPERATION.—Energize the receiver, set the RECEPTION control at FSK, and tune to a F1 signal. Adjust main tuning for maximum deflection on tuning meter. Follow instructions for the frequency shift converter used. Adjust the FREQ VERNIER control in accordance with operating instructions for the frequency shift converter.

j. PANORAMIC ADAPTER CONNECTION.—Connections to a panoramic adapter are described in paragraph 2f(3) of this section.

It is recommended that the PAN receptacle be used to feed a panoramic adapter when the output frequency of the PAN line is 1600 kilocycles (i. e., on bands 4 and 5 of the AN/SRR-12, and all five bands of the AN/SRR-13). Use the output from the I-F receptacle (200 kilocycles) when feeding a panoramic adapter from the AN/SRR-11, and set the RECEPTION control at A2. The I-F receptacle should also be used to feed a panoramic adapter when the three lower bands of the AN/SRR-12 are active. The RECEPTION control for the last condition should be at A3 BROAD.

k. DUAL DIVERSITY OPERATION (A3).—In the description to follow, space diversity operation is considered using two AN/SRR-12 or -13 receivers. For additional reference, see literature on diversity equip-

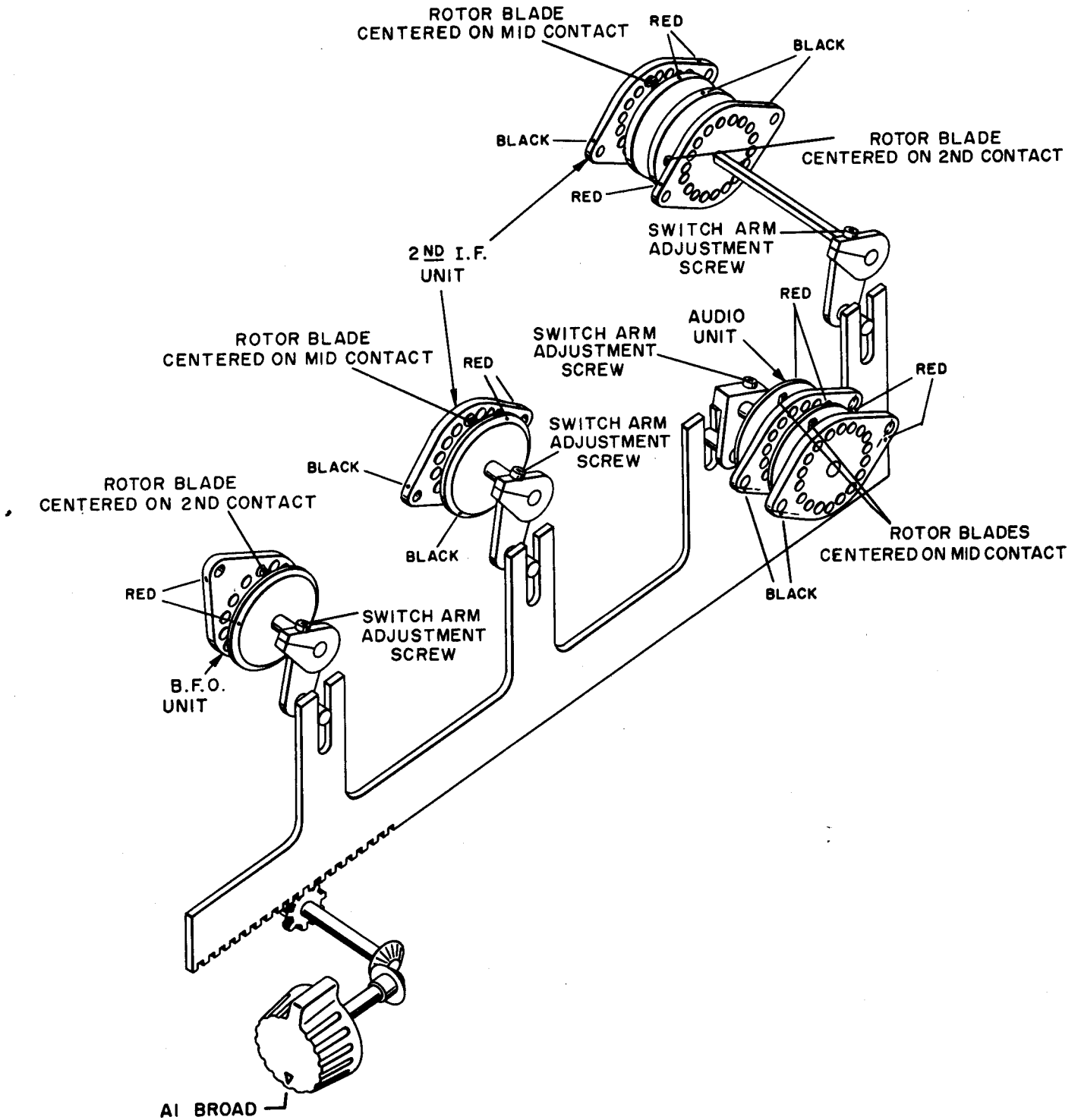
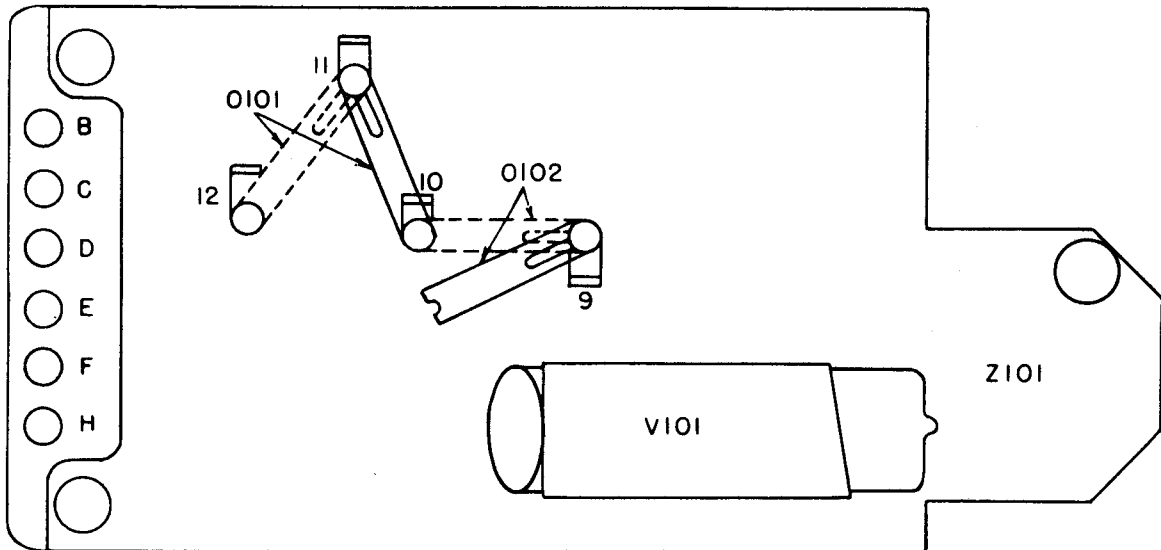


Figure 3-8A. Reception Switch Assembly



LINKS O101 AND O102 ARE SHOWN IN POSITION TO MATCH THE PREAMPLIFIER TO A HIGH-IMPEDANCE ANTENNA. TO MATCH A LOW-IMPEDANCE ANTENNA:

1- LOOSEN SCREWS AT TERMINALS 9, 10, 11, AND 12.

2- REMOVE O101 FROM TERMINAL 10 AND CONNECT IT TO TERMINAL 12. TIGHTEN TERMINALS 12 AND 11.

3- POSITION O102 BETWEEN TERMINALS 10 AND 9. TIGHTEN SCREWS.

NOTE: ANTENNA PLUG-IN BOARD IS ACCESSIBLE FROM BOTTOM OF CHASSIS WHEN COVER PLATE ON ANTENNA ASSEMBLY IS REMOVED.

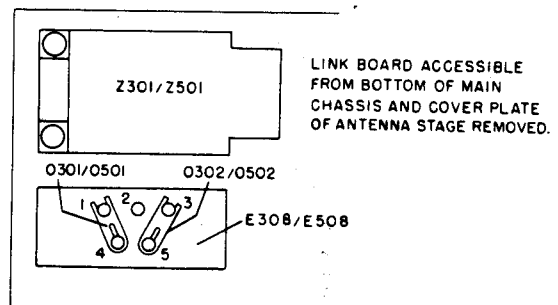
Figure 3-9. Antenna Matching Links in Preamplifier, AN/SRR-11

ment such as NAVSHIPS 900, 478 (RBP-1 and RCP).

The DET. AGC receptacle at the back of Radio Receivers AN/SRR-12 or -13 accommodates two circuits: external detector between pin A and ground, and external AGC between pin B and ground. See Table 3-1 for cable and connector information.

The three links on terminal board E1001 in the second i-f assembly of both local and companion receivers are to be changed as shown in figure 3-11 to achieve the combinations possible when operating two AN/SRR-12 or -13 receivers in a dual diversity system. Link positions for single receiver connections on E1001 are shown in figure 3-12. See figure 3-6 for link board locations.

After the links have been set for diversity operation and the connections described in paragraph 2f(4) have been made it is necessary to balance the output of both receivers, using a known signal source from an



300 SERIES SYMBOLS APPLY TO AN/SRR-12 RECVR.
500 SERIES SYMBOLS APPLY TO AN/SRR-13 RECVR.
LINK O302/O502 IS SHOWN IN POSITION TO MATCH A HIGH-IMPED. ANT.
TO MATCH A LOW-IMPED. ANT. CONNECT LINK O302/O502 BETWEEN TERMS 2&5.
LINK O301/O501 IS SHOWN IN POSITION EMPLOYING SEPARATE ANT.
WHEN EMPLOYING 2 RECVRs WITH A COMMON ANT., REMOVE LINK O301/O501 FROM TERM. 1.

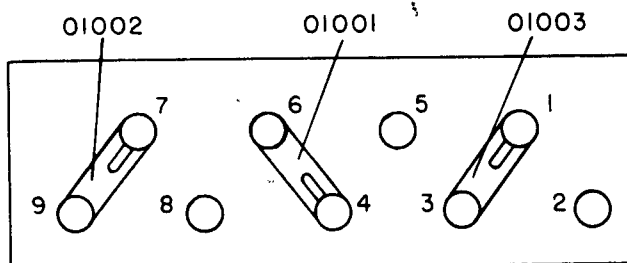
Figure 3-10. Antenna Matching Links in Preamplifier, AN/SRR-12, -13

r-f signal generator similar to Navy Type AN/URM-25 as follows:

(1) Set the RECEPTION control to A3 SHARP. Ground the antenna receptacle of the companion receiver and connect the r-f signal generator to the antenna receptacle of the local receiver. Tune the signal generator to the desired working frequency, and modulate the signal with 1000 cycles at 30 percent.

(2) Tune the local receiver for maximum at this frequency as determined by the TUNING indicator of the local receiver. With the audio controls of both receivers set for maximum output and the SILENCER turned fully clockwise (off), set the ADD DECIBELS switch to the 0 DB position, and adjust the output of the signal generator for 0 db on the OUTPUT meter of the local receiver.

(3) Ground the antenna receptacle of the local receiver and connect the signal generator to the antenna receptacle of the companion receiver. Do not change the setting of the signal generator. Tune the companion to maximum as read on its TUNING indicator.



THE LINK BOARD IN THE AN/SRR-12 AND -13 IS LOCATED IN THE SECOND I-F ASSEMBLY. IT APPEARS AS SHOWN WHEN THE CHASSIS IS IN THE SERVICING POSITION SO THAT THE FRONT PANEL POINTS TOWARD THE DECK. THE COVER PLATE OVER THE ASSEMBLY MUST BE REMOVED.

Figure 3-12. Link Positions for Single Receiver Operation

(4) If the OUTPUT meter of the local receiver now reads more than 0 db, adjust GAIN BAL on the front panel of the companion receiver until 0 db is indicated on the OUTPUT meter of the local receiver. If the OUTPUT meter of the local receiver reads less than 0 db, increase the output of the signal generator until 0 db is indicated.

(5) Interchange antenna connections (i.e., connect signal generator to antenna receptacle of the local receiver, and ground antenna receptacle of companion). If the OUTPUT meter of the companion reads more than 0 db, adjust the GAIN BAL in the local receiver until zero is indicated. If the reading is less than zero, increase output of the signal generator.

(6) Connect the antenna cables to each receiver. The RECEPTION control of both receivers should be set to A3 SHARP or A3 BROAD when operating in a diversity system.

l. DUAL DIVERSITY OPERATION (FSK).—

(1) Set link positions as described in paragraph 3k of this section.

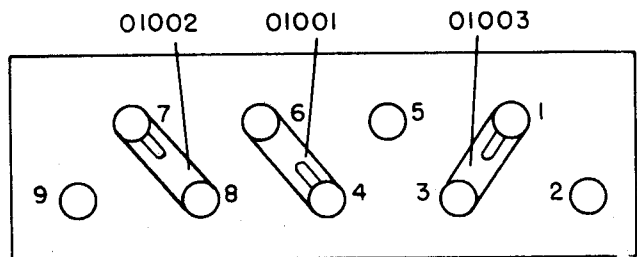
(2) Set the RECEPTION control to FSK.

(3) Refer to NAVSHIPS 91399 (Instruction Book for Frequency Shift Converter-Comparator Group AN/URA-8 and Frequency Shift Converter CV-60/URR) for operation of AN/SRR-12 or -13 receivers in FSK dual diversity.

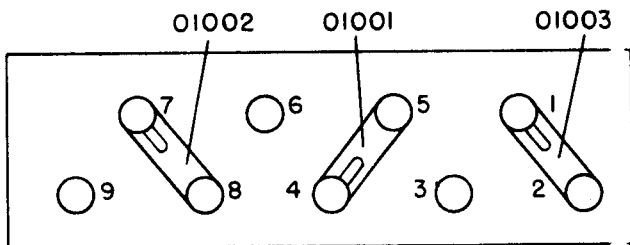
m. REDUCING HUM.—

If objectionable hum is heard when the receiver is operated from a 400-cycle power source, switch the RECEPTION control to A2 and turn the GAIN control to minimum (full counterclockwise). Adjust the OUTPUT and LEVEL controls to a listening level.

While monitoring the receiver with a headset plugged into the PHONES jack, adjust potentiometer R1601 in the power supply assembly. This potentiometer is located near the two FUSE cartridges. See figure 3-8.



(A) LINK POSITIONS IN LOCAL RECEIVER



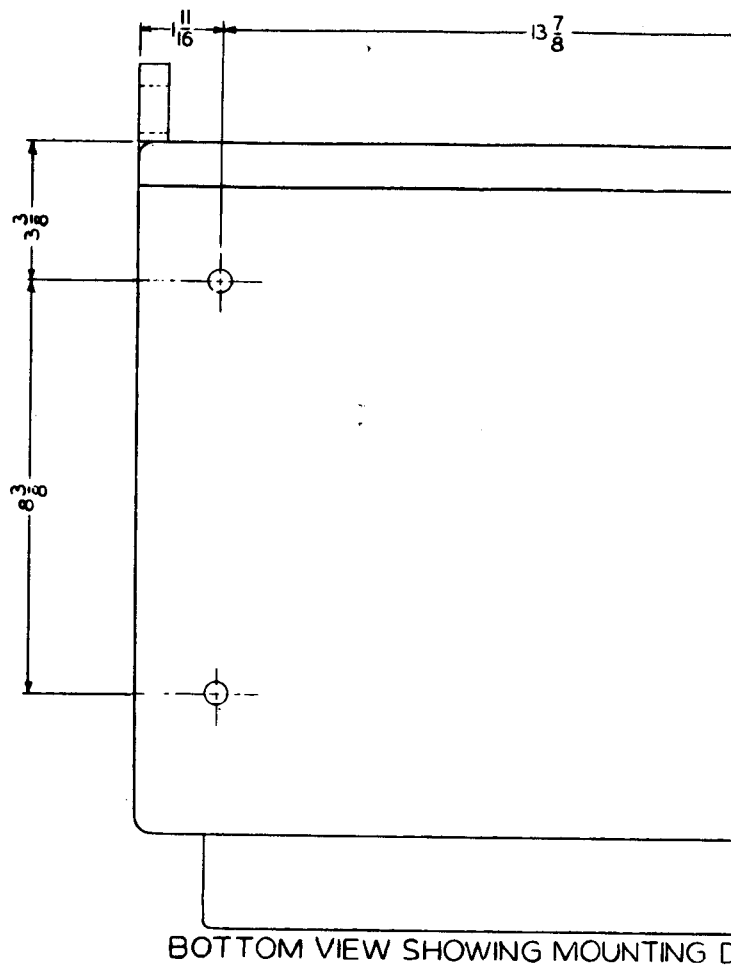
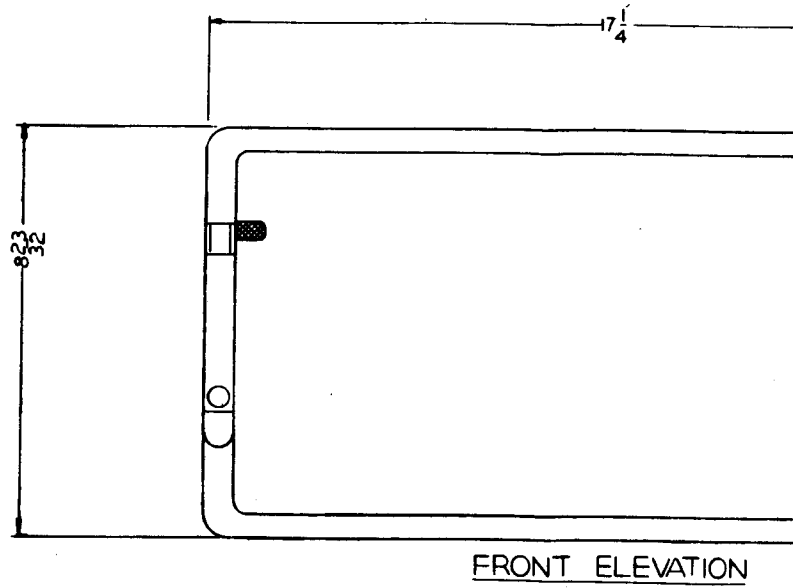
(B) LINK POSITIONS IN COMPANION RECEIVER

THE LINK BOARD IN THE AN/SRR-12 AND -13 IS LOCATED IN THE SECOND I-F ASSEMBLY. IT APPEARS AS SHOWN WHEN THE CHASSIS IS IN THE SERVICING POSITION SO THAT THE FRONT PANEL POINTS TOWARD THE DECK. THE COVER PLATE OVER THE ASSEMBLY MUST BE REMOVED

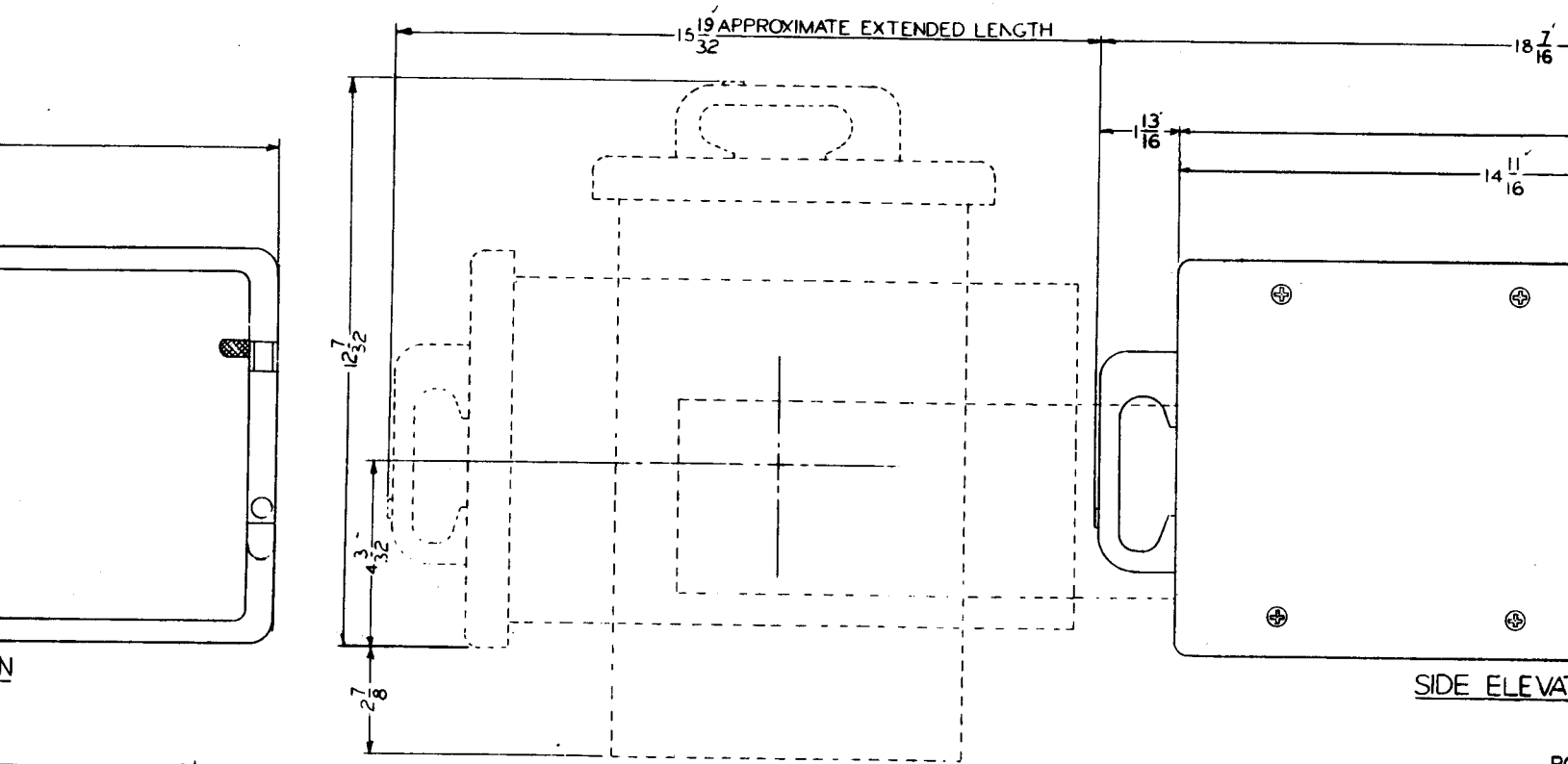
Figure 3-11. Link Positions for Diversity Operation

AN/SRR-11, -12, -13
INSTALLATION

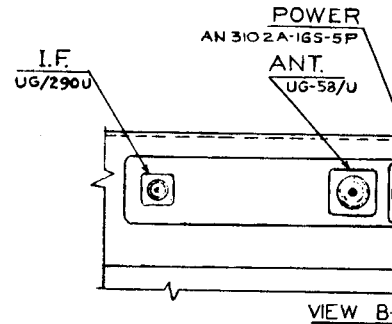
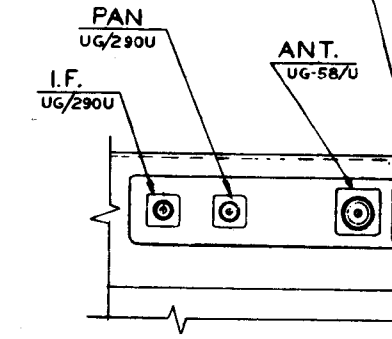
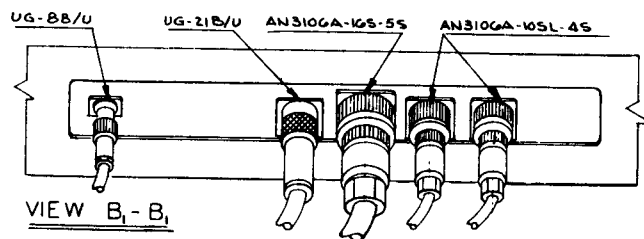
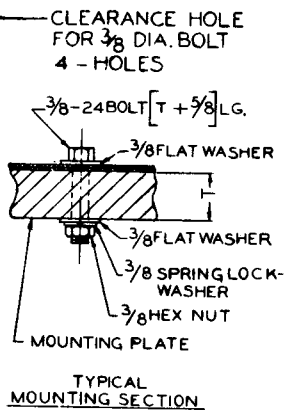
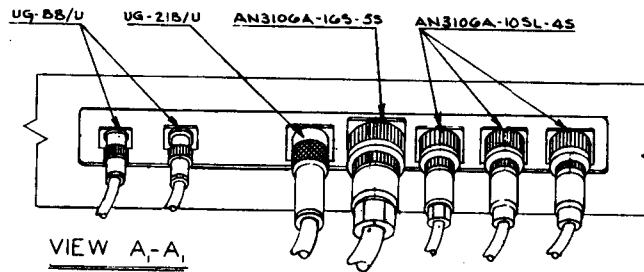
NAVSHIPS 91875(A)



CHANGE 1

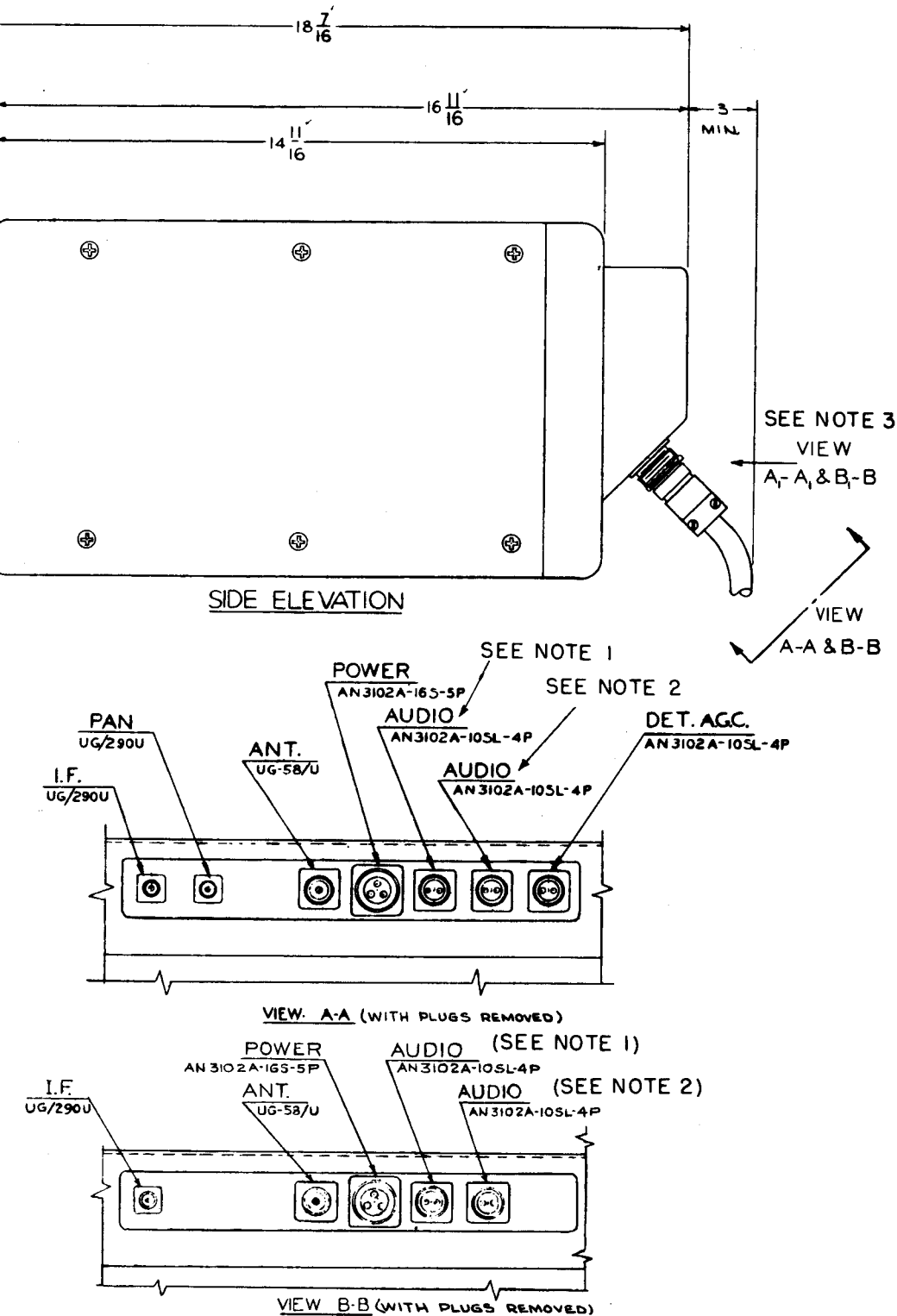


RACK OR BASE MOUNTING ASSEMBLY



- NOTES
1. RE
 2. RE
 3. VIE
 - ANT
 - VIE

ING DIMENSIONS



- NOTES**
1. READS "AUDIO PHONE" ON AN/SRR-13A
 2. READS "AUDIO LINE" ON AN/SRR-13A
 3. VIEWS AT A-A, A₁-A₁ REFER TO AN/SRR-12, 13 AND 13A.
VIEWS AT B-B, B₁-B₁ REFER TO AN/SRR-11

Figure 3-13. Installation Outline

SECTION 4 OPERATION

1. INTRODUCTION.

Radio Receiving Sets AN SRR-12 and AN/SRR-13 are capable of receiving unmodulated CW (A1) signals, amplitude modulated signals (A2, A3), and frequency shift (F1) signals; while Radio Receiving Set AN SRR-11 is capable of receiving signals of unmodulated CW (A1) and modulated CW (A2), as well as frequency shift (F1) signals. The frequency ranges of these receiver types are designated as follows:
AN/SRR-11—Low Frequency—14 kc to 600 kc
AN SRR-12—Medium Frequency—0.250 mc to 8 mc
AN SRR-13—High Frequency—2 mc to 32 mc

Each receiver is designed to give maximum efficiency for the reception of those emissions encountered in a particular band of frequencies. Therefore, controls and switches found on some models will not be found on others.

2. OPERATING CONTROLS AND SWITCHES.

All operating controls and switches necessary for the operation of the three receiver types are mounted on the front panel of the receivers, together with two meters to be used when tuning and reading output level. The functional name of each control and meter is marked on the panel near the particular control. See figures 4-1 and 4-2.

CAUTION

BEFORE OPERATING THE RECEIVING EQUIPMENT MAKE SURE THE CHASSIS IS FIRMLY IN THE RECEIVER CABINET. IF THE CHASSIS IS NOT FIRMLY IN THE CABINET, NO POWER WILL BE APPLIED TO THE RECEIVER.

3. TUNING ADJUSTMENTS.

Tuning of the receivers is accomplished by means of the controls on the front panel as specified in the following list of control functions:

CONTROL	FUNCTION
POWER	Applies primary power when in ON position.
*OPERATE- STANDBY	Plate potential is removed from the antenna preamplifier when the OPERATE-STANDBY switch is at STANDBY.
PILOT	Glowing when high voltage is applied to the set.
GAIN	Controls r-f and i-f gain. Maximum gain when turned fully clockwise. GAIN control is inactive when RECEPTION control on AN/SRR-12 or -13 is set at A3 SHARP, A3 BROAD or FSK.
ANT COMP	Adjust tuning of antenna preamplifier to compensate for variations in antenna.
Band Selector	Selects tuning range of receiver in five bands.
Tuning Knob	Adjusts receiver to desired frequency.
Tuning Dial	Frequency setting is projected onto a translucent screen. Linear scale below projection dial is used for logging station settings.
DIM	Controls intensity of dial light. Fully clockwise, max. brilliance; fully counterclockwise, dial light extinguished.
LAMPS switch	Connects spare dial light, should first one fail.
OUTPUT control	Controls volume of audio amplifier.
LEVEL control	Controls volume through headphones.
PHONE jacks	Provide output to operate one or two sets of low-impedance headphones similar to Navy type.
RECEPTION control (AN/SRR-11)	FSK—Selects circuits for reception of F1 signals when suitable converter is connected to receiver. A beat note is provided. A1 BROAD—Normal setting for unmodulated CW signals. A beat note is provided. A1 SHARP—Used to separate CW signals by narrowing frequency response. A beat note is provided. A2—Provides for reception of MCW signals.

CONTROL	FUNCTION
(AN/SRR-12 and -13)	A1 BROAD—Normal setting for unmodulated CW signals. A beat note is provided. A1 SHARP—Used to separate CW signals by narrowing frequency response. A beat note is provided. **A2—Provides for reception of MCW signals. (Medium selectivity.) A3 SHARP—Provides for reception of voice modulated signals. A3 BROAD—Provides for reception of voice modulated signals. FSK—Adjusts circuits for reception of F1 signals when suitable converter is connected to receiver. A beat note is provided.
SILENCER (AN/SRR-12 and -13 only)	Background noise may be reduced when RECEPTION control is set at A3 SHARP or A3 BROAD and desired station is not transmitting.
FREQ. VERNIER	Varies pitch of beat note when RECEPTION control is in A1 BROAD, A1 SHARP FSK positions.
CAL switch	Provides frequency check points when CAL switch is in ON position.
CAL ADJUST	Used to set projection dial after desired check point frequency has been zeroed.
DIVERSITY GAIN BAL.	Recessed screwdriver adjustment used to match receiver gain with companion receiver when employing diversity reception. Used on AN/SRR-12 and -13 only. CAUTION: This control is preset and does not require adjustment by the operator.
TUNING meter	Meter reads up scale (toward right) when desired signal is tuned to maximum. Meter reads down scale (toward left) when desired station is detuned. TUNING meter is used in conjunction with HIGH-LOW switch.
HIGH-LOW switch	Switch normally in LOW position. When TUNING indicator reads down scale in the LOW position of switch, use HIGH position and tune receiver slightly for an up scale reading on TUNING meter. HIGH positions of switch is spring-loaded and will return to LOW positions when released.
OUTPUT meter	Reads output power level between -20 db and +25 db when used in conjunction with ADD DECIBEL switch. OUTPUT meter should be turned to +20 db position when not reading signal strength.

CONTROL	FUNCTION
ADD DECIBEL switch	Provides attenuation for OUTPUT meter circuit. +10 db position should be used to check strong output levels; 0 db is used to measure weak levels, and -10 db position for momentary reading of weak levels. ADD DECIBEL switch should be in +20 position when not using OUTPUT meter.
AGC NORM-OFF	Places power on or disables AGC circuit. Does not have function in A1 positions.

* Delete switch and circuitry for AN/SRR-13A.

** Replaced by A1 MEDIUM position on AN/SRR-13A. A1 MEDIUM is used for medium selectivity of cw selectivity. A beat note is provided.

4. SUMMARY OF OPERATION.

a. STARTING EQUIPMENT. — When applying power to the receivers follow this procedure:

(1) Make sure the receiver chassis is firmly in cabinet.

(2) Turn POWER switch to ON.

(3) Adjust dial illumination by turning DIM control. Turn DIM control fully counterclockwise to extinguish dial light. Should dial light fail, switch LAMP knob to SPARE position and report the burned out light to a technician.

(4) Turn ADD DECIBEL switch to the +20 position.

(5) Turn STANDBY switch to OPERATE.

(6) Note that the PILOT light is glowing except when the knurled ring around the light is turned clockwise.

(7) Make sure the CAL switch is in the OFF position.

(8) Two pair of head sets can be operated from the receiver at the same time. Plug one or two pair of head sets into the jack marked PHONES. It is recommended that low-impedance (600 ohms nominal) head sets be used similar to Navy type 49507. The LEVEL control regulates gain through the headphones.

b. TUNING A SIGNAL.

(1) Turn the GAIN and OUTPUT controls up (clockwise) until background noise is heard. Turn SILENCER fully counterclockwise. NOTE: The SILENCER control is effective only when the RECEPTION control is set at A3 SHARP or A3 BROAD. (The SILENCER control is not included on the AN/SRR-11).

(2) Select appropriate band of frequencies using the band selector control.

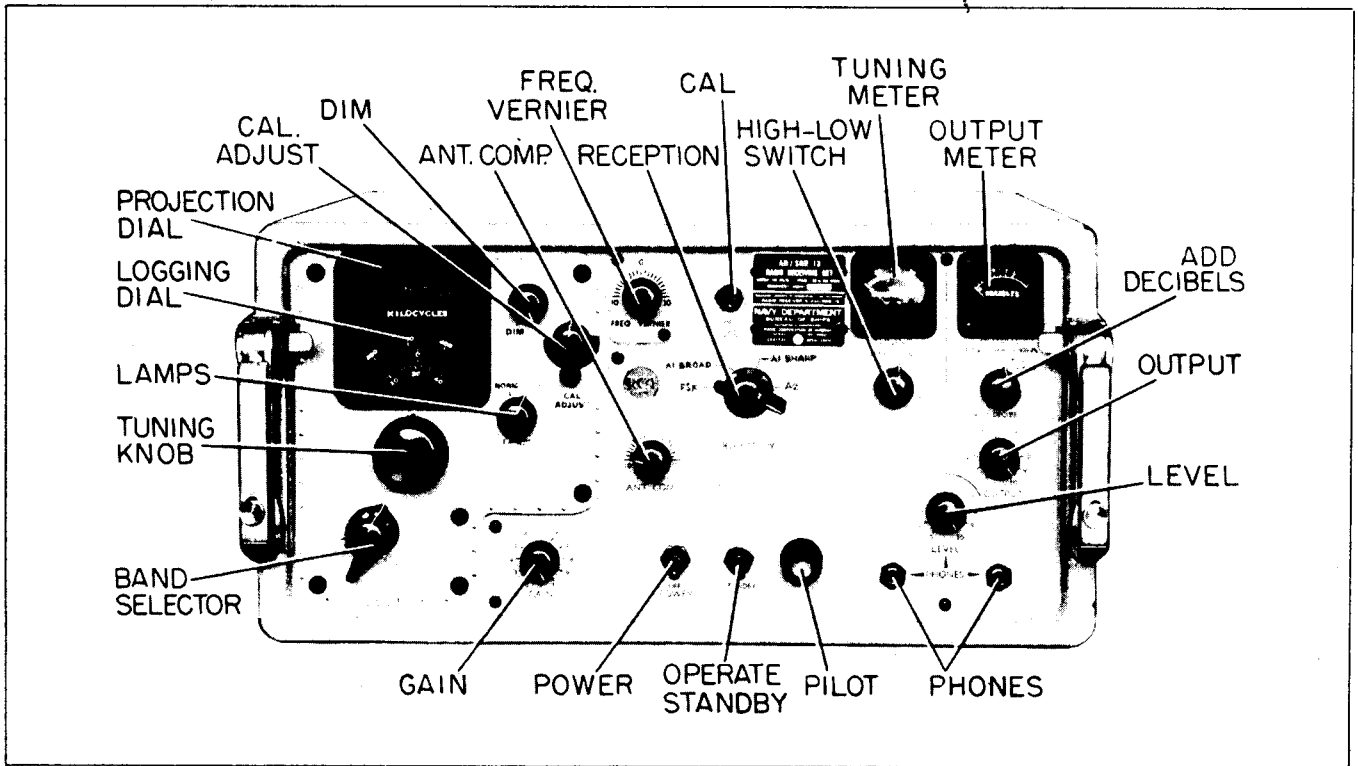


Figure 4-1. Front Panel Controls AN/SRR-11

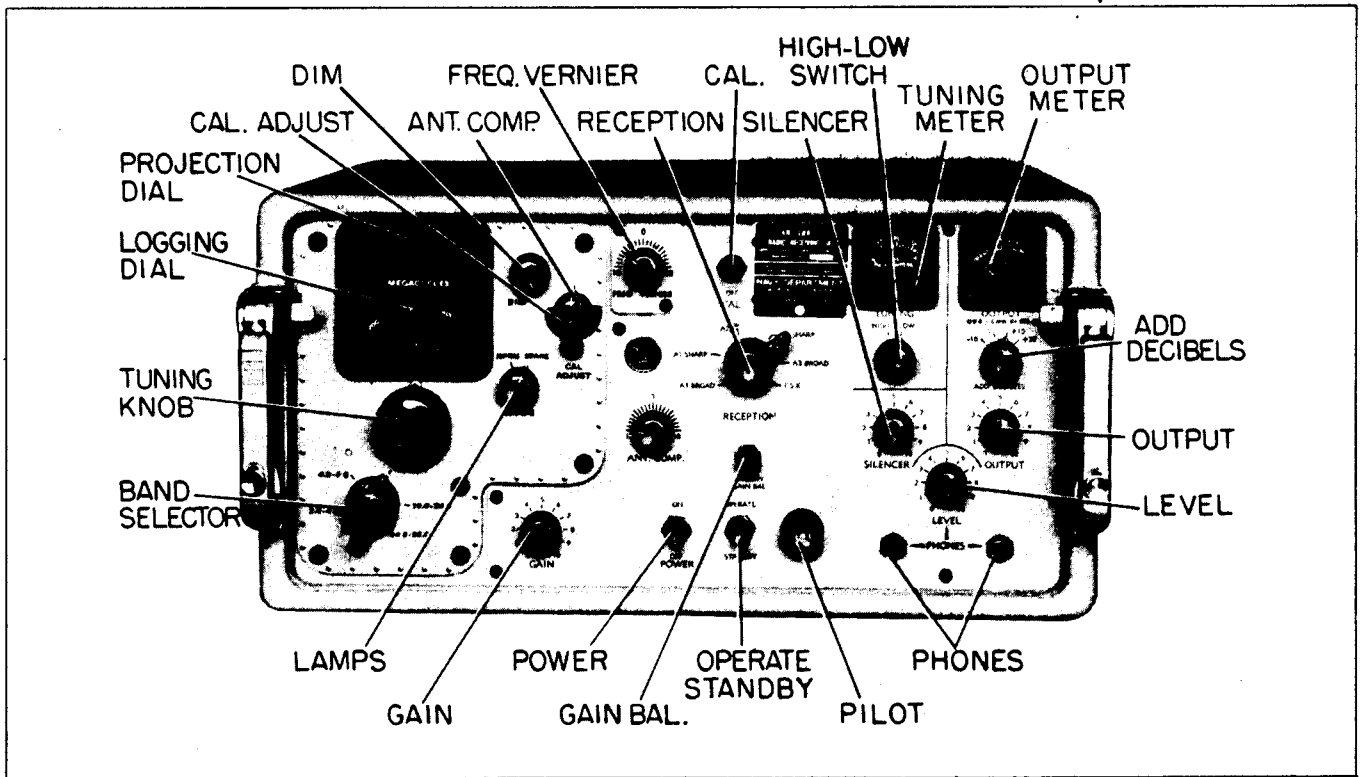


Figure 4-2. Front Panel Controls AN/SRR-12, -13

(3) Calibrate the receiver at the frequency check point nearest to the desired signal frequency. See paragraph 4f of this section for use of the crystal calibrator.

(4) Set the desired station's frequency under the hair line index on the projection screen by means of the tuning knob. Turn the ANT COMP control until signal is the loudest. This control will have most effect at the high end of each frequency band. Adjust the signal to maximum as indicated on the TUNING meter. Use of the TUNING indicator is optional for CW signals (A1 BROAD or A1 SHARP positions of the RECEPTION control). See paragraph 4d for use of the TUNING indicator.

NOTE: If station is not heard at this setting of the dial, rock the dial about this point a short distance to search for it.

When the desired station has been recorded previously on the logging dial, reset the two scales to the recorded figure. See paragraph 4e for use of the logging dial.

(5) Adjust the **FREQ. VERNIER** for desired beat. This control is inactive when the **RECEPTION** control is set at A2 or A3 positions.

c. SELECTING EMISSION TYPES.—Tuning procedure differs from this point depending on the position of the **RECEPTION** control which is set to match the class of emission of the desired signal. When the **RECEPTION** control is set at:

(1) **FSK.**—When the receiver is supplying signals to a frequency shift converter of the i-f type (similar to Navy Model CV-57/URR), tune the receiver to the desired frequency by means of the tuning knob and adjust the **ANT COMP** for maximum signal.

When the receiver is supplying audio signals to a frequency shift converter similar to Navy Model CV-60/URR, tune the receiver to the desired frequency, then adjust the **OUTPUT**, and **FREQ VERNIER** controls as required for operation of the frequency shift converter.

When the receiver is applying audio frequency signals to a facsimile frequency shift converter similar to CV-172/U, tune the receiver to the desired frequency for maximum indication on the **TUNING** meter, then adjust the **OUTPUT** and **FREQ VERNIER** controls as required for operation of the frequency shift converter.

(2) **A1 BROAD.**—Adjust the **GAIN** to the point of loudest signal and lowest background noise, then adjust **OUTPUT** to a comfortable listening point. Use the **LEVEL** control to regulate gain in

headphones when used. Adjust the **FREQ VERNIER** to a convenient audio note.

(3) **A1 SHARP.**—Adjust controls as given for the **A1 BROAD** position. The **A1 SHARP** setting should be used to eliminate adjacent signals that crowd desired station's signal. The **A1 BROAD** position should be used for reception of CW signals whenever possible.

(4) **A1 MEDIUM.**—Adjust controls as given for the **A1 BROAD** position. The **A1 MEDIUM** setting should be used for the approximate same purpose as **A1 SHARP**. The **A1 BROAD** position should be used whenever possible for reception of CW signals. This position provided on AN SRR-13A equipments only.

(5) **A2.**—Tune signal to maximum as read on the **TUNING** indicator. See paragraph 4d for use of the **TUNING** indicator. Adjust the **GAIN** control to the point of loudest signal and lowest background noise. Then adjust the **OUTPUT** control to produce proper line level. Use the **LEVEL** control to regulate gain in headphones when used. This position is not used on AN SRR-13A equipments.

(6) **A3 SHARP and A3 BROAD (AN/SRR-12 AND -13 ONLY).**—Adjust controls as given for the **A2** position with exception that the **GAIN** has no effect in this position of the **RECEPTION** control. To eliminate background noise, set the **SILENCER** control fully counterclockwise; then turn the control clockwise until background noise is eliminated with the desired signal remaining undistorted.

d. USE OF METERS.

(1) As a station is tuned in, the **TUNING** indicator reads up scale. When **TUNING** indicator is below $\frac{1}{4}$ scale on the **LOW** setting of the **HIGH-LOW** switch, hold switch in **HIGH** position and readjust tuning knob for an up-scale indication of the **TUNING** indicator. (**CAUTION:** never hold **HIGH-LOW** switch in **HIGH** position when **TUNING** indicator is at full scale **LOW** position of switch.)

(2) When reading output power, turn **ADD DECIBEL** switch from +20 to +10 and add 10 db to **OUTPUT** meter reading. (**EXAMPLE:** **OUTPUT** meter reads -3, signal power = -3+10 or +7 db.) If **OUTPUT** meter reads on lower left-hand part of the scale, put **ADD DECIBEL** switch in 0 position and read **OUTPUT** meter directly. If **OUTPUT** meter still reads low, put **ADD DECIBEL** switch in -10 position. (**EXAMPLE:** **OUTPUT** meter reads +5, signal power = +5-10 or -5 db.) The -10 db position of the **ADD DECIBEL** switch is spring-loaded, and the switch will return to 0 position if not held in the -10 db position. (**CAUTION:** Return **ADD DECIBEL** switch to the +20 db position except when measuring output level.)

e. USE OF LOGGING SCALES.—Two movable scales and one fixed index immediately below the projection dial are used for logging the dial setting of received stations. There is no relationship between the projection dial and the logging dial. The logging

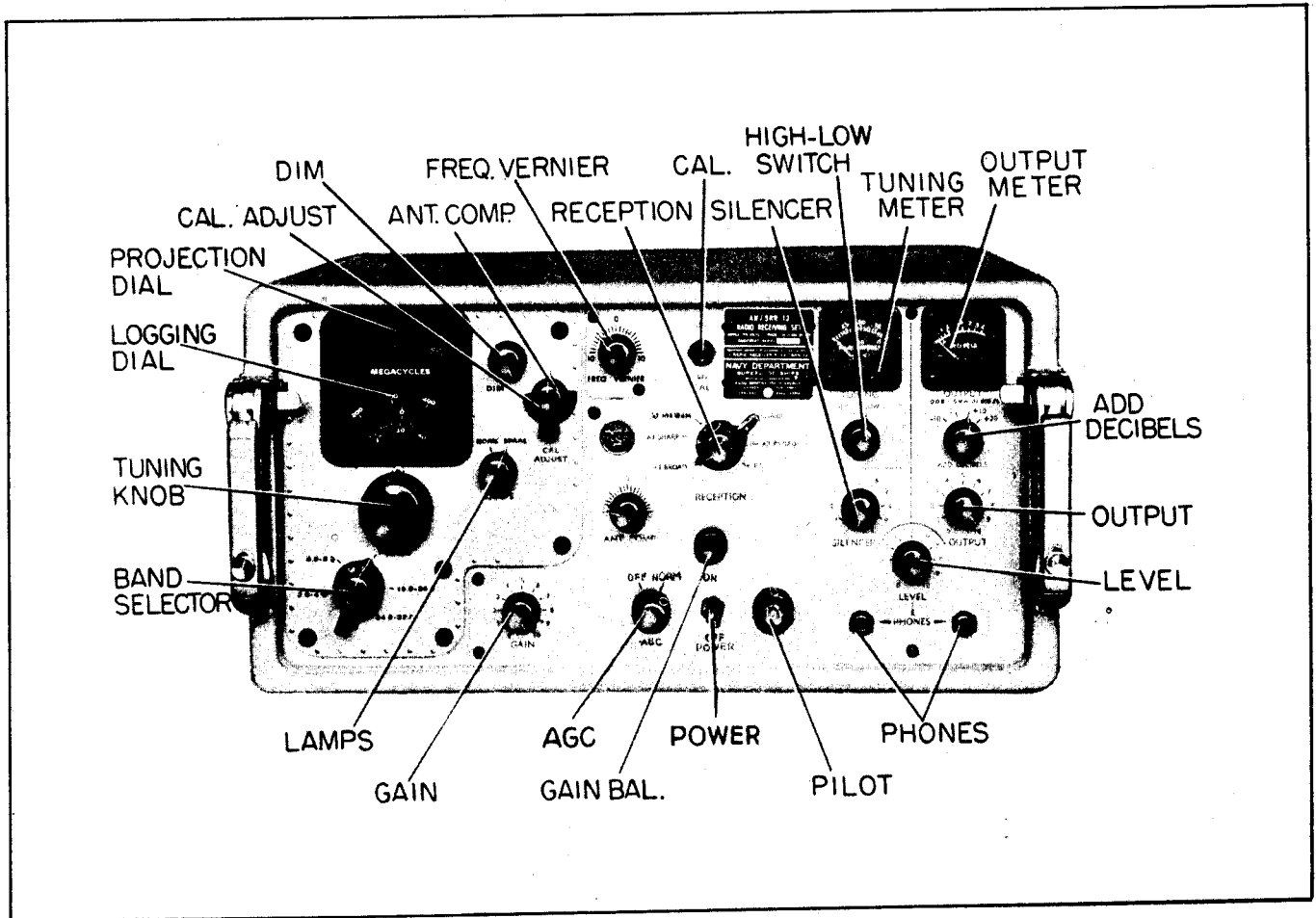


Figure 4-2A. Front Panel Controls AN/SRR-13A

dial provides a quick means of resetting the receiver to the point where a station has previously been received. Note also that the logging dial is not affected by the CAL ADJUST knob.

To use the logging dial, calibrate the projector (see para. 4f), and then tune the receiver to the desired station. To record the settings of the two movable scales, use the index mark on the middle segment of the logging dial. EXAMPLE:

- (1) The top scale reads between 200 and 300.
- (2) The bottom scale reads 63.
- (3) The setting of the logging dial is 263.

By resetting this figure (263) on the logging dial, when the band selector is set as before, a previously received station can be returned quickly. The logging dial should always be set approaching from the same direction (clockwise rotation of the tuning knob).

f. USE OF CRYSTAL CONTROLLED CALIBRATOR.—The crystal controlled calibrator provides frequency check points at regular intervals throughout the tuning ranges of these receivers so that the numerical setting of the projector dial can be adjusted to agree with the frequency of received signals. These check points occur at 10 kilocycles separations in the AN SRR-11, 50 kilocycles separations in the AN SRR-

12, and 200 kilocycles separations in the AN/SRR-13. Proceed as follows to calibrate the tuning dial:

(1) Turn the CAL switch to ON.

(2) Set the tuning dial at the nearest calibration marker on the projection dial. The calibration points are designated by an inverted V on the frequency scale. These markers are separated by 10 kc on the AN SRR-11, 50 kc on the AN SRR-12, and 200 kc on the AN SRR-13.

(3) Rock the tuning dial slightly on both sides of the frequency chosen until a beat note is heard. Zero beat should occur at the calibration marker chosen. If zero beat does not occur at this marker, adjust the tuning knob until zero beat is indicated.

(4) Loosen the thumbscrew holding the CAL ADJUST knob (turn counterclockwise), then turn CAL ADJUST knob until the nearest calibration marker is under the hair line on the projection screen. Tighten the thumbscrew over the CAL ADJUST knob. NOTE: If beat note is not located within $\frac{1}{3}$ of the distance between the calibration markers, or if the beat note can not be brought to coincidence by use of the CAL ADJUST knob, report the condition to a technician.

g. SHUTTING OFF THE EQUIPMENT.—To turn any of these receivers off, throw the POWER switch to the OFF position.

SECTION 5 OPERATOR'S MAINTENANCE

1. ROUTINE CHECK.

The routine checks given in Table 5-1, should be made by the operator to insure that receiver performance is maintained at a high standard. When trouble is indicated which cannot be cleared up by using procedures described under Emergency Maintenance (Paragraph 2 of this section), report the condition to the technician. These routine checks should be made each time the receiver is placed in operation, or daily if the receiver is in continuous service.

2. EMERGENCY MAINTENANCE.

NOTICE TO OPERATORS

OPERATORS SHALL NOT PERFORM ANY OF THE FOLLOWING EMERGENCY MAINTENANCE PROCEDURES WITHOUT PROPER AUTHORIZATIONS.

a. REPLACING FUSES.

WARNING

Never replace a fuse with one of a higher rating unless continued operation of the equipment is more important than probable damage. If a fuse burns out immediately after replacement, do not replace it a second time until the cause has been corrected.

(1) SYMPTOMS OF FUSE FAILURE.—Dial light and PILOT light will be out. Receiver will be inoperative.

(2) FUSE LOCATION.—The two 1-ampere Slo-Blo used in the power supply are located on the power supply chassis toward the rear. This unit is accessible from the bottom of the main chassis (see figure 5-1).

TABLE 5-1. ROUTINE CHECK CHART

WHAT TO CHECK	HOW TO CHECK	REMARKS
Dial Light	With receiver ON, turn DIM control fully clockwise. If dial light does not light, turn LAMPS switch to SPARE position.	Check Power input, replace fuses, replace lamp; if it still does not light report to technician.
PILOT	With receiver ON, open light shutter of PILOT by turning knurled knob around light in a counterclockwise position.	If PILOT is out, and receiver is inoperative, check fuses and tubes in power supply. (See para. 2d, this section.) Replace PILOT light if burned out.
TUNING meter	Tune a strong signal. TUNING meter should read up-scale on LOW position of HIGH-LOW switch. (See para. 4d(1) of section 4.)	Failure of TUNING meter to read as described may indicate aging tubes in r-f and i-f stages. Report condition to technician.
OUTPUT meter	Read signal strength as indicated on the OUTPUT meter (See para. 4d(2) of section 4.)	Failure of meter to read on 0 db position of ADD DECIBEL switch may indicate aging tubes in audio amplifier, or trouble in OUTPUT meter circuit. Report condition to technician.
BFO	With RECEPTION control set at FSK, A1 BROAD or A1 SHARP, CW signals should be heard.	If CW signals are not heard, report condition to technician.

(3) FUSE REPLACEMENT.

(a) Slide the chassis out of the cabinet and tilt it so that the bottom is accessible.

(b) Turn one fuse holder cap at a time (counterclockwise).

(c) Pull fuse from cap and replace with new one, if blown, and turn cap in a clockwise direction, back in the fuse holder.

(d) Replace chassis in the cabinet.

b. REPLACING ELECTRON TUBES.

The location of the sub-miniature electron tubes used in these receivers does not permit the operator to check tube performance. However, the two high voltage rectifier tubes and ballast resistor used in the power supply can be checked by the operator.

(1) SYMPTOMS OF TUBE FAILURE.—If rectifier tubes in the power supply are faulty, the dial light will be lit, but the PILOT light will be out, and the receiver inoperative.

(2) ELECTRON TUBE LOCATION.—The two high voltage rectifier tubes and ballast resistor are mounted on the power supply (see figure 5-1).

(3) LOCATING AND REPLACING RECTIFIER TUBES AND BALLAST RESISTOR.—Slide the chassis out of the housing and connect the jumper cable between the socket mounted at the rear of the chassis, and the socket on the filter assembly which is located on the back wall of the cabinet.

Turn the receiver to ON and allow about 30 seconds for the tubes to warm up. The rectifier tube or tubes (V1601 and V1602) in the power supply that fail to glow should be replaced, and the ballast resistor (R1605) should be replaced if it fails to glow with a dull red. TURN RECEIVER OFF BEFORE REPLACING ANY OF THESE TUBES. (see figure 5-1).

After the tube or tubes in the power supply have been checked, turn receiver off, remove the jumper cable, replace the chassis in the cabinet.

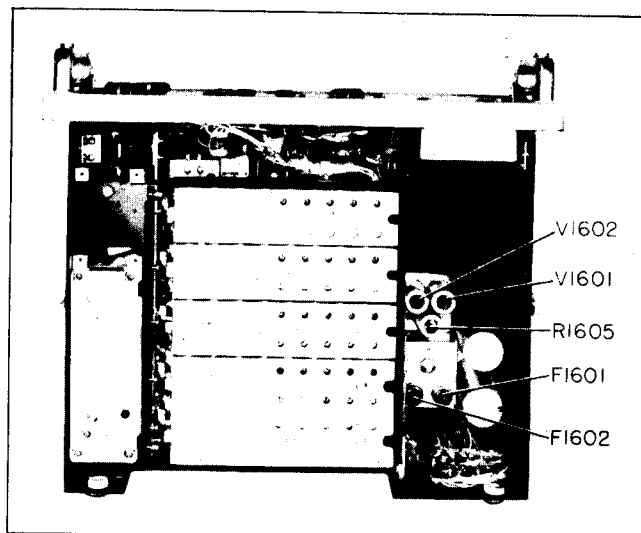


Figure 5-1. Power Supply, Bottom View

c. DIAL LIGHT EXTINGUISHED. — If the dial light does not light in the NORM position of the NORM-SPARE switch, turn control to SPARE position and report condition to the technician.

d. PILOT LIGHT EXTINGUISHED. — If the PILOT light does not light when the receiver is operating normally and the shutter in the PILOT indicator is open (turned counterclockwise), turn the POWER switch OFF and unscrew the PILOT cover (keep turning counterclockwise). Slide the chassis out of the cabinet, and remove the plunger (H260 of the AN/SRR-11, H460 of the AN/SRR-12, and H660

of the AN/SRR-13) from its position on the top left side of the chassis. The plunger has an opening on each end. Press the smaller of the openings against the PILOT bulb's face until the proper gripping takes place; then press and twist the plunger to remove the bulb. To replace the PILOT bulb, press the smaller of the plunger openings against the PILOT bulb's face until the proper gripping takes place; then grasp the large opening end of the plunger and insert the PILOT bulb into its proper receptacle and press and twist the plunger handle to lock the bulb in position. Replace the PILOT cover.

SECTION VI PREVENTIVE MAINTENANCE

THE ATTENTION OF MAINTENANCE PERSONNEL IS INVITED TO THE REQUIREMENTS OF CHAPTER 67 OF THE BUREAU OF SHIPS MANUAL, OF THE LATEST ISSUE.

1. ROUTINE MAINTENANCE CHECK CHART.

When the procedure given in Table 6-1 is followed, potential mechanical and electrical failures can often be prevented by correcting the unit at fault before it causes interruption in receiver operation. Reference should also be made to Table 5-1 of Section 5, which gives procedures for checking overall receiver performance during operation.

2. CHASSIS ADJUSTMENTS.

a. SLIDE ASSEMBLY ADJUSTMENTS.

The two eccentric hex nuts (located on the inside of the chassis-slides at the tilting fulcrum stud) are provided to adjust the chassis up or down in the case. It is necessary to remove the POWER SUPPLY to make this adjustment. These nuts must be securely locked in place with the lock nuts after the adjustment has been made.

An additional adjustment is provided to work in conjunction with the eccentric hex nuts. This is an eccentric stud at the fulcrum of the tilting lock lever. This adjustment is used to reset the chassis to a horizontal position after adjusting the eccentric nuts. It is necessary to loosen the nut on the inside of the chassis slightly before making this adjustment. Make sure this nut is tightened after the adjustment is made.

It will be noted that there is a variation in the slide fit when a chassis is changed from one case to another. It may be necessary to readjust the eccentrics when cases and chassis are interchanged. Occasionally the latches on the slides may not fall in place when the chassis is fully withdrawn from the case. This can usually be corrected by bending the lever slightly so that it will fall in the slot.

b. PULL-IN LATCH ADJUSTMENTS.

The chassis pull-in may be adjusted by loosening the screws in the keeper-plates mounted on the sides of the case. Make sure to tighten the screws securely after positioning.

Should the pull-in mechanism on the side of the chassis become inoperative, the gear mesh between the block

assembly and the handle should be checked. If the mechanism is inoperative to such an extent that lifting the handles all the way up will not release the chassis, it will be necessary to remove the two screws from the side of the case which will allow the keeper-plate to fall free in the case and permit the chassis to be pulled out. Adjust the latch block on the chassis as far forward as possible and mesh the gears in such a manner that the locking lever pin and the center of the gear are approximately on a horizontal line when the handle is locked down. A check should then be made to make sure that the locking lever lifts clear of the keeper pin when the handle is lifted up.

Make sure that the block is locked securely by the bolts from the inside of the chassis. It will be necessary to remove the POWER SUPPLY to make these bolts accessible on the right side of the chassis.

By lifting up the lens arm assembly as previously described in paragraph 4 it is possible to gain access to the bolts on the left side of the chassis without removing the dial assembly. As the glass dial is located in this proximity, extreme care must be exercised so that it will not be damaged.

3. CHECKING RECEIVER SENSITIVITY.

Refer to figure 6-1 and connect an r-f signal generator, type AN/URM-25 or Model LP series, to the ANT receptacle, J1707 of the AN/SRR-11, or J1807 of the AN/SRR-12 and -13. Use the required accessories to simulate a standard RMA Dummy Antenna (such as supplied with RF Signal Generator Set AN/URM-25, or Model LP series or equivalent generator); with RF Signal Generator Set AN/URM-25, use impedance adapter MX-1074/URM-25 and Antenna Simulator SM-35/URM-25. With the Model LP series, use Navy type 66017 dummy antenna. After the signal generator is connected as described above, perform the following checks given in steps a, b, c, and d on all five receiver bands, and compare the results against those given in Table 6-2, 6-3 or 6-4. To perform these sensitivity checks, the link O101 of the AN/SRR-11, O302 of the AN/SRR-12, and

O502 of the AN/SRR-13 should be set in the high impedance position.

NOTE

SENSITIVITY MEASUREMENTS SHOULD BE MADE WITH THE RECEIVERS PLACED IN THEIR CABINET. DO NOT USE THE TEST CABLE ASSEMBLY, CG-

1101/SRR, SINCE THE INPUT CAPACITY INTRODUCED BY THIS CABLE WILL CAUSE ERRONEOUS READINGS.

a. A1 BROAD, A1 MEDIUM, AND A1 SHARP POSITIONS, AND FSK POSITION ON AN/SRR-11:

(1) Set the RECEPTION control to A1 BROAD, the OUTPUT control to maximum and the tuning

TABLE 6-1. ROUTINE MAINTENANCE CHECK CHART.

WHAT TO CHECK	HOW TO CHECK	REMARKS
MONTHLY Mounting	Inspect that the four mounting bolts in cabinet are tight.	Tighten mounting bolts and all external fasteners when loose.
Cables	Inspect cords and plugs for wear and broken parts.	Replace cords that cause clicking sounds when shaken during operation.
QUARTERLY Slide Assembly	Remove and replace the chassis in the cabinet.	If chassis binds on rails, adjust the chassis tilting fulcrum according to directions in Section 6, para. 2. Apply lubrication as described in section 6, para. 6.
Plug-in Units	Check each plug-in unit for loose connections and appearance of component.	If components show signs of overheating, apply corrective maintenance given in Section 7.
Chassis	Inspect for loose interstage connectors (multi-sockets) on chassis.	Tighten as required.
Band Selector	Inspect for loose crank pins that connect to wafer shafts.	If one crank arm is loose, turn band switch knob to band where receiver noise is loudest, then tighten crank pin, exercising care that it is centered in the slot. If more than one crank pin is loose, line the wafers up according to procedure given in para. 13b. of Section 7.
RECEPTION Control	Inspect for loose crank arms that connect to wafer shafts.	Line the wafer switches up according to procedure given in para. 13a. of Section 7.
Cleaning	Remove dust from chassis and assemblies using small blower. Remove excess lubricant from band switch and RECEPTION control racks, miter gears, and dial gears.	After cleaning, lubricate according to instructions given in Figures 6-2 through 6-5.
SEMI-ANNUALLY Receiver	Check receiver sensitivity according to instructions in para. 3 of section 6.	Alignment may be required. See para. 14, Section 7.
Spare Assemblies	Inspect for evidence of physical damage.	See para. 5 of Section 6.
Dial light adjust.	Check alignment of tuning dial and operation of dial light. Check the mirror assembly.	If alignment is required see para. 11 of Section 7. If the mirror is dirty clean it as per para. 8 of this section.

dial to the frequency specified in Table 6-2, 6-3, or 6-4.

(2) Disconnect the standard dummy antenna from the Signal Generator and connect a short across the input of the dummy antenna.

(3) With the ADD DECIBELS switch in the -10 db position, adjust the GAIN control for a noise level of -10 db as read on the OUTPUT meter. (This is a total of -20 db with respect to 6 milliwatts, or equivalent to an output level of 60 microwatts or 0.19 volt across 600 ohms.)

(4) Remove the short connected in step (2) and reconnect the dummy antenna to the signal generator.

(5) With the signal generator set for an unmodulated output, tune the signal generator for a maximum indication on the receiver TUNING meter.

(6) Set the RECEPTION control to A1 SHARP, and adjust the receiver FREQ VERNIER to produce a beat note of 1000 cycles per second. A 1000 cps beat note will occur at the FREQ VERNIER setting which produces maximum reading on the OUTPUT meter.

(7) Set the RECEPTION control to A1 BROAD.

(8) With the ADD DECIBELS switch in the 0 position, adjust the signal generator for 0 db reading on the receiver OUTPUT meter. (This is equivalent to an output level of 6 milliwatts or 1.9 volts across 600 ohms).

(9) Under this condition, the signal generator output level is a measure of the receiver sensitivity. Check this sensitivity reading against the corresponding value given in Table 6-2, 6-3 or 6-4.

(10) Measure the sensitivity in the A1 SHARP and in the FSK positions of the RECEPTION control on the AN/SRR-11. Substitute the appropriate RECEPTION control position in steps (1) and (7) when performing the sensitivity checks for FSK and A1 SHARP.

~~A1-MEDIUM~~
b. ~~A2-POSITION:~~

(1) ~~Set the RECEPTION control to A2, the OUTPUT to maximum, and the tuning dial to the frequency specified in Table 6-2, 6-3, or 6-4.~~

(2) ~~Set the signal generator for 30 percent modulation at 1000 cps, and adjust the signal generator frequency for a maximum reading on the receiver TUNING meter.~~

(3) ~~Switch the signal generator to an unmodulated output (leaving signal generator carrier level unchanged) and adjust the GAIN control for a 0 db reading on the OUTPUT meter with the ADD~~

~~DECIBELS switch in the 10 position. (This is equivalent to an output level of 600 microwatts or 0.6 volt across 600 ohms).~~

(4) ~~Switch the signal generator back to a modulated output and adjust the generator signal level for 0 db reading on the receiver OUTPUT meter with the ADD DECIBELS switch in the 0 position (this is equivalent to an output level of 6 milliwatts or 1.9 volts across 600 ohms).~~

(5) ~~Repeat steps (3) and (4) until both conditions can be attained without further gain control adjustment.~~

(6) ~~With conditions of step (5) satisfied, the signal generator output level is a measure of the receiver sensitivity. Check this sensitivity reading against the corresponding value given in Table 6-2, 6-3, or 6-4.~~

c. A3 SHARP AND A3 BROAD POSITIONS
(AN/SRR-12 and -13 ONLY).

(1) Set the RECEPTION control to A3 SHARP, the SILENCER control to minimum and the tuning dial to the frequency specified in Table 6-2, 6-3, or 6-4.

(2) Repeat steps (2) to (6) of the preceding paragraph b, substituting the OUTPUT control for the GAIN control.

(3) Set the RECEPTION control to A3 BROAD, and repeat steps (2) to (6) of the preceding paragraph b, substituting the OUTPUT control for the GAIN control.

d. FSK (AN/SRR-12 and -13).

This measurement cannot be made conveniently, because the AGC and BFO are both operating. The AGC prevents determining the signal-to-noise ratio by applying and removing the carrier, as is done for A1 measurements. The BFO prevents determining signal-to-noise ratio by applying and removing modulation, as is done for A3 measurements. A check on the operation in this position of the RECEPTION control can be obtained by setting up a signal as for A1 BROAD sensitivity, paragraph a steps (1) to (8), then:

(1) Set the RECEPTION control to FSK.

(2) Set the OUTPUT control to produce a 0 db reading on the OUTPUT meter.

(3) Set the FREQ VERNIER control to minimum (fully counterclockwise).

(4) Switch the reception control alternately to A1 BROAD and FSK while listening to the phones.

(5) If the receiver is operating properly to receive F3 signals, then except for shift in audio fre-

quency, the signal-to-noise ratio in the FSK position of the RECEPTION control sounds only slightly inferior to that in A1 BROAD. This is a rough check but if there is anything wrong with receiver sensitivity in the FSK position of the reception control, a major change in output quality (signal almost lost in noise, no signal, etc.) will be noted.

4. SENSITIVITY DATA.

The information given in Tables 6-2, 6-3, and 6-4 indicates typical sensitivity data for Radio Receivers AN/SRR-11, -12, -13, as measured in the manner described in the preceding paragraph 3. Receivers that differ appreciably (by a factor of more than 2 or 3) from these values are probably out of alignment or have more serious difficulties.

On Radio Receiver AN/SRR-11, FSK sensitivity is the same as A1 BROAD; and A2 sensitivity data is shown only for frequencies above 200 kc, because selectivity of the equipment is too sharp to permit good A2 reception below this frequency.

On Radio Receivers AN/SRR-12 and AN/SRR-13, FSK sensitivity is omitted because this measurement in the field is not recommended. The FSK sensitivity will normally lie between the values given for A1 BROAD and those for ~~A2~~ A1 MEDIUM

5. SPARE ASSEMBLIES.

Spare assemblies should be stored in a locker or box that is free of excess moisture. Never stock the spare units on top of each other when unpacked.

6. LUBRICATION.

Lubricate the equipment at the time intervals and with the lubricants indicated in figures 6-2 to 6-5 inclusive. Caked or dirty lubricant should be removed with Dry Cleaning Fluid 140-F (5 gal. drum, stock number G51-S-9718-10).

7. TUBE CHECKING.

Checking tubes in this equipment as a periodic maintenance is not recommended. When failure occurs in the equipment, trouble shooting procedure (Section 7) will determine which may have failed. As long as performance of the equipment is satisfactory, the sub-miniature tubes should not be disturbed.

8. CLEANING MIRROR.

Use a soft cloth with a soap solution or alcohol and wipe the mirror softly. Lens cleaning tissues are not recommended.

TABLE 6-2. SENSITIVITY DATA RADIO RECEIVER AN/SRR-11

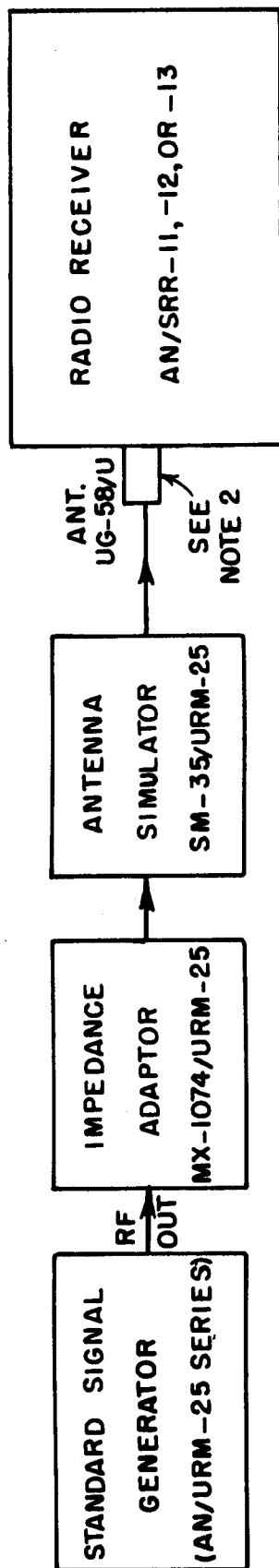
BAND	FREQ. KCS.	SENSITIVITY (microvolts)		
		A1 BROAD and FSK	A1 SHARP	A2
1	14	4.7	4.6	—
	22	3.0	3.0	—
	30	3.0	2.5	—
2	30	4.6	3.9	—
	46	3.2	2.2	—
	63	3.2	2.0	—
3	63	4.3	2.8	—
	97	2.4	1.7	—
	133	2.0	1.0	—
4	133	2.7	1.8	—
	206	1.8	1.0	3.9
	283	1.5	0.8	2.7
5	283	2.9	1.5	3.5
	438	2.0	0.8	2.0
	600	1.5	0.9	1.6

TABLE 6-3. SENSITIVITY DATA RADIO RECEIVER AN/SRR-12

BAND	FREQ. KCS.	SENSITIVITY (microvolts)				
		A1 BROAD	A1 SHARP	A2	A3 SHARP	A3 BROAD
1	250	2.9	1.2	3.4	4.0	4.3
	360	3.0	1.2	3.9	4.2	4.6
	500	2.5	1.0	3.2	3.4	3.9
2	500	2.9	1.2	3.2	3.4	3.8
	720	2.8	1.2	3.9	4.6	5.2
	1000	2.5	1.1	3.4	4.0	4.4
3	1000	3.0	1.15	4.0	5.8	6.1
	1440	2.5	1.0	3.2	3.5	4.2
	2000	2.1	0.9	2.8	3.8	4.4
4	2000	2.6	1.0	3.1	4.2	5.2
	2880	2.3	1.0	2.9	3.2	4.1
	4000	2.3	1.0	2.8	3.2	4.0
5	4000	2.8	1.1	3.5	4.0	5.2
	5750	2.6	1.1	3.1	3.5	4.4
	8000	2.3	1.1	2.9	3.2	4.3

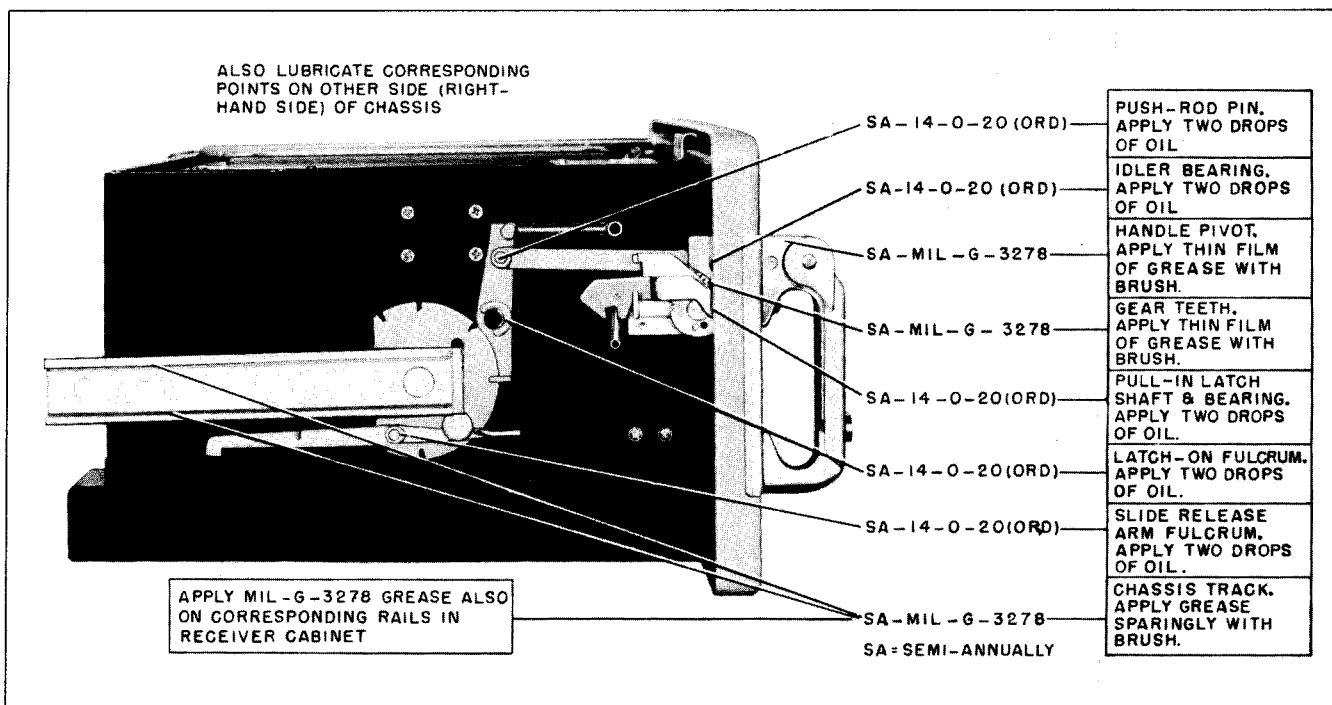
TABLE 6-4. SENSITIVITY DATA RADIO RECEIVER AN/SRR-13 AND AN/SRR-13A

BAND KCS.	FREQ. MCS.	SENSITIVITY (microvolts)					
		A1 BROAD	A1 MEDIUM	A1 SHARP	A2	A3 SHARP	A3 BROAD
1	2.0	2.8	2.0	1.3	4.4	5.5	6.7
	2.8	3.1	2.5	1.5	5.2	6.1	7.0
	4.0	2.9	2.3	1.4	4.7	5.7	7.0
2	4.0	4.1	3.1	1.8	6.0	8.5	10.0
	5.6	4.1	3.2	1.9	6.8	8.6	9.6
	8.0	4.7	3.7	2.3	7.3	8.8	10.0
3	8.0	4.0	2.5	1.8	6.2	8.5	10.0
	11.3	3.9	3.0	1.8	6.5	8.8	11.0
	16.0	5.1	3.8	2.3	6.0	8.2	10.0
4	16.0	7.3	5.2	2.7	11.0	12.0	14.0
	19.5	6.1	4.1	2.5	9.5	12.0	14.0
	24.0	5.8	4.2	2.7	7.1	9.0	10.2
5	24.0	7.5	5.4	3.4	8.5	11.0	13.0
	27.7	6.7	5.2	3.9	8.0	10.0	12.0
	32.0	5.9	4.7	3.6	7.0	7.5	9.3



- NOTES: 1 - CONNECT THE SIGNAL GENERATOR TO THE RECEIVER ANT. RECEPTACLE THROUGH THE IMPEDANCE ADAPTOR AND ANTENNA SIMULATOR THROUGH PROPER CONNECTOR AND CABLES AS PER THE INSTRUCTION BOOK (NAVSHIPS 91283 FOR THE RF SIGNAL GENERATOR SET (AN/URM-25)).
- 2 - THIS IS RECEPTACLE J1707 OF THE AN/SRR-11, J1807 OF THE AN/SRR-12, OR -13 AT THE BACK OF THE RECEIVER CABINET.

Figure 6-1. Test Set-up for Receiver Sensitivity Measurements



Figur 6-2. Lubrication Chart, Chassis Positioning Mechanism

SPECIFICATION NUMBER AND TABLE	STANDARD NAVY STOCK NUMBER				
	8 OZ.	1 LB.	5 LB.	25 LB.	1 PINT
MIL-G-3278* Grease, Aircraft & Instruments	W14-G-611-5, R14-G-984-500	W14-G-611-10, R14-G-982-20	W14-G-984-520	R14-G-984-540	
14-0-20 Oil, Lubricating Instrument (Synthetic)					W14-0-975-25

* Formerly AN-G-25.

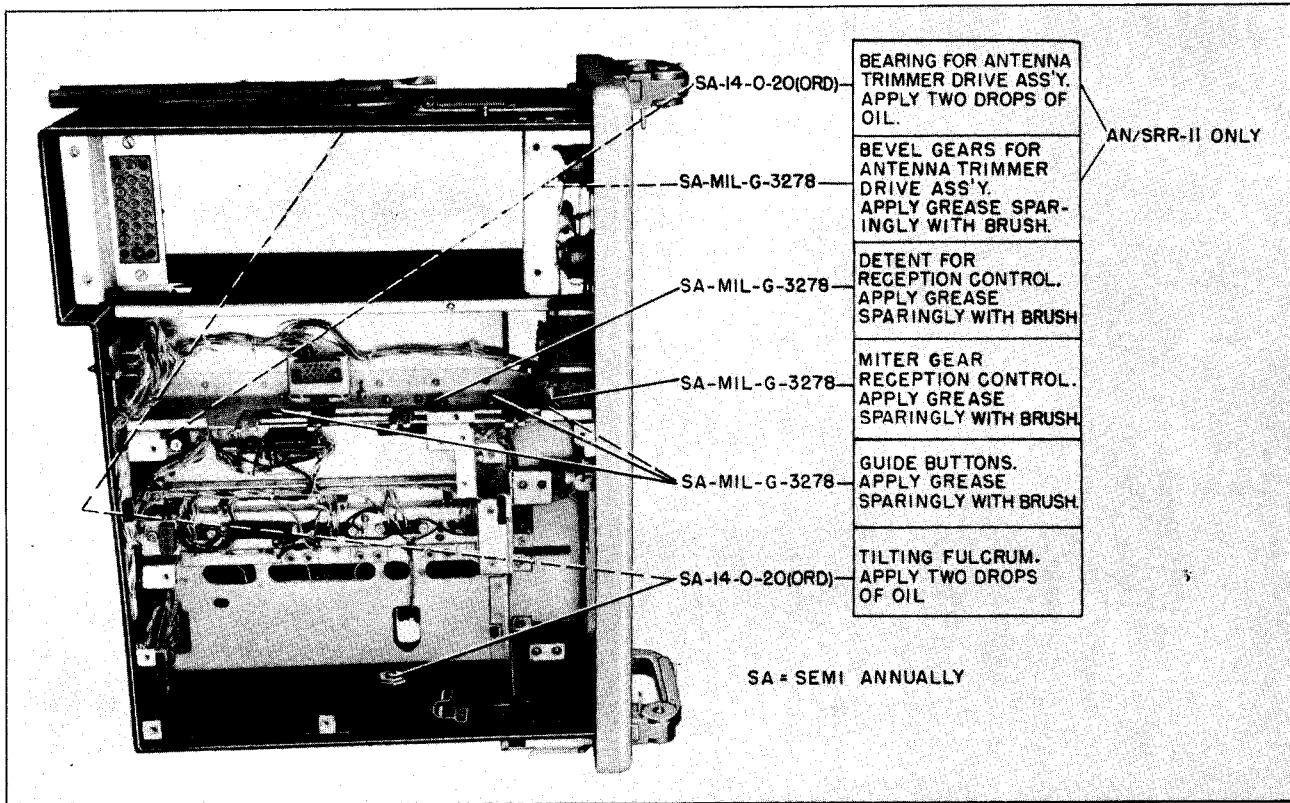


Figure 6-3. Lubrication Chart, Chassis Top View

SPECIFICATION NUMBER AND TABLE	STANDARD NAVY STOCK NUMBER				
	8 OZ.	1 LB.	5 LB.	25 LB.	1 PINT
MIL-G-3278* Grease, Aircraft & Instruments	W14-G-611-5, R14-6-984-500	W14-G-611-10, R14-G-982-20	W14-G-984-520	R14-G-984-540	
14-0-20 Oil, Lubricating Instrument (Synthetic)					W14-0-975-25

* Formerly AN-G-25.

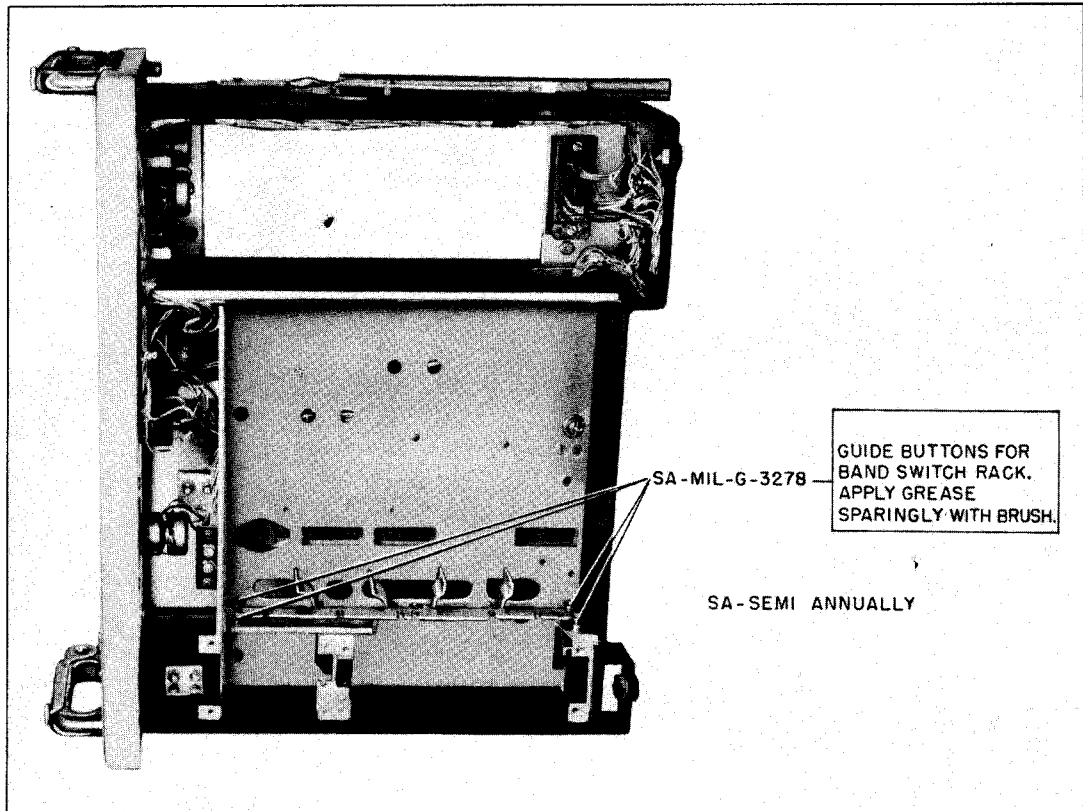


Figure 6-4. Lubrication Chart, Chassis Bottom View

SPECIFICATION NUMBER AND TABLE	STANDARD NAVY STOCK NUMBER				
	8 OZ.	1 LB.	5 LB.	25 LB.	1 PINT
MIL-G-3278* Grease, Aircraft & Instruments	W14-G-611-5, R14-G-984-500	W14-G-611-10, R14-G-982-20	R14-G-984-520	R14-G-984-540	

* Formerly AN-G-25.

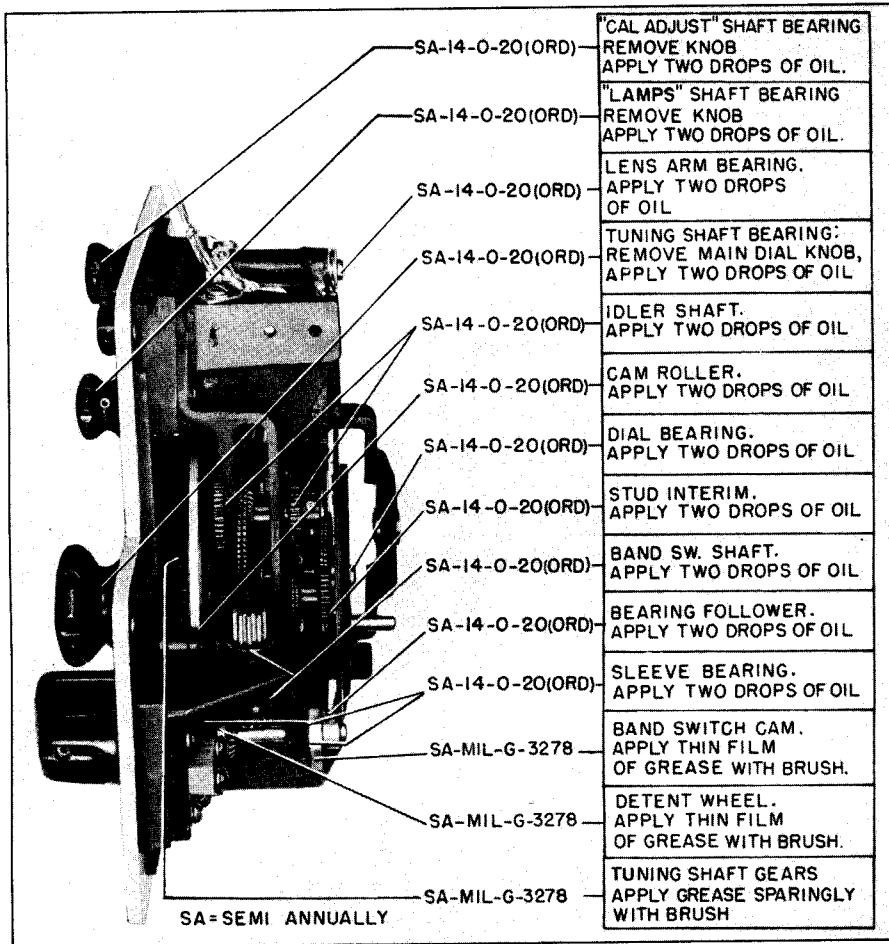


Figure 6-5. Lubrication Chart, Tuning Dial Assembly

SPECIFICATION NUMBER AND TABLE	STANDARD NAVY STOCK NUMBER				
	8 OZ.	1 LB.	5 LB.	25 LB.	1 PINT
MIL-G-3278* Grease, Aircraft & Instruments	W14-G-611-5, R14-G-984-500	W14-G-611-10, R14-G-982-20	R14-G-984-520	R14-G-984-540	

* Formerly AN-G-25.

SECTION 7

CORRECTIVE MAINTENANCE

WARNING

Voltages over 300 volts shall be measured as follows:

- (1) Deenergize the equipment. Ground terminals to be measured to discharge any capacitors connected to these terminals. (See Note F.)
- (2) Connect meter to terminals to be measured using a range higher than the expected voltage.
- (3) **WITHOUT TOUCHING METER OR TEST LEADS**, energize the equipment and read the meter.
- (4) Deenergize the equipment. Ground the terminals connected to the meter before disconnecting meter.

NOTES:

- (A) **MAKE SURE** you are **NOT GROUNDED** whenever you are adjusting equipment or using measuring equipment.
- (B) In general, **USE ONE HAND** only when servicing live equipment.
- (C) If test meter must be held or adjusted while voltage is applied **GROUND** the case of the meter before starting measurement and **DO NOT** touch the live equipment or personnel working on live equipment while you are holding the meter. Some moving-vane type meters should not be grounded. These should not be held during measurements.
- (D) **DO NOT FORGET** that high voltages **MAY BE PRESENT** across terminals that are normally low-voltage, due to equipment breakdown. Be careful even when measuring low voltages.
- (E) **DO NOT** use test equipment known to be in poor condition.
- (F) High-voltage high-capacity capacitors should be discharged with a grounding stick with approximately 10 ohms in series with the grounded line. Where neither terminal of a capacitor is grounded, short capacitor terminals to each other.

WARNING

THIS EQUIPMENT EMPLOYS VOLTAGES WHICH ARE DANGEROUS AND MAY BE FATAL IF CONTACTED. ALWAYS OBSERVE ALL SAFETY REGULATIONS AND PRECAUTIONS. REFER TO THE SAFETY NOTICE AT THE BEGINNING OF THIS BOOK.

FAILURE REPORTS

A FAILURE REPORT must be filled out for the failure of any part of the equipment whether caused by defective or worn parts, improper operation, or external influences. It should be made on Failure Report, form NAVSHIPS 383, which has been designed to simplify this requirement. The card must be filled out and forwarded to BUSHIPS. Full instructions are to be found on each card.

Use great care in filling the card out to make certain it carries adequate information. For example under "Circuit Symbol" use the proper circuit identification taken from the schematic drawings, such as T-803, in the case of a transformer, or R-207, for a resistor. Do not substitute brevity for clarity. Use the back of the card to completely describe the cause of failure and attach an extra piece of paper if necessary.

The purpose of this report is to inform BUSHIPS of the cause and rate of failures. The information is used by the Bureau in the design of future equipment and in the maintenance of adequate supplies to keep the present equipment going. The cards you send in, together with those from hundreds of other ships, furnish a store of information permitting the Bureau to keep in touch with the performance of the equipment of your ship and all other ships of the Navy.

This report is not a requisition. You must request the replacement of parts through your Officer-in-Charge in the usual manner.

Make certain you have a supply of Failure Report cards and envelopes on board. They may be obtained from the nearest District Printing and Publication Office.

1. INTRODUCTION.

This section is written to help the technician in localizing trouble, and in repairing and adjusting the equipment as necessary. It also contains reference data on electron tube characteristics, crystal characteristics, coil winding, and selectivity curves.

A list of test equipment required for trouble shooting and alignment of Radio Receivers AN/SRR-11, AN/SRR-12, AN/SRR-13 is given in Table 7-1.

Follow the instructions given in section 3, paragraph 2a, for removal of the chassis from the cabinet, and in section 3, paragraph 3a, for placing the receiver in the servicing positions. A test cable assembly, CG-1101/SRR, is provided for operating the receiver in the servicing positions. See paragraph 3e for connecting this cable.

2. LOCALIZING TROUBLE.

Radio Receivers AN/SRR-11, AN/SRR-12, and AN/SRR-13 are comprised of 12 assemblies, namely antenna, r-f, mixer, oscillator, first i-f, second i-f, audio, BFO, crystal calibrator, power supply, tuning dial assembly, and filter assembly. Each of these assemblies can be removed and replaced by loosening a few captive screws; some assemblies require slight additional procedures (see paragraph 6 for instructions on removal of assemblies).

When trouble occurs, the first step is to establish in which assembly the fault exists. The faulty assembly can then be replaced if a spare one is available, or repaired if there is no spare assembly. Most of the assemblies are divided into sub-assemblies, many of which plug into the assembly. Each plug-in sub-assembly contains a sub-miniature electron tube and associated parts.

TABLE 7-1. LIST OF TEST EQUIPMENT REQUIRED FOR TROUBLE SHOOTING AND ALIGNMENT OF RADIO SETS AN/SRR-11, -12, -13

ITEM NO.	QUAN.	DESCRIPTION	NAVY DESIGNATION
1	1	Multimeter	AN/PSM-4 TS-352/U Series
2	1	Electronic Multimeter	ME-25/U Series
3	1	RF Signal Generator Set	AN/URM-25 **
	1	** Impedance Adapter (Part of AN/URM-25)	MX-1074/URM-25
	1	** Antenna Simulator (Part of AN/URM-25)	SM-35/URM-25
		** Test Lead (Part of AN/URM-25)	CX-1363/U*
4	1	Audio Oscillator	TS-382A/U or higher, Navy Model LAJ Series
5	1	Heterodyne Frequency Meter	Navy Model LR Series
6	1	Oscilloscope	OS-8/U, Model OBL or OBT Series
7	1	Tube Tester	TV-3/U Series

* Contains an isolating capacitor.

** See foot note on page 6-2

Plug-in sub-assemblies are of two types, plug-in boards, and plug-in units. The plug-in boards are located in the antenna, r-f, mixer, and oscillator assemblies; and the plug-in units are in the first i-f, second i-f, audio, BFO, and crystal calibrator assemblies. The power supply assembly uses the conventional type tube and does not contain sub-assemblies. The tuning dial and filter assemblies do not contain electron tubes. The procedure given below quickly and systematically checks the functioning of the radio receiver by observation of the indicators that are built into the equipment. Two of these indicators (TUNING meter and OUTPUT meter) check the signal circuits, the two others (pilot light, dial light) are related to the power circuits. This procedure follows and describes steps outlined in the trouble shooting chart, Table 7-2. After localizing the trouble to an assembly or system, the procedure refers to a portion of paragraph 3, Detailed Trouble Shooting, where information is given for a more thorough check of the equipment. In some cases, where use of the equipment indicators isolates the trouble to a limited section of the receiver, details for localizing trouble are contained right within that paragraph without referring to paragraph 3.

When trouble occurs or when it is desired to make a systematic check of the receiver performance, visually inspect the chassis, check for charred insulation, discoloration of parts, leakage of potting compound or indications of abnormal operation. If the parts appear normal and odor of burned insulation is not detected, proceed as follows to localize the trouble or to check the receiver.

a. DIAL LIGHT AND FUSES.—Turn the POWER switch to ON and check the dial light. If the dial light is glowing, this indicates that the power input and power transformer, T1601, primary circuits are operating. In this case follow with step *b* of this procedure. If the dial light is not glowing, switch the LAMPS control to the SPARE position; if the dial light still does not glow and the receiver is dead, then replace fuses F1601 and F1602 located on the bottom of the power supply assembly, as shown in figure 7-2. If this does not correct the trouble, then see paragraph 3 (*a*) of this section.

b. PILOT LIGHT.—Check the pilot light: if the pilot light is glowing, this will indicate that the d-c power supply is operating. In this case, see step *c* of this procedure. If the pilot-light is not glowing, replace it if it is burned out. If the light still fails to glow, replace tubes V1601, and V1602 located in the power supply assembly. If these measures fail to correct the trouble, then see paragraph 3*b*.

c. PHONES AND OUTPUT METER.—Check the OUTPUT meter and phones while attempting to tune in a signal. If the OUTPUT meter and phones both give an indication of signal, then the receiver is operating, but other associated devices such as crystal calibrator or TUNING meter may not be operating. For a more thorough check on the receiver continue on with step *d*.

If just one of the two, either OUTPUT meter or phones, gives an indication of signal, then the trouble

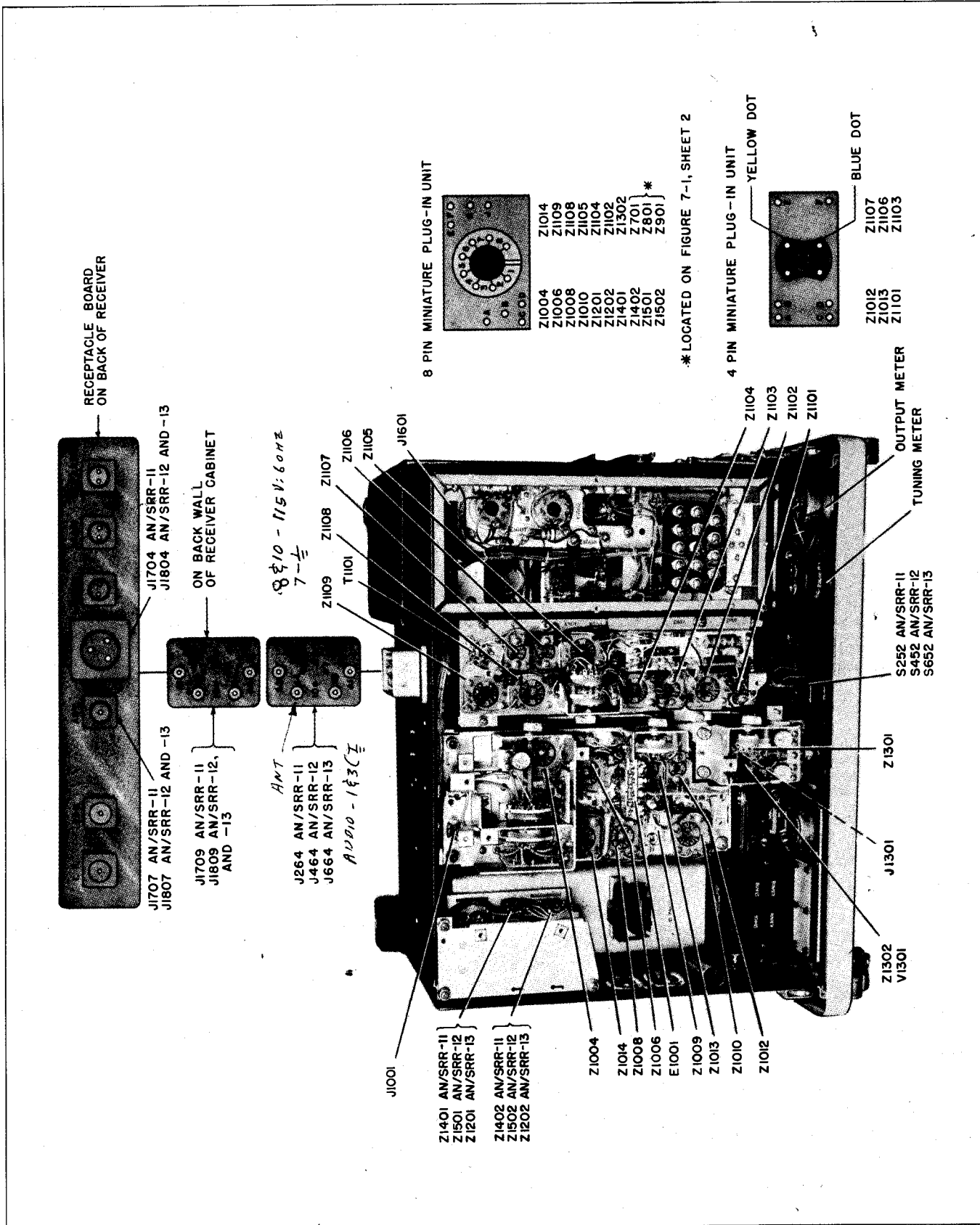


Figure 7-1. Stage Gain and Trouble Shooting Measurement Points (Top View)
(Sheet 1)

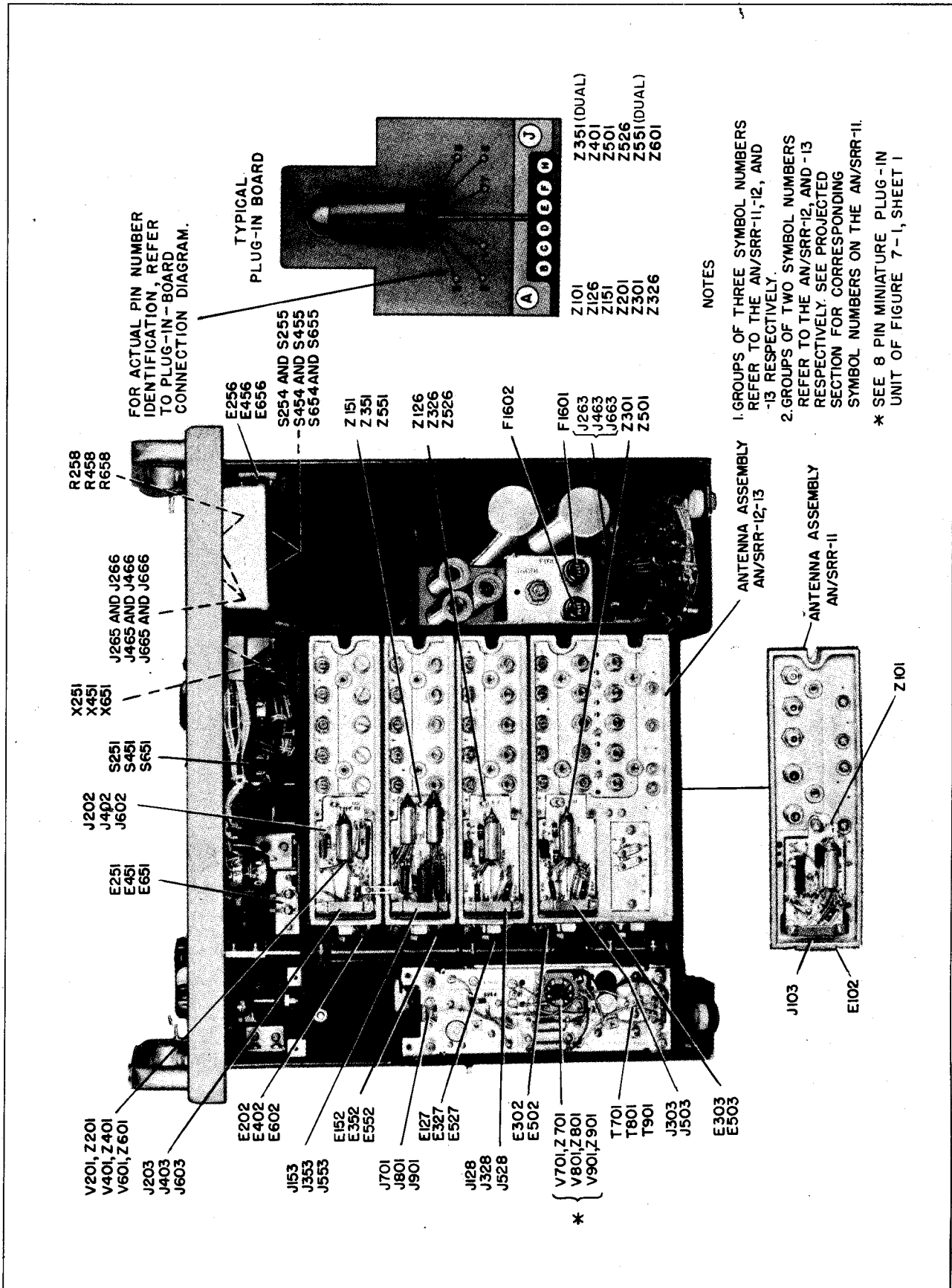
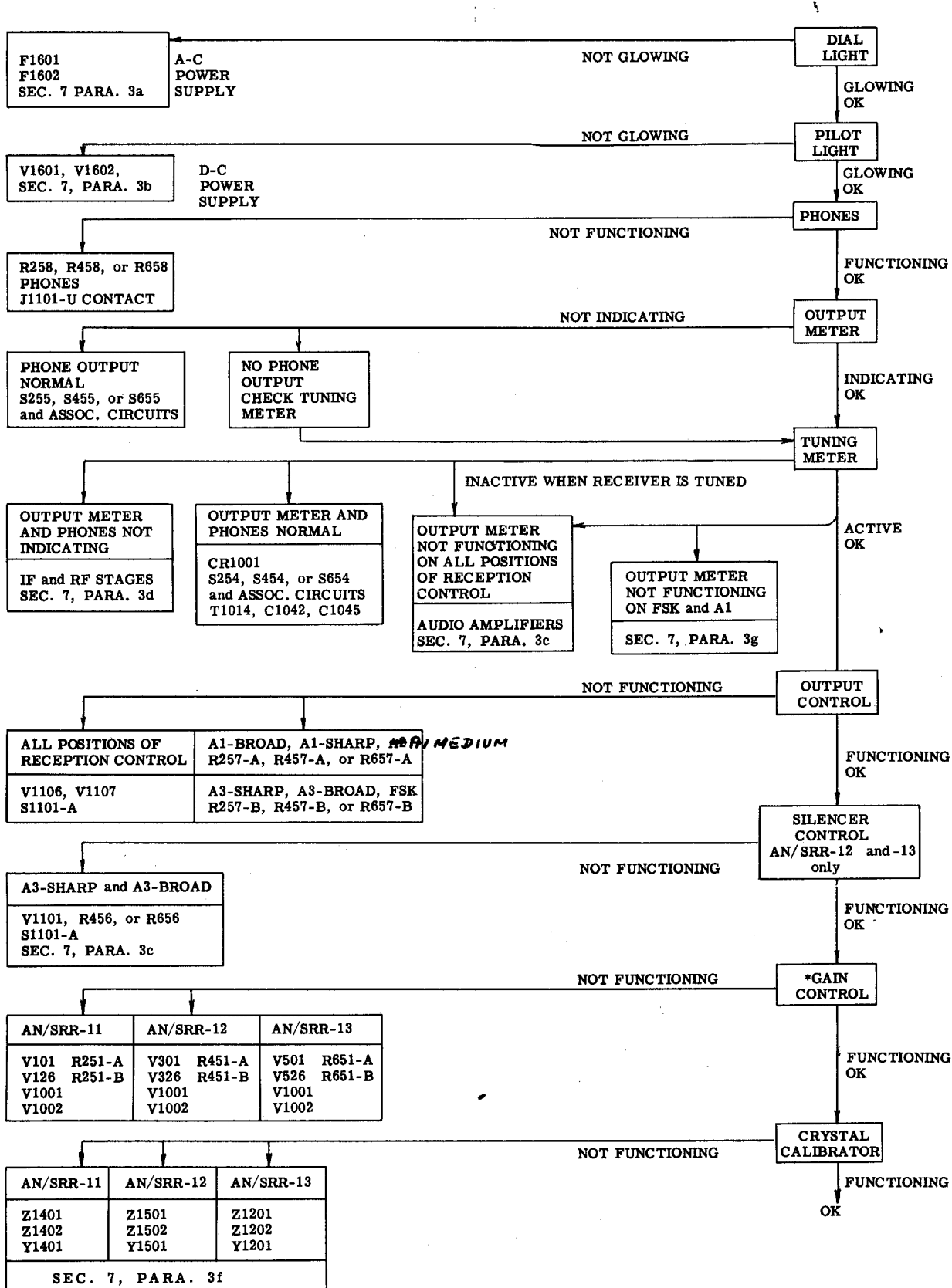


Figure 7-1. Stage Gain and Trouble Shooting Measurement Points (Bottom View) (Sheet 2)

TABLE 7-2. TROUBLE SHOOTING CHART



*This control is active only on the A1 and A2 positions of the Reception Control.

lies within the immediate circuits of the other. This trouble can be localized by taking resistance measurements of the faulty circuit. Refer to the appropriate schematic diagram.

If the OUTPUT meter and phones do not give an indication of signal then go on to step *d* of this procedure.

d. TUNING METER.—Check the TUNING meter while attempting to tune a signal. If the TUNING meter gives an indication of signal, the receiver is operating from the antenna input to the output of the 3rd amplifier (V1003) of the second IF. If such is the case and previously the OUTPUT meter and phones were found to be not indicating a signal in step *c*, then the trouble is localized to the audio assembly and associated external components and interconnecting lines. For further procedures in localizing this trouble see paragraph 3c.

If no known trouble exists and this procedure is used as a check of the functioning of the equipment go on to step *e*.

If the TUNING meter gives an indication but there is no signal output as indicated by phones or output meter in the CW positions of the RECEPTION control A1 BROAD, A1 SHARP, and FSK, then see step *i* of this procedure.

If the TUNING meter gives no indication of signal and the OUTPUT meter and phones give no indication of signal as determined in step *c*, then the trouble lies in the i-f or r-f systems, (see paragraph 3*d* for further localization of trouble).

e. OUTPUT CONTROL.—Check the OUTPUT control. If the OUTPUT control is functioning properly it should vary the output level of signal on the OUTPUT meter. If the OUTPUT control does perform this function, then go to step *f*.

If the OUTPUT control does not perform this function on A1 and ~~A2~~ ^{A1 MEDIUM} positions of the RECEPTION control then check R257A of the AN/SRR-11, R457A of the AN/SRR-12, and R657A of the AN/SRR-13 and its associated wiring.

If the OUTPUT control does not perform this function on A3 and FSK positions of the RECEPTION control then check R257B, R457B, or R657B and its associated interconnections.

f. SILENCER CONTROL.—Check the SILENCER control (AN/SRR-12 and -13 only). This control is active only on the A3 positions of the RECEPTION control. To check its functioning, turn the control

fully counterclockwise and tune in an A3 signal; then turn the silencer control clockwise and note if the control eliminates the background noises. If it does perform this function go on to step *g* of this procedure. If it does not perform this function then check the noise peak limiter diode, V1101, and its associated components, R456 of the AN/SRR-12, R656 of the AN/SRR-13 and the interconnecting lines, and the portion of switch S1101A associated with this control.

g. GAIN CONTROL.—Check the GAIN control (active on A1 and ~~A2~~ ^{A1 MEDIUM} positions of the RECEPTION control) and FSK position of the AN/SRR-11. This control should vary the signal output as indicated by the TUNING meter, OUTPUT meter and phones. If the gain control does vary the signal output as described above, then proceed to step *b* of this procedure. If the gain control does not vary the output level to any degree, then the trouble is probably in the immediate circuits of the GAIN control itself, R251A and B of the AN/SRR-11, R451A and B of the AN/SRR-12, R651A and B of the AN/SRR-13. Check resistance and continuity of this control and its interconnections till the fault is found. Refer to the appropriate schematic diagram and figure 7-1 (sheets 1 and 2) for location of interconnections. If the GAIN control varies the output to only a slight degree, then the trouble is probably in either the antenna and r-f section of the gain control R251A, R451A, or R651A and its associated circuit, or in the 2nd i-f section of the GAIN control, R251B, R451B, or R651B and its associated circuit. To localize this trouble to any of the above mentioned sections check for a slight positive voltage, which should vary as the gain control is turned, on terminal 3 of both the A and B section of the GAIN control. Check this voltage on all the applicable points as given on the appropriate schematic diagram until the faulty connection or part is found.

b. CRYSTAL CALIBRATOR.—Turn the CAL switch to on. Turn the tuning knob until a zero beat is obtained on the phones. Check this on all five bands, and at several frequency check points throughout each band. Note the position of the tuning dial at zero-beat. If the positions of the zero beat coincide with the frequency check points on the dial (inverted V on the freq. scale), or are capable of being brought to coincidence by the CAL ADJUST knob, then continue with step *i* of this procedure. If zero beat indications are obtained, but their position does not correspond to the frequency dial check points, then misalignment of the oscillator, crystal calibrator, or tuning dial is indicated.

The 95-volt regulated B+ supplies plate voltage to the oscillator. A changed value of this voltage could cause misalignment of the oscillator. Check regulated B+ voltage between J203F of the AN/SRR-11, J403F of the AN/SRR-12, or J603F of the AN/SRR-13 and ground. If it is not 95 volts d.c., then replace the regulator tube (V1603) in the power supply. If this fails to give the required 95 volts at the above mentioned jacks, then check the voltage at all the connectors through which the regulated B+ passes until the fault is found. Refer to the appropriate schematic diagram and to figure 7-1 (sheets 1 and 2) for location of these connectors. If this voltage is 95 volts d.c., then check the crystal calibrator frequency. See paragraph 14e for checking the crystal calibrator frequency. *Do not tamper with the crystal calibrator adjustments until it is made certain that this frequency is off.* If the crystal calibrator frequency is correct, then align the oscillator section on only the band or bands where calibration cannot be obtained. See paragraph 14f for oscillator and r-f alignment.

If beat notes are not obtained on any position of the band selector and the receiver is otherwise operative, then trouble in the crystal calibrator assembly and interconnections is indicated. See paragraph 3f for localizing this trouble.

i. **FREQ. VERNIER (BFO).**—Turn the RECEPTION control to A1 position, and tune in a signal. If a signal can be heard, and the audio note can be adjusted to 1000 cps (approx.) by the FREQ. VERNIER control, then proceed to step j.

If a beat note is heard but cannot be tuned properly then see paragraph 14d for alignment of the BFO.

If a beat note is not heard but a signal is indicated on the tuning meter, then the fault most likely lies in the BFO assembly or in the BFO mixer stage Z1010 of second i-f. See paragraph 3g for further localization.

If a beat note is not heard on phones or indicated on the TUNING meter, then the fault lies in the second i-f assembly; see paragraph 3d for further localization.

j. **WEAK OUTPUT.**—If all of the above controls and meters function, but the receiver in general appears to have a weak output, check the receiver sensitivity as described in Section 6. If the sensitivity is normal, the trouble lies in the antenna and its connecting lines, or the set is in an area of weak signal reception.

If the sensitivity is low then take stage gain measurements starting from the audio output Z1109 and

working back to the receiver input. Nominal stage gain measurements are given in Table 7-3. If a stage gain is found to be low, replace the stage. If this fails to correct the trouble, then a fault in the interconnections between the stages is indicated. Check voltage and resistance as given in Table 7-4 to further localize this trouble. A low stage gain measurement in the r-f section, first i-f, or second i-f could indicate misalignment; see paragraph 14 for alignment of the receiver.

3. DETAILED TROUBLE SHOOTING.

The following procedures constitute a detailed, systematic, and complete check on the functioning of the equipment. These procedures should not be used as a direct means of trouble shooting. It should rather be used after trouble has been localized by the procedures described in paragraph 2, and as a complement to these procedures. Refer to appropriate schematic diagram figures 7-12 to 7-14, to the component location illustration figure 7-1 (sheets 1 and 2), and the connection (wiring) diagrams. Table 7-1 is a list of test equipment required throughout this procedure. The block diagrams shown in figures 2-8 to 2-10 will often help in visualizing possible sources of trouble.

a. **A-C POWER SUPPLY.**—(Dial light not glowing, pilot light not glowing, as per paragraph 2a.) After the fuses have been eliminated as a possible source of trouble, remove the test cable connector from the rear of the receiver chassis and check between pins 8 and 10 of the test cable connector for presence of a-c line voltage by use of a voltmeter similar to item 1 of Table 7-1. If a-c line voltage is present at these points, the trouble lies either in the chassis interconnections, power switch (S251, S451, or S651), or the power transformer (T1601) primary (pins 1, 2, 3, 4, or 6) or secondary filament circuits (pins 10 to 14). See step (2) for further procedures. If a-c line voltage is not present at these points, the trouble lies either in the filter assembly, the test cable (CG-1101/SRR), or the power cable connecting the receiver to the source of a-c power. See step (1) for further procedures.

(1) Check to see if there is line voltage supplying the receiver. If such is the case, remove the receiver from the cabinet (as described in Section 3 paragraph 2a), and check for presence of line voltage at pins 8 and 10 of J264 of the AN/SRR-11, J464 of the AN/SRR-12, or J664 of the AN/SRR-13. (This jack is located at the back wall of the receiver cabinet, see figure 7-1, sheet 2). If line voltage is present at these points then the trouble lies in the test cable assembly. Check the continuity of the cable to find which of the

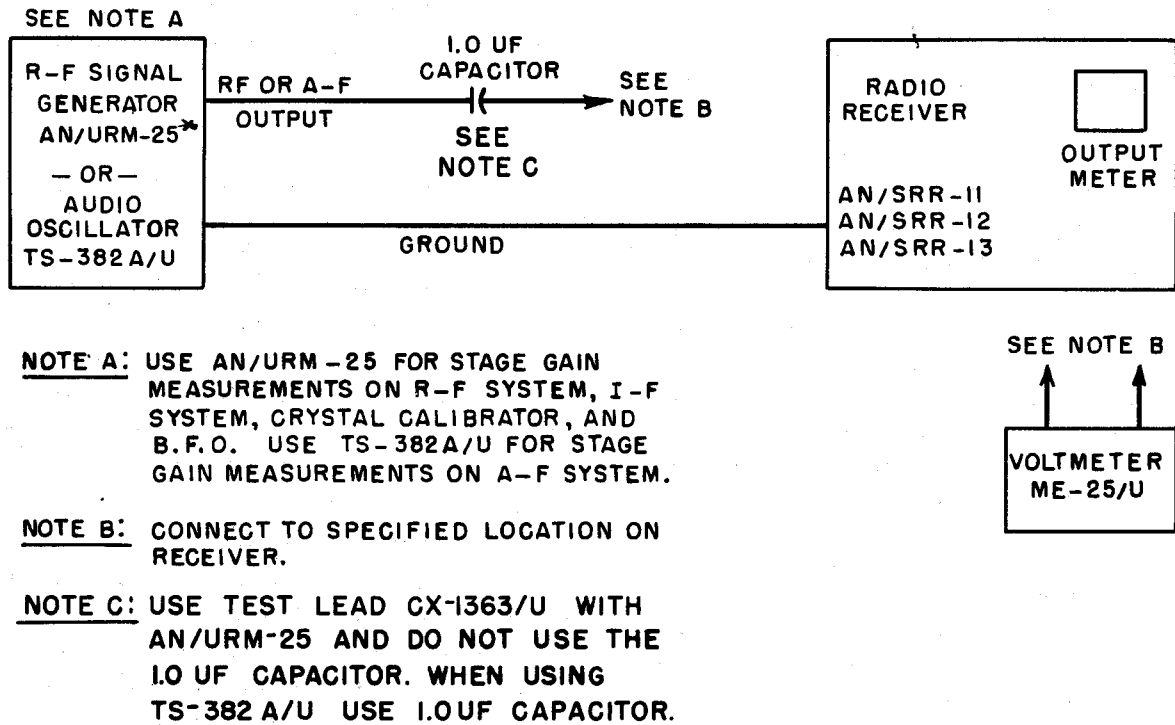


Figure 7-2. Test Set-Up for Stage Gain Measurements

* See footnote on page 6-2.

power leads (pin 8 or 10) is at fault then correct trouble. If line voltage is not present at this point, then remove the plug from power input receptacle at the back of the receiver cabinet J1704 of the AN/SRR-11, J1804 of the AN-SRR-12, and -13, and check for presence of line voltage between pins B and C of the power cable. If line voltage is not present on the power cable then the fault lies in the incoming line. Turn power off and check continuity of the power cable until trouble is found. If line voltage is present on the power cable, then the fault lies in the filter assembly. Remove the filter assembly and check continuity of Z1702 and associated leads of the AN/SRR-11, and Z1802 of the AN/SRR-12. If the filters Z1702 or Z1802 are not continuous, emergency operating conditions can be met by bypassing this filter with jumper leads, otherwise replace the filter. To bypass the power line filters Z1702 or Z1802, connect the proper jacks as follows:

- (a) J1704B to J1709B and J1704C to J1709C.
- (b) or J1804B to J1809B and J1804C to J1809C.

(2) Check for presence of a-c line voltage between pins P and N of J263 of the AN/SRR-11, J463 of the AN/SRR-12, or J663 of the AN/SRR-13.

If line voltage is present here, the trouble lies in the power transformer (T1601) primary (pins 1, 2,

3, 4, or 6) or secondary circuits (pins 10 to 14). Check the voltage at these points: if they are normal then check the filament lines, starting at pins V and ground of J263, J463, or J663, depending on receiver type, and checking voltage at each connector listed on the schematic diagram. Locations of these connectors are shown in figure 7-1 (sheets 1 and 2).

If line voltage is not present at pins P and N of J263, J463, or J663, depending on receiver type, the trouble lies in the interconnecting lines between these points or the filter assembly. Check voltages at each of the connectors and terminals shown on the schematic diagram starting from P and N of J263, J463, or J663 until the fault is found. See figure 7-1 (sheets 1 and 2) for location of these jacks and terminals.

b. D-C POWER SUPPLY.—(Dial light glowing, pilot light not glowing.) After the pilot light lamp, and the tubes V1601, V1602, have been eliminated as a possible source of trouble as explained in paragraph 2b, measure the d-c voltage between terminal D of J263, J463, or J663 depending on the receiver type, and ground.

(1) If voltage does exist at this point, the trouble is then localized to the interconnecting lines. Start at terminal D and check voltage on the interconnecting lines at the successive terminals shown on the appro-

appropriate schematic diagrams until the faulty connection is found.

(2) If voltage does not exist at this point the trouble is in the power supply assembly. Check voltage and resistance of V1601, V1602, the filter networks, and transformer T1601 (Refer to Table 7-4).

c. AUDIO.—(No phone output, OUTPUT meter not indicating and TUNING meter indicating when receiver is tuned as per paragraph 2d.) Remove the cover from the audio assembly and take the stage gain measurements listed in Table 7-3. If the audio system is not operating properly on just one or a few positions of the RECEPTION control, take only the measurements corresponding to that or those particular positions. Once an abnormal reading is found replace the plug-in unit associated with that stage. If this does not correct the trouble then the fault lies in the interconnecting lines between the plug-in unit and its external associated parts. Check voltage and resistance values at the tube socket in that particular stage (normal values are given in Table 7-4). If an abnormal voltage appears, check the appropriate chassis interconnections which could logically cause the trouble. For example if no voltage appears at the plate of a tube and this voltage should be 80 volts d-c, it is obvious that the B+ lead is opened or shorted somewhere along the lines. Probable place for these to be shorted or opened is at any connectors or terminals through which they may pass. It then remains to check the voltage and/or resistance at each of these jacks or terminals until the cause is found. Refer to the appropriate schematic diagram and figure 7-1 (sheets 1 and 2) for the location of these jacks and terminals.

d. I-F AND R-F SYSTEMS.—(No phone output, no indication on OUTPUT meter or TUNING meter when receiver is tuned as per paragraph 2d.) The following procedure listed in paragraphs (1) to (5) constitute a check on the operation of the second i-f assembly to eliminate or localize this as a possible cause of trouble. Remove the cover from the second i-f assembly and connect a signal generator such as item 3 of Table 7-1 directly to J1001B (see figure 7-1 for location of this jack) and proceed as follows: Set the OUTPUT, GAIN, and DIVERSITY GAIN BAL controls to maximum and the Silencer control to minimum.

(1) A1 SIGNALS.

(a) Set the RECEPTION control to A1 BROAD.

(b) Set the signal generator to have an unmodulated output at a frequency of 200 kc.

(c) Adjust the BFO to produce a 1-kc beat note. See the note in paragraph 4d for instructions on how to make this adjustment.

(d) Set the signal generator output level to obtain a 0 db reading on the OUTPUT meter.

(e) Check the signal generator output level. It should be $15 \mu\text{v}$ ($\pm 30\%$). Note this reading and go on to step f of this procedure.

(f) Set the RECEPTION control to A1 SHARP.

(g) Set the signal generator output level to obtain a 0 db reading on the OUTPUT meter.

(h) Check the signal generator output level. It should be $15 \mu\text{v}$ ($\pm 30\%$). Note this reading and go on to paragraph (2) of these procedures.

(2) ^{A1 MEDIUM}~~A3 SIGNALS.~~

~~(a) Set the RECEPTION control to A3.~~

~~(b) Set the signal generator to have an output frequency of 200 kc at 30% modulation.~~

~~(c) Set the signal generator output level to obtain a 0 db reading on the OUTPUT meter.~~

~~(d) Check the signal generator output level. It should be $25 \mu\text{v}$ ($\pm 30\%$). Note this reading and proceed to paragraph (3) of these procedures.~~

(3) A3 SIGNALS (AN/SRR-12 and -13 only).

(a) Set the reception control to A3 SHARP.

(b) Leaving the signal generator frequency and modulation as set up in paragraph (2), set the signal generator output level to obtain a 0 db reading on the OUTPUT meter.

(c) Check the output level of the signal generator. It should be $25 \mu\text{v}$ ($\pm 30\%$). Note this reading and proceed to step (d).

(d) Set the reception control to A3 BROAD.

(e) Set the signal generator output level to obtain a 0 db reading on the OUTPUT meter.

(f) Check the signal generator output level. It should be $38 \mu\text{v}$ ($\pm 30\%$). Note this reading and proceed with paragraph (4) of these procedures.

(4) F1 SIGNALS.

(a) Set the RECEPTION control to FSK.

(b) Set the signal generator to have an unmodulated output at a frequency of 200 kc.

(c) Set the BFO to produce a 1-kc beat note. See the note in paragraph 4d for instructions on how to make this adjustment.

(d) Set the signal generator output level to obtain a 0 db reading on the OUTPUT meter.

(e) Check the signal generator output level. It should read $15 \mu\text{v}$ ($\pm 30\%$) on the AN/SRR-11, and

22 μ v ($\pm 30\%$) on the AN/SRR-12 and AN/SRR-13. Note this reading then go on to paragraph (5) of these procedures.

(5) CONCLUSION.—If the readings obtained in all of the above steps are normal, the second i-f is then eliminated as a possible cause of trouble. The trouble is now localized to the antenna, r-f, mixer, local oscillator, or first i-f assemblies and their interconnections. Insert the cover back on to the second i-f assembly, and see paragraph *e* for further procedures.

If the readings obtained in the above steps (*a*) to (*d*) are abnormal, then take the stage gain measurements listed in Table 7-3 for the second i-f. If the readings are abnormal on one or a few positions of the RECEPTION control take only the stage gain measurements pertaining to that particular position. Once a faulty reading is found replace the plug-in unit associated with that stage. If this does not correct the trouble then the fault lies in the interconnecting lines between that plug-in unit and its external associated components. Check voltage and resistance at the tube socket in that particular stage (normal values are given in Table 7-4). If an abnormal voltage appears, trace the assembly and chassis interconnections which could logically cause the trouble. For example if no voltage appears at the plate of a tube and this voltage should be 80 volts d-c, it is obvious that the B+ lead is opened or shorted somewhere along the lines. Probable place for this to be shorted or opened is at jacks or terminals through which it may pass. It then remains to check the voltage and/or resistance at each of these jacks or terminals until the cause is found. Refer to the appropriate schematic diagram and figure 7-1 (sheets 1 and 2) for the location of these jacks and terminals.

e. R-F SYSTEM.—(No phone output, OUTPUT meter not indicating, TUNING meter not indicating when receiver is tuned on all positions of the RECEPTION control and second i-f has been eliminated as possible cause of trouble by procedures contained in paragraph 3*d*.) The following procedure given in paragraphs (1) to (7) is a method of localizing the trouble to the filter, antenna, r-f, mixer, oscillator, or first i-f assemblies, and their interconnecting lines.

(1) Connect a signal generator, such as item 3 of Table 7-1, to E152 of the AN/SRR-11, E352 of the AN/SRR-12, or E552 of the AN/SRR-13 of the mixer assembly. These terminals protrude from the bottom of the assembly and are connected to the tuning capacitor through metal straps. The assembly cover will not have to be removed, but make certain to

connect to the right terminal. (See figure 7-1, sheet 2, for location of this terminal).

(2) Set the RECEPTION control to A1 SHARP and adjust the BFO for a beat note of 1 kc. See the note in paragraph 4*d* for instructions on adjusting the BFO for a 1-kc beat note.

(3) Set the signal generator to have an unmodulated output at a frequency of 30 kc on the AN/SRR-11, 0.5 mc on the AN/SRR-12, and 4 mc on the AN/SRR-13.

(4) Set the band selector to band I and the tuning dial to correspond to the signal generator frequency.

(5) Set the signal generator output level to obtain a 0-db reading on the OUTPUT meter.

(6) Check the signal generator output level. This should be 120 μ v. Note this reading and see step (7) for further procedures.

(7) If the signal generator output level required to produce 0 db on the output meter is within 30% of 120 μ v, the trouble can then be assumed to lie in the filter, antenna, or r-f assembly and the interconnections associated with these assemblies.

(8) If the signal generator output level required to produce 0 db on the output meter is not within 30% of 120 μ v, the trouble can be assumed to lie in the mixer, oscillator, or first i-f assembly, and the interconnections associated with these assemblies.

Measure the gain of the suspected stages. Once an abnormal stage gain measurement is found, replace the stage. If this does not correct the trouble, then the fault lies in the interconnecting lines between that stage and its external associated components. Check voltage and resistance at the tube socket in that particular stage (normal values are given in Table 7-4). If an abnormal voltage appears, check the assembly and appropriate chassis interconnections which could logically cause the trouble. For example, if no voltage appears at the plate of a tube and this voltage should be 80 volts d-c, it is obvious that the B+ lead is opened or shorted somewhere along the lines. Probable places for these to be shorted or opened are at any connectors through which it may pass. It then remains to check the voltage at each of these connectors until the cause is found. Refer to the appropriate schematic diagram and figure 7-1 (sheets 1 and 2) for the location of these jacks and terminals.

f. CRYSTAL CALIBRATOR.—(Receiver operates properly but crystal calibrator beat notes can not be obtained when attempting to align the tuning dial as per paragraph 2*b*). The trouble lies either in the

crystal calibrator stages Z1401, Z1402 of the AN/SRR-11, Z1501, Z1502 of the AN/SRR-12, or Z1201, Z1202 of the AN/SRR-13, or in their associated interconnections and parts. Replace each of these stages. If this fails to correct the trouble, then the fault can be assumed to be in the interconnections and external parts associated with the stage. Replace the crystal (Y1401 of the AN/SRR-11, Y1501 of the AN/SRR-12, or Y1201 of the AN/SRR-13). If this fails to restore operation, check voltage and resistance at the tube socket of the crystal calibrator stages (normal values are given in Table 7-4). If an abnormal voltage appears, check the assembly and appropriate chassis interconnections which could logically cause the trouble. For example if no voltage appears at the plate of a tube and this voltage should be 80 volts d-c, it is obvious that the B+ lead is opened or shorted somewhere along the lines. Probable place for these to be shorted or opened is at any jacks or terminals through which it may pass. It then remains to check the voltage at each of these jacks or terminals until the cause is found. Refer to the appropriate schematic diagram and figure 7-1 (sheets 1 and 2) for the location of these jacks and terminals.

g. BFO.—(No phone output, OUTPUT meter not indicating, TUNING meter active when receiver is tuned on A1 BROAD, A1 SHARP, and FSK positions of the RECEPTION control as per paragraph 2i). The first step is to localize the trouble to the BFO (V1301) or the BFO mixer (V1004) and their associated parts and interconnections. Follow the procedure given in steps (1) to (6) to accomplish this.

(1) Remove the BFO cover, and connect a signal generator similar to item 3 of Table 7-1, directly to J1301B. (Refer to figure 7-1.)

(2) Set the signal generator to have a 1 v output level at 201 kc.

(3) Set the reception control to A1 SHARP.

(4) Tune in a signal as would be indicated on the TUNING meter.

(5) Check the OUTPUT meter and phones for presence of a 1-kc beat note.

(6) If a 1-kc beat note is obtained and is of appreciable amplitude, then trouble can be assumed to lie within the BFO stage (Z1302) and associated interconnections and parts. If a 1-kc beat note is not obtained or is weak, then trouble can be assumed to lie in the BFO-MIXER (Z1010) and its associated interconnections and parts.

Replace the plug-in unit associated with the suspected stage. If this does not correct the trouble,

then the fault lies in the interconnecting lines between that stage and its external associated components. Check voltage and resistance at the tube socket in that particular stage (normal values are given in Table 7-4). If an abnormal voltage appears, check the assembly and appropriate chassis interconnections which could logically cause the trouble. For example if no voltage appears at the plate of a tube and this voltage should be 80 volts d-c, it is obvious that the B+ lead is opened or shorted somewhere along the lines. Probable place for these to be shorted or opened is at any jacks or terminals through which it may pass. It then remains to check the voltage at each of these jacks or terminals until the cause is found. Refer to the appropriate schematic diagram and figure 7-1 (sheets 1 and 2) for the location of these jacks and terminals.

b. NOISE PEAK LIMITER, DIODE DETECTOR, AND TUNING INDICATOR.—(No phone output, erratic phone output, TUNING indicator does not register.) With the RECEPTION control at A2, feed a 200-kilocycle signal from an r-f signal generator (similar to item 3 of Table 7-1) through a 0.01- μ f isolation capacitor (isolation accessory supplied with AN/URM-25) to V1003-5. Modulate the 200-kilocycle signal with a 1000-cycle tone at 30%, and adjust the signal generator output until the TUNING METER reads half scale on the HIGH position of the HIGH-LOW switch.

(1) If there is no other indication of output or if the output is erratic, check V1005 and V1101.

(2) When the TUNING indicator does not register, check voltage and resistance of V1003, and inspect Z1011 for a possible short. If Z1011 is replaced, the spare unit will have to be aligned at 200 kc. See paragraph 14b of this section.

(3) If output is obtained but the TUNING meter does not register, check the TUNING indicator circuit, Z1009 in AN/SRR-12 and -13 and the HIGH-LOW switch circuit.

i. CHECKING AGC CIRCUITS (AN/SRR-12 AND -13 ONLY). Refer to figure 2-3. The AGC circuit is active when the RECEPTION control is at A3.

(1) Feed an r-f signal from a signal generator to the ANT receptacle of an AN/SRR-12 or -13 receiver. Modulate the r-f signal with a 1000-cycle tone at 30 percent.

(2) Tune the signal generator to any frequency within the tuning range of the receiver being checked, and resonate the receiver to this frequency. Set the RECEPTION control at A3 BROAD.

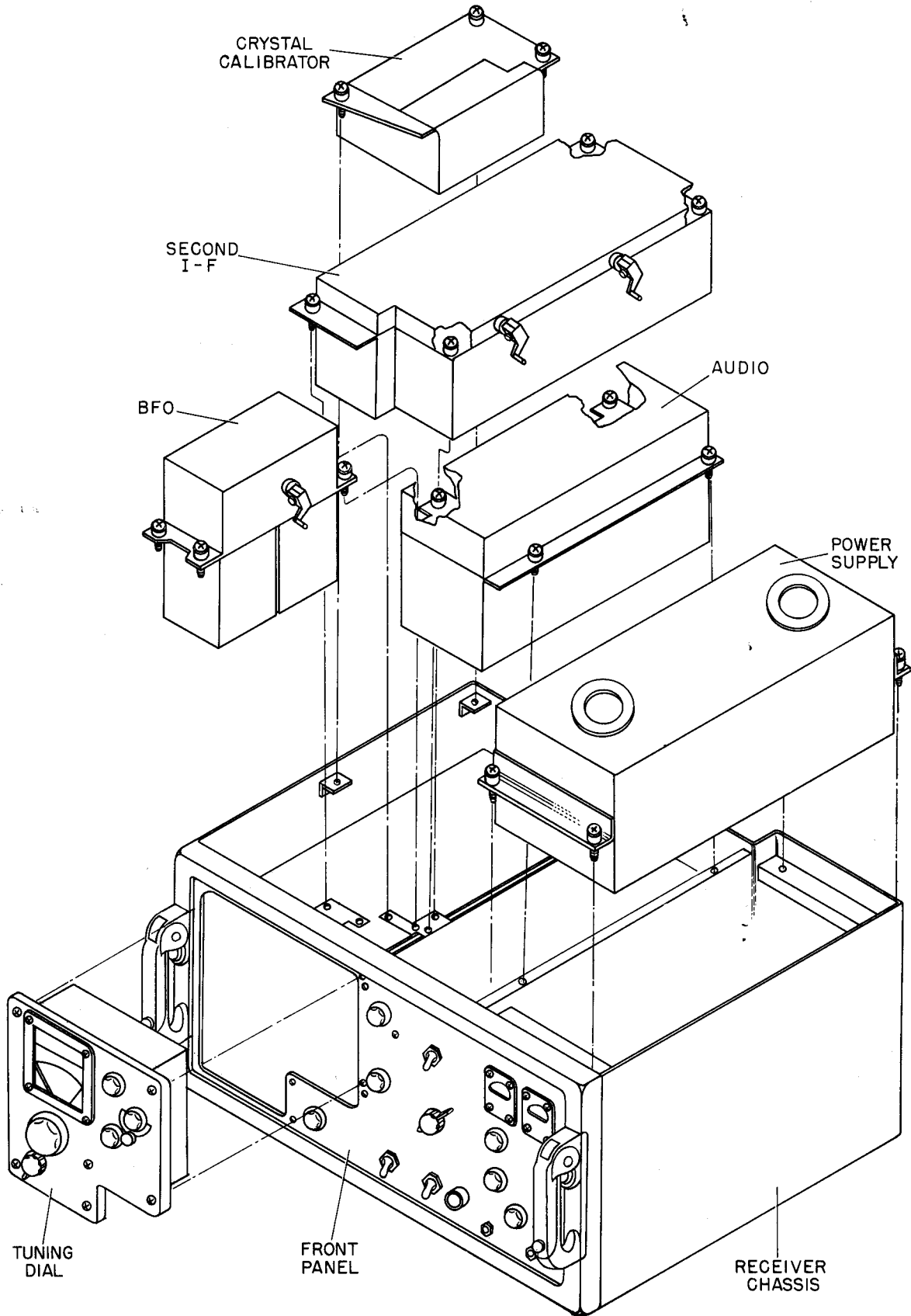


Figure 7-3. Removing and Replacing Assemblies on Top Side of Chassis

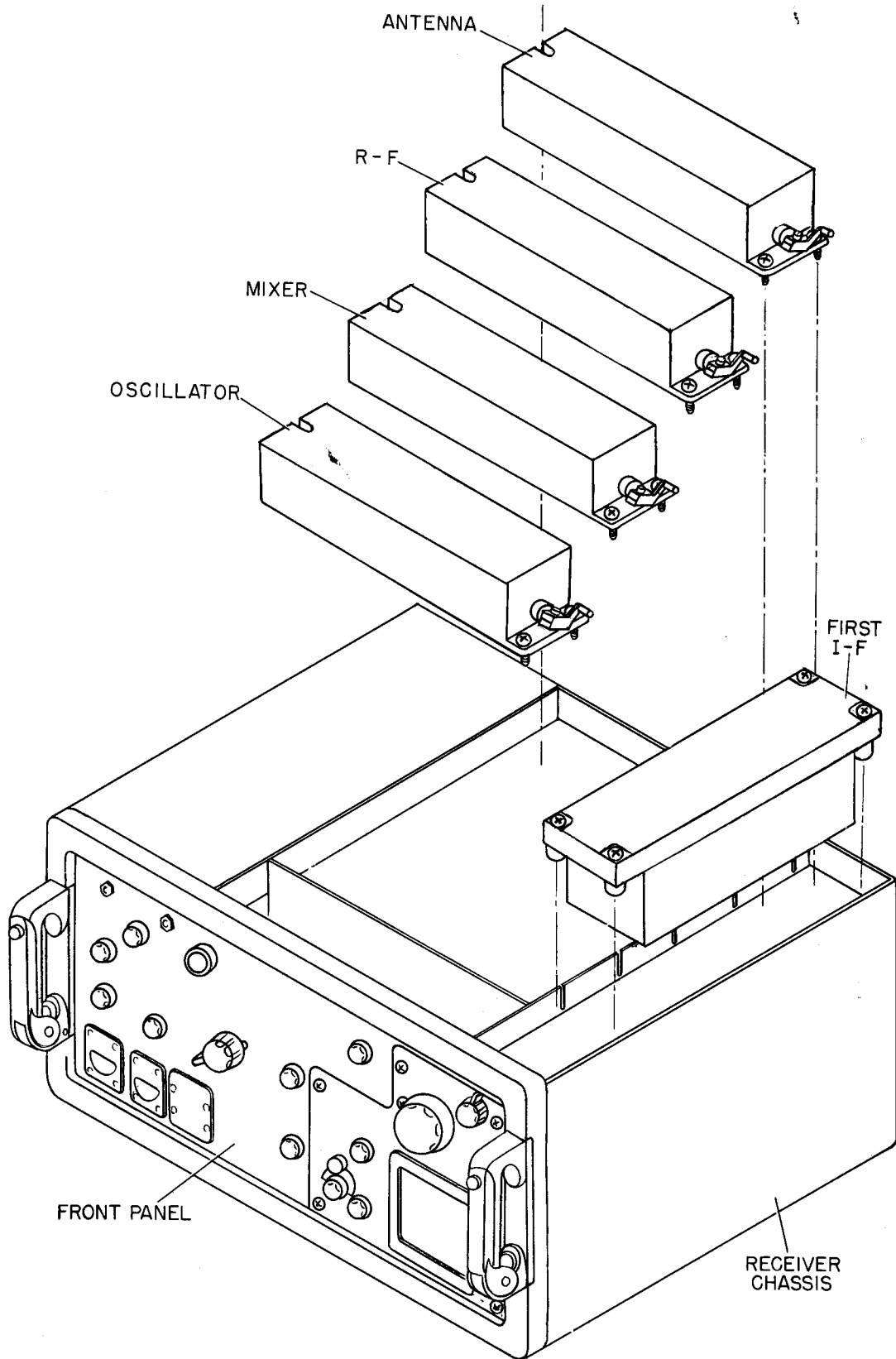


Figure 7-4. Removing and Replacing Assemblies on Bottom Side of Chassis
(AN/SRR-11)

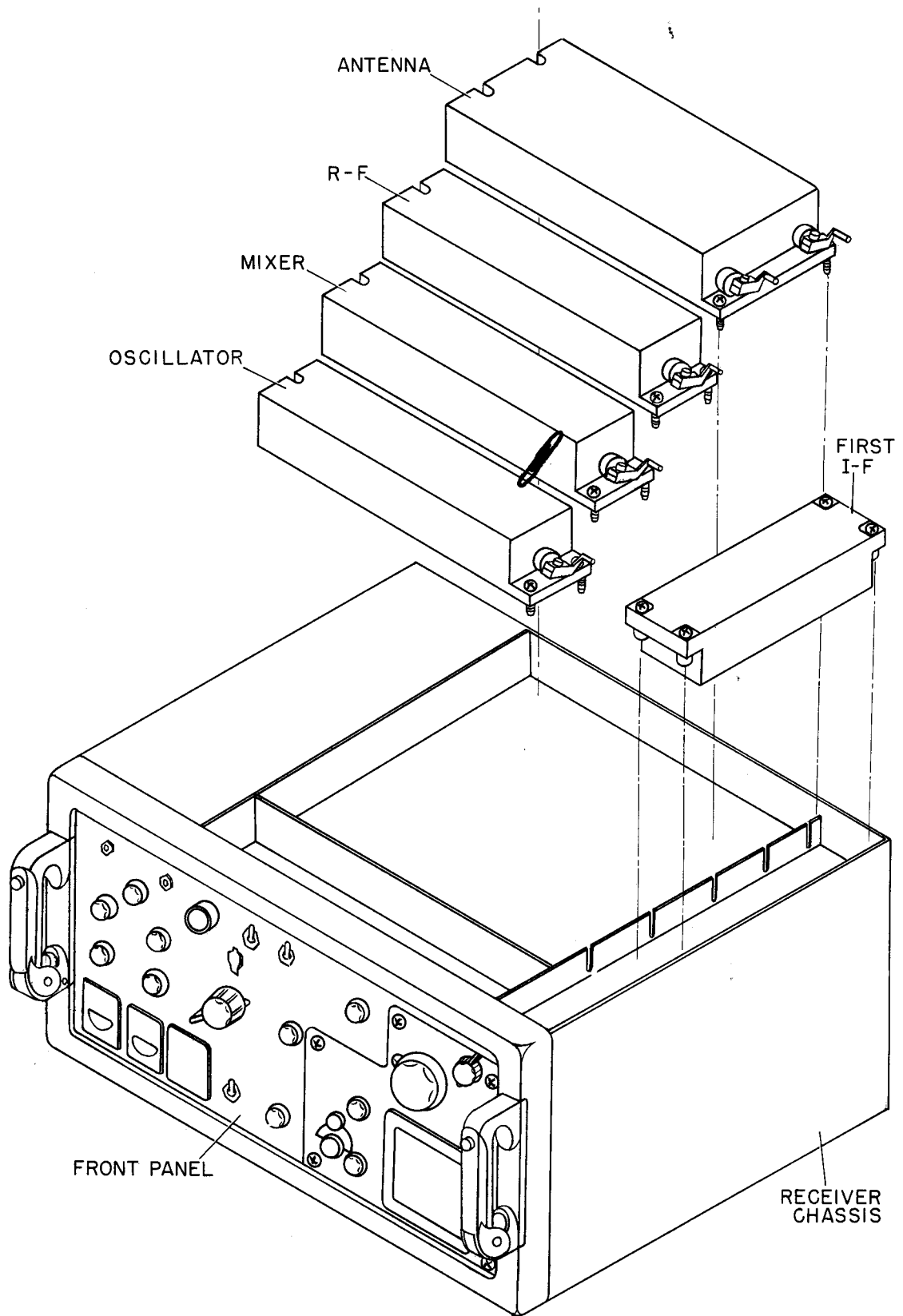


Figure 7-5. Removing and Replacing Assemblies on Bottom Side of Chassis
(AN/SRR-12 and -13)

(3) Set the generator output to 10 μ v, and adjust the OUTPUT control until the OUTPUT meter reads 0 db. The SILENCER must be off (fully counter-clockwise).

(4) When the generator output is increased to 10,000 μ v, the OUTPUT meter reading should not increase by more than 4 db.

4. STAGE GAIN MEASUREMENTS.

Stage gain measurements are listed in Table 7-3. The measurements should be taken as called for in paragraph 2 or 3 of this section. If a measured stage gain does not agree to within approximately 30% of the value given in Table 7-3, then replace the stage. If this fails to correct the trouble, then take voltage and resistance measurements of the stage and associated components to locate the trouble. To measure stage gain, refer to the appropriate portion of Table 7-3 and to figure 7-2, which shows the test set-up, and proceed as follows:

a. Refer to figure 7-2 and connect a signal generator or audio oscillator as called for in Table 7-3 to the point designated as input location on that Table (location of points for test equipment connection on the receiver is shown in figure 7-1, sheets 1 and 2).

b. Set band selector, tuning dial, and RECEPTION CONTROL as specified in Table 7-3.

c. Unless otherwise stated in Table 7-3, set the OUTPUT GAIN, and DIVERSITY GAIN BAL controls to maximum, and the SILENCER control to minimum.

d. Set the signal generator to the frequency and output modulated or unmodulated as called for in Table 7-3.

NOTE

When Table 7-3 calls for the BFO to be adjusted for a 1-kc beat note, proceed as follows to accomplish this.

- (1) Set the RECEPTION control to A1 SHARP.
- (2) Adjust the signal generator output to produce a maximum indication on the TUNING meter.
- (3) Adjust the FREQ. VERNIER control to produce a maximum indication as seen on the OUTPUT meter or heard on the phones.

e. If the OUTPUT LOCATION, as called for in Table 7-3, is designated by "J" numbers, "V" numbers, or "Z" numbers connect a voltmeter, as called for in that table, to the specified location.

f. Set the signal generator output level to obtain the reading given as OUTPUT LEVEL in Table 7-3. This reading is indicated on either the OUTPUT meter (OM on Table 7-3) or on the voltmeter connected in step e.

g. Compare the signal generator r-f output level (as indicated on the signal generator) to the INPUT LEVEL value given in Table 7-3. If these two values do not agree to within 30% then consider the stage faulty and replace.

TABLE 7-3. STAGE GAIN MEASUREMENTS

Refer to Figure 7-1 (sheets 1 and 2) to locate items listed in column headed INPUT LOCATION.

A-F System

Reception: A1 BROAD, FSK

UNIT	FREQUENCY CPS	INPUT		OUTPUT		REMARKS
		LOCATION	LEVEL VOLTS	LEVEL	LOCATION	
A.F.	1000	Z1109-A	1.5	0 db (6 mw)	O.M. (M252, M452 or M652)	
	1000	Z1108-A	0.6	0 db (6 mw)	O.M.	
	1000	Z1107-E	0.6	0 db (6 mw)	O.M.	
	1000	Z1106-E	0.6	0 db (6 mw)	O.M.	
	1000	Z1105-A	0.05	0 db (6 mw)	O.M.	
	1000	Z1103-F	0.05	0 db (6 mw)	O.M.	
	1000	Z1104-H	0.055	0 db (6 mw)	O.M.	
	1000	Z1102-J	0.25	0 db (6 mw)	O.M.	
	1000	Z1102-A	0.017	0 db (6 mw)	O.M.	

NOTE.

Use a 0.47- μ f capacitor in series with an audio oscillator similar to item 4 of Table 7-1.

TABLE 7-3. STAGE GAIN MEASUREMENTS— (Continued)
Refer to Figure 7-1 (sheets 1 and 2) to locate items listed in column headed INPUT LOCATION.

A-F System

Reception: A1 SHARP

All stage measurements similar to A1 BROAD Reception with the following exceptions:

UNIT	FREQUENCY CPS	INPUT		OUTPUT		REMARKS
		LOCATION	LEVEL VOLTS	LEVEL	LOCATION	
A.F.	1000	Z1102-J	0.2	0 db (6 mw)	O.M. (M252, M452, or M652)	
	1000	A	0.016	0 db (6 mw)	O.M.	

NOTES.

1. The frequency of the oscillator must be very accurate to take the above measurements.
2. Use a 0.47- μ f capacitor in series with an audio oscillator similar to item 4 of Table 7-1.

A1 MEDIUM

Reception: ~~A2~~, A3

All stage measurements similar to A-1 BROAD Reception except that following should also be checked:

A.F.	100	Z1101-F	0.8	0 db (6 mw)	O.M. (M252, M452, or M652)
------	-----	---------	-----	-------------	-------------------------------

NOTE.

Use a 0.47- μ f capacitor in series with an audio oscillator similar to item 4 of Table 7-1.

I-F System

Reception: A1 BROAD, A1 SHARP, also FSK of AN/SRR-11

Input Signal: 200 kc unmodulated with BFO frequency adjusted for a 1-kc beat note

UNIT	FREQUENCY KC	INPUT		OUTPUT		REMARKS
		LOCATION	LEVEL μ VOLTS	LEVEL	LOCATION	
Second IF	1	Z1010-J	*0.4	0 db (6 mw)	O.M. (M252, M452, or M652)	Use audio oscillator (item 4 of Table 7-1)
	200	Z1014-A				
		Z1010-A	*0.55	0 db (6 mw)	O.M.	
		Z1008-J				
	200	Z1008-A	43,000	0 db (6 mw)	O.M.	
	200	Z1006-J	8,000	0 db (6 mw)	O.M.	
	200	Z1006-A	650	0 db (6 mw)	O.M.	
	200	Z1004-J	180	0 db (6 mw)	O.M.	
	200	Z1004-A	20	0 db (6 mw)	O.M.	
200	J1001-B	15	0 db (6 mw)	O.M.		

* Values given in volts.

NOTES.

1. For measurement at 1 kc, use 0.47- μ f capacitor in series with audio oscillator.
2. For measurements at 200 kc, use a 0.1- μ f capacitor connected in series with an r-f signal generator similar to item 3 of Table 7-1.

TABLE 7-3. STAGE GAIN MEASUREMENTS—(Continued)

Refer to Figure 7-1 (sheets 1 and 2) to locate items listed in column headed INPUT LOCATION.

I-F System: *A1 MEDIUM*
 Reception: *A2, A3 SHARP*
 Input Signal: 200 kc, 30% modulated at 1000 cps

UNIT	FREQUENCY KC	INPUT		OUTPUT		REMARKS
		LOCATION	LEVEL μ VOLTS	LEVEL	LOCATION	
Second IF	1	Z1012-E	*0.80	0 db (6 mw)	(M252, M452, or M652)	Use audio oscillator (item 4 of Table 7-1) Use electronic tube multi-meter similar to item 2 of Table 7-1
	200	Z1012-F	*1.4	0 db (6 mw)	O.M.	
	200	Z1012-F Z1009-2	*1.4	20 μ A	T.M. (M251, M451, or M651) HI Sensitivity)	
	200	Z1008-J Z1014-A Z1010-A	*1.2	0 db (6 mw)	O.M.	
	200	Z1008-A	*0.10	0 db (6 mw)	O.M.	
	200	Z1008-A	*0.1	2 VDC	Z1012-E	
	200	Z1006-J	20,000	0 db (6 mw)	O.M.	
	200	Z1006-A	1600	0 db (6 mw)	O.M.	
	200	Z1004-J	500	0 db (6 mw)	O.M.	
	200	Z1004-A	46	0 db (6 mw)	O.M.	
	200	J1001-B	25	0 db (6 mw)	O.M.	

* Values given in volts.

NOTES.

- For measurement at a frequency of 1 kc use a 0.47- μ f capacitor in series with the audio oscillator.
- For measurements at a frequency of 200 kc use a 0.1- μ f capacitor connected in series with an r-f signal generator similar to item 3 of Table 7-1.

I-F System
 Reception: **A3 BROAD**
 Input Signal: 200 kc, 30% modulated at 1000 cps

All stage measurements similar to A3 SHARP Reception with the following exceptions:

UNIT	FREQUENCY KC	INPUT		OUTPUT		REMARKS
		LOCATION	LEVEL μ VOLTS	LEVEL	LOCATION	
Second IF	200	J1001-B	38	0 db (6 mw)	O.M. (M652)	

NOTE.

Use a 0.1- μ f capacitor connected in series with an r-f signal generator similar to item 3 of Table 7-1.

TABLE 7-3. STAGE GAIN MEASUREMENTS—(Continued)

Refer to Figure 7-1 (sheets 1 and 2) to locate items listed in column headed INPUT LOCATION.
I-F System, AN/SRR-12 and -13 only. See page 7- for stage gain measurements for FSK of AN/SRR-11
Reception Signal: FSK
Input Signal: 200 kc, 30% modulation at 1000 cps

UNIT	FREQUENCY KC	INPUT		OUTPUT		REMARKS
		LOCATION	LEVEL μ VOLTS	LEVEL	LOCATION	
Second IF	1	Z1012-E	*1.2	0 db (6 mw)	O.M. (M252, M452 or M652)	Use audio oscillator (item 4 of Table 7-1) Use electronic tube multi-meter similar to item 2 of Table 7-1
	200	Z1012-F	*2.1	0 db (6 mw)	O.M.	
	200	Z1012-F Z1009-2	*2.1	20μA	T.M. (M251, M451 or M651) HI Sensitivity	
	200	Z1008-J Z1014-A Z1010-A	*1.8	0 db (6 mw)	O.M.	
	200	Z1008-A	*0.15	0 db (6 mw)	O.M.	
	200	Z1008-A	*0.15	2 VDC	Z1012-E	
	200	Z1006-J	30,000	0 db (6 mw)	O.M.	
	200	Z1006-A	2400	0 db (6 mw)	O.M.	
	200	Z1004-J	750	0 db (6 mw)	O.M.	
	200	Z1004-A	46	0 db (6 mw)	O.M.	
	200	J1001-B	25	0 db (6 mw)	O.M.	

* Values given in volts.

NOTES.

1. For measurements at a frequency of 1 kc use a 0.47-μf capacitor in series with the audio oscillator.
2. For measurements at a frequency of 200 kc, use a 0.1-μf capacitor connected in series with an r-f signal generator similar to item 3 of Table 7-1.

I-F System, AN/SRR-11

Reception: A1 SHARP BANDS 1 AND 4

Input Signal: Unmodulated with BFO frequency adjusted for a 1-kc beat note

UNIT	FREQUENCY KC	INPUT		OUTPUT	
		LOCATION	LEVEL μ VOLTS*	LEVEL	LOCATION
First IF	200	Z701-A	2870	0 db (6 mw)	O.M. (M252)
	60	Z701-A	950	0 db (6 mw)	O.M.
	60	J701-B	18,000	0 db (6 mw)	O.M.
	60	V151-1 (mixer)	100	0 db (6 mw)	O.M.

* R-F voltage measured with electronic multimeter and r-f probe (item 2 of Table 7-1).

NOTE.

Use a 0.1-μf capacitor in series with an r-f signal generator similar to item 3 of Table 7-1.

TABLE 7-3. STAGE GAIN MEASUREMENTS— (Continued)

Refer to Figure 7-1 (sheets 1 and 2) to locate items listed in column headed INPUT LOCATION.

I-F System, AN/SRR-12

Reception: A1 SHARP BANDS 4 AND 5

Input Signal: Unmodulated with BFO frequency adjusted for a 1-kc beat note

UNIT	FREQUENCY KC	INPUT		OUTPUT	
		LOCATION	LEVEL μ VOLTS	LEVEL	LOCATION
First IF	200	Z801-A	10	0 db (6 mw)	O.M. (M452)
	1600	Z801-A	12	0 db (6 mw)	O.M.
	1600	J801-B	40	0 db (6 mw)	O.M.
	1600	V351-1 (mixer)	3.5	0 db (6 mw)	O.M.

I-F System, AN/SRR-13

Reception: A1 SHARP

Input Signal: Unmodulated with BFO frequency adjusted for a 1-kc beat note

First IF	200	Z901-A	10	6 mw	O.M. (M652)
	1600	Z901-A	12	6 mw	O.M.
	1600	J901-B	40	0 db (6 mw)	O.M.
	1600	V551-1 (mixer)	3.5	0 db (6 mw)	O.M.

NOTE.Use a 0.1- μ f capacitor in series with an r-f signal generator similar to item 3 of Table 7-1.

TABLE 7-3. STAGE GAIN MEASUREMENTS—(Continued)

Refer to Figure 7-1 (sheets 1 and 2) to locate items listed in column headed INPUT LOCATION.

R-F System, AN/SRR-11

Reception: A1 BROAD

Gain: With no signal input connected to the receiver, set the GAIN control to obtain a -10 db noise output level as indicated on the OUTPUT meter. Place the ADD DECIBELS switch in the -10 position to obtain this reading

Input Signal: Unmodulated with the BFO frequency adjusted for an a-f output of 1 kc

BAND 1		DIAL SETTING 14 KC			
UNIT	FREQUENCY KC	INPUT		OUTPUT	
		LOCATION	LEVEL μ VOLTS*	LEVEL	LOCATION
Mixer	60	E152 (GANG)	65	(0 db) 6 mw	O.M. (M252)
	14	E152 (GANG)	135	(0 db) 6 mw	O.M.
RF	—	—	—	4.5**	V151-4
	14	E127 (GANG)	44	(0 db) 6 mw	O.M.
Antenna	14	E102 or V101-1	2.4	(0 db) 6 mw	O.M.
	14	J102-N	0.95	(0 db) 6 mw	O.M.
Filter	14	J1707	3.2	(0 db) 6 mw	O.M.
Oscillator	—	—	—	7.5**	E202
	—	—	—	9.0**	J202K
	—	—	—	6.0**	J202L
	—	—	—	6.0**	V201-5
	—	—	—	9.0**	V201-1

* R-f voltage measured with electronic multimeter and r-f probe (item 2 of Table 7-1).

** R-f voltage measured with electronic multimeter and r-f probe (item 2 of Table 7-1). Values given in volts.

NOTES.

1. For all measurements, use an r-f signal generator similar to item 3 of Table 7-1.
2. Use a 0.1-μf capacitor connected in series with the signal generator on all measurements except "Antenna", in which case use Antenna Simulator SM-35/URM-25 connected in series with the signal generator.
3. Output level readings taken with the ADD DECIBELS switch in the 0 position.
4. All measurements made with chassis pulled out and test cable connected.
5. Antenna links in high-impedance position.

TABLE 7-3. STAGE GAIN MEASUREMENTS—(Continued)

Refer to Figure 7-1 (sheets 1 and 2) to locate items listed in column headed INPUT LOCATION.

R-F System, AN/SRR-11

Reception: A1 BROAD

Gain: With no signal input connected to the receiver, set the GAIN control to obtain a -10 db noise output level as indicated on the OUTPUT meter. Place the ADD DECIBELS switch in the -10 position to obtain this reading

Input Signal: Unmodulated with the BFO frequency adjusted for an a-f output of 1 kc

BAND 1		DIAL SETTING 29 KC			
UNIT	FREQUENCY KC	INPUT		OUTPUT	
		LOCATION	LEVEL μ VOLTS*	LEVEL	LOCATION
Mixer	60	E152 (GANG)	145	(0 db) 6 mw	O.M. (M252)
	29	E152 (GANG)	500	(0 db) 6 mw 4.5**	O.M. V151-4
RF Antenna	29	E127 (GANG)	130	(0 db) 6 mw	O.M.
	29	E102	36	(0 db) 6 mw	O.M.
Filter	29	J102-N	9	(0 db) 6 mw	O.M.
	29	J1707	2	(0 db) 6 mw	O.M.
Oscillator	—	—	—	10.0**	E202
	—	—	—	9.5**	J202-K
	—	—	—	9.5**	J202-L
	—	—	—	6.0**	V201-5
				9.0**	V201-1

* R-f voltage measured with electronic multimeter and r-f probe (item 2 of Table 7-1).

** R-f voltage measured with electronic multimeter and r-f probe (item 2 of Table 7-1). Values given in volts.

NOTES.

1. For all measurements, use an r-f signal generator similar to item 3 of Table 7-1.
2. Use a 0.1- μ f capacitor connected in series with the signal generator on all measurements except "Antenna", in which case use Antenna Simulator SM-35/URM-25 connected in series with the signal generator.
3. Output level readings taken with the ADD DECIBELS switch in the 0 position.
4. All measurements made with chassis pulled out and test cable connected.
5. Antenna links in high-impedance position.

TABLE 7-3. STAGE GAIN MEASUREMENTS—(Continued)

Refer to Figure 7-1 (sheets 1 and 2) to locate items listed in column headed INPUT LOCATION.

R-F System, AN/SRR-11

Reception: A1 BROAD

Gain: With no signal input connected to the receiver, set the GAIN control to obtain a -10 db noise output level as indicated on the OUTPUT meter. Place the ADD DECIBELS switch in the -10 position to obtain this reading

Input Signal: Unmodulated with the BFO frequency adjusted for an a-f output of 1 kc

BAND 2		DIAL SETTING 30 KC			
UNIT	FREQUENCY KC	INPUT		OUTPUT	
		LOCATION	LEVEL μ VOLTS*	LEVEL	LOCATION
Mixer	200	E152 (GANG)	380	(0 db) 6 mw	O.M. (M252)
	30	E152 (GANG)	1100	(0 db) 6 mw	O.M.
	—	—	—	4.2**	V151-4
RF	30	E127 (GANG)	240	(0 db) 6 mw	O.M.
Antenna	30	E102	16	(0 db) 6 mw	O.M.
	30	J102-N	3.4	(0 db) 6 mw	O.M.
Filter	30	J1707	2.6	(0 db) 6 mw	O.M.
	—	—	—	9.5**	E202
Oscillator	—	—	—	10.0**	J202-K
	—	—	—	10.0**	J202-L
	—	—	—	4.8**	V201-5
	—	—	—	9.0**	V201-1

* R-f voltage measured with electronic multimeter and r-f probe (item 2 of Table 7-1).

** R-f voltage measured with electronic multimeter and r-f probe (item 2 of Table 7-1). Values given in volts.

NOTES.

1. For all measurements, use an r-f signal generator similar to item 3 of Table 7-1.
2. Use a 0.1- μ f capacitor connected in series with the signal generator on all measurements except "Antenna", in which case use Antenna Simulator SM-35/URM-25 connected in series with the signal generator.
3. Output level readings taken with the ADD DECIBELS switch in the 0 position.
4. All measurements made with chassis pulled out and test cable connected.
5. Antenna links in high-impedance position.

TABLE 7-3. STAGE GAIN MEASUREMENTS—(Continued)

Refer to Figure 7-1 (sheets 1 and 2) to locate items listed in column headed INPUT LOCATION.

R-F System, AN/SRR-11

Reception: A1 BROAD

Gain: With no signal input connected to the receiver, set the GAIN control to obtain a -10 db noise output level as indicated on the OUTPUT meter. Place the ADD DECIBELS switch in the -10 position to obtain this reading

Input Signal: Unmodulated with the BFO frequency adjusted for an a-f output of 1 kc

BAND 2		DIAL SETTING 63 KC			
UNIT	FREQUENCY KC	INPUT		OUTPUT	
		LOCATION	LEVEL μ VOLTS*	LEVEL	LOCATION
Mixer	200	E152 (GANG)	300	(0 db) 6 mw	O.M. (M252)
	63	E152 (GANG)	750	(0 db) 6 mw	O.M.
	—	—	—	4.0**	V151-4
RF	63	E127 (GANG)	90	(0 db) 6 mw	O.M.
Antenna	63	E102	24	(0 db) 6 mw	O.M.
	63	J102-N	5.4	(0 db) 6 mw	O.M.
Filter	63	J1707	2.1	(0 db) 6 mw	O.M.
	—	—	—	3.0**	E202
Oscillator	—	—	—	8.4**	J202-K
	—	—	—	10.5**	J202-L
	—	—	—	4.4**	V201-5
	—	—	—	9.0**	V201-1
	—	—	—	—	—

* R-f voltage measured with electronic multimeter and r-f probe (item 2 of Table 7-1).

** R-f voltage measured with electronic multimeter and r-f probe (item 2 of Table 7-1). Values given in volts.

NOTES.

1. For all measurements, use an r-f signal generator similar to item 3 of Table 7-1.
2. Use a 0.1- μ f capacitor connected in series with the signal generator on all measurements except "Antenna", in which case use Antenna Simulator SM-35/URM-25 connected in series with the signal generator.
3. Output level readings taken with the ADD DECIBELS switch in the 0 position.
4. All measurements made with chassis pulled out and test cable connected.
5. Antenna links in high-impedance position.

TABLE 7-3. STAGE GAIN MEASUREMENTS—(Continued)

Refer to Figure 7-1 (sheets 1 and 2) to locate items listed in column headed INPUT LOCATION.

R-F System, AN/SRR-11

Reception: A1 BROAD

Gain: With no signal input connected to the receiver, set the GAIN control to obtain a -10 db noise output level as indicated on the OUTPUT meter. Place the ADD DECIBELS switch in the -10 position to obtain this reading

Input Signal: Unmodulated with the BFO frequency adjusted for an a-f output of 1 kc

BAND 3		DIAL SETTING 63 KC			
UNIT	FREQUENCY KC	INPUT		OUTPUT	
		LOCATION	LEVEL μ VOLTS*	LEVEL	LOCATION
Mixer	200	E152 (GANG)	135	(0 db) 6 mw	O.M. (M252)
	63	E152 (GANG)	320	(0 db) 6 mw	O.M.
	—	—	—	4.0**	V151-4
RF	63	E127 (GANG)	160	(0 db) 6 mw	O.M.
Antenna	63	E102	12.5	(0 db) 6 mw	O.M.
	63	J102-N	2.5	(0 db) 6 mw	O.M.
Filter	63	J1707	3.2	(0 db) 6 mw	O.M.
Oscillator	—	—	—	15.0**	E202
	—	—	—	12.0**	J202-K
	—	—	—	11.5**	J202-L
	—	—	—	4.5**	V201-5
	—	—	—	9.5**	V201-1

* R-f voltage measured with electronic multimeter and r-f probe (item 2 of Table 7-1).

** R-f voltage measured with electronic multimeter and r-f probe (item 2 of Table 7-1). Values given in volts.

NOTES.

1. For all measurements, use an r-f signal generator similar to item 3 of Table 7-1.
2. Use a 0.1- μ f capacitor connected in series with the signal generator on all measurements except "Antenna", in which case use Antenna Simulator SM-35/URM-25 connected in series with the signal generator.
3. Output level readings taken with the ADD DECIBELS switch in the 0 position.
4. All measurements made with chassis pulled out and test cable connected.
5. Antenna links in high-impedance position.

TABLE 7-3. STAGE GAIN MEASUREMENTS—(Continued)

Refer to Figure 7-1 (sheets 1 and 2) to locate items listed in column headed INPUT LOCATION.

R-F System, AN/SRR-11

Reception: A1 BROAD

Gain: With no signal input connected to the receiver, set the GAIN control to obtain a -10 db noise output level as indicated on the OUTPUT meter. Place the ADD DECIBELS switch in the -10 position to obtain this reading

Input Signal: Unmodulated with the BFO frequency adjusted for an a-f output of 1 kc

BAND 3		DIAL SETTING 133 KC			
UNIT	FREQUENCY KC	INPUT		OUTPUT	
		LOCATION	LEVEL μ VOLTS*	LEVEL	LOCATION
Mixer	200	E152 (GANG)	650	(0 db) 6 mw	O.M. (M252)
	133	E152 (GANG)	420	(0 db) 6 mw	O.M.
	—	—	—	4.0**	V151-4
RF	133	E127 (GANG)	120	(0 db) 6 mw	O.M.
Antenna	133	E102	24	(0 db) 6 mw	O.M.
	133	J102-N	4.4	(0 db) 6 mw	O.M.
Filter	133	J1707	2.1	(0 db) 6 mw	O.M.
Oscillator	—	—	—	37.0**	E202
	—	—	—	12.0**	J202-K
	—	—	—	12.5**	J202-L
	—	—	—	4.0**	V201-5
	—	—	—	10.0**	V201-1

* R-f voltage measured with electronic multimeter and r-f probe (item 2 of Table 7-1).

** R-f voltage measured with electronic multimeter and r-f probe (item 2 of Table 7-1). Values given in volts.

NOTES.

1. For all measurements, use an r-f signal generator similar to item 3 of Table 7-1.
2. Use a 0.1- μ f capacitor connected in series with the signal generator on all measurements except "Antenna", in which case use Antenna Simulator SM-35/URM-25 connected in series with the signal generator.
3. Output level readings taken with the ADD DECIBELS switch in the 0 position.
4. All measurements made with chassis pulled out and test cable connected.
5. Antenna links in high-impedance position.

TABLE 7-3. STAGE GAIN MEASUREMENTS—(Continued)

Refer to Figure 7-1 (sheets 1 and 2) to locate items listed in column headed INPUT LOCATION.

R-F System, AN/SRR-11

Reception: A1 BROAD

Gain: With no signal input connected to the receiver, set the GAIN control to obtain a -10 db noise output level as indicated on the OUTPUT meter. Place the ADD DECIBELS switch in the -10 position to obtain this reading

Input Signal: Unmodulated with the BFO frequency adjusted for an a-f output of 1 kc

BAND 4		DIAL SETTING 133 KC			
UNIT	FREQUENCY KC	INPUT		OUTPUT	
		LOCATION	LEVEL μ VOLTS*	LEVEL	LOCATION
Mixer	60	E152 (GANG)	120	(0 db) 6 mw	O.M. (M252)
	133	E152 (GANG)	340	(0 db) 6 mw	O.M.
	—	—	—	4.5**	V151-4
RF	133	E127 (GANG)	80	(0 db) 6 mw	O.M.
Antenna	133	E102	13	(0 db) 6 mw	O.M.
	133	J102-N	3.0	(0 db) 6 mw	O.M.
Filter	133	J1707	2.2	(0 db) 6 mw	O.M.
	—	—	—	10.0**	E202
Oscillator	—	—	—	10.5**	J202-K
	—	—	—	9.0**	J202-L
	—	—	—	5.0**	V201-5
	—	—	—	8.5**	V201-1
	—	—	—	—	—

* R-f voltage measured with electronic multimeter and r-f probe (item 2 of Table 7-1).

** R-f voltage measured with electronic multimeter and r-f probe (item 2 of Table 7-1). Values given in volts.

NOTES.

1. For all measurements, use an r-f signal generator similar to item 3 of Table 7-1.
2. Use a 0.1- μ f capacitor connected in series with the signal generator on all measurements except "Antenna", in which case use Antenna Simulator SM-35/URM-25 connected in series with the signal generator.
3. Output level readings taken with the ADD DECIBELS switch in the 0 position.
4. All measurements made with chassis pulled out and test cable connected.
5. Antenna links in high-impedance position.

TABLE 7-3. STAGE GAIN MEASUREMENTS—(Continued)

Refer to Figure 7-1 (sheets 1 and 2) to locate items listed in column headed INPUT LOCATION.

R-F System, AN/SRR-11

■ Reception: A1 BROAD

Gain: With no signal input connected to the receiver, set the GAIN control to obtain a -10 db noise output level as indicated on the OUTPUT meter. Place the ADD DECIBELS switch in the -10 position to obtain this reading

Input Signal: Unmodulated with the BFO frequency adjusted for an a-f output of 1 kc

BAND 4		DIAL SETTING 283 KC			
UNIT	FREQUENCY KC	INPUT		OUTPUT	
		LOCATION	LEVEL μ VOLTS*	LEVEL	LOCATION
Mixer	60	E152 (GANG)	70	(0 db) 6 mw	O.M. (M252)
	283	E152 (GANG)	140	(0 db) 6 mw	O.M.
	—	—	—	4.2**	V151-4
RF	283	E127 (GANG)	22	(0 db) 6 mw	O.M.
Antenna	283	E102	13	(0 db) 6 mw	O.M.
	283	J102-N	3.0	(0 db) 6 mw	O.M.
Filter	283	J1707	1.6	(0 db) 6 mw	O.M.
Oscillator	—	—	—	20.0**	E202
	—	—	—	11.0**	J202-K
	—	—	—	10.5**	J202-L
	—	—	—	4.5**	V201-5
	—	—	—	9.5**	V201-1

* R-f voltage measured with electronic multimeter and r-f probe (item 2 of Table 7-1).

** R-f voltage measured with electronic multimeter and r-f probe (item 2 of Table 7-1). Values given in volts.

NOTES.

1. For all measurements, use an r-f signal generator similar to item 3 of Table 7-1.
2. Use a 0.1-μf capacitor connected in series with the signal generator on all measurements except "Antenna", in which case use Antenna Simulator SM-35/URM-25 connected in series with the signal generator.
3. Output level readings taken with the ADD DECIBELS switch in the 0 position.
4. All measurements made with chassis pulled out and test cable connected.
5. Antenna links in high-impedance position.

TABLE 7-3. STAGE GAIN MEASUREMENTS—(Continued)

Refer to Figure 7-1 (sheets 1 and 2) to locate items listed in column headed INPUT LOCATION.

R-F System, AN/SRR-11

Reception: A1 BROAD

Gain: With no signal input connected to the receiver, set the GAIN control to obtain a -10 db noise output level as indicated on the OUTPUT meter. Place the ADD DECIBELS switch in the -10 position to obtain this reading

Input Signal: Unmodulated with the BFO frequency adjusted for an a-f output of 1 kc

BAND 5		DIAL SETTING 283 KC			
UNIT	FREQUENCY KC	INPUT		OUTPUT	
		LOCATION	LEVEL μ VOLTS*	LEVEL	LOCATION
Mixer	200	E152 (GANG)	240	(0 db) 6 mw	O.M. (M252)
	283	E152 (GANG)	430	(0 db) 6 mw	O.M.
	—	—	—	4.0**	V151-4
RF	283	E127 (GANG)	110	(0 db) 6 mw	O.M. across
Antenna	283	E102	16	(0 db) 6 mw	O.M. across
	283	J102-N	3.0	(0 db) 6 mw	O.M.
Filter Oscillator	283	J1707	2.8	(0 db) 6 mw	O.M.
	—	—	—	16.0**	E202
	—	—	—	9.5**	J202-K
	—	—	—	6.0**	J202-L
	—	—	—	4.0**	V201-5
	—	—	—	7.0**	V201-1

* R-f voltage measured with electronic multimeter and r-f probe (item 2 of Table 7-1).

** R-f voltage measured with electronic multimeter and r-f probe (item 2 of Table 7-1). Values given in volts.

NOTES.

1. For all measurements, use an r-f signal generator similar to item 3 of Table 7-1.
2. Use a 0.1- μ f capacitor connected in series with the signal generator on all measurements except "Antenna", in which case use Antenna Simulator SM-35/URM-25 connected in series with the signal generator.
3. Output level readings taken with the ADD DECIBELS switch in the 0 position.
4. All measurements made with chassis pulled out and test cable connected.
5. Antenna links in high-impedance position.

TABLE 7-3. STAGE GAIN MEASUREMENTS—(Continued)

Refer to Figure 7-1 (sheets 1 and 2) to locate items listed in column headed INPUT LOCATION.

R-F System, AN/SRR-11

Reception: A1 BROAD

Gain: With no signal input connected to the receiver, set the GAIN control to obtain a -10 db noise output level as indicated on the OUTPUT meter. Place the ADD DECIBELS switch in the -10 position to obtain this reading

Input Signal: Unmodulated with the BFO frequency adjusted for an a-f output of 1 kc

BAND 5		DIAL SETTING 600 KC			
UNIT	FREQUENCY KC	INPUT		OUTPUT	
		LOCATION	LEVEL μ VOLTS*	LEVEL	LOCATION
Mixer	200	E152 (GANG)	75	(0 db) 6 mw	O.M. (M252)
	600	E152 (GANG)	155	(0 db) 6 mw	O.M.
	—	—	—	3.5**	V151-4
RF Antenna	600	E127 (GANG)	21	(0 db) 6 mw	O.M.
	600	E102	9.0	(0 db) 6 mw	O.M.
Filter Oscillator	600	J102-N	2.0	(0 db) 6 mw	O.M.
	600	J1707	1.6	(0 db) 6 mw	O.M.
	—	—	—	50.0**	E202
	—	—	—	11.0**	J202-K
	—	—	—	10.5**	J202-L
—	—	—	3.5**	V201-5	
—	—	—	9.0**	V201-1	

* R-f voltage measured with electronic multimeter and r-f probe (item 2 of Table 7-1).

** R-f voltage measured with electronic multimeter and r-f probe (item 2 of Table 7-1). Values given in volts.

NOTES.

1. For all measurements, use an r-f signal generator similar to item 3 of Table 7-1.
2. Use a 0.1- μ f capacitor connected in series with the signal generator on all measurements except "Antenna", in which case use Antenna Simulator SM-35/URM-25 connected in series with the signal generator.
3. Output level readings taken with the ADD DECIBELS switch in the 0 position.
4. All measurements made with chassis pulled out and test cable connected.
5. Antenna links in high-impedance position.

TABLE 7-3. STAGE GAIN MEASUREMENTS—(Continued)

Refer to Figure 7-1 (sheets 1 and 2) to locate items listed in column headed INPUT LOCATION.

R-F System, AN/SRR-12

Reception: A1 BROAD

Gain: With no signal input connected to the receiver, set the GAIN control to obtain a -10 db noise output level as indicated on the OUTPUT meter. Place the ADD DECIBELS switch in the -10 position to obtain this reading

Input Signal: Unmodulated with the BFO frequency adjusted for an a-f output of 1 kc

BAND 1		DIAL SETTING 0.25 MC			
UNIT	FREQUENCY MC	INPUT		OUTPUT	
		LOCATION	LEVEL μ VOLTS*	LEVEL	LOCATION
Mixer	0.200	E352	270	6 mw	O.M. (M452)
	0.250	E352	520	6 mw	O.M.
RF Antenna	—	—	—	6.0**	J353-B
	0.250	E327 or J327-K	94	6 mw	O.M.
	0.250	E302 or J302-K	37	6 mw	O.M.
	0.250	E303	20	6 mw	O.M.
	0.250	J452-B or O301-4	8.8	6 mw	O.M.
Filter Oscillator	0.250	J1807	8.8	6 mw	O.M.
	—	—	—	50.0**	E402
	—	—	—	39.0**	J402-K
	—	—	—	23.0**	J402-L
	—	—	—	32.0**	V401-1

* R-f voltage measured with electronic multimeter and r-f probe (item 2 of Table 7-1).

** R-f voltage measured with electronic multimeter and r-f probe (item 2 of Table 7-1). Values given in volts.

NOTES.

1. For all measurements, use an r-f signal generator similar to item 3 of Table 7-1.
2. Use a 0.1- μ f capacitor connected in series with the signal generator on all measurements except "Antenna", in which case use Antenna Simulator SM-35/URM-25 connected in series with the signal generator.
3. Output level readings taken with the ADD DECIBELS switch in the 0 position.
4. All measurements made with chassis pulled out and test cable connected.
5. Antenna links in high-impedance position.

TABLE 7-3. STAGE GAIN MEASUREMENTS—(Continued)

Refer to Figure 7-1 (sheets 1 and 2) to locate items listed in column headed INPUT LOCATION.

R-F System, AN/SRR-12

Reception: A1 BROAD

Gain: With no signal input connected to the receiver, set the GAIN control to obtain a -10 db noise output level as indicated on the OUTPUT meter. Place the ADD DECIBELS switch in the -10 position to obtain this reading

Input Signal: Unmodulated with the BFO frequency adjusted for an a-f output of 1 kc

BAND 1		DIAL SETTING 0.50 MC			
UNIT	FREQUENCY MC	INPUT		OUTPUT	
		LOCATION	LEVEL μ VOLTS*	LEVEL	LOCATION
Mixer	0.20	E352	370	6 mw	O.M. (M452)
	0.50	E352	410	6 mw	O.M.
	—	—	—	5.5**	J353-B
RF	0.50	E327 or J327-K	240	6 mw	O.M.
Antenna	0.50	E302 or J302-K	63	6 mw	O.M.
	0.50	E303	57	6 mw	O.M.
	0.50	J452-B or O301-4	3.8	6 mw	O.M.
Filter	0.50	J1807	5.0	6 mw	O.M.
Oscillator	—	—	—	88.0**	E402
	—	—	—	48.0**	J402-K
	—	—	—	26.0**	J402-L
	—	—	—	40.0**	V401-1

* R-f voltage measured with electronic multimeter and r-f probe (item 2 of Table 7-1).

** R-f voltage measured with electronic multimeter and r-f probe (item 2 of Table 7-1). Values given in volts.

NOTES.

1. For all measurements, use an r-f signal generator similar to item 3 of Table 7-1.
2. Use a 0.1-μf capacitor connected in series with the signal generator on all measurements except "Antenna", in which case use Antenna Simulator SM-35/URM-25 connected in series with the signal generator.
3. Output level readings taken with the ADD DECIBELS switch in the 0 position.
4. All measurements made with chassis pulled out and test cable connected.
5. Antenna links in high-impedance position.

TABLE 7-3. STAGE GAIN MEASUREMENTS—(Continued)

Refer to Figure 7-1 (sheets 1 and 2) to locate items listed in column headed INPUT LOCATION.

R-F System, AN/SRR-12

Reception: A1 BROAD

Gain: With no signal input connected to the receiver, set the GAIN control to obtain a -10 db noise output level as indicated on the OUTPUT meter. Place the ADD DECIBELS switch in the -10 position to obtain this reading

Input Signal: Unmodulated with the BFO frequency adjusted for an a-f output of 1 kc

BAND 2		DIAL SETTING 0.50 MC			
UNIT	FREQUENCY MC	INPUT		OUTPUT	
		LOCATION	LEVEL μ VOLTS*	LEVEL	LOCATION
Mixer	0.20	E352	320	6 mw	O.M. (M452)
	0.50	E352	520	6 mw	O.M.
RF Antenna	—	—	—	6.9**	J353-B
	0.50	E327 or J327-K	92	6 mw	O.M.
Filter	0.50	E302 or J302-K	23	6 mw	O.M.
	0.50	E303	24	6 mw	O.M.
	0.50	J452-B or O301-4	2.7	6 mw	O.M.
Oscillator	0.50	J1807	2.6	6 mw	O.M.
	—	—	—	54.0**	E402
	—	—	—	33.0**	J402-K
	—	—	—	19.0**	J402-L
	—	—	—	27.0**	V401-1

* R-f voltage measured with electronic multimeter and r-f probe (item 2 of Table 7-1).

** R-f voltage measured with electronic multimeter and r-f probe (item 2 of Table 7-1). Values given in volts.

NOTES.

1. For all measurements, use an r-f signal generator similar to item 3 of Table 7-1.
2. Use a 0.1- μ f capacitor connected in series with the signal generator on all measurements except "Antenna", in which case use Antenna Simulator SM-35/URM-25 connected in series with the signal generator.
3. Output level readings taken with the ADD DECIBELS switch in the 0 position.
4. All measurements made with chassis pulled out and test cable connected.
5. Antenna links in high-impedance position.

TABLE 7-3. STAGE GAIN MEASUREMENTS—(Continued)

Refer to Figure 7-1 (sheets 1 and 2) to locate items listed in column headed INPUT LOCATION.

R-F System, AN/SRR-12

■ Reception: A1 BROAD

Gain: With no signal input connected to the receiver, set the GAIN control to obtain a -10 db noise output level as indicated on the OUTPUT meter. Place the ADD DECIBELS switch in the -10 position to obtain this reading

Input Signal: Unmodulated with the BFO frequency adjusted for an a-f output of 1 kc

BAND 2		DIAL SETTING 1.0 MC			
UNIT	FREQUENCY MC	INPUT		OUTPUT	
		LOCATION	LEVEL μ VOLTS*	LEVEL	LOCATION
Mixer	0.20	E352	400	6 mw	O.M. (M452)
	1.0	E352	620	6 mw	O.M.
RF	—	—	—	5.8**	J353-B
	1.0	E327 or J327-K	220	6 mw	O.M.
Antenna	1.0	E302 or J302-K	32	6 mw	O.M.
	1.0	E303	24	6 mw	O.M.
Filter	1.0	J452-B or O301-4	1.9	6 mw	O.M.
	1.0	J1807	1.8	6 mw	O.M.
Oscillator	—	—	—	75.0**	E402
	—	—	—	36.0**	J402-K
	—	—	—	18.0**	J402-L
	—	—	—	30.0**	V401-1

* R-f voltage measured with electronic multimeter and r-f probe (item 2 of Table 7-1).

** R-f voltage measured with electronic multimeter and r-f probe (item 2 of Table 7-1). Values given in volts.

NOTES.

1. For all measurements, use an r-f signal generator similar to item 3 of Table 7-1.
2. Use a 0.1-μf capacitor connected in series with the signal generator on all measurements except "Antenna", in which case use Antenna Simulator SM-35/URM-25 connected in series with the signal generator.
3. Output level readings taken with the ADD DECIBELS switch in the 0 position.
4. All measurements made with chassis pulled out and test cable connected.
5. Antenna links in high-impedance position.

TABLE 7-3. STAGE GAIN MEASUREMENTS—(Continued)

Refer to Figure 7-1 (sheets 1 and 2) to locate items listed in column headed INPUT LOCATION.

R-F System, AN/SRR-12

Reception: A1 BROAD

Gain: With no signal input connected to the receiver, set the GAIN control to obtain a -10 db noise output level as indicated on the OUTPUT meter. Place the ADD DECIBELS switch in the -10 position to obtain this reading

Input Signal: Unmodulated with the BFO frequency adjusted for an a-f output of 1 kc

BAND 3		DIAL SETTING 1.0 MC			
UNIT	FREQUENCY MC	INPUT		OUTPUT	
		LOCATION	LEVEL μ VOLTS*	LEVEL	LOCATION
Mixer	0.20	E352	102	6 mw	O.M. (M452)
	1.0	E352	140	6 mw	O.M.
RF Antenna	—	—	—	8.2**	J353-B
	1.0	E327 or J327-K	60	6 mw	O.M.
	1.0	E302 or J302-K	11	6 mw	O.M.
	1.0	E303	13	6 mw	O.M.
Filter Oscillator	1.0	J452-B or O301-4	2.7	6 mw	O.M.
	—	J1807	2.1	6 mw	O.M.
	—	—	—	29.0**	E402
	—	—	—	14.0**	J402-K
—	—	—	—	5.4**	J402-L
—	—	—	—	12.0**	V401-1

* R-f voltage measured with electronic multimeter and r-f probe (item 2 of Table 7-1).

** R-f voltage measured with electronic multimeter and r-f probe (item 2 of Table 7-1). Values given in volts.

NOTES.

1. For all measurements, use an r-f signal generator similar to item 3 of Table 7-1.
2. Use a 0.1- μ f capacitor connected in series with the signal generator on all measurements except "Antenna", in which case use Antenna Simulator SM-35/URM-25 connected in series with the signal generator.
3. Output level readings taken with the ADD DECIBELS switch in the 0 position.
4. All measurements made with chassis pulled out and test cable connected.
5. Antenna links in high-impedance position.

TABLE 7-3. STAGE GAIN MEASUREMENTS—(Continued)

Refer to Figure 7-1 (sheets 1 and 2) to locate items listed in column headed INPUT LOCATION.

R-F System, AN/SRR-12

Reception: A1 BROAD

Gain: With no signal input connected to the receiver, set the GAIN control to obtain a -10 db noise output level as indicated on the OUTPUT meter. Place the ADD DECIBELS switch in the -10 position to obtain this reading

Input Signal: Unmodulated with the BFO frequency adjusted for an a-f output of 1 kc

BAND 3		DIAL SETTING 2.0 MC			
UNIT	FREQUENCY MC	INPUT		OUTPUT	
		LOCATION	LEVEL μ VOLTS*	LEVEL	LOCATION
Mixer	0.20	E352	90	6 mw	O.M. (M452)
	2.0	E352	113	6 mw	O.M.
	—	—	—	6.8**	J353-B
RF Antenna	2.0	E327 or J327-K	112	6 mw	O.M.
	2.0	E302 or J302-K	14	6 mw	O.M.
	2.0	E303	16	6 mw	O.M.
	2.0	J452-B or O301-4	2.8	6 mw	O.M.
Filter Oscillator	2.0	J1807	1.8	6 mw	O.M.
	—	—	—	40.0**	E402
	—	—	—	14.0**	J402-K
	—	—	—	4.7**	J402-L
	—	—	—	15.0**	V401-1

* R-f voltage measured with electronic multimeter and r-f probe (item 2 of Table 7-1).

** R-f voltage measured with electronic multimeter and r-f probe (item 2 of Table 7-1). Values given in volts.

NOTES.

1. For all measurements, use an r-f signal generator similar to item 3 of Table 7-1.
2. Use a 0.1- μ f capacitor connected in series with the signal generator on all measurements except "Antenna", in which case use Antenna Simulator SM-35/URM-25 connected in series with the signal generator.
3. Output level readings taken with the ADD DECIBELS switch in the 0 position.
4. All measurements made with chassis pulled out and test cable connected.
5. Antenna links in high-impedance position.

TABLE 7-3. STAGE GAIN MEASUREMENTS—(Continued)

Refer to Figure 7-1 (sheets 1 and 2) to locate items listed in column headed INPUT LOCATION.

R-F System, AN/SRR-12

Reception: A1 BROAD

Gain: With no signal input connected to the receiver, set the GAIN control to obtain a -10 db noise output level as indicated on the OUTPUT meter. Place the ADD DECIBELS switch in the -10 position to obtain this reading

Input Signal: Unmodulated with the BFO frequency adjusted for an a-f output of 1 kc

BAND 4		DIAL SETTING 2.0 MC			
UNIT	FREQUENCY MC	INPUT		OUTPUT	
		LOCATION	LEVEL μ VOLTS*	LEVEL	LOCATION
Mixer	1.6	E352	175	6 mw	O.M. (M452)
	2.0	E352	140	6 mw	O.M.
RF Antenna	—	—	—	5.0**	J353-B
	2.0	E327 or J327-K	46	6 mw	O.M.
Filter	2.0	E302 or J302-K	8.6	6 mw	O.M.
	2.0	E303	7.7	6 mw	O.M.
	2.0	J452-B or O301-4	3.3	6 mw	O.M.
Oscillator	2.0	J1807	2.4	6 mw	O.M.
	—	—	—	11.0**	E402
	—	—	—	7.5**	J402-K
	—	—	—	4.3**	J402-L
	—	—	—	5.8**	V401-1

* R-f voltage measured with electronic multimeter and r-f probe (item 2 of Table 7-1).

** R-f voltage measured with electronic multimeter and r-f probe (item 2 of Table 7-1). Values given in volts.

NOTES.

1. For all measurements, use an r-f signal generator similar to item 3 of Table 7-1.
2. Use a 0.1- μ f capacitor connected in series with the signal generator on all measurements except "Antenna", in which case use Antenna Simulator SM-35/URM-25 connected in series with the signal generator.
3. Output level readings taken with the ADD DECIBELS switch in the 0 position.
4. All measurements made with chassis pulled out and test cable connected.
5. Antenna links in high-impedance position.

TABLE 7-3. STAGE GAIN MEASUREMENTS—(Continued)

Refer to Figure 7-1 (sheets 1 and 2) to locate items listed in column headed INPUT LOCATION.

R-F System, AN/SRR-12

Reception: A1 BROAD

Gain: With no signal input connected to the receiver, set the GAIN control to obtain a -10 db noise output level as indicated on the OUTPUT meter. Place the ADD DECIBELS switch in the -10 position to obtain this reading

Input Signal: Unmodulated with the BFO frequency adjusted for an a-f output of 1 kc

BAND 4		DIAL SETTING 4.0 MC			
UNIT	FREQUENCY LEVEL	INPUT		OUTPUT	
		LOCATION	LEVEL μ VOLTS*	LEVEL	LOCATION
Mixer	1.6	E352	220	6 mw	O.M. (M452)
	4.0	E352	310	6 mw	O.M.
	—	—	—	3.7**	J353-B
RF Antenna	4.0	E327 or J327-K	140	6 mw	O.M.
	4.0	E302 or J302-K	13	6 mw	O.M.
	4.0	E303	6.6	6 mw	O.M.
	4.0	J452-B or O301-4	3.2	6 mw	O.M.
Filter Oscillator	4.0	J1807	1.8	6 mw	O.M.
	—	—	—	24.0**	E402
	—	—	—	12.0**	J402-K
	—	—	—	6.0**	J402-L
	—	—	—	9.5**	V401-1

* R-f voltage measured with electronic multimeter and r-f probe (item 2 of Table 7-1).

** R-f voltage measured with electronic multimeter and r-f probe (item 2 of Table 7-1). Values given in volts.

NOTES.

1. For all measurements, use an r-f signal generator similar to item 3 of Table 7-1.
2. Use a 0.1- μ f capacitor connected in series with the signal generator on all measurements except "Antenna", in which case use Antenna Simulator SM-35/URM-25 connected in series with the signal generator.
3. Output level readings taken with the ADD DECIBELS switch in the 0 position.
4. All measurements made with chassis pulled out and test cable connected.
5. Antenna links in high-impedance position.

TABLE 7-3. STAGE GAIN MEASUREMENTS—(Continued)

Refer to Figure 7-1 (sheets 1 and 2) to locate items listed in column headed INPUT LOCATION.

R-F System, AN/SRR-12

Reception: A1 BROAD

Gain: With no signal input connected to the receiver, set the GAIN control to obtain a -10 db noise output level as indicated on the OUTPUT meter. Place the ADD DECIBELS switch in the -10 position to obtain this reading

Input Signal: Unmodulated with the BFO frequency adjusted for an a-f output of 1 kc

BAND 5		DIAL SETTING 4.0 MC			
UNIT	FREQUENCY MC	INPUT		OUTPUT	
		LOCATION	LEVEL μ VOLTS*	LEVEL	LOCATION
Mixer	1.6	E352	180	6 mw	O.M. (M452)
	4.0	E352	240	6 mw	O.M.
RF Antenna	—	—	—	3.8**	J353-B
	4.0	E327 or J327-K	34	6 mw	O.M.
	4.0	E302 or J302-K	6.2	6 mw	O.M.
	4.0	E303	4.9	6 mw	O.M.
	4.0	J452-B or O301-4	3.0	6 mw	O.M.
Filter Oscillator	4.0	J1807	1.6	6 mw	O.M.
	—	—	—	10.2**	E402
	—	—	—	6.2**	J402-K
	—	—	—	2.5**	J402-L
	—	—	—	5.0**	V401-1

* R-f voltage measured with electronic multimeter and r-f probe (item 2 of Table 7-1).

** R-f voltage measured with electronic multimeter and r-f probe (item 2 of Table 7-1). Values given in volts.

NOTES.

1. For all measurements, use an r-f signal generator similar to item 3 of Table 7-1.
2. Use a 0.1- μ f capacitor connected in series with the signal generator on all measurements except "Antenna", in which case use Antenna Simulator SM-35/USM-25 connected in series with the signal generator.
3. Output level readings taken with the ADD DECIBELS switch in the 0 position.
4. All measurements made with chassis pulled out and test cable connected.
5. Antenna links in high-impedance position.

TABLE 7-3. STAGE GAIN MEASUREMENTS—(Continued)

Refer to Figure 7-1 (sheets 1 and 2) to locate items listed in column headed INPUT LOCATION.

R-F System, AN/SRR-12

■ Reception: A1 BROAD

Gain: With no signal input connected to the receiver, set the GAIN control to obtain a -10 db noise output level as indicated on the OUTPUT meter. Place the ADD DECIBELS switch in the -10 position to obtain this reading

Input Signal: Unmodulated with the BFO frequency adjusted for an a-f output of 1 kc

BAND 5		DIAL SETTING 8.0 MC			
UNIT	FREQUENCY MC	INPUT		OUTPUT	
		LOCATION	LEVEL μ VOLTS*	LEVEL	LOCATION
Mixer	1.6	E352	300	6 mw	O.M. (M452)
	8.0	E352	480	6 mw	O.M.
	—	—	—	2.5**	J353-B
RF	8.0	E327 or J327-K	180	6 mw	O.M.
Antenna	8.0	E302 or J302-K	12	6 mw	O.M.
	8.0	E303	7.3	6 mw	O.M.
	8.0	J452-B or O301-4	4.4	6 mw	O.M.
Filter	8.0	J1807	1.5	6 mw	O.M.
	—	—	—	18.0**	E402
Oscillator	—	—	—	10.5**	J402-K
	—	—	—	4.5**	J402-L
	—	—	—	8.5**	V401-1
	—	—	—	—	—

* R-f voltage measured with electronic multimeter and r-f probe (item 2 of Table 7-1).

** R-f voltage measured with electronic multimeter and r-f probe (item 2 of Table 7-1). Values given in volts.

NOTES.

1. For all measurements, use an r-f signal generator similar to item 3 of Table 7-1.
2. Use a 0.1-μf capacitor connected in series with the signal generator on all measurements except "Antenna", in which case use Antenna Simulator SM-35/USM-25 connected in series with the signal generator.
3. Output level readings taken with the ADD DECIBELS switch in the 0 position.
4. All measurements made with chassis pulled out and test cable connected.
5. Antenna links in high-impedance position.

TABLE 7-3. STAGE GAIN MEASUREMENTS—(Continued)

Refer to Figure 7-1 (sheets 1 and 2) to locate items listed in column headed INPUT LOCATION.

R-F System, AN/SRR-13

Reception: A1 BROAD

Gain: With no signal input connected to the receiver, set the GAIN control to obtain a -10 db noise output level as indicated on the OUTPUT meter. Place the ADD DECIBELS switch in the -10 position to obtain this reading

Input Signal: Unmodulated with the BFO frequency adjusted for an a-f output of 1 kc

BAND 1		DIAL SETTING 2.0 MC			
UNIT	FREQUENCY MC	INPUT		OUTPUT	
		LOCATION	LEVEL μ VOLTS	LEVEL	LOCATION
Mixer	1.6	E552	120	0 db (6 mw)	O.M. (M652)
	2.0	E552	200	0 db (6 mw)	O.M.
	—	—	—	*4	O603
	—	—	—	—	V551-4
RF	2.0	E527	70	0 db (6 mw)	O.M.
Antenna	2.0	E502	10	0 db (6 mw)	O.M.
	2.0	E503	7	0 db (6 mw)	O.M.
	2.0	J652-B	4	0 db (6 mw)	O.M.
Frame	2.0	E655	4	0 db (6 mw)	O.M.
		J664-A4	4	0 db (6 mw)	O.M.
Filter	2.0	J1807	4	0 db (6 mw)	O.M.
Oscillator	—	—	—	*10	E602
	—	—	—	*12	J602-K
	—	—	—	*8	J602-L

* R-f volts, measured with electronic tube multimeter and r-f probe (item 2 of Table 7-1).

NOTES.

1. For all measurements, use an r-f signal generator similar to item 3 of Table 7-1.
2. Use a 0.1- μ f capacitor connected in series with the signal generator on all measurements except "Antenna", in which case use a 390-ohm resistor connected in series with the signal generator.
3. Output level readings taken with the ADD DECIBELS switch in the 0 position.
4. All measurements made with chassis pulled out and test cable connected.
5. Antenna links in high-impedance position.

TABLE 7-3. STAGE GAIN MEASUREMENTS—(Continued)

Refer to Figure 7-1 (sheets 1 and 2) to locate items listed in column headed INPUT LOCATION.

R-F System, AN/SRR-13

Reception: A1 BROAD

Gain: With no signal input connected to the receiver, set the GAIN control to obtain a -10 db noise output level as indicated on the OUTPUT meter. Place the ADD DECIBELS switch in the -10 position to obtain this reading

Input Signal: Unmodulated with the BFO frequency adjusted for an a-f output of 1 kc

BAND 1		DIAL SETTING 4.0 MC			
UNIT	FREQUENCY MC	INPUT		OUTPUT	
		LOCATION	LEVEL μ VOLTS	LEVEL	LOCATION
Mixer	1.6	E552	120	0 db 6 mw	O.M. (M652)
	4.0	E552	200	0 db 6 mw	O.M.
	—	—	—	*3.0	O603
	—	—	—	—	V551-4
RF	4.0	E527	80	0 db 6 mw	O.M.
Antenna	4.0	E502	10	0 db 6 mw	O.M.
	4.0	E503	8	0 db 6 mw	O.M.
	4.0	J652-B	3	0 db 6 mw	O.M.
Frame	4.0	E655	3	0 db 6 mw	O.M.
	4.0	J664-A4	3	0 db 6 mw	O.M.
Filter	4.0	J1807	3	0 db 6 mw	O.M.
Oscillator	—	—	—	*10.0	E602
	—	—	—	*8.0	J602-K
	—	—	—	*5.6	J602-L

* R-f volts, measured with electronic tube multimeter and r-f probe (item 2 of Table 7-1).

NOTES.

1. For all measurements, use an r-f signal generator similar to item 3 of Table 7-1.
2. Use a 0.1- μ f capacitor connected in series with the signal generator on all measurements except "Antenna", in which case use a 390-ohm resistor connected in series with the signal generator.
3. Output level readings taken with the ADD DECIBELS switch in the 0 position.
4. All measurements made with chassis pulled out and test cable connected.
5. Antenna links in high-impedance position.

TABLE 7-3. STAGE GAIN MEASUREMENTS—(Continued)

Refer to Figure 7-1 (sheets 1 and 2) to locate items listed in column headed INPUT LOCATION.

R-F System, AN/SRR-13

■ Reception: A1 BROAD

Gain: With no signal input connected to the receiver, set the GAIN control to obtain a -10 db noise output level as indicated on the OUTPUT meter. Place the ADD DECIBELS switch in the -10 position to obtain this reading

Input Signal: Unmodulated with the BFO frequency adjusted for an a-f output of 1 kc

BAND 2		DIAL SETTING 4.0 MC			
UNIT	FREQUENCY MC	INPUT		OUTPUT	
		LOCATION	LEVEL μ VOLTS	LEVEL	LOCATION
Mixer	1.6	E552	130	0 db (6 mw)	O.M. (M652)
	4.0	E552	200	0 db (6 mw)	O.M.
	—	—	—	*3.2	O603
	—	—	—	—	V551-4
RF	4.0	E527	50	0 db (6 mw)	O.M.
Antenna	4.0	E502	8	0 db (6 mw)	O.M.
	4.0	E503	7	0 db (6 mw)	O.M.
	4.0	J652-B	4	0 db (6 mw)	O.M.
Frame	4.0	E655	4	0 db (6 mw)	O.M.
	4.0	J664-A4	4	0 db (6 mw)	O.M.
Filter	4.0	J1807	4	0 db (6 mw)	O.M.
Oscillator	—	—	—	*12.0	E602
	—	—	—	*11.2	J-602-K
	—	—	—	*6.4	J602-L
	—	—	—	*10	V601-1

* R-f volts, measured with electronic tube multimeter and r-f probe (item 2 of Table 7-1).

NOTES.

1. For all measurements, use an r-f signal generator similar to item 3 of Table 7-1.
2. Use a 0.1- μ f capacitor connected in series with the signal generator on all measurements except "Antenna", in which case use a 390-ohm resistor connected in series with the signal generator.
3. Output level readings taken with the ADD DECIBELS switch in the 0 position.
4. All measurements made with chassis pulled out and test cable connected.
5. Antenna links in high-impedance position.

TABLE 7-3. STAGE GAIN MEASUREMENTS—(Continued)

Refer to Figure 7-1 (sheets 1 and 2) to locate items listed in column headed INPUT LOCATION.

R-F System, AN/SRR-13

■ Reception: A1 BROAD

Gain: With no signal input connected to the receiver, set the GAIN control to obtain a -10 db noise output level as indicated on the OUTPUT meter. Place the ADD DECIBELS switch in the -10 position to obtain this reading

Input Signal: Unmodulated with the BFO frequency adjusted for an a-f output of 1 kc

BAND 2		DIAL SETTING 8.0 MC			
UNIT	FREQUENCY MC	INPUT		OUTPUT	
		LOCATION	LEVEL μ VOLTS	LEVEL	LOCATION
Mixer	1.6	E552	120	0 db (6 mw)	O.M. (M652)
	8.0	E552	140	0 db (6 mw)	O.M.
	—	—	—	*6.0	O603
	—	—	—	—	V551-4
RF	8.0	E527	60	0 db (6 mw)	O.M.
Antenna	8.0	E502	10	0 db (6 mw)	O.M.
	8.0	E503	12	0 db (6 mw)	O.M.
	8.0	J652-B	—	0 db (6 mw)	O.M.
Frame	8.0	E655	6	0 db (6 mw)	O.M.
	8.0	J664-A4	6	0 db (6 mw)	O.M.
Filter	8.0	J1807	6	0 db (6 mw)	O.M.
Oscillator	—	—	—	*22.0	E602
	—	—	—	*18.0	J602-K
	—	—	—	*11.5	J602-L
	—	—	—	*16.0	V601-1

* R-f volts, measured with electronic tube multimeter and r-f probe (item 2 of Table 7-1).

NOTES.

1. For all measurements, use an r-f signal generator similar to item 3 of Table 7-1.
2. Use a 0.1-μf capacitor connected in series with the signal generator on all measurements except "Antenna", in which case use a 390-ohm resistor connected in series with the signal generator.
3. Output level readings taken with the ADD DECIBELS switch in the 0 position.
4. All measurements made with chassis pulled out and test cable connected.
5. Antenna links in high-impedance position.

TABLE 7-3. STAGE GAIN MEASUREMENTS—(Continued)

Refer to Figure 7-1 (sheets 1 and 2) to locate items listed in column headed INPUT LOCATION.

R-F System, AN/SRR-13

Reception: A1 BROAD

Gain: With no signal input connected to the receiver, set the GAIN control to obtain a -10 db noise output level as indicated on the OUTPUT meter. Place the ADD DECIBELS switch in the -10 position to obtain this reading

Input Signal: Unmodulated with the BFO frequency adjusted for an a-f output of 1 kc

BAND 3		DIAL SETTING 8.0 MC			
UNIT	FREQUENCY MC	INPUT		OUTPUT	
		LOCATION	LEVEL μ VOLTS	LEVEL	LOCATION
Mixer	1.6	E552	170	0 db (6 mw)	O.M. (M652)
	8.0	E552	230	0 db (6 mw)	O.M.
	—	—	—	*2.3	O603
RF	—	—	—	—	V551-4
	8.0	E527	70	0 db (6 mw)	O.M.
	Antenna	8.0	E502	7	0 db (6 mw)
8.0		E503	6	0 db (6 mw)	O.M.
8.0		J652-B	5	0 db (6 mw)	O.M.
Frame	8.0	E655	5	0 db (6 mw)	O.M.
	8.0	J664-A4	5	0 db (6 mw)	O.M.
	8.0	J1807	5	0 db (6 mw)	O.M.
Filter	8.0	J1807	5	0 db (6 mw)	O.M.
Oscillator	—	—	—	*9.4	E602
	—	—	—	*8.2	J602-K
	—	—	—	*7.3	J602-L
				*7.3	V601-1

* R-f volts, measured with electronic tube multimeter and r-f probe (item 2 of Table 7-1).

NOTES.

1. For all measurements, use an r-f signal generator similar to item 3 of Table 7-1.
2. Use a 0.1- μ f capacitor connected in series with the signal generator on all measurements except "Antenna", in which case use a 390-ohm resistor connected in series with the signal generator.
3. Output level readings taken with the ADD DECIBELS switch in the 0 position.
4. All measurements made with chassis pulled out and test cable connected.
5. Antenna links in high-impedance position.

TABLE 7-3. STAGE GAIN MEASUREMENTS—(Continued)

Refer to Figure 7-1 (sheets 1 and 2) to locate items listed in column headed INPUT LOCATION.

R-F System, AN/SRR-13

■ Reception: A1 BROAD

Gain: With no signal input connected to the receiver, set the GAIN control to obtain a -10 db noise output level as indicated on the OUTPUT meter. Place the ADD DECIBELS switch in the -10 position to obtain this reading

Input Signal: Unmodulated with the BFO frequency adjusted for an a-f output of 1 kc

BAND 3		DIAL SETTING 16.0 MC			
UNIT	FREQUENCY MC	INPUT		OUTPUT	
		LOCATION	LEVEL μ VOLTS	LEVEL	LOCATION
Mixer	1.6	E552	200	0 db (6 mw)	O.M. (M652)
	16.0	E552	180	0 db (6 mw)	O.M.
	—	—	—	*5.0	O603
RF Antenna	—	—	—	—	V551-4
	16.0	E527	70	0 db (6 mw)	O.M.
	16.0	E502	9	0 db (6 mw)	O.M.
Frame	16.0	E503	10.0	0 db (6 mw)	O.M.
	16.0	J652-B	9.0	0 db (6 mw)	O.M.
	16.0	E655	9.0	0 db (6 mw)	O.M.
	16.0	J664-A4	9.0	0 db (6 mw)	O.M.
Filter Oscillator	16.0	J1807	6.5	0 db (6 mw)	O.M.
	—	—	—	*18.0	E602
	—	—	—	*15.0	J602-K
	—	—	—	*9.6	J602-L
	—	—	—	*14	V601-1

* R-f volts, measured with electronic tube multimeter and r-f probe (item 2 of Table 7-1).

NOTES.

1. For all measurements, use an r-f signal generator similar to item 3 of Table 7-1.
2. Use a 0.1- μ f capacitor connected in series with the signal generator on all measurements except "Antenna", in which case use a 390-ohm resistor connected in series with the signal generator.
3. Output level readings taken with the ADD DECIBELS switch in the 0 position.
4. All measurements made with chassis pulled out and test cable connected.
5. Antenna links in high-impedance position.

TABLE 7-3. STAGE GAIN MEASUREMENTS—(Continued)

Refer to Figure 7-1 (sheets 1 and 2) to locate items listed in column headed INPUT LOCATION.

R-F System, AN/SRR-13

■ Reception: A1 BROAD

Gain: With no signal input connected to the receiver, set the GAIN control to obtain a -10 db noise output level as indicated on the OUTPUT meter. Place the ADD DECIBELS switch in the -10 position to obtain this reading

Input Signal: Unmodulated with the BFO frequency adjusted for an a-f output of 1 kc

BAND 4		DIAL SETTING 16.0 MC			
UNIT	FREQUENCY MC	INPUT		OUTPUT	
		LOCATION	LEVEL μ VOLTS	LEVEL	LOCATION
Mixer	1.6	E552	6000	0 db (6 mw)	O.M. (M652)
	16.0	E552	150	0 db (6 mw)	O.M.
	—	—	—	*3.5	O603
	—	—	—	—	V551-4
RF	16.0	E527	35	0 db (6 mw)	O.M.
Antenna	16.0	E502	4.5	0 db (6 mw)	O.M.
	16.0	E503	4.5	0 db (6 mw)	O.M.
	16.0	J652-B	12.0	0 db (6 mw)	O.M.
Frame	16.0	E655	12.0	0 db (6 mw)	O.M.
	16.0	J664-A4	—	0 db (6 mw)	O.M.
Filter	16.0	J1807	9.0	0 db (6 mw)	O.M.
Oscillator	—	—	—	*5.8	E602
	—	—	—	*9.4	J602-K
	—	—	—	*6.8	J602-L
	—	—	—	*8.5	V601-1

* R-f volts, measured with electronic tube multimeter and r-f probe (item 2 of Table 7-1).

NOTES.

1. For all measurements, use an r-f signal generator similar to item 3 of Table 7-1.
2. Use a 0.1- μ f capacitor connected in series with the signal generator on all measurements except "Antenna", in which case use a 390-ohm resistor connected in series with the signal generator.
3. Output level readings taken with the ADD DECIBELS switch in the 0 position.
4. All measurements made with chassis pulled out and test cable connected.
5. Antenna links in high-impedance position.

TABLE 7-3. STAGE GAIN MEASUREMENTS—(Continued)

Refer to Figure 7-1 (sheets 1 and 2) to locate items listed in column headed INPUT LOCATION.

R-F System, AN/SRR-13

Reception: A1 BROAD

Gain: With no signal input connected to the receiver, set the GAIN control to obtain a -10 db noise output level as indicated on the OUTPUT meter. Place the ADD DECIBELS switch in the -10 position to obtain this reading

Input Signal: Unmodulated with the BFO frequency adjusted for an a-f output of 1 kc

BAND 4		DIAL SETTING 24.0 MC			
UNIT	FREQUENCY MC	INPUT		OUTPUT	
		LOCATION	LEVEL μ VOLTS	LEVEL	LOCATION
Mixer	1.6	E552	5000	0 db (6 mw)	O.M. (M652)
	24.0	E552	—	0 db (6 mw)	O.M.
	—	—	—	*5.0	O603
	—	—	—	—	V551-4
RF	24.0	E527	35	0 db (6 mw)	O.M.
Antenna	24.0	E502	5.4	0 db (6 mw)	O.M.
	24.0	E503	9.0	0 db (6 mw)	O.M.
	24.0	J652-B	22	0 db (6 mw)	O.M.
Frame	24.0	E655	22	0 db (6 mw)	O.M.
	24.0	J664-A4	22	0 db (6 mw)	O.M.
Filter	24.0	J1807	6.0	0 db (6 mw)	O.M.
Oscillator	—	—	—	*12	E602
	—	—	—	*13	J602-K
	—	—	—	*9.5	J602-L
	—	—	—	*11.0	V601-1

* R-f volts, measured with electronic tube multimeter and r-f probe (item 2 of Table 7-1).

NOTES.

1. For all measurements, use an r-f signal generator similar to item 3 of Table 7-1.
2. Use a 0.1- μ f capacitor connected in series with the signal generator on all measurements except "Antenna", in which case use a 390-ohm resistor connected in series with the signal generator.
3. Output level readings taken with the ADD DECIBELS switch in the 0 position.
4. All measurements made with chassis pulled out and test cable connected.
5. Antenna links in high-impedance position.

TABLE 7-3. STAGE GAIN MEASUREMENTS—(Continued)

Refer to Figure 7-1 (sheets 1 and 2) to locate items listed in column headed INPUT LOCATION.

R-F System, AN/SRR-13

Reception: A1 BROAD

Gain: With no signal input connected to the receiver, set the GAIN control to obtain a -10 db noise output level as indicated on the OUTPUT meter. Place the ADD DECIBELS switch in the -10 position to obtain this reading

Input Signal: Unmodulated with the BFO frequency adjusted for an a-f output of 1 kc

BAND 5		DIAL SETTING 24.0 MC			
UNIT	FREQUENCY MC	INPUT		OUTPUT	
		LOCATION	LEVEL μ VOLTS	LEVEL	LOCATION
Mixer	1.6	E552	20,000	0 db (6 mw)	O.M. (M652)
	24.0	E552	80	0 db (6 mw)	O.M.
	—	—	—	*3.2	O603
	—	—	—	—	V551-4
RF	24.0	E527	17	0 db (6 mw)	O.M.
Antenna	24.0	E502	1.7	0 db (6 mw)	O.M.
	24.0	E503	3.0	0 db (6 mw)	O.M.
	24.0	J652-B	25	0 db (6 mw)	O.M.
Frame	24.0	E655	25	0 db (6 mw)	O.M.
	24.0	J664-A4	25	0 db (6 mw)	O.M.
Filter	24.0	J1807	12.0	0 db (6 mw)	O.M.
Oscillator	—	—	—	*3.4	E602
	—	—	—	*8.0	J602-K
	—	—	—	*6.0	J602-L
	—	—	—	*7.3	V601-1

* R-f volts, measured with electronic tube multimeter and r-f probe (item 2 of Table 7-1).

NOTES.

1. For all measurements, use an r-f signal generator similar to item 3 of Table 7-1.
2. Use a 0.1- μ f capacitor connected in series with the signal generator on all measurements except "Antenna", in which case use a 390-ohm resistor connected in series with the signal generator.
3. Output level readings taken with the ADD DECIBELS switch in the 0 position.
4. All measurements made with chassis pulled out and test cable connected.
5. Antenna links in high-impedance position.

TABLE 7-3. STAGE GAIN MEASUREMENTS—(Continued)

Refer to Figure 7-1 (sheets 1 and 2) to locate items listed in column headed INPUT LOCATION.

R-F System, AN/SRR-13

Reception: A1 BROAD

Gain: With no signal input connected to the receiver, set the GAIN control to obtain a -10 db noise output level as indicated on the OUTPUT meter. Place the ADD DECIBELS switch in the -10 position to obtain this reading

Input Signal: Unmodulated with the BFO frequency adjusted for an a-f output of 1 kc

BAND 5		DIAL SETTING 32.0 MC			
UNIT	FREQUENCY MC	INPUT		OUTPUT	
		LOCATION	LEVEL μ VOLTS	LEVEL	LOCATION
Mixer	1.6	E552	20,000	0 db (6 mw)	O.M. (M652)
	32.0	E552	80	0 db (6 mw)	O.M.
	—	—	—	*4.0	O603
	—	—	—	—	V551-4
RF	32.0	E527	20	0 db (6 mw)	O.M.
Antenna	32.0	E502	2.5	0 db (6 mw)	O.M.
	32.0	E503	4.0	0 db (6 mw)	O.M.
	32.0	J652-B	50	0 db (6 mw)	O.M.
Frame	32.0	E655	50	0 db (6 mw)	O.M.
	32.0	J664-A4	50	0 db (6 mw)	O.M.
Filter	32.0	J1807	10	0 db (6 mw)	O.M.
Oscillator	—	—	—	*6.4	E602
	—	—	—	*9.0	J602-K
	—	—	—	*7.0	J602-L
	—	—	—	8.8	V601-1

* R-f volts, measured with electronic tube multimeter and r-f probe (item 2 of Table 7-1).

NOTES.

1. For all measurements, use an r-f signal generator similar to item 3 of Table 7-1.
2. Use a 0.1- μ f capacitor connected in series with the signal generator on all measurements except "Antenna", in which case use a 390-ohm resistor connected in series with the signal generator.
3. Output level readings taken with the ADD DECIBELS switch in the 0 position.
4. All measurements made with chassis pulled out and test cable connected.
5. Antenna links in high-impedance position.

MISCELLANEOUS

	OUTPUT		REMARKS
	LOCATION	LEVEL R-F VOLTS	
Xtal. Cal. AN/SRR-13	Z1201-A	1.2	Measure voltage with electronic tube multimeter. (Item 2 of Table 7-1)
	Z1201-H	3.2	
	Z1201-J	8.0	
	V1201-8	17.0	
	Z1202-J	8	
	V1202-8	20	
Xtal. Cal. AN/SRR-12	Z1501-A	1.2	
	Z1501-H	9.0	
	Z1501-J	1.1	
	V1501-8	25	
	Z1502-J	4.2	
	V1502-8	24	
Xtal. Cal. AN/SRR-11	Z1401-A	15	
	Z1401-J	6.0 peak to peak	
	Z1401-H	0.06 peak to peak	
	J1401-B	0.06 peak to peak	
	J1401-E	3.0	
	V1401-8	6.0 peak to peak	
	Z1401-C	3.0	
	J1401-C	7.0 peak to peak	
	Z1402-A	0.75 peak to peak	

MISCELLANEOUS

UNIT	FREQUENCY KC	OUTPUT		REMARKS
		LOCATION	LEVEL R-F VOLTS	
BFO	200	Z1302-A	9.0	Measured with electronic tube multimeter (Item 2 of Table 7-1)
		Z1302-J	4.5	
		J1301-B	3.5	
		V1301-2	5.0	
		V1301-7	17	
		Z1302-E	17	
		Z1301-1	8.5	

5. VOLTAGE AND RESISTANCE MEASUREMENTS.

The following Table 7-4 shows voltage and resistance values under the following conditions:

a. RECEPTION control set to A1 BROAD.

b. SILENCER control set to minimum.

c. All other controls set to maximum.

d. All cables connected for normal single receiver operation, including the Test Cable Assembly, CG-1101/SRR.

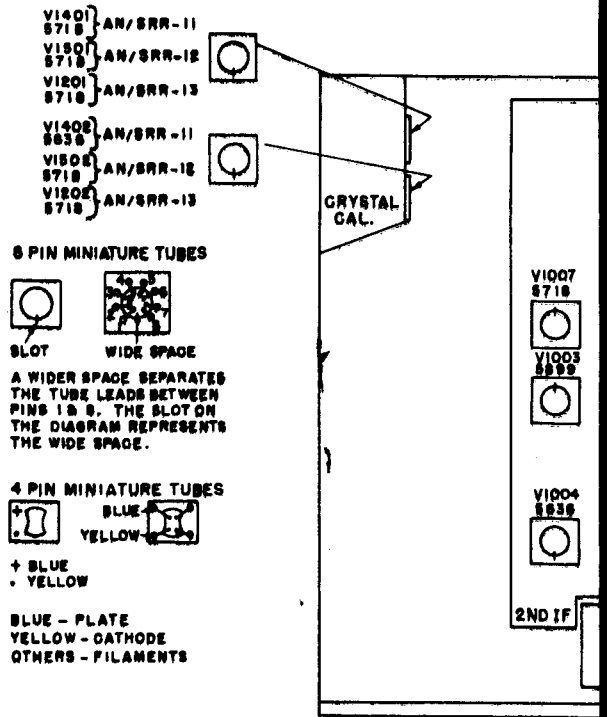
TABLE 7-4. VOLTAGE MEASUREMENTS TO CHASSIS GROUND, (AN/SRR-11, -12, and -13)

TUBE SYMBOLS	MEASUREMENTS GIVEN IN VOLTS								REMARKS
	PIN NUMBERS								
	1	2	3	4	5	6	7	8	
V101	0	2.0	6.3*	—	90	0	91	—	AN/SRR-11 only
V126	0.3	2.2	0	—	88	6.3*	89	—	AN/SRR-11 only
V151	0	2.4	0	-1.7	100	6.3*	110	—	AN/SRR-11 only
V201	—	2.0	6.3*	—	75	0	25	—	AN/SRR-11 only
V301	0	1.3	3.15*	1.3	90	3.15*	90	—	AN/SRR-12 only
V326	0	1.3	3.15*	1.3	92	3.15*	92	—	AN/SRR-12 only
V351	0	1.3	3.15*	-1.2	94	3.15*	95	—	AN/SRR-12 only
V352	0	—	3.15*	—	0.6	3.15*	—	96	AN/SRR-12 only
V401	8.2	0	0	0	87	6.3*	82	—	AN/SRR-12 only
V501	0	1.4	3.15*	—	101	3.15*	100	—	AN/SRR-13 only
V526	0	1.9	3.15*	—	106	3.15*	106	—	AN/SRR-13 only
V551	0	1.3	3.15*	-4	112	3.15*	107	—	AN/SRR-13 only
V552	0	—	3.15*	—	2.3	3.15*	—	108	AN/SRR-13 only
V601	-10	0	0	—	90	6.3*	92	—	AN/SRR-13 only
V701	-5.9	1.5	3.15*	0	100	3.15*	84	1.5	Band I and IV AN/SRR-11 only
V801	-2.7	0.8	3.15*	0	90	3.15*	62	0	AN/SRR-12 only
V901	-0.66	1.5	3.15*	0	107	3.15*	72	—	AN/SRR-13 only
V1001	0	1.5	3.15*	1.5	87	3.15*	86	1.5	
V1002	0	1.5	3.15*	1.5	88	3.15*	88	1.6	
V1003	0	1.7	3.15*	1.7	88	3.15*	88	1.7	
V1004	-9.5	2.3	3.15*	-2.1	80	3.15*	82	2.3	
V1005	-23	2.9*	2.9*	0	—	—	—	—	
V1006	0	2.9*	2.9*	0	—	—	—	—	
V1007	0	0	3.15*	0	2.25	3.15*	3.6	100	
V1101	0	100	100	0.3	—	—	—	—	
V1102	0	0	3.15*	0	1.0	3.15*	0	37	
V1103	75	100	100	75	—	—	—	—	
V1104	0	0	3.15*	0	2.0	3.15*	0	90	
V1105	0	0	3.15*	0	0.8	3.15*	0	37	
V1106	11.0	3.15*	3.15*	11.0	—	—	—	—	
V1107	11.0	3.15*	3.15*	11.0	—	—	—	—	
V1108	0	0	3.15*	0	0.8	3.15*	1.5	70	
V1109	0.15	9.0	3.15*	9.0	90	3.15*	100	9.0	
V1201	1.5	—	3.15*	—	2.8	3.15*	—	70	Cal "ON" AN/SRR-13 only
V1202	-4.7	—	3.15*	—	2.8	3.15*	—	85	Cal "ON" AN/SRR-13 only
V1301	-2.5	2.5	3.15*	2.5	46	3.15*	74	2.5	
V1401	-28	0	3.15*	0	0.1	3.15*	0	37	Cal "ON" AN/SRR-11 only
V1402	0	3.6	3.15*	-1.0	87	3.15*	81	3.6	Cal "ON" AN/SRR-11 only
V1501	1.6	—	3.15*	—	3.1	3.15*	—	74	Cal "ON" AN/SRR-12 only
V1502	-5.3	—	3.15*	—	3.1	3.15*	—	96	Cal "ON" AN/SRR-12 only
V1601	210*	—	0	0	—	210*	165	—	
V1602	210*	—	0	0	—	210*	165	—	
V1603	86	—	—	0	—	—	—	—	

* a-c volts

**AN/SRR-11, -12, -13
CORRECTIVE MAINTENANCE**

TABLE 7-4. VOLTAGE AND RESISTANCE M



6 PIN MINIATURE TUBES



SLOT



WIDE SPACE

A WIDER SPACE SEPARATES THE TUBE LEADS BETWEEN PINS 1 & 8. THE SLOT ON THE DIAGRAM REPRESENTS THE WIDE SPACE.

4 PIN MINIATURE TUBES



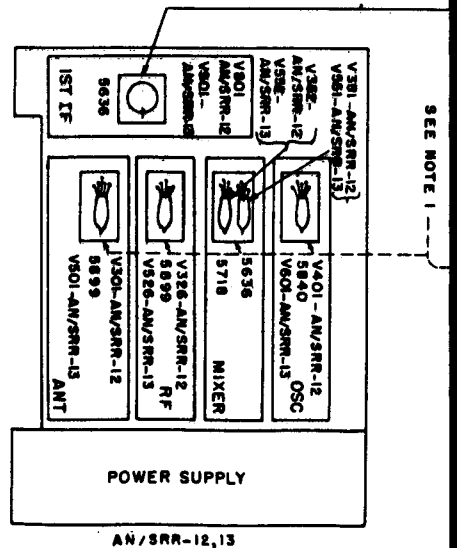
BLUE



YELLOW

+ BLUE
• YELLOW

BLUE - PLATE
YELLOW - CATHODE
OTHERS - FILAMENTS



NOTE 1. - TAKE MEASUREMENTS ON NUMBERED PIN
NOTE 2. - EIGHT-PIN MINIATURE TUBES; SEE ON
VIEW FOR INFORMATION ON PIN NUMB

TABLE 7-4—(Continued)
RESISTANCE MEASUREMENTS TO CHASSIS GROUND, (AN/SRR-11, -12, and -13)

TUBE SYMBOLS	RESISTANCE VALUES GIVEN IN OHMS (K = 1000 OHMS)								REMARKS
	PIN NUMBERS								
	1	2	3	4	5	6	7	8	
V101	130K	320	*	—	24K	*	34K	—	AN/SRR-11 only
V126	140K	350	0	—	33K	*	33K	—	AN/SRR-11 only
V151	4 to 190	470	0	27K	32K	*	32K	—	AN/SRR-11 only
V201	33K	2200	6.5	—	68K	*	500K	—	AN/SRR-11 only
V301	140K	180	*	180	70K	*	70K	—	AN/SRR-12 only
V326	140K	180	*	180	70K	*	70K	—	AN/SRR-12 only
V351	400K	180	*	22K	70K	*	70K	—	AN/SRR-12 only
V352	800K	—	*	—	450	*	—	70K	AN/SRR-12 only
V401	36K	2.2K	*	2.2K	47K	4	47K	—	AN/SRR-12 only
V501	65K	145	*	—	70K	*	70K	—	AN/SRR-13 only
V526	60K	250	*	—	70K	*	70K	—	AN/SRR-13 only
V551	450K	180	*	22K	70K	*	70K	—	AN/SRR-13 only
V552	450K	—	*	—	460	*	—	70K	AN/SRR-13 only
V601	12K	*	0	—	70K	6.5	70K	—	AN/SRR-13 only
V701	100K	470	*	35	27K	*	39K	470	Band I and IV AN/SRR-11 only
V801	9K	180	*	1.4	—	*	—	170	AN/SRR-12 only
V901	10K	180	*	1.6	70K	*	83K	180	AN/SRR-13 only
V1001	1 Meg	270	*	270	70K	*	70K	270	
V1002	1 Meg	270	*	270	70K	*	70K	270	
V1003	1 Meg	260	*	260	70K	*	70K	260	
V1004	4700	1000	*	4700	120K	*	120K	1050	
V1005	35K	*	*	*	—	—	—	—	
V1006	*	*	*	0	—	—	—	—	
V1007	70K	Inf	*	Inf	500	*	Inf	70K	
V1101	47K	39K	39K	1.4 Meg	—	—	—	—	
V1102	100K	Inf	*	Inf	900	*	Inf	120K	
V1103	600K	39K	39K	400K	—	—	—	—	
V1104	1 Meg	Inf	*	Inf	6200	*	Inf	300K	
V1105	1 Meg	Inf	*	Inf	750	*	Inf	130K	
V1106	500K	*	*	90K	—	—	—	—	
V1107	500K	*	*	90K	—	—	—	—	
V1108	1 Meg	Inf	*	Inf	12K	*	Inf	45K	
V1109	450K	300	*	300	70K	*	70K	300	
V1201	2200K	—	*	—	470	*	—	50K	Cal "ON" AN/SRR-13 only
V1202	33K	—	*	—	470	*	—	50K	Cal "ON" AN/SRR-13 only
V1301	85K	1000	*	1000	85K	*	90K	1000	
V1401	1 Meg	Inf	*	Inf	470	*	Inf	82	Cal "ON" AN/SRR-11 only
V1402	180K	2500 to 7500	*	180K	43K	*	43K	2500 to 7500	Cal "ON" AN/SRR-11 only
V1501	2 Meg	—	*	—	460	*	—	80K	Cal "ON" AN/SRR-12 only
V1502	30K	—	*	—	460	*	—	80K	Cal "ON" AN/SRR-12 only
V1601	60	—	0	0	—	60	36K	—	
V1602	60	—	0	0	—	60	36K	—	
V1603	40K	—	—	0	—	—	—	—	

* Less than one ohm

6. REMOVING AND REPLACING ASSEMBLY COVERS AND ASSEMBLIES.

a. REMOVING ASSEMBLY COVERS.—Remove the captive screws which hold the cover to the assembly. These captive screws have Phillips heads and are set in the cover.

CAUTION

When removing the cover from the first i-f assembly, first remove the assembly, then remove the cover.

b. REMOVING AND REPLACING ASSEMBLIES.—(Refer to figures 7-3, 7-4, and 7-5.)

(1) POWER SUPPLY AND CRYSTAL CALIBRATOR ASSEMBLIES.—Release the captive screws on the assembly and ease the assembly out of its socket.

When replacing the assembly, orient it to its position in the chassis. Use the connector on the assembly and corresponding socket on the chassis as guides. Seat the assembly, and tighten the captive screws.

(2) AUDIO, 2ND IF, AND BFO ASSEMBLIES.—Set the RECEPTION control to the ^{AI MEDIUM} ~~AZ~~ position, release the captive screws on the assembly, and lift the assembly out of the chassis.

When replacing the assembly, orient it to its position in the chassis. Use the connector on the assembly and corresponding socket on the chassis as guides. Set the RECEPTION control to the ^{AI MEDIUM} ~~AZ~~ position, and seat the assembly. Be sure that the crank arms in the assembly are set properly to engage the RECEPTION control bar. Tighten the captive screws.

(3) ANTENNA, R-F, MIXER, OSC, AND FIRST I-F ASSEMBLIES.—Set the band switch to Band V, then place the chassis in the servicing position which will give access to the bottom of the receiver. Disconnect the tuning capacitor strap leads of the box to be removed. Release the three captive screws holding the box in position, and ease the box out. (When removing the mixer or oscillator box from the AN/SRR-13, remove link O603 before releasing the captive screws.) To replace the box, set the band switch to Band V and follow the removal procedure in reverse order.

7. REMOVING AND REPLACING PLUG-IN SUB-ASSEMBLIES.

Two types of plug-in sub-assemblies are used in Radio Sets AN/SRR-11, -12, -13: the plug-in units as found in the BFO, crystal calibrator, first i-f, second i-f, and audio assemblies; and the plug-in boards as found in the antenna, r-f, mixer, and oscillator assemblies.

a. REMOVING A PLUG-IN UNIT.—First remove the assembly containing the plug-in unit; then depress the center of the release bar at the top of the unit, and twist the bar a quarter of a turn. Grip the center of the bar with thumb and index finger, and pull the unit out of its position. In some cases where it is difficult to remove the plug-in unit, it may be necessary to also push gently on the opposite (socketed) end while removing. See figure 7-6.

b. REPLACING A PLUG-IN UNIT.—Orient the plug-in unit so that the connecting pins on its base (labeled A, B, C, D etc.) line up with the corresponding socket terminals on the chassis. This will occur when the arrow on the top cover of the plug-in unit points to the white dot at the side wall of the corresponding compartment in the chassis. Push the unit in place, and, while depressing the release bar, twist the bar a quarter of a turn. The ends of the bar will then fit into the slotted holes in the metal compartment.

c. REMOVING A PLUG-IN BOARD.—First remove the cover of the assembly, then pull the plug-in board from its position by gripping the metal bar and post at the ends of the board.

d. REPLACING A PLUG-IN BOARD.—Turn the board so the pins fit over the holes in the assembly, and carefully insert the board in place. Replace the cover plate.

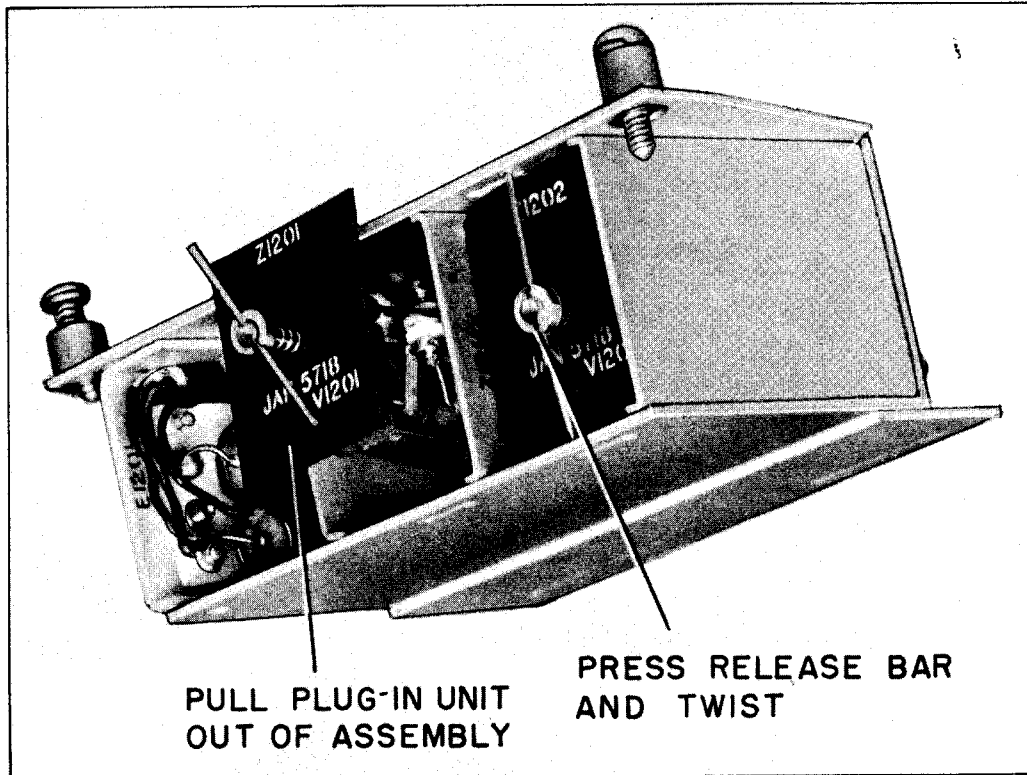
8. CHANGING ELECTRON TUBES.

All electron tubes used in Radio Sets AN/SRR-11, -12, -13 are of the subminiature type, with exception of those in the power supply. The subminiature tubes are soldered into the sub-assemblies and cannot be tested in the conventional manner. The stage gain measurements given in Table 7-3 are a good indication of the condition of the tubes.

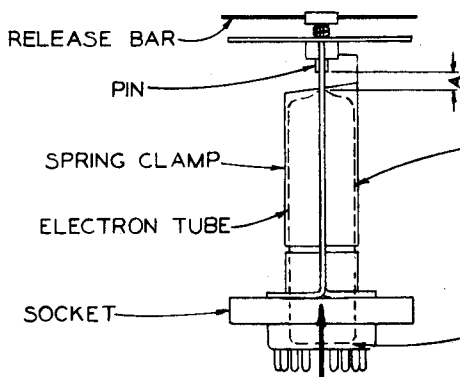
It is recommended that a faulty stage be replaced with a spare (either a plug-in unit or a plug-in board) after trouble is isolated to a particular stage. However, procedure for changing these subminiature tubes is given below.

The electron tubes in the power supply are easily checked in a standard tube tester, and should be replaced with a spare of the same type when found to be faulty.

Two types of subminiature tubes are used in this equipment, the eight-pin base and four-pin base, shown in figure 7-6.



(A)

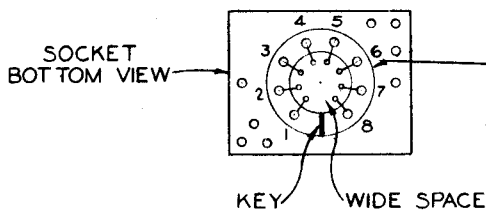


1 - REFER TO THE APPROPRIATE SCHEMATIC AND CONNECTION DIAGRAM AND CLIP OFF TUBE LEADS NOT USED.

2 - INSERT TUBE UPWARD INTO SOCKET AND SPRING CLAMP, TIP END FIRST.

3 - POSITION TUBE BOTTOM TO BE SLIGHTLY ABOVE BOTTOM EDGE OF SOCKET.

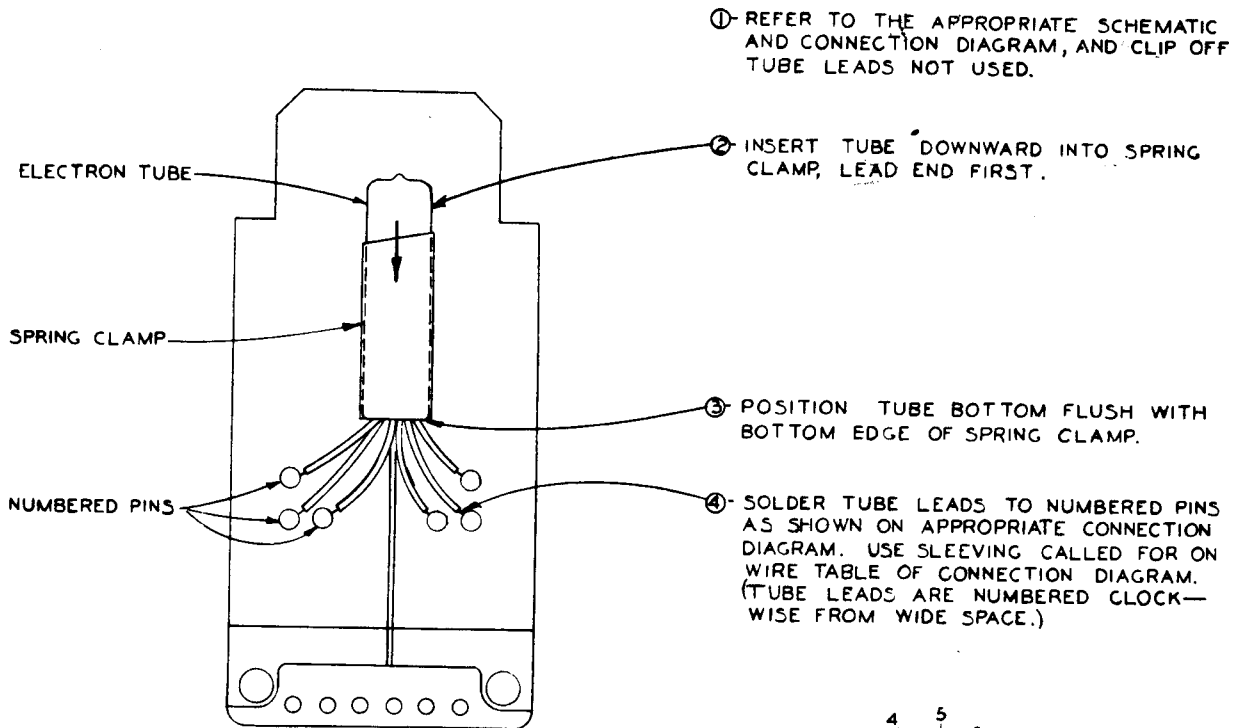
ON Z1109 WHICH USES A TYPE 5902 ELECTRON TUBE, DEPRESS THE RELEASE BAR AND POSITION THE TUBE SO THAT THE CLEARANCE BETWEEN THE PIN AND THE TUBE TOP (DIMENSION A) IS 1/8 INCH



4 - SOLDER TUBE LEADS TO SOCKET PINS. LINE UP WIDE SPACE AND SOCKET KEY.

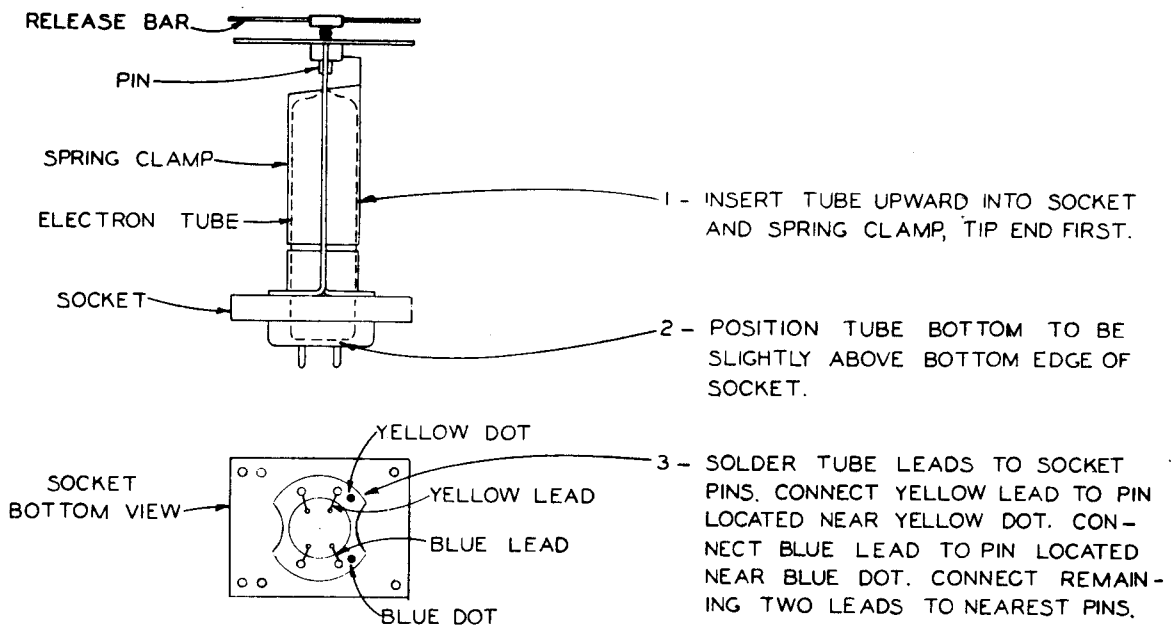
(B)

Figure 7-6 (A, B). Removing and Replacing Plug-in Units and Electron Tubes



(BOTTOM VIEW)

(C)



(D)

Figure 7-6 (C, D). Removing and Replacing Plug-in Units and Electron Tubes

TABLE 7-5. TUBE OPERATING VOLTAGES AND CURRENTS, (AN/SRR-11, -12, and -13)

TUBE SYMBOLS	TUBE TYPE	FUNCTION	PLATE VOLTS	PLATE MA	SCREEN VOLTS	SCREEN MA	SUP-PRESSOR VOLTS	CATH-ODE VOLTS	GRID VOLTS	HEATER VOLTS AC
V101	5899	Antenna Preamplifier	120	1.6	120	1.4	—	2.1	—	6.3
V126	5899	R-F Amplifier	120	1.6	120	1.7	—	2.1	—	6.3
V151	5636	Mixer	120	2.2	110	3.0	-1.7	2.4	—	6.3
V201	5840	Oscillator	95	0.7	22	0.15	—	2.4	-0.8	6.3
V301	5899	Antenna Preamplifier	120	7.2	120	—	0	1.3	—	6.3
V326	5899	R-F Amplifier	120	7.2	120	—	0	1.3	—	6.3
V351	5719	Mixer	120	7.2	120	—	0	1.3	—	6.3
V352	5636	Mixer Cathode Follower	95	1.6	—	—	0	0.6	—	6.3
V401	5840	Oscillator	90	9.3	90	3.5	0	—	—	6.3
V501	5899	Antenna Preamplifier	101	7.0	100	1.6	—	1.4	0	6.3
V526	5899	R-F Amplifier	106	4.7	106	2.0	—	1.9	0	6.3
V551	5636	Mixer	112	2.2	107	5.5	-4.4	1.3	0	6.3
V552	5719	Mixer Cathode Follower	108	5.0	—	—	—	2.3	0	6.3
V601	5840	Oscillator	90	6.5	92	3.5	—	0	-10	6.3
V701	5636	I-F Amplifier	100	0.85	80	1.3	0	1.5	-6	6.3
V801	5636	I-F Amplifier	120	4.5	120	—	0	0.8	—	6.3
V901	5636	I-F Amplifier	107	3.6	72	3.1	0	1.5	-0.66	6.3
V1001	5899	2nd I-F Amplifier	120	5.5	120	—	0	1.6	—	6.3
V1002	5899	2nd I-F Amplifier	120	5.5	120	—	0	1.5	—	6.3
V1003	5899	2nd I-F Amplifier	120	6.3	120	—	0	1.7	—	6.3
V1004	5636	BFO Mixer	120	1.9	120	—	0	1.9	—	6.3
V1005	5647	Diode Detector	—	—	—	—	—	—	—	6.3
V1006	3647	Delay AGC	—	—	—	—	—	—	—	6.3
V1007	5718	2nd I-F Cathode Follower	120	4.8	—	—	—	2.2	—	6.3
V1101	5647	Noise Peak Limiter	—	—	—	—	—	—	—	6.3
V1102	5718	Audio Amplifier	120	1.2	—	—	—	1.0	—	6.3
V1103	5647	Silencer Diode	120	0.2	—	—	—	—	—	6.3
V1104	5719	D-C Amplifier	120	0.3	—	—	—	2.0	—	6.3
V1105	5718	Audio Amplifier	120	1.0	—	—	—	0.8	—	6.3
V1106	5647	Series Limiter	120	0.02	—	—	—	11.0	—	6.3
V1107	5647	Series Limiter	120	0.02	—	—	—	11.0	—	6.3
V1108	5719	Driver Amplifier	120	0.1	—	—	—	0.8	—	6.3
V1109	5902	Beam Power Output	120	29.7	120	2.0	0	9.0	—	6.3
V1201	5718	Crystal Calibrator	74	4.7	—	—	—	3.1	+1.6	6.3
V1202	5718	Crystal Calibrator	74	4.7	—	—	—	3.1	+1.6	6.3
V1301	5719	BFO	96	3.9	—	—	—	3.1	-5.3	6.3
V1401	5718	Crystal Calibrator	40	1.0	—	—	—	0.4	-28	6.3
V1402	5636	Crystal Calibrator	90	0.1	90	0.6	-1.0	3.6	0	6.3
V1501	5718	Crystal Calibrator	120	1.2	—	—	0	1.5	—	6.3
V1502	5718	Crystal Calibrator	120	2.0	—	—	0	1.5	—	6.3
V1601	6X4	Rectifier	220	—	—	—	—	—	—	6.3
V1602	6X4	Rectifier	220	—	—	—	—	—	—	6.3
V1603	5644	Voltage Regulator	120	5.0	—	—	—	—	—	—

NOTE—Type 5647 electron tubes V1005, V1101, V1103, V1106, and V1107 are replaced by type 1N458 crystal diodes in type AN/SRR-11 equipments bearing serial numbers 1276 and subsequent, and in type AN/SRR-13A equipments bearing serial numbers 1431 and subsequent.

NOTE.

ALL TUBES OF A GIVEN TYPE SUPPLIED WITH THE EQUIPMENT SHALL BE CONSUMED PRIOR TO EMPLOYMENT OF TUBES FROM GENERAL STOCK.

a. REPLACING EIGHT-PIN TUBES.—Procedure for changing the eight-pin tubes on the plug-in boards (antenna, r-f, mixer, and oscillator assemblies) is different from that for changing the eight-pin tubes mounted in the plug-in units (second i-f and audio assemblies etc). Each is described separately.

(1) TUBES ON R-F BOARDS.—Refer to figure 7-6a, to the connection diagram and schematic for the particular r-f board, then unsolder the tube leads at the terminals. Remove the subminiature tube from the metal shield, and replace it with a spare of the same type. Solder lead 1 to terminal 1, lead 2 to terminal 2, etc. The leads are numbered clockwise from the wide separation. Those leads that are not used should be cut off close to the bottom of the subminiature tube.

(2) TUBES IN PLUG-IN UNITS.—Refer to figure 7-6b, to the appropriate connection diagram and schematic. Remove the plug-in unit from the major assembly and unsolder the eight leads at the terminals on the tube base. Pull the tube through the hole in the base of the plug-in unit, and replace with a spare of the same type. Orient the tube so that the widest space between the leads is opposite the raised key on the socket. Then solder lead 1 to terminal 1, lead 2 to terminal 2, etc. Leads are numbered clockwise starting from the left of the key. Replace the plug-in unit in its assembly. In the par-

ticular instance of Z1109, which utilizes a type 5902 electron tube, depress the locking pin at the top of the unit, then insert the tube until its tip just clears the end of the pin. All other tube types are inserted to the extent that the base is approximately flush with the shield.

b. REPLACING FOUR-PIN TUBES.—The four-pin tubes all are located in plug-in units. Refer to the appropriate connection diagram, schematic diagram, and to figure 7-6c. Remove the plug-in unit from the assembly and unsolder the four leads at the terminals on the tube base. Pull the tube through the hole in the base of the plug-in unit, and replace it with a spare of the same type. Orient the tube so that the blue lead is nearest the blue dot on the socket, and the yellow lead is nearest the yellow dot on the socket. Then solder each of the four leads to the nearest terminal.

The leads of the four-pin type subminiature tube are numbered consecutively beginning from the blue lead (terminal 1) and proceeding clockwise to the yellow lead (terminal 4).

9. REMOVING AND REPLACING PILOT LIGHT, DIAL LIGHTS, AND CRYSTALS.

a. PILOT LIGHT AND CRYSTALS.—First remove the pilot light cover or the cover of the assembly in which the crystal lies, then remove the bulb or crystal by use of the rubber plunger (H260, H460, or H660) located near the Allen wrenches on the left inner wall of the chassis (see figure 7-7a). This plunger has an opening at each end. Place the end having the proper size opening over the crystal or bulb and press on the plunger until it grips the crystal or

TABLE 7-6. RATED TUBE CHARACTERISTICS

TUBE TYPE	FILA-MENT VOLT-AGE (V)	FILA-MENT CUR-RENT (A)	PLATE VOLT-AGE (V)	GRID BIAS (V)	SCREEN VOLT-AGE (V)	PLATE CUR-RENT (MA)	SCREEN CUR-RENT (MA)	A-C PLATE RESIST-ANCE (OHMS)	VOLT-AGE AMPLI-FICATION FAC-TOR (MU)	TRANSCON-DUCTANCE (MICROMHOS)		EMISSION	
										NOR-MAL	MINI-MUM	IS (MA)	TEST VOLT
6X4	6.3	0.6	450	—	—	70	—	—	—	—	—	45	6
5636	6.3	0.15	100	-1	100	4	5.8	50K	—	3200	2700		
5644	—	—	95	—	—	5	—	—	—	—	—		
5647	6.3	0.15	150	—	—	9	—	—	—	—	—		
5718	6.3	0.15	100	-1.2	—	8.5	—	4650	27	5800	4800		
5719	6.3	0.15	100	-2.5	—	0.73	—	41K	70	1700	1400		
5840	6.3	0.15	100	-1.5	100	7.5	2.4	280K	—	5000	4100		
5899	6.3	0.15	100	-1.1	100	7.2	2.2	260K	—	4500	3800		
5902	6.3	0.45	110	-8.7	110	30	2.2	15K	—	4200	3200		

bulb. Then remove the bulb or crystal by pulling or twisting the plunger as necessary.

b. **DIAL LIGHTS.**—To change the dial light, proceed as follows:

(1) Pull the receiver chassis partly out of its cabinet. Behind the tuning dial, accessible from the upper side of the chassis, is the cover of the dial light compartment (marked I3601, I3602, X3601, X3602, or I3701, I3702, X3701, X3702, or I3801, I3802, X3801, X3802, depending on the receiver type). This is shown in figure 7-7a.

(2) Loosen the two captive screws (A and B of figure 7-7a) which retain the dial light cover. Slide the cover forward so that its two keyhole-shaped openings clear the captive screws, then lift off the cover.

(3) Replace the bad bulb or bulbs by using the small plunger (H260, H460, or H660) as described for pilot light and crystal removal. Then perform the adjustments given in step (4).

(4) Refer to figure 7-7b. Either one of the two lamps can be placed in operating position by means of the LAMPS switch at front panel control (S3601, S3701, or S3801). There is one pair of red-headed screws C, D on each side of the lamp support frame. In each pair, the larger of the two screws (C) moves the corresponding lamp forward or backward, while the smaller screw (D) moves the lamp upward or downward. The lamp is centered properly when a paper held between the focusing lens and the mirror, perpendicularly to the light beam, will show a well-defined circular illuminated area.

10. REMOVING AND REPLACING THE TUNING DIAL.

See figure 7-7. When faulty operation of the mechanisms require replacement of the tuning dial, procure the following tools: a screwdriver (6-inch blade) a Phillips head screwdriver (6-inch blade) and two pieces of fine string (6 inches long and 2 feet long); then proceed as follows:

a. Set the band switch to Band III, then slide the chassis out of its cabinet. Set LAMPS switch to SPARE position.

b. On the top side of the chassis, unhook the spring O3606, O3706, or O3806 (figure 7-7a) from the left side of the lens arm assembly O3608, O3708, or O3808, and tie a 6-inch piece of string from the end of the spring to the bracket supporting the lens arm assembly, to prevent the spring from falling into the center of the chassis. Set the NORMAL-SPARE knob to the "Spare" position, then swing the lens arm assembly open, and tie a piece of string from the end of the lens arm assembly to the right-hand front handle of the chassis.

c. Refer to figure 7-7c. Using one of the Allen wrenches that are clipped to the side of the chassis, loosen the two set screws C, D on the coupling connector between the tuning dial output shaft and the tuning capacitor input shaft.

d. Remove the two strings connected in step *b*, and return the lens arm assembly to its original position.

e. Refer to figure 7-7d. On the bottom side of the chassis, disconnect the two wires (spade connectors) on the terminal board E251 or E451 or E651.

f. Loosen the four captive screws (marked E, F, G, H in figure 7-7) on the mounting brackets which hold the tuning dial to the chassis.

g. Remove the rack from the operate bar by removing the two Allen-head screws (K, L in figure 7-7d).

b. Return the chassis to horizontal position and remove the six Phillips-head screws from the front of the dial assembly.

i. Ease the tuning dial assembly out of the receiver. Be careful not to catch or tear any of the grounding springs, gears, or mechanism of the dial.

j. To replace the tuning dial, make certain that the band switch is set to Band III, and follow the reverse of the procedure just described, being careful that the tuning capacitor shaft and the dial coupling are aligned (extreme care must be exercised to insure that no strains are set up in the coupling). Check the gears and controls on the dial assembly for free movement. When replacing the rack on the operate bar, be sure the teeth mesh properly with little or no play. Do not tighten the set screw in the coupling or the captive screws in the mounting brackets until the dial is aligned (see step *j*). When lowering lens arm assembly be sure the linkage of the NORMAL-SPARE knob is properly engaged with the lens arm stud.

k. After the tuning dial has been installed, it will have to be aligned as outlined in paragraph 11 of this section. Start with step *c* of the procedure outlined in Paragraph 11.

11. ALIGNMENT OF THE TUNING DIAL.

(See figure 7-7).

a. Set the band switch to Band III. Set CAL ADJUST to the ZERO position.

b. Loosen the Allen head set screws C, D on the coupling connector between the dial assembly output shaft and the tuning capacitor input shaft; also loosen the captive screws E, F, G, H in the mounting brackets.

c. Set the tuning capacitor to maximum capacitance by turning the arm on the capacitor input shaft to the extreme counterclockwise position.

d. Rotate the tuning knob of the dial assembly to the extreme counterclockwise position; then release the stop by lifting the follower arm (see figure 7-7d) and continue to rotate the knob counterclockwise until the linear scale (lowest scale) reads 83.

e. Tighten the coupling set screws and the captive screws in the bracket.

f. Refer to figure 7-7b. Adjust the mirror assembly so that the vertical line of the projected dial coincides with the index line on the screen, and the upper one of the two short horizontal lines is about $\frac{1}{32}$ inch below the top of the window (the end screws M, N that mount the mirror assembly will allow adjustment of the vertical line, and the screw O, directly behind the mirror will adjust the centering of the horizontal lines).

g. If the projected image is out of focus, adjust the projection lens to correct this by loosening the two set screws P, Q and moving the lens by hand until the image is in focus.

b. Tighten the two set screws P and Q.

i. Rotate the tuning knob until the zeros of each scale on the tuning dial coincide.

12. REMOVING AND REPLACING THE TUNING CAPACITORS.

First remove the tuning dial as outlined in paragraph 10 of this section, then remove the crystal calibrator assembly, and place the chassis in the servicing position so as to have access to the bottom of the receiver. Remove the tuning capacitor straps connected to the antenna, r-f, mixer, and oscillator. Remove the oscillator and first i-f boxes. Remove the three nuts which are threaded to the capacitor mounting studs, while holding the tuning capacitor. Ease the tuning capacitor out, being careful not to catch its straps on any of the other components. To replace the tuning capacitor use the reverse of the procedure just described.

13. ALIGNMENT OF WAFER SWITCHES.

See figure 7-8.

a. RECEPTION CONTROL SWITCHES—Three wafer switches in the second i-f assembly, two in the audio assembly, and one in the BFO are moved when the RECEPTION control is rotated. If these switches are not properly aligned mechanically, the controlled

effect for a particular emission will not be obtained. Use one of the two following rules to line up the wafer switches.

(1) If the normal rotation of the wafer is counterclockwise (with the rotating section of the wafer switch facing the viewer) when the RECEPTION control is switched through A1 BROAD, A1 SHARP, A2, etc., set the RECEPTION control at A1 BROAD. Loosen the Allen screw that holds the switch arm to the shaft, and turn the shaft until the red dot on the rotor is lined up with the red dot on the switch stator. Then move the switch shaft one position counterclockwise, with the rotor section of the wafer switch facing the viewer, and tighten the Allen screw.

(2) If the normal rotation of the wafer is clockwise (with the rotating section of the wafer switch facing the viewer) when the RECEPTION control is switched through A1 BROAD, A1 SHARP, A2, etc., set the RECEPTION CONTROL at A1 BROAD and loosen the Allen screw that holds the switch arm to the shaft. Turn the shaft until the black dot on the rotor is lined up with the black dot on stator. Then move the switch shaft one position clockwise with the rotor section of the wafer switch facing the viewer and tighten the Allen screw. Figure 7-8A shows the correct orientation of the rotors when the reception switch is in the A1 BROAD position.

~~a~~ b. BAND SELECTOR SWITCHES.—The band selector controls the wafer switches in the antenna, r-f, mixer, oscillator, and 1st i-f assemblies by mechanical movement of the operate bar, which in turn moves the switch arm of each assembly to obtain the desired switching. Each switch has six detent positions, only the last five of which are used on these receivers. If a switch goes out of alignment, re-align it by the following procedure:

(1) Remove the assembly or assemblies in which switch misalignment occurs.

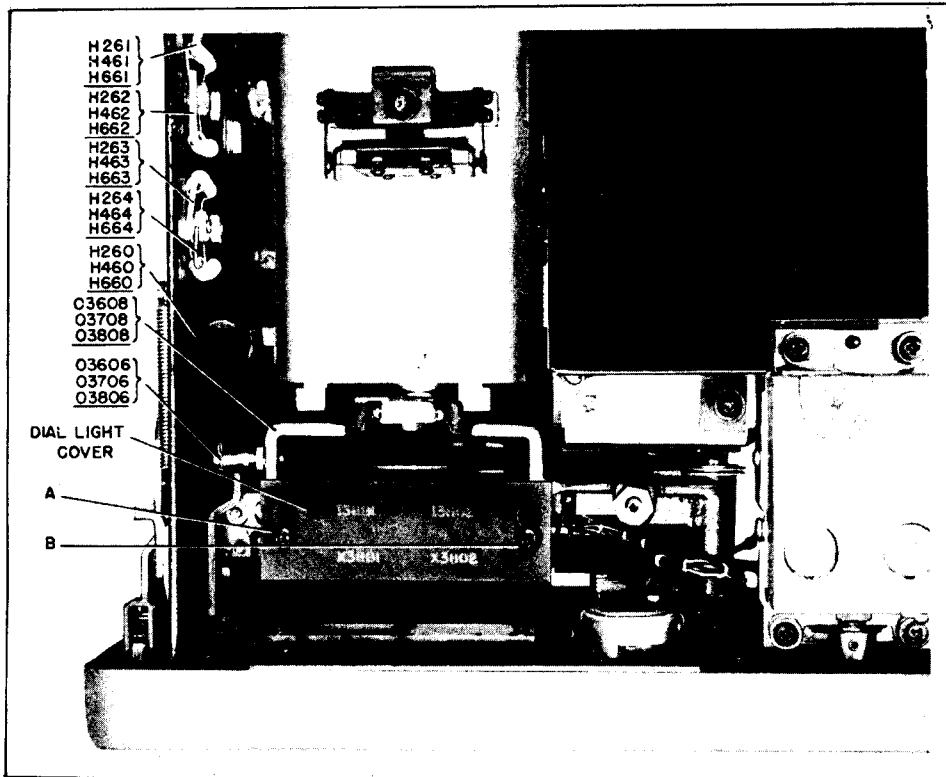
(2) For the antenna, r-f, mixer, and local oscillator assemblies, first set the switch to its extreme clockwise position; for the first i-f assembly, set the switch to its extreme counterclockwise position.

(3) Next, turn the switch back two positions. Loosen the Allen clamp screw on the switch arm, set the switch arm to a vertical position, and tighten the Allen clamp screw.

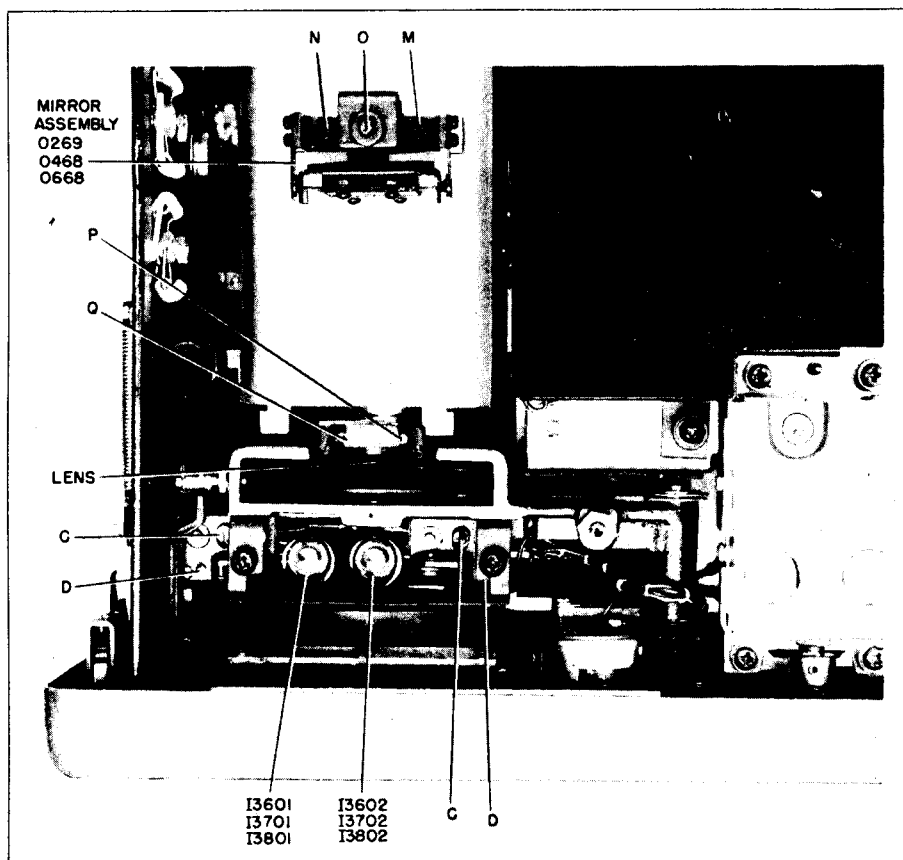
(4) Set the band switch to Band III, then insert the assembly into its proper position in the chassis and engage the switch arm with the operate bar.

14. RECEIVER ALIGNMENT.

When aligning the AN/SRR-11, -12, or -13 receivers, follow the procedure given in this paragraph in the order given. Since the second i-f and BFO circuits of all three types of receivers use the same frequencies, a common procedure is given, but separate procedures are given for alignment of the first i-f assemblies, crystal controlled calibrators, and

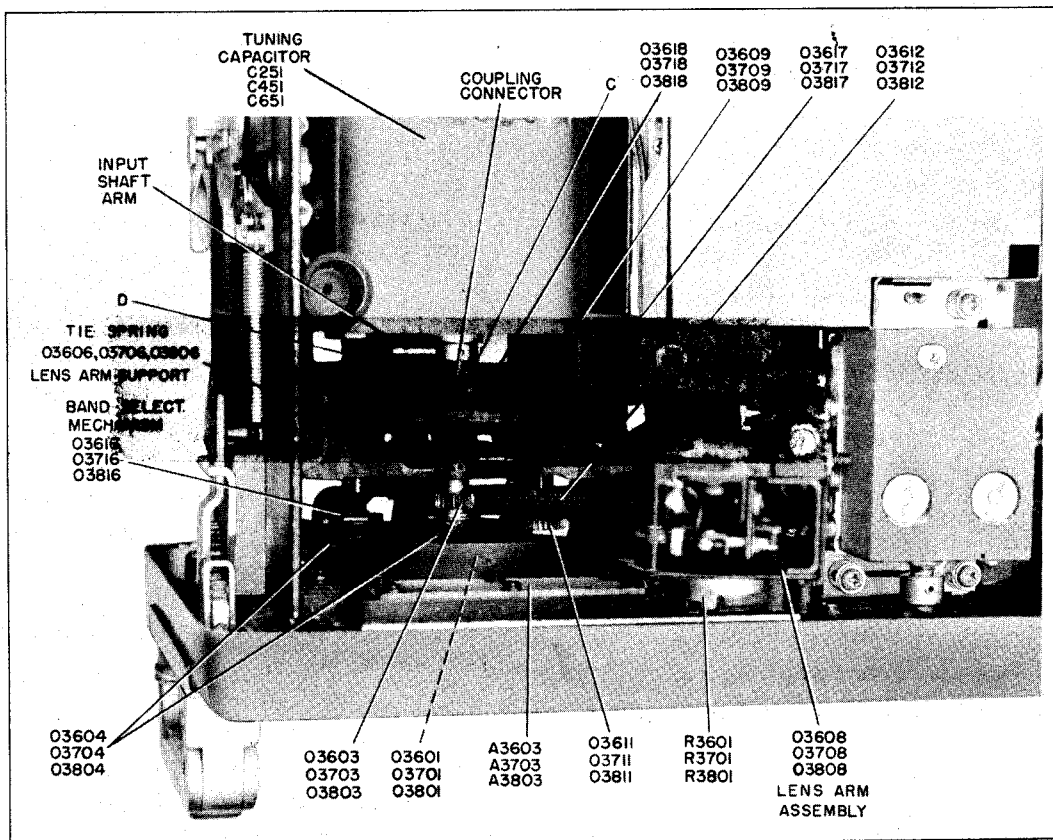


(A)

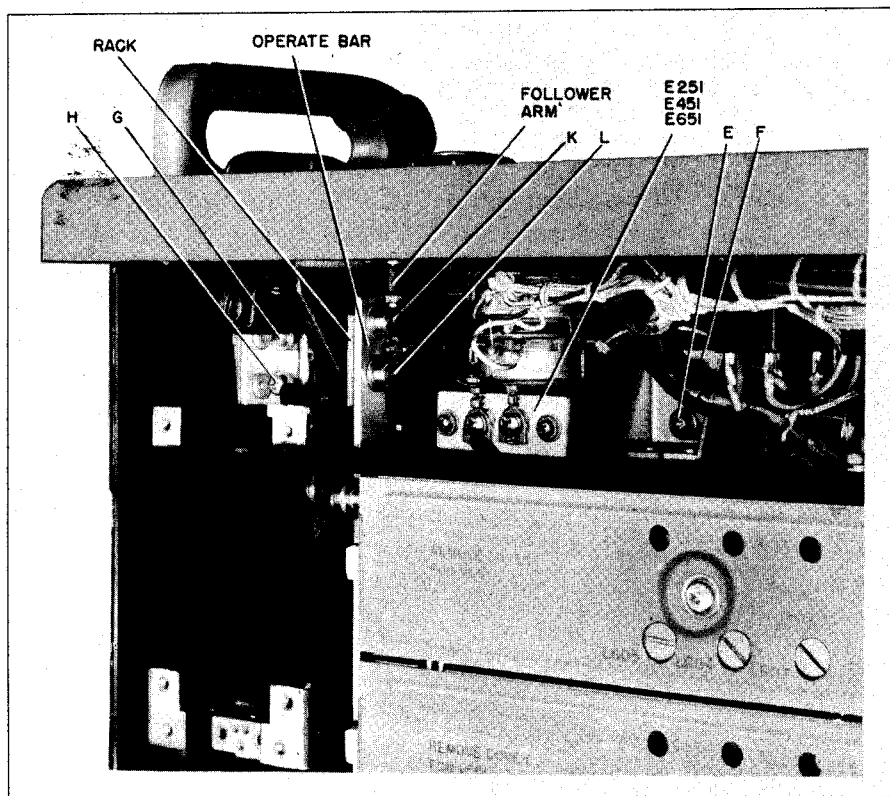


(B)

Figure 7-7 (A, B). Removal and Replacement of the Tuning Dial



(C)



(D)

Figure 7-7 (C, D). Removal and Replacement of the Tuning Dial

r-f amplifiers. Refer to figures 7-1 (sheets 1 and 2) and 7-8 for alignment points of the AN/SRR-11, -12, and -13. Refer also to the appropriate schematic diagrams.

a. LIST OF EQUIPMENT FOR RECEIVER ALIGNMENT.

- (1) An electronic voltmeter similar to item 2 of Table 7-1.
- (2) An oscilloscope similar to item 6 of Table 7-1.
- (3) A signal generator similar to item 3 of Table 7-1.
- (4) An audio oscillator similar to item 4 of Table 7-1.
- (5) A frequency meter similar to item 5 of Table 7-1.
- (6) 2 capacitors (1.0 mf approx.)
- (7) 1 capacitor (680 mmf approx.).
- (8) 1 capacitor (39 mmf approx.).
- (9) 1 jumper lead (6 inches of number 22 wire approx.).

b. I-F ALIGNMENT.

- (1) Set the RECEPTION control to ~~A2~~^{A1 MEDIUM}, and the band switch to III.
- (2) Connect the electronic voltmeter as an output indicator measuring the d-c voltage at the detector output (Z1012-E and ground).
- (3) Connect the output of the signal generator to Z1008-A. Use a 1.0-mf capacitor in series with this and all signal generator connections in this paragraph 6. (Check the frequency with the frequency meter).
- (4) Set the signal generator to a fixed frequency of 200 kc and adjust the signal level to obtain a reading on the voltmeter which lies within the 0 to 10-volt range (at all times throughout this procedure the signal generator level should be adjusted to a reading within the 0 to 10-volt range of the voltmeter).
- (5) Connect a shunting capacitor of approximately 680 mmf from Z1012-F to ground.
- (6) Tune L1013 for maximum detector output as indicated on the voltmeter.
- (7) Remove the shunting capacitor from Z1012-F and tune T1013 for maximum detector output.
- (8) Move the signal generator output to Z1006-A and connect the shunting capacitor to Z1008-A and ground.
- (9) Tune L1012 for maximum detector output.

(10) Remove the shunting capacitor from Z1008-A and tune T1012 for maximum detector output.

(11) Move the signal generator output to Z1004-A and connect the shunting capacitor to Z1006-A and ground.

(12) Tune L1011 for maximum detector output.

(13) Remove the shunting capacitor from Z1006-A and tune T1011 for maximum detector output.

(14) Connect a jumper lead from J1001-B to Z1004-A.

(15) (AN/SRR-11 and -12 only.) Move the signal generator output lead to the RF MIXER stage (J152-K of the AN/SRR-11 or J352-K of AN/SRR-12), and tune the 1st^{IF} output transformer (T703 of AN/SRR-11, or T801 of AN/SRR-12) for maximum detector output.

(16) (AN/SRR-13 only.) Move the signal generator output lead to terminal A of Z901, and tune T901 for maximum detector output.

(17) (AN/SRR-11 and -12 only.) Set the band switch to band IV and move the signal generator output to the 1st IF stage (Z701-A or Z801-A), then tune C721 of AN/SRR-11, or C816 of AN/SRR-12 for maximum detector output.

(18) Remove the jumper connected in step (14), then proceed with filter alignment as shown in paragraph 11 *c.*

c. I-F FILTER ALIGNMENT.—This procedure describes the alignment of the sharp, medium, and broad filters (Z1001, Z1002, and Z1003) of the second I-F assembly, and the band-pass filter of the first I-F assembly. The sharp and medium filters of the 2nd IF are sealed units but have a common tuning capacitor (C1029); therefore one adjustment is used for the alignment of both of these filters.

Connect an electronic voltmeter (item 2 of Table 7-3) to pin E of Z1012 and ground so as to read the output of the detector, then proceed as follows:

(1) SHARP, MEDIUM, AND BROAD FILTERS OF SECOND I-F ASSEMBLY.

(a) Set the RECEPTION control to A1 SHARP, and the band switch to band IV.

(b) Connect a signal generator to the 1st I-F stage (Z701-A of AN/SRR-11, Z801-A of AN/SRR-12, or Z901-A of AN/SRR-13). Place a 1.0-mf capacitor in series with this and all connections in this paragraph *c.*

(c) Set the signal generator to a fixed frequency of 200 kc and adjust the signal level to obtain a reading on the 0 to 10-volt range of the voltmeter.

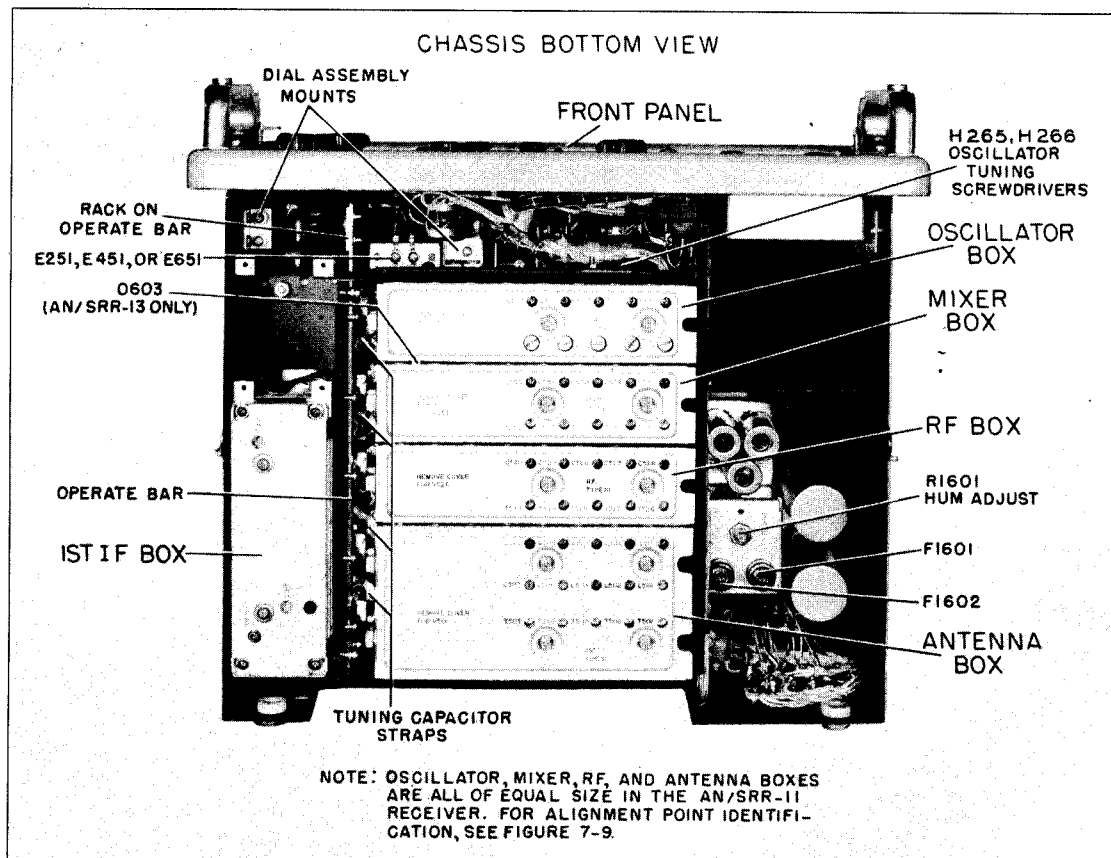
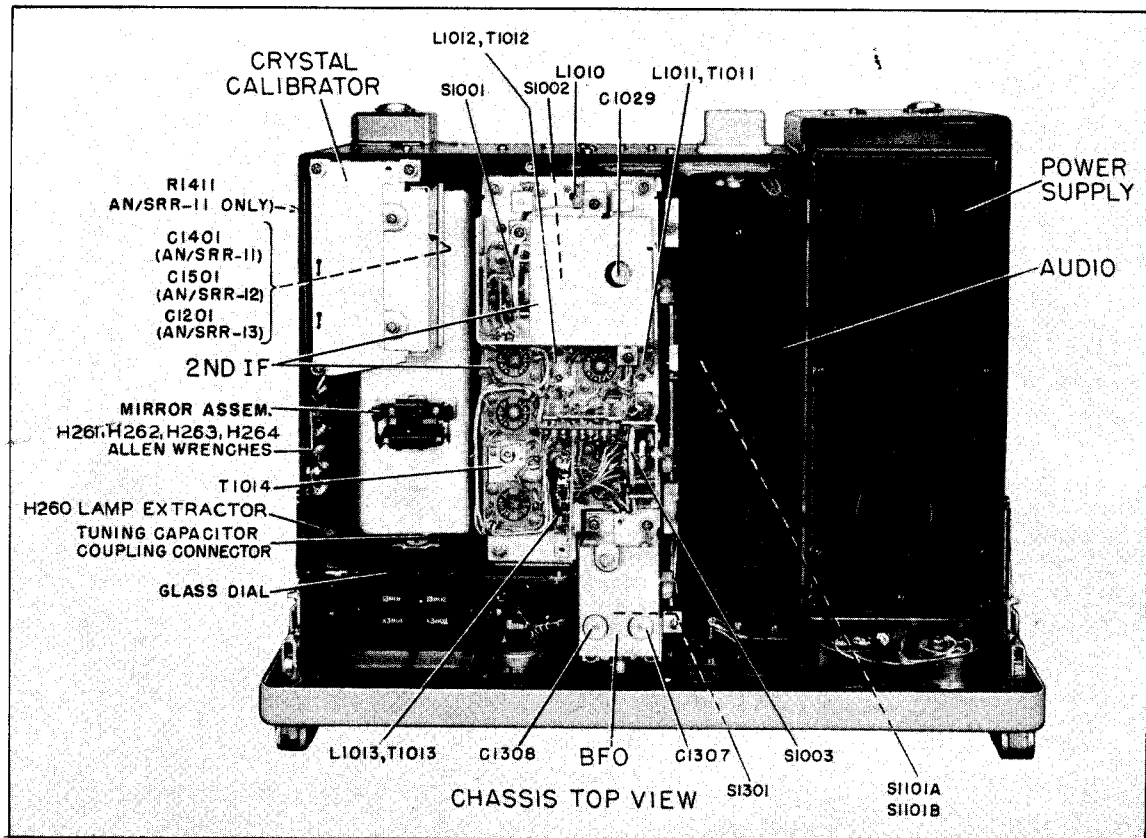


Figure 7-8. Receiver Component Location (Top and Bottom View)

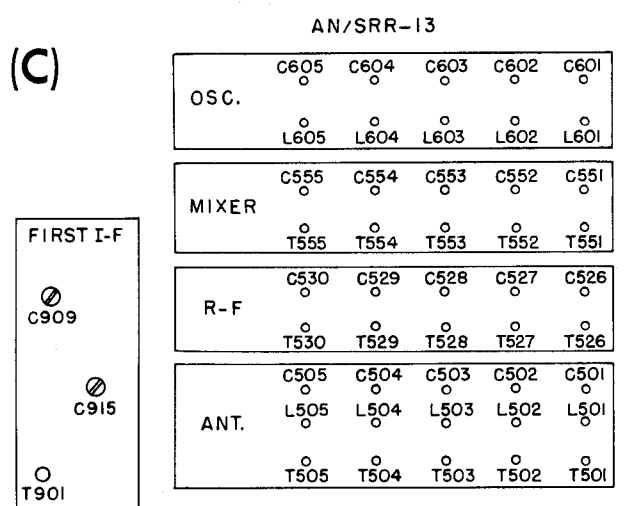
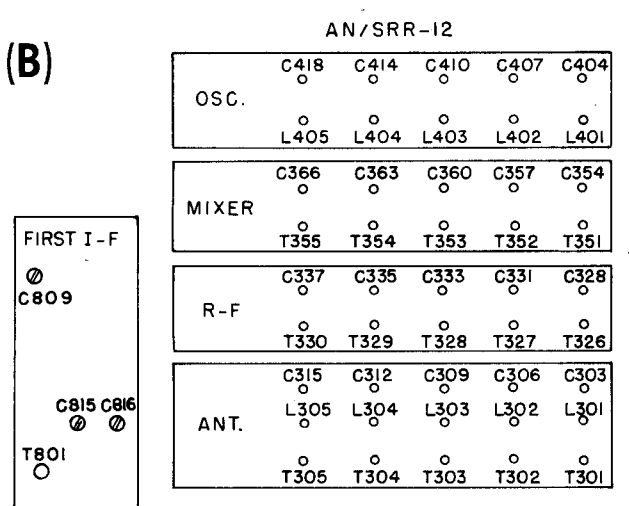
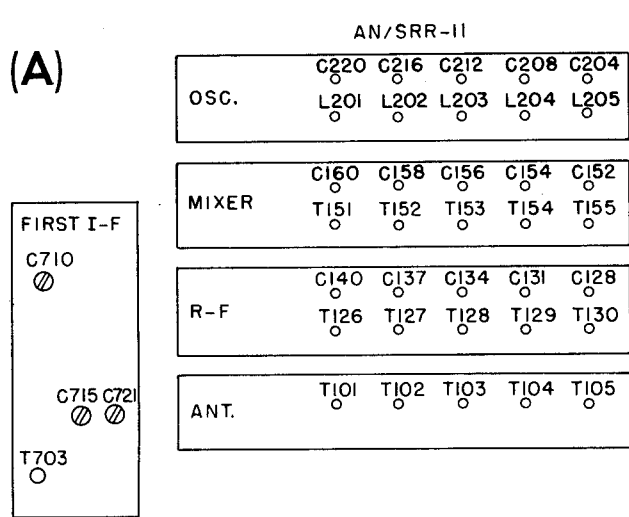


Figure 7-9. R-F Alignment Points

(d) Adjust C1029 for a maximum output indication on the voltmeter.

(e) Set the RECEPTION control to the A3 BROAD position (steps (e) and (f) do not apply to the AN/SRR-11, as the broad filter of the 2nd IF is not used in this set).

(f) Adjust L1010 for a maximum output indication on the voltmeter.

(2) FIRST IF BAND-PASS FILTER.—Set the band switch to band IV and connect the signal generator to the RF MIXER stage (J152-K of AN/SRR-11, J352-K of AN/SRR-12, or J552 of AN/SRR-13), then proceed as follows:

(a) (AN/SRR-11): Set the signal generator to a fixed frequency of 60 kc and adjust C710 and C715 for a maximum output reading on the voltmeter.

(b) (AN/SRR-12): Set the signal generator to a fixed frequency of 1600 kc and adjust C809 and C815 for a maximum output reading on the voltmeter.

(c) (AN/SRR-13): Set the signal generator to a fixed frequency of 1600 kc and adjust C909 and C915 for a maximum output reading on the voltmeter.

d. BFO ALIGNMENT (AN/SRR-11, -12, -13).

(1) Set the RECEPTION control to A1 BROAD, and turn the FREQ. VERNIER to its zero position.

(2) Apply a 2550-cycle signal from an audio oscillator (similar to item 4 of Table 7-1) to the horizontal input of an oscilloscope (similar to item 6 of Table 7-1). Turn the oscilloscope sync off.

(3) Connect the vertical input of the oscilloscope to pin J of Z1010, and apply a 200-kc signal to V1001-1 (pin A of Z1004) from a generator similar to AN/URM-25 Series. Use a 1.0-mf capacitor in series with these connections.

(4) Adjust C1307 for zero beat. Proceed with steps (5) and (6) when aligning the AN/SRR-12 or -13.

(5) Set the RECEPTION control to FSK.

(6) Adjust C1308 for a circular pattern on the oscilloscope.

e. CRYSTAL CALIBRATOR ALIGNMENT.—Refer to figure 7-1 (sheet 1) for position of adjustments, also to the appropriate schematic diagram. The following procedure gives the alignment for the crystal calibrator oscillator, Z1405 of the AN/SRR-11, Z1501 of the AN/SRR-12, and Z1201 of the AN/SRR-13. It also gives the alignment of the multivibrator Z1402 in the AN/SRR-11 (this circuit does not have an adjustment provided in the AN/SRR-12 and -13 receivers).

(1) CRYSTAL CALIBRATOR OSCILLATOR.

- (a) Set the RECEPTION control to ~~A2~~ **A1 MEDIUM**
- (b) Remove the crystal calibrator cover and connect a frequency meter (similar to item 5 of Table 7-1), to the i-f output of the crystal calibrator (see Table 7-7 for the frequency meter connection).
- (c) Obtain the frequency reading of this output. The output of the crystal oscillator is rich in harmonics, therefore tune the frequency meter to have a reading of the fundamental if at all possible. If the fundamental frequency of the crystal does not lie within the band of the frequency meter, then tune the frequency meter to the closest obtainable harmonic of the crystal oscillator. The crystal oscillator frequency of all three types of receivers is listed in Table 7-7.
- (d) If the frequency of the crystal calibrator is wrong, as determined in step (c), correct it by adjusting the capacitor listed in Table 7-7.

NOTE

The crystals employed in the calibrator are approximately 0.01% high in frequency at normal room temperature in order that they may maintain their frequencies within tolerance over a wide range of ambient temperatures. A slight variation in frequency can be achieved by adjusting the capacitor listed in Table 7-7. This capacitor is adjusted at the factory and normally will not require such adjustment.

(e) Disconnect the frequency meter and replace the crystal calibrator cover. If adjusting crystal calibrator of the AN/SRR-11, see step (2) of paragraph e.

(2) MULTIVIBRATOR (AN/SRR-11 ONLY). This adjustment is to be made after the crystal calibrator oscillator is aligned.

(a) Set the band switch to band III and adjust R1411 (see figure 7-8) to obtain eight beat notes across the complete range of the band.

(b) Mark this setting of R1411, then adjust it to obtain six beat notes across the band III range.

(c) Mark this setting of R1411.

(d) Set R1411 midway between the two previous settings.

(e) Check the tuning dial for beat notes at 10-kc separations (seven across complete range of band III).

f. R-F SECTION ALIGNMENT.

(1) GENERAL.—The procedure for aligning the r-f, mixer, and antenna consists of adjusting the trimmer capacitors in each stage for maximum output at the high alignment frequency of each band, then adjusting the inductances for maximum output at the low alignment frequency end of each band. The alignment for the oscillator involves a similar procedure, but uses a zero beat instead of maximum output. R-f signals should be obtained from a signal generator set (similar to item 3 of Table 7-3) capable of supplying frequencies from 14 kc to 32 mc.

Locations of the trimmers and inductances are shown in figure 7-9. In addition, symbol numbers for the adjustments are marked on the equipment.

(2) R-F ALIGNMENT PROCEDURE.—Set the receiver and generator according to the following conditions, then adjust the trimmers and capacitors in the oscillator, mixer, r-f, and antenna stages as directed in Tables 7-8, 7-9, and 7-10. If aligning the complete r-f section, first align the oscillator then align the antenna, r-f, and mixer assemblies.

(a) Set the RECEPTION control at **A1 BROAD**, and connect a jumper wire between terminals 2 and 3 of the CAL switch, S252, S452, or S652. Turn the CAL switch to **ON**. Tune the receiver away from a calibration frequency and adjust the **FREQ. VERNIER** for zero beat. If an extraneous signal interferes with obtaining a beat note, detune the tuning dial to eliminate the signal. Remove the jumper wire.

(b) AN ALTERNATE METHOD of adjusting the BFO without the use of a jumper (to be used in place of step (a)) is as follows:

1. Set the RECEPTION control to **A1 BROAD** and turn the CAL switch to **ON**. Tune the receiver away from a calibration frequency.

TABLE 7-7. CRYSTAL CALIBRATOR ALIGNMENT

EQUIPMENT	CRYSTAL OSCILLATOR FUNDAMENTAL FREQ.	FREQUENCY ADJUSTMENT	FREQUENCY METER CONNECTION
AN/SRR-11	50 kc	C1401	J1401-B
AN/SRR-12	50 kc	C1501	J1501-B
AN/SRR-13	200 kc	C1201	J1201-B

2. Apply the output of the signal generator to ANT receptacle at the back of the receiver. Use an impedance adapter and an antenna simulator such as given under item 3 of Table 7-1, to make this connection.

3. Apply a sufficiently high level of input at the rf to obtain a beat note, and adjust the generator frequency to produce zero beat.

4. Turn the CAL switch off. Adjust the **FREQ. VERNIER** to produce zero beat.

(c) Set the link (O101 of the AN/SRR-11, O320 of the AN/SRR-12, or O502 of the AN/SRR-13) to a position so as not to connect to any of the terminals. Then connect a 39-mmF capacitor to terminal 10 of Z101 in the AN/SRR-11 terminal 3 of E308, or terminal 3 of E508, and ground.

(d) Apply the output of the signal generator directly to same terminal that the 39-mmF capacitor was connected to in step (c).

(e) Tune the generator and receiver to the alignment frequency specified in Tables 7-9, 7-10, or 7-11 for the trimmer or inductance being adjusted. Check the frequency of the signal generator each time a new frequency is used. Use a frequency meter similar to item 5 of Table 7-1 to make this check.

(f) Set the **ADD DECIBEL** switch to -10 db position. Adjust the **GAIN** control in the receiver and output control of the generator for a reading of -10 db in the **OUTPUT** meter each time a new alignment frequency is used.

(g) Put the **ADD DECIBEL** switch at the 0 db position, then adjust the trimmers and inductances in the oscillator section to produce zero beat at the indicated frequencies of Tables 7-8, 7-9, and 7-10. After the oscillator has been aligned, check the calibration check points as given in paragraph 14 j.

(h) When aligning the inductances of the oscillator stages, first unscrew and remove the oscillator caps, then adjust the oscillator slug by using the special screwdriver which clips behind the front apron of the chassis. (See figure 7-9). Use the outer blade of the screwdriver to hold the plastic slug support, then adjust the slug with the inner blade of the screwdriver for zero beat as described. **DO NOT ADJUST THE PLASTIC SUPPORT AS THIS WAS FACTORY SET FOR PROPER TEMPERATURE COEFFICIENT.**

(i) Adjust the mixer, r-f, and antenna stages for maximum on the **OUTPUT** meter in the order given in Tables 7-9, 7-10 and 7-11. If the **OUTPUT** meter reads full scale, attenuate the signal generator output before adjusting the trimmer or inductance to maximum.

NOTE: The adjustments set forth in Tables 7-9, 7-10, and 7-11 should be made in groups. The groups are determined by the particular band being aligned. For instance the oscillator adjustments in band I (first group) are to be made and checked before going to the adjustments set forth for band II, and the antenna, r-f, and mixer tuned circuits of band I (first group) are to be made and rechecked before going to the adjustments set forth for band II. Two examples are given below. Example 1 is for antenna, rf, and mixer alignment, and Example 2 is for oscillator alignment. *When complete r-f section alignment is to be performed, align the oscillator first, then align the antenna, rf, and mixer.*

EXAMPLE 1: Antenna, RF, and Mixer adjustments in band I of AN/SRR-11. (Refer to Table 7-9).

1. With the **RECEPTION** control at A1 **BROAD** and the adjustments described in paragraph (2) (a) and (b) made, connect the signal generator output to the ANT receptacle of the receiver.

2. Set the band selector to band I, the **CAL ADJUST** knob to exact center position, and lock it.

3. Turn the tuning dial knob till the reading on the frequency scale of the dial assembly is 28.65 kc.

4. Tune the signal generator to 28.65 kc and check this frequency with the frequency meter.

5. Set the **ADD DECIBEL** switch to the -10 db position and adjust the gain control for a -10 db reading.

6. Set the **ADD DECIBEL** switch to the 0 db position and adjust trimmers **ANT COMP**, C140 and C160 to obtain a maximum output as indicated on the output meter and phones.

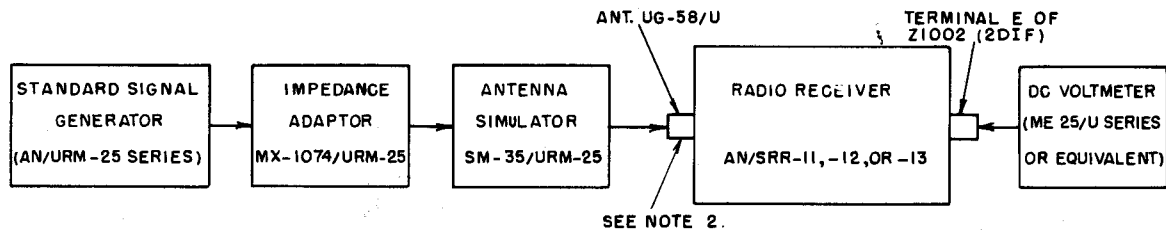
7. Turn the tuning dial knob until the reading on the frequency scale of the dial assembly is 14.82 kc.

8. Tune the signal generator to 14.82 kc. and check this frequency with the frequency meter.

9. Set the **ADD DECIBEL** switch to the -10 db position and adjust the gain control for a -10 db reading.

10. Set the **ADD DECIBEL** switch to the 0 db position and adjust L201 for a maximum output as indicated on the output meter and phones.

11. Repeat steps (2) through (9) until no further adjustment is necessary then go on to the next alignment step in Table 7-9 using this same procedure with the frequencies and adjustments given in that table.



SEE NOTE 2.

NOTES: 1- CONNECT THE SIGNAL GENERATOR TO THE RECEIVER ANT. RECEPTACLE THROUGH THE IMPEDANCE ADAPTOR AND ANTENNA SIMULATOR THROUGH PROPER CONNECTOR AND CABLES AS PER INSTRUCTION BOOK (NAVSHIPS 91283 FOR THE RF SIGNAL GENERATOR SET (AN/URM-25)).

2- THIS IS RECEPTACLE J1707 OF THE AN/SRR-11, OR J1807 OF AN/SRR-12 OR AN/SRR-13 AT THE BACK OF THE RECEIVER CABINET.

Figure 7-10. Test Equipment Set-Up for Selectivity Measurements

EXAMPLE 2: Oscillator alignment in band I of the AN/SRR-11. (Refer to Table 7-8.)

1. Follow the same procedure as given in example 1, and substitute oscillator alignment points and frequency as given in Table 7-8, as per example steps 1 and 2 of Table 7-8.

2. After the complete oscillator adjustments have been made, recheck the adjustments for each band. They may require slight readjustment as there is a small amount of coupling between the tuned circuits of the oscillator.

3. After the oscillator adjustments have been checked, perform the calibration checks given in paragraph (j).

(j) After the oscillator has been aligned or checked for alignment, turn the CAL switch to ON, and check each calibration check point on each band that has been aligned to make sure that the CAL ADJUST knob is capable of causing the calibrator frequency markings to coincide with the point of zero beat note. If such is not the case on any particular band, perform the following correction adjustments.

1. Set the CAL ADJUST knob to its center position.

2. Check all of the calibration points on the band, and the number of divisions on the linear scale by which the zero beat note is displaced from the point where the calibration marker appears. Attach a negative prefix to this number if the zero beat note occurs at a dial position which is lower than the dial marker, and a positive prefix if the zero beat note occurs at dial position which is higher than the dial marker.

3. Record the positive and negative extremes of the number obtained in step 2.

4. Compute the average of the two readings. This is equal to one-half the algebraic sum of these readings.

5. Set the tuning dial to the calibration marker at the low end of the band and note the linear scale reading.

6. Turn the tuning dial knob until the linear scale's position is displaced by the number of divisions computed in step 4 (take into account the proper sign).

7. Set the CAL ADJUST knob so that the calibration marker at the low end of the band coincides with the linear scale reading obtained in step 6. Lock the CAL ADJUST knob.

8. Align the oscillator as given in paragraph 4 with the CAL ADJUST knob set to the position determined in step 7, then recheck the calibration check points as described in the first paragraph.

9. If the calibration check points can still not be brought to coincidence by use of the CAL ADJUST knob, then align the tuning dial as described in paragraph 11.

EXAMPLE: AN/SRR-13, BAND III.

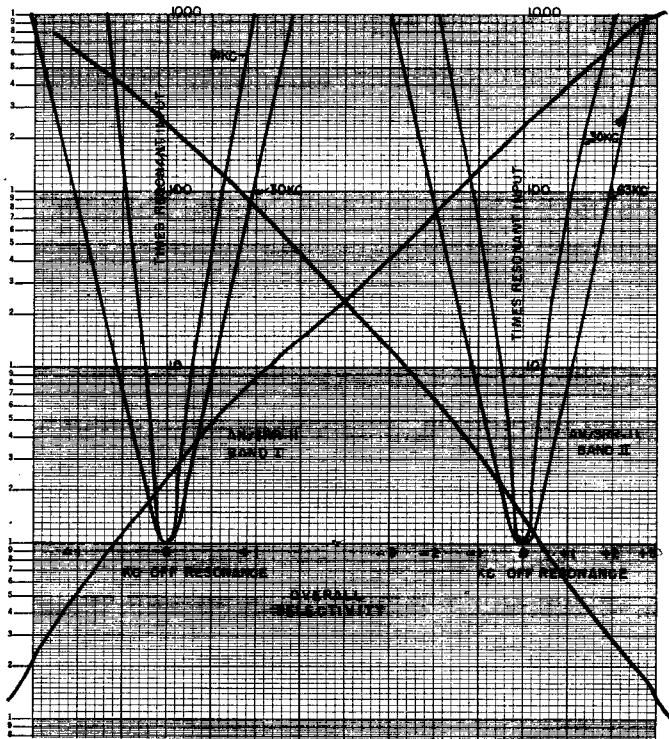
1. With the CAL-ADJUST knob set at its mid position, the 9.2-mc calibration marker appears at reading of 157 on the linear scale and the zero beat note occurs at a reading of 159 on the linear scale (a deviation of +2). In checking all the other check points this is found to be the largest positive deviation.

2. The 13.4-mc check point appears at a reading of 647 on the linear scale, and the zero beat note at 638 (a deviation of -9). In checking of all other check points this is found to be the largest negative deviation.

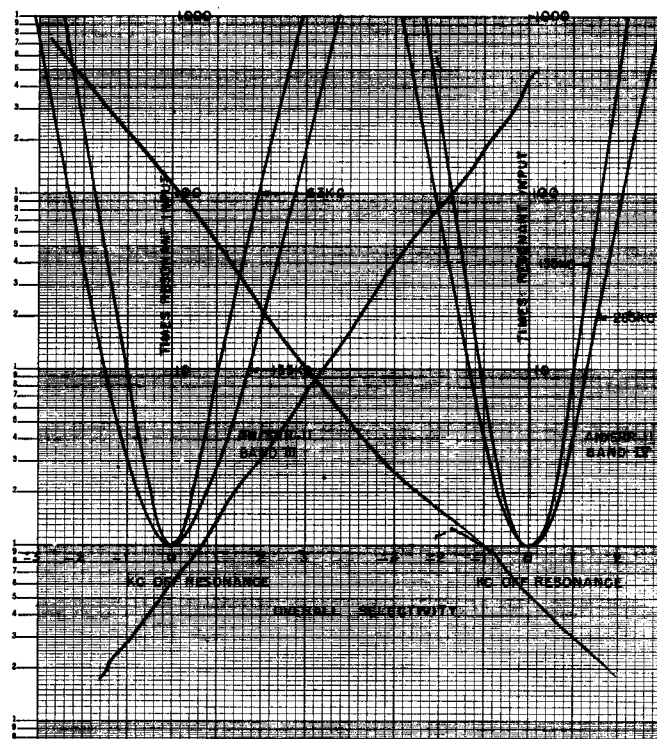
3. The average deviation of these two extremes is $(+2-9)/2 = -7/2 = -3.5$.

4. Set the frequency dial to 8.0 mc (lowest check point of band III). The linear scale reads 16.7.

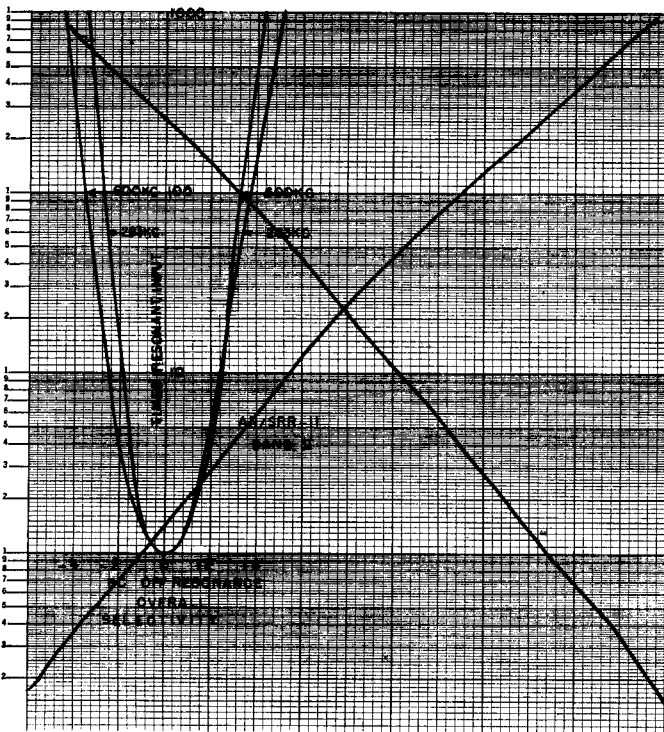
5. Rotate the tuning knob till the linear scale reads 13.2 ($16.7 - 3.5 = 13.2$).



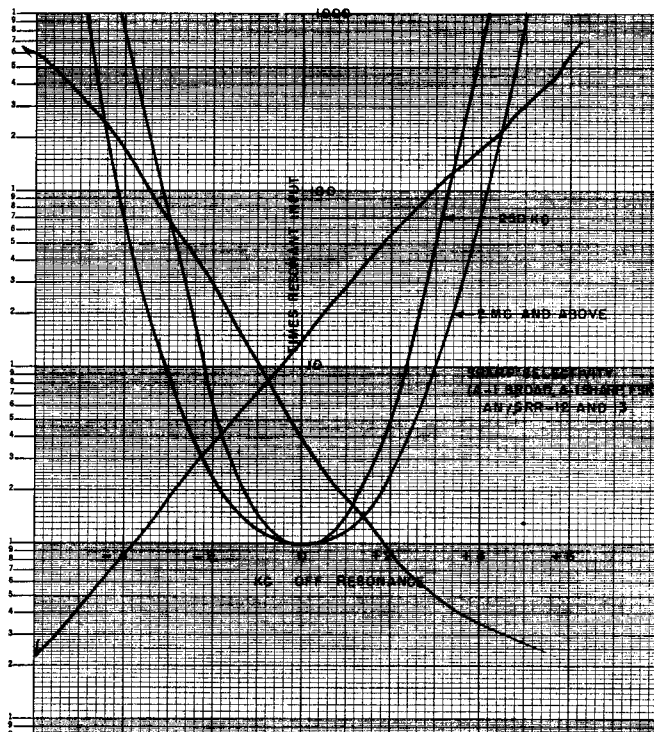
(A)



(B)

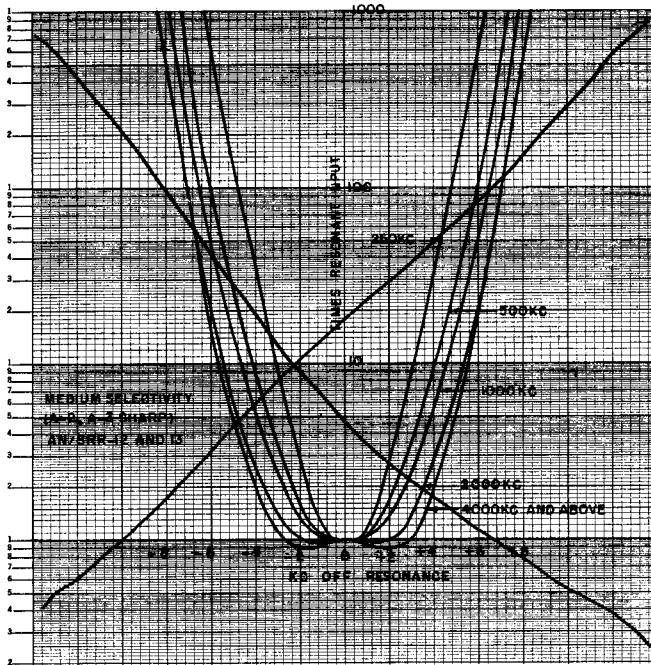


(C)

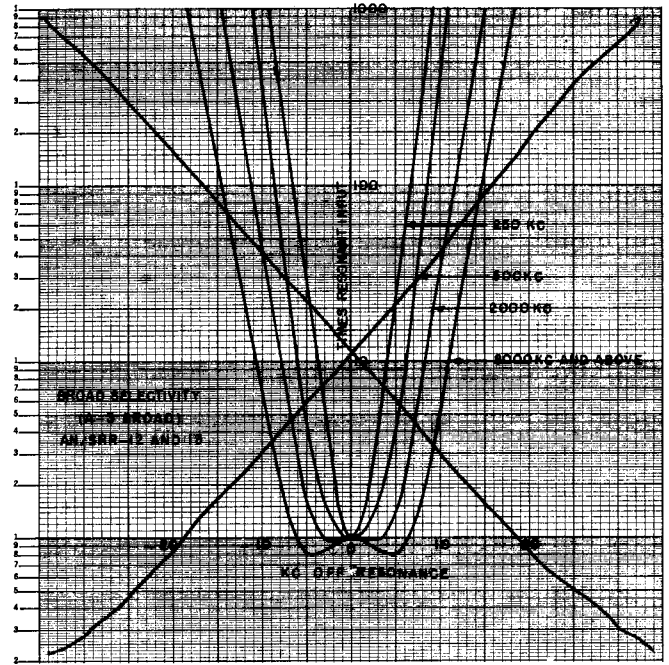


(D)

Figure 7-11 (A to D). Selectivity Curves



(E)



(F)

Figure 7-11 (E, F). Selectivity Curves

6. Adjust the CAL ADJUST knob until the frequency dial reads 8.0 mc, and lock it at this position.

7. Align the oscillator with the CAL ADJUST knob locked in the position given in step 6.

15. SELECTIVITY MEASUREMENT.

The curves shown in figures 7-11a through 7-11f are typical overall selectivity curves for AN/SRR-11, -12, and -13. AN/SRR-11 selectivity is approximately the same for all settings of the RECEPTION control, being controlled primarily by the preselection selectivity (antenna preamp, r-f, mixer, and oscillator stages). In the case of AN/SRR-12 and -13 receivers, typical curves are shown for each degree of selectivity for various frequencies. Overall selectivity above the highest frequency shown is effectively the i-f selectivity and will be the same as that at this frequency. These curves represent typical data; appreciable variation may occur from set to set without denoting trouble.

To measure the overall selectivity set up equipment as shown in the block diagram, figure 7-10.

For A-1 BROAD or SHARP or ~~A-2~~ ^{A-2 MEDIUM} setting of RECEPTION, set the GAIN control to produce 60 microwatts of noise into a 600-ohm load (0.19 V or 0 db). Set OUTPUT, LEVEL controls to maximum, SILENCER control to minimum. For A-3 SHARP or

BROAD, or FSK setting of RECEPTION control on the AN/SRR-12 or -13, turn DIVERSITY GAIN BALANCE control to minimum.

Before checking selectivity on any band, set the tuning dial to the high-frequency alignment point for the antenna stage (see Tables 7-8, 7-9, or 7-10). Set the RECEPTION control to A-1 BROAD and GAIN control to produce 60 microwatts output. Set the Standard Signal Generator to produce peak output at this frequency then adjust the antenna trimmer to produce maximum output (in the case of the low bands AN/SRR-11 it may be necessary to repeat these steps until the maximum is reached).

Then set the Tuning control to desired measurement frequency, set the RECEPTION control to desired condition.

Set the Standard Signal Generator level to produce approximately 5 volts d-c on the voltmeter. Find the peak of the selectivity curve by turning the signal generator, and determine whether characteristic has a single or double peak. If there is a single peak, set Signal Generator frequency to peak value and adjust level to produce 5 v d-c output. Now increase input level in convenient steps (e. g. 2, 10, 100, and 1000 times resonant input). At each level adjust frequency above and below resonance until the d-c voltmeter

TABLE 7-8. R-F ALIGNMENT PROCEDURE, AN/SRR-11

STEP	GENERATOR AND RECEIVER FREQUENCY (KC)	ADJUST TRIMMER FOR ZERO BEAT	ADJUST INDUCTANCE FOR ZERO BEAT	SECTION	BAND
1	30	C220		OSC	I
2	14		L201	OSC	I
3	63	C216		OSC	II
4	30		L202	OSC	II
5	133	C212		OSC	III
6	63		L203	OSC	III
7	283	C208		OSC	IV
8	133		L204	OSC	IV
9	600	C204		OSC	V
10	283		L205	OSC	V
		MAXIMUM OUTPUT	MAXIMUM OUTPUT		
11	28.65	ANT COMP		ANT	I
12	28.65	C140		RF	I
13	28.65	C160		MIX	I
14	14.82		T101	ANT	I
15	14.82		T126	RF	I
16	14.82		T151	MIX	I
17	60.1	ANT COMP		ANT	II
18	60.1	C137		RF	II
19	60.1	C158		MIX	II
20	31.78		T102	ANT	II
21	31.78		T127	RF	II
22	31.78		T152	MIX	II
23	128	ANT COMP		ANT	III
24	128	C134		RF	III
25	128	C156		MIX	III
26	66.6		T103	ANT	III
27	66.6		T128	RF	III
28	66.6		T153	MIX	III
29	269.4	ANT COMP		ANT	IV
30	269.4	C131		RF	IV
31	269.4	C154		MIX	IV
32	140		T104	ANT	IV
33	140		T129	RF	IV
34	140		T154	MIX	IV
35	570.8	ANT COMP		ANT	V
36	570.8	C128		RF	V
37	570.8	C152		MIX	V
38	298.8		T105	ANT	V
39	298.8		T130	RF	V
40	298.8		T155	MIX	V

TABLE 7-9. R-F ALIGNMENT PROCEDURE, AN/SRR-12

STEP	GENERATOR AND RECEIVER FREQUENCY (KC)	ADJUST TRIMMER FOR ZERO BEAT	ADJUST INDUCTANCE FOR ZERO BEAT	SECTION	BAND
1	500	C404		OSC	I
2	250		L401	OSC	I
3	1000	C407		OSC	II
4	500		L402	OSC	II
5	2000	C410		OSC	III
6	1000		L403	OSC	III
7	4000	C414		OSC	IV
8	2000		L404	OSC	IV
9	8000	C418		OSC	V
10	4000		L405	OSC	V
		MAXIMUM OUTPUT	MAXIMUM OUTPUT		
11	480	C303, ANT COMP		ANT	I
12	480	C328		RF	I
13	480	C354		MIX	I
14	260		L301, T301	ANT	I
15	260		T326	RF	I
16	260		T351	MIX	I
17	960	C306, ANT COMP		ANT	II
18	960	C331		RF	II
19	960	C357		MIX	II
20	520		L302, T302	ANT	II
21	520		T327	RF	II
22	520		T352	MIX	II
23	1920	C309, ANT COMP		ANT	III
24	1920	C333		RF	III
25	1920	C360		MIX	III
26	1040		L303, T303	ANT	III
27	1040		T328	RF	III
28	1040		T353	MIX	III
29	3840	C312, ANT COMP		ANT	IV
30	3840	C335		RF	IV
31	3840	C363		MIX	IV
32	2080		L304, T304	ANT	IV
33	2080		T329	RF	IV
34	2080		T354	MIX	IV
35	7680	C315, ANT COMP		ANT	V
36	7680	C337		RF	V
37	7680	C366		MIX	V
38	4160		C305, T305	ANT	V
39	4160		T330	RF	V
40	4160		T355	MIX	V

TABLE 7-10. R-F ALIGNMENT PROCEDURE, AN/SRR-13

STEP	GENERATOR AND RECEIVER FREQUENCY (MC)	ADJUST TRIMMER FOR ZERO BEAT	ADJUST INDUCTANCE FOR ZERO BEAT	SECTION	BAND
1	4.0	C601		OSC	I
2	2.0		L601	OSC	I
3	8.0	C602		OSC	II
4	4.0		L602	OSC	II
5	16.0	C603		OSC	III
6	8.0		L603	OSC	III
7	24.0	C604		OSC	IV
8	16.0		L604	OSC	IV
9	32.0	C605		OSC	V
10	24.0		L605	OSC	V
		MAXIMUM OUTPUT	MAXIMUM OUTPUT		
11	3.88	C501, ANT COMP		ANT	I
12	3.88	C526		RF	I
13	3.88	C551		MIX	I
14	2.1		L501, T501	ANT	I
15	2.1		T526	RF	I
16	2.1		T551	MIX	I
17	7.76	C502, ANT COMP		ANT	II
18	7.76	C527		RF	II
19	7.76	C552		MIX	II
20	4.28		L502, T502	ANT	II
21	4.28		T527	RF	II
22	4.28		T552	MIX	II
23	15.49	C503, ANT COMP		ANT	III
24	15.49	C528		RF	III
25	15.49	C553		MIX	III
26	8.32		C503, T503	ANT	III
27	8.32		T528	RF	III
28	8.32		T553	MIX	III
29	23.62	C504, ANT COMP		ANT	IV
30	23.62	C529		RF	IV
31	23.62	C554		MIX	IV
32	16.32		C504, T504	ANT	IV
33	16.32		T529	RF	IV
34	16.32		T554	MIX	IV
35	31.7	C505, ANT COMP		ANT	V
36	31.7	C530		RF	V
37	31.7	C555		MIX	V
38	24.3		L505, T505	ANT	V
39	24.3		T530	RF	V
40	24.3		T555	MIX	V

TABLE 7-11. CRYSTAL DATA*

SYMBOL	FREQ.	TOLERANCE	TEMP. RANGE	CRYSTAL HOLDER TYPE
Y701	140 kc	FIRST I-F ASSEMBLY ±0.016%	-40°C to +85°C	HC-6/U
Y801	1400 kc	±0.005%	-55°C to +90°C	
Y901	1400 kc	±0.005%	-55°C to +90°C	
Y1201	200 kc	CRYSTAL CALIBRATOR ±0.012%	-40°C to +85°C	HC-6/U
Y1401	50 kc	±0.012%	-40°C to +85°C	
Y1501	50 kc	±0.012%	-40°C to +85°C	

* Refer to Specification MIL-C-3098.

TABLE 7-12. COIL WINDING DATA

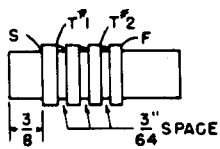
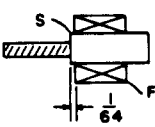
DESIGNATION SYMBOL	R. C. A. PART NO.	DIAGRAM	WINDING	WIRE SIZE	TURNS	D. C. RESISTANCE IN OHMS	IMPEDANCE RATIO	HI POT. A-C VOLTS	REMARKS
L201	746105-6 0.455 in. dia. ceramic coil form.		Universal, 3 crosses per turn, 4 sections	1 strand 0.004	257 per section, tap 1 at 257, tap 2 at 771	106			See notes 1, 2, 3 and 5. L = 18.1 mh.
L202	746105-7 0.312 in. dia. ceramic coil form.	Same as L201	Universal, 4 crosses per turn, 4 sections	8 strands 0.0022	94 per section, tap 1 at 94, tap 2 at 188	13			See notes 1, 2, and 3. L = 1440 μh.
L203	746105-8 0.312 in. dia. ceramic coil form.	Not available at time of printing.	Universal, 4 crosses per turn, 4 sections	30 strands 0.0020	37 per section, tap 1 at 37, tap 2 at 74	13.2			See notes 1, 2, and 3. L = 1410 μh.
L204	746105-9 0.312 in. dia. ceramic coil form.	Same as L201	Universal, 4 crosses per turn, 4 sections	5 strands 0.0025	122 per section, tap 1 at 122, tap 2 at 244	22.5			See notes 1, 2, and 3. L = 2530 μh.
L205	746105-10 0.312 in. dia. ceramic coil form.	Same as L201	Universal, 6 crosses per turn, 4 sections	20 strands 0.0020	51 per section, tap 1 at 51, tap 2 at 102	3.5			See notes 1, 2, and 3. L = 445 μh.
L251, L451 L651, L1201	746104-9 0.125 in. dia. powdered iron slug.		Universal, 1/2 cross per turn, 1 section	1 strand 0.004	1045 1/2	50.2			Wind coil over 1 layer of tape, extend leads 1 1/2 inches beyond core. L = 6.35 mh.

TABLE 7-12—(Continued)

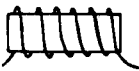
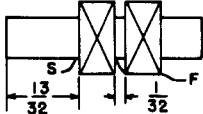
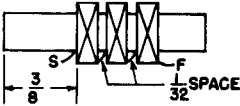
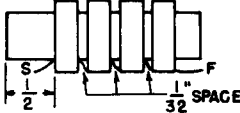
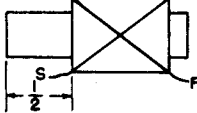
DESIGNATION SYMBOL	R. C. A. PART NO.	DIAGRAM	WINDING	WIRE SIZE	TURNS	D. C. RESISTANCE IN OHMS	IMPEDANCE RATIO	HI POT. A-C VOLTS	REMARKS
L252	462575-1		Single	0.0359 E	221	3.2			Wind over 245 diameter ferricore, use 0.005 paper between layers.
L301	746107-16 0.188 in. dia. ceramic coil form.		Universal, 1 cross per turn, 2 sections	10 strands 0.0020	314 per section	15.8			See notes 2 and 3. L = 1520 μh
L302	746107-17 0.25 in. dia. ceramic coil form.		Universal, 4 crosses per turn, 3 sections	10 strands 0.0020	85 per section	7.6			See notes 2 and 3. L = 380 μh
L303	746107-18 0.455 in. dia. ceramic coil form.		Universal, 4 crosses per turn, 4 sections	30 strands 0.0020	24 per section	1.2			See notes 2 and 3. L = 91 μh
L304	746107-19 0.455 in. dia. ceramic coil form.		Flat, R.H., 64 turns per inch, in groove	1 strand 0.010	45%	0.61			See notes 2 and 4. L = 23 μh
L305	746107-20 0.455 in. dia. ceramic coil form.	Not available at time of printing.	Flat, R.H., 44 turns per inch, in groove	1 strand 0.010	20%	0.29			See notes 2 and 4. L = 5.4 μh
L401	746105-1 0.312 in. dia. ceramic coil form.	Same as L201	Universal, 6 crosses per turn, 4 sections	20 strands 0.0020	60 per section, tap 1 at 57, tap 2 at 114	4.0			See notes 2 and 3. L = 693 μh
L402	746105-2 0.312 in. dia. ceramic coil form.	Same as L201	Universal, 6 crosses per turn, 4 sections	30 strands 0.0020	37 per section, tap 1 at 37, tap 2 at 74	1.8			See notes 2 and 3. L = 243 μh

TABLE 7-12—(Continued)

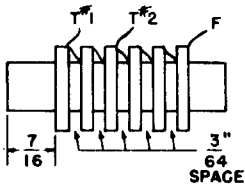
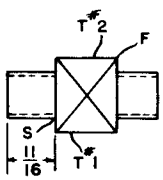
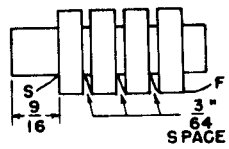
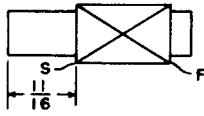
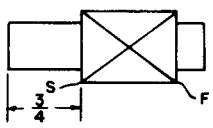
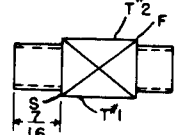
DESIGNATION SYMBOL	R. C. A. PART NO.	DIAGRAM	WINDING	WIRE SIZE	TURNS	D. C. RESISTANCE IN OHMS	IMPEDANCE RATIO	H I POT. A-C VOLTS	REMARKS
L403	746105-3 0.312 in. dia. ceramic coil form.	Same as L201	Universal, 6 crosses per turn, 6 sections	30 strands 0.0020, tap 1 at 15, tap 2 at 46	sec turns 1 15½ 2 16 3 15⅝ 4 16 5 16 6 15⅜	0.94			See notes 2 and 3. L = 72.5 μh
L404	746105-4 0.312 in. dia. ceramic coil form.		Flat, close wound	1 strand 0.010	35⅔, tap 1 at 9½, tap 2 at 18⅓	0.38			See notes 2 and 4. L = 9.6 μh
L405	746105-5 0.312 in. dia. ceramic coil form.		Flat, close wound	1 strand 0.0159	18⅔, tap 1 at 9½, tap 2 at 18⅓	0.095			See notes 2 and 4. L = 3.6 μh
L501	746108-16 0.455 in. dia. ceramic coil form.		Universal, 4 crosses per turn, 4 sections	10 strands 0.002	12 per sec- tion	1.35			See notes 2, 4, and 5. L = 23 μh
L502	746108-17 0.455 in. dia. ceramic coil form.		Flat, RH, 44 turns per inch in groove.	1 strand 0.01	20⅔	0.284			See notes 2 and 4. L = 5.2 μh
L503	746108-18 0.455 in. dia. ceramic coil form.	Same as L502	Same as L502						
L504	746108-19 0.455 in. dia. ceramic coil form.	Same as L502	Flat, RH 64 turns per inch in groove	1 strand 0.01	45⅔	0.016			See notes 2 and 4. L = 1.2 μh
L505	746108-20 0.455 in. dia. ceramic coil form.		Flat, RH, 13 turns per inch in groove	0.015 x 0.045		0.013			See notes 2 and 4. L = 37 μh
L601	746105-11 0.312 in. dia. ceramic coil form.		Flat, close wound	30 strands 0.002	31⅔, tap 1 at 10.5, tap 2 at 18.4	0.28			See notes 2 and 4. L = 8.65 μh

TABLE 7-12—(Continued)

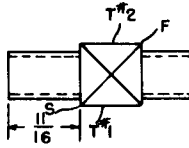
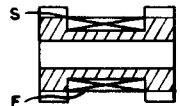
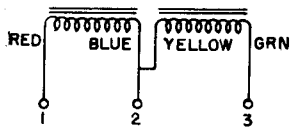
DESIGNATION SYMBOL	R. C. A. PART NO.	DIAGRAM	WINDING	WIRE SIZE	TURNS	D. C. RESISTANCE IN OHMS	IMPEDANCE RATIO	HI POT. A-C VOLTS	REMARKS
L602	746105-12 0.312 in. dia. ceramic coil form.	Same as L601	Flat, close wound	1 strand 0.0159	17 $\frac{3}{8}$, tap 1 at 6 $\frac{1}{2}$, tap 2 at 11 $\frac{3}{8}$	0.09			See notes 2 and 4. L = 3.15 μ h
L603	746105-13 0.455 in. dia. ceramic coil form.		Flat, 24 turns per inch, in groove	1 strand 0.020	6 $\frac{3}{4}$, tap 1 at 2.9, tap 2 at 5 $\frac{1}{8}$	0.03			See notes 1, 2, 4, and 5. L = 0.95 μ h
L604	746105-14 0.455 in. dia. ceramic coil form.	Same as L603	Flat, 13 turns per inch, in groove	0.015 x 0.045	4 $\frac{1}{2}$, tap at 2	0.013			See notes 1, 2, 4, and 5. L = 0.372 μ h
L605	746105-15 0.455 in. dia. ceramic coil form.	Same as L603	Flat, 13 turns per inch, in groove	0.015 x 0.045	3, tap at 1 $\frac{3}{8}$	0.01			See notes 1, 2, 4, and 5. L = 0.255 μ h
L1010	746104-4 0.118 in. dia. powdered iron coil form.		Random	1 strand 0.004	319 $\frac{1}{2}$	14.1			See notes 2 and 3. L = 2.44 μ h
L1011, L1012	746104-31 0.118 in. dia. powdered iron coil form.	Same as L1010	Random	1 strand 0.004	304 $\frac{1}{2}$, 162 $\frac{1}{4}$ turns to tap	13.6 6.5 to tap			See notes 2 and 3. L (Start to tap) = 0.382 μ h L (tap to finish) = 0.29 μ h
L1013	746104-32 0.118 in. dia. powdered iron coil form.	Same as L1010	Random	1 strand 0.004	225 $\frac{1}{2}$, 121 $\frac{1}{4}$ turns to tap	9.8 4.7 to tap			See notes 2 and 3. L (Start to tap) = 1.22 μ h L (tap to finish) = 0.29 μ h
L1601	8896292-1		Single	0.0071 E	1880	152			1 sheet of .001 inch paper between layer. 5 henries at 50 VAC 60 CPS

TABLE 7-12—(Continued)

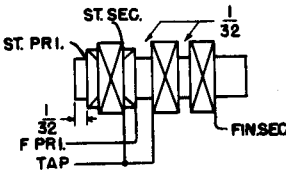
DESIGNATION SYMBOL	R. C. A. PART NO.	DIAGRAM	WINDING	WIRE SIZE	TURNS	D. C. RESISTANCE IN OHMS	IMPEDANCE RATIO	H I POT. A-C VOLTS	REMARKS
T101	746106-1 0.406 in. dia. glass base melamine coil form.		<i>Primary</i> Flat, RH, 140 turns per inch <i>Secondary</i> Universal, 1 cross per turn, 3 sections	1 strand 0.004 1 strand 0.004	16 Sec #1, 930 sec #2, 1180 sec #3, 1180 tap at 930	1.33 313			See notes 2, 4.
T102	746106-2 0.406 in. dia. glass base melamine coil form.	Same as T101	<i>Primary</i> Flat, RH, 140 turns per inch <i>Secondary</i> Universal, 1 1/3 cross per turn, 3 sections	1 strand 0.0063 1 strand 0.0050	10 Sec #1, 400 sec #2, 605 sec #3, 605 tap at 400	0.40 110			See notes 2, 4.
T103	746106-3 0.281 in. dia. glass base melamine coil form.	Same as T101	<i>Primary</i> Flat, RH, 44 turns per inch <i>Secondary</i> Universal, 1 1/3 crosses per turn, 3 sections	1 strand 0.005 1 strand 0.004	8 Sec #1, 248 sec #2, 437 sec #3, 437	0.37 74.0			See notes 2 and 4. See notes 2 and 4.
T104	746106-4 0.281 in. dia. glass base melamine coil form.	Same as T101	<i>Primary</i> Flat, RH, close wound <i>Secondary</i> Universal, 1.35 crosses per turn, 3 sections	1 strand 0.0050 1 strand 0.0050	8 Sec #1, 118 sec #2, 187 sec #3, 187 118 turns to tap	0.26 22.1			See notes 2 and 4.
T105	746106-5 0.281 in. dia. glass base melamine coil form.	Same as T101	<i>Primary</i> Flat, RH, 44 turns per inch <i>Secondary</i> Universal, 2 crosses per turn, 3 sections	3 strands 0.0028 3 strands 0.0028	4 Sec #1, 52 sec #2, 88 sec #3, 88 tap at 52	0.24 11.3			See notes 2 and 4.

TABLE 7-12—(Continued)

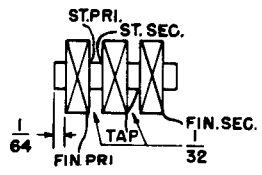
DESIGNATION SYMBOL	R. C. A. PART NO.	DIAGRAM	WINDING	WIRE SIZE	TURNS	D. C. RESISTANCE IN OHMS	IMPEDANCE RATIO	HI POT. A-C VOLTS	REMARKS
T126	746106-6 0.46 in. dia. paper base bakelite coil form.		<i>Primary</i> Universal, 4 crosses per turn, 1 section <i>Secondary</i> Universal, 1 cross per turn, 2 sections	1 strand 0.0035 1 strand 0.0035	253 Sec #1, 1360 sec #2, 1360 tap at 1360	28 367			See notes 2 and 4.
T127	746106-7 0.46 in. dia. paper base bakelite coil form.	Same as T126	<i>Primary</i> Universal, 4 crosses per turn, 1 section <i>Secondary</i> Universal, 1 1/2 crosses per turn, 2 sections	1 strand 0.004 1 strand 0.005	190 Sec #1, 743 sec #2, 743 743 turns to tap	20.6 107			See notes 2 and 3.
T128	746106-8 0.281 in. dia. paper base bakelite coil form.	Same as T126	<i>Primary</i> Universal, 1 1/2 crosses per turn, 1 section <i>Secondary</i> Universal, 1 1/2 crosses per turn, 2 sections	1 strand 0.0063 1 strand 0.004	166 Sec #1, 437 sec #2, 437 437 turns to tap	4.92 63.5			See notes 2 and 3.
T129	746106-9 0.281 in. dia. paper base bakelite coil form.	Same as T126	<i>Primary</i> Universal, 2 crosses per turn, 1 section <i>Secondary</i> Universal, 1 1/2 crosses per turn, 2 sections	3 strands 0.0028 1 strand 0.005	109 Sec #1, 207 sec #2, 207 207 turns to tap	5.5 19			See notes 2 and 3.
T130	746106-10 0.281 in. dia. paper base bakelite coil form.	Same as T126	<i>Primary</i> Universal, 2 crosses per turn, 1 section <i>Secondary</i> Universal, 2 crosses per turn, 2 sections	3 strands 0.0028 3 strands 0.0028	108 Sec #1, 98 sec #2, 98 98 turns to tap	5.3 9.5			See notes 2 and 3.

TABLE 7-12—(Continued)

DESIG- NATION SYMBOL	R. C. A. PART NO.	DIAGRAM	WINDING	WIRE SIZE	TURNS	D. C. RESIST- ANCE IN OHMS	IMPEDANCE RATIO	HI POT. A-C VOLTS	REMARKS
T151	746106-11 0.406 in. dia. paper base bakelite coil form.	Same as T126	Same as T126						
T152	746106-12 0.46 in. dia. paper base bakelite coil form.	Same as T126	Same as T127						
T153	746106-13 0.281 in. dia. paper base bakelite coil form.	Same as T126	<i>Primary</i> Universal, 2 crosses per turn, 1 section <i>Secondary</i> Universal, 1 $\frac{1}{2}$ crosses per turn, 2 sections	3 strands 0.0028 1 strand 0.004	113 Sec #1, 422 sec #2, 422 422 turns to tap	5.7 62.4			See notes 2 and 3.
T154	746106-14 0.281 in. dia. paper base bakelite coil form.	Same as T126	<i>Primary</i> 2 crosses per turn, 1 section <i>Secondary</i> Universal, 1 $\frac{1}{2}$ crosses per turn, 2 sections	3 strands 0.0028 1 strand 0.005	57 Sec #1, 205 sec #2, 205 tap at 205	2.6 18.7			See notes 2 and 3.
T155	746106-15 0.281 in. dia. paper base bakelite coil form.	Same as T126	<i>Primary</i> Universal, 2 crosses per turn, 1 section <i>Secondary</i> Universal, 2 crosses per turn, 2 sections	3 strands 0.0028 3 strands 0.0028	56 Sec #1, 95 sec #2, 95 tap at 95	2.6 9			See notes 2 and 3.

TABLE 7-12—(Continued)

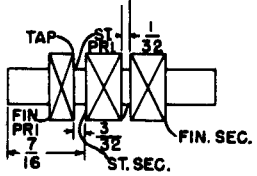
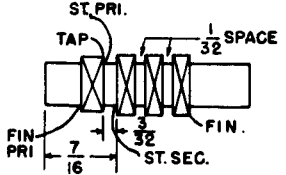
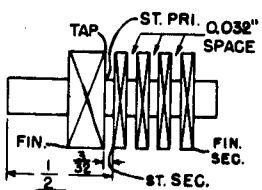
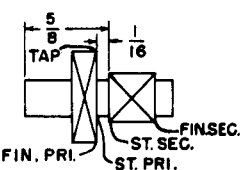
DESIGNATION SYMBOL	R. C. A. PART NO.	DIAGRAM	WINDING	WIRE SIZE	TURNS	D. C. RESISTANCE IN OHMS	IMPEDANCE RATIO	HI POT. A-C VOLTS	REMARKS
T301	746107-11 0.188 in. dia. ceramic coil form.		<i>Primary</i> Universal, 1 cross per turn, 1 section <i>Secondary</i> Universal, 1 cross per turn, 2 sections	1 strand 0.004 10 strands 0.002	745 tap at 170 Sec #1, 310 sec #2, 310	6.87 0.27			See notes 2 and 3.
T302	746107-12 0.25 in. dia. ceramic coil form.		<i>Primary</i> Universal, 2 crosses per turn, 1 section <i>Secondary</i> Universal, 4 crosses per turn, 3 sections	1 strand 0.004 10 strands 0.0020	360, tap at 93 91 turns per section	26.0 7.3			See notes 2 and 3.
T303	746107-13 0.455 in. dia. ceramic coil form.		<i>Primary</i> Universal, 2 crosses per turn, 1 section <i>Secondary</i> Universal, 4 crosses per turn 4 sections	1 strand 0.004 30 strands 0.002	234, tap at 63 24 turns per section	23.2 1.18			See notes 2 and 3.
T304	746107-14 0.455 in. dia. ceramic coil form.		<i>Primary</i> Universal, 2 crosses per turn, 1 section <i>Secondary</i> Flat, RH, 64 turns per inch in groove	1 strand 0.004 1 strand 0.01	144, tap at 58 45 1/16	13.3 0.65			See notes 2 and 3.

TABLE 7-12—(Continued)

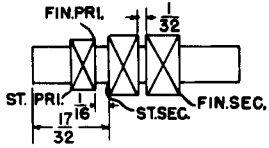
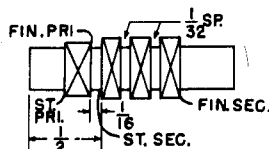
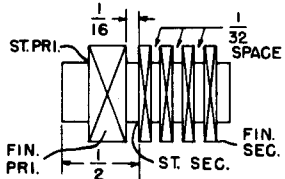
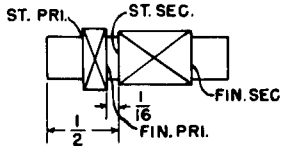
DESIGNATION SYMBOL	R. C. A. PART NO.	DIAGRAM	WINDING	WIRE SIZE	TURNS	D. C. RESISTANCE IN OHMS	IMPEDANCE RATIO	HI POT. A-C VOLTS	REMARKS
T305	746107-15	Same as T304	<i>Primary</i> Universal, 2 crosses per turn, 1 section <i>Secondary</i> Flat, RH, 44 turns per inch in groove	1 strand 0.004	75, 30 turns to tap	6.87			See notes 2 and 3.
	0.455 in. dia. ceramic coil form.			1 strand 0.01	20 $\frac{1}{6}$	0.27			
T326	746107-1		<i>Primary</i> Flat, RH, close wound <i>Secondary</i> Universal, 1 cross per turn, 2 sections	1 strand 0.004	14 $\frac{1}{2}$	0.62			See notes 2 and 3.
	0.188 in. dia. ceramic coil form.			10 strands 0.002	310 per section	14.5			
T327	746107-2		<i>Primary</i> Flat, RH, 100 turns per inch <i>Secondary</i> Universal, 3 crosses per turn, 2 sections	1 strand 0.0063	15 $\frac{1}{2}$	0.62			See notes 2 and 3.
	0.25 in. dia. ceramic coil form.			10 strands 0.002	95 per section	7.7			
T328	746107-3		<i>Primary</i> Flat, RH, 105 turns per inch <i>Secondary</i> 4 crosses per turn, 4 sections	1 strand 0.0063	3 $\frac{1}{2}$	0.189			See notes 2 and 4.
	0.455 in. dia. ceramic coil form.			30 strands 0.0020	22 turns per section	1.08			
T329	746107-4		<i>Primary</i> Flat, RH 160 turns per inch <i>Secondary</i> Flat, RH, 64 turns per inch in groove	1 strand 0.004	5 $\frac{1}{2}$	1.39			See notes 2 and 4.
	0.455 in. dia. ceramic coil form.			1 strand 0.008	45 $\frac{1}{16}$	0.93			

TABLE 7-12— (Continued)

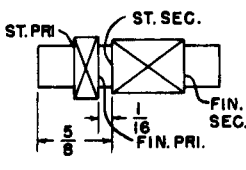
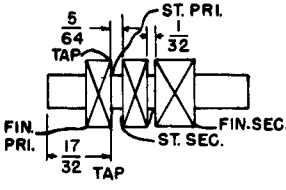
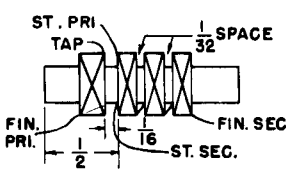
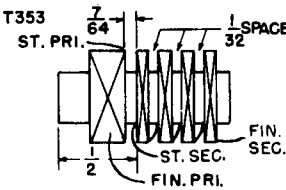
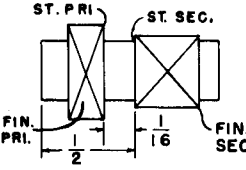
DESIGNATION SYMBOL	R. C. A. PART NO.	DIAGRAM	WINDING	WIRE SIZE	TURNS	D. C. RESISTANCE IN OHMS	IMPEDANCE RATIO	HI POT. A-C VOLTS	REMARKS
T330	746107-5 0.455 in. dia. ceramic coil form.		<i>Primary</i> Flat, RH, 160 turns per inch <i>Secondary</i> Flat, RH, 44 turns per inch in groove	1 strand 0.0063 1 strand 0.010	5 1/2 20 1/16	0.21 0.27			See notes 2 and 4.
T351	746107-6 0.188 in. dia. ceramic coil form.		<i>Primary</i> Universal, 1 1/2 crosses per turn, 1 section <i>Secondary</i> Universal, 1 cross per turn, 2 sections	1 strand 0.004 10 strands 0.002	472 310 turns per section	25.1 15.4			See notes 2 and 3.
T352	746107-7 0.25 in. dia. ceramic coil form.		<i>Primary</i> Universal, 1 cross per turn, 1 section <i>Secondary</i> Universal, 4 crosses per turn, 3 sections	1 strand 0.004 10 strands 0.002	487 92 turns per section	30.0 8.0			See notes 2 and 3.
T353	746107-8 0.455 in. dia. ceramic coil form.		<i>Primary</i> Universal, 2 crosses per turn, 1 section <i>Secondary</i> Universal, 4 crosses per turn, 4 sections	1 strand 0.004 30 strands 0.002	392 24 turns per section	39.7 1.21			See notes 2 and 3.
T354	746107-9 0.455 in. dia. coil form.		<i>Primary</i> Universal, 2 crosses per turn, 1 section <i>Secondary</i> Flat, RH, 44 turns per inch in groove	1 strand 0.004 1 strand 0.01	140 45 1/16	14.25 0.93			See notes 2 and 4.

TABLE 7-12—(Continued)

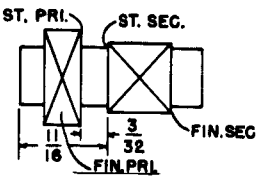
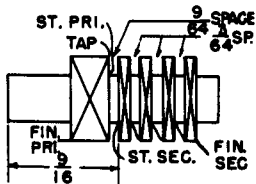
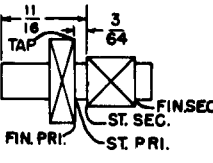
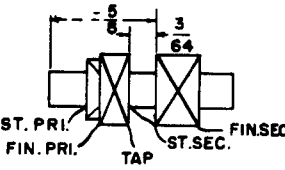
DESIGNATION SYMBOL	R. C. A. PART NO.	DIAGRAM	WINDING	WIRE SIZE	TURNS	D. C. RESISTANCE IN OHMS	IMPEDANCE RATIO	HI POT. A-C VOLTS	REMARKS
T355	746107-10 0.455 in. dia. ceramic coil form.		<i>Primary</i> Universal, 3 crosses per turn, 1 section <i>Secondary</i> Flat, RH, 44 turns per inch in groove	3 strands 0.0025 1 strand 0.010	72 21 $\frac{1}{8}$	6.12 0.27			See notes 2 and 4.
T501	746108-11 0.455 in. dia. ceramic coil form.		<i>Primary</i> Universal, 2 crosses per turn, 1 section <i>Secondary</i> Universal, 4 crosses per turn, 3 sections	1 strand 0.004 10 strands 0.002	87 $\frac{1}{8}$ 39 $\frac{1}{16}$ turns to tap 12 turns per section	3.47 1.35			See notes 2 and 4.
T502	746108-12 0.455 in. dia. ceramic coil form.	Not available at time of printing.	<i>Primary</i> Universal, 2 crosses per turn, 1 section <i>Secondary</i> Flat, RH, 44 turns per inch in groove	1 strand 0.004 1 strand 0.010	73, 29 turns to tap 20 $\frac{1}{2}$	7.0 0.27			See notes 2 and 4.
T503	746108-13 0.455 in. dia. ceramic coil form.		<i>Primary</i> Universal, 2 crosses per turn, 1 section <i>Secondary</i> Flat, RH, 24 turns per inch in groove	1 strand 0.004 1 strand 0.002	36, 16 $\frac{1}{16}$ turns to tap 9 $\frac{1}{2}$	3.34 0.039			See notes 2 and 4.
T504	746108-14 0.455 in. dia. ceramic coil form.		<i>Primary</i> Flat, close wound, 2 layers, 1st layer RH, 2nd layer LH <i>Secondary</i> Flat, RH, close wound	1 strand 0.004 0.015 x 0.045 soft copper	15 $\frac{1}{8}$ 9 $\frac{1}{8}$ tap at 15 $\frac{1}{8}$ turns 6 $\frac{1}{2}$	2.23 0.016			Wind first layer of primary, make tap, then wind second layer in reverse direction using grooves of first layer as guide. See notes 2 and 4.

TABLE 7-12—(Continued)

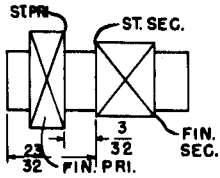
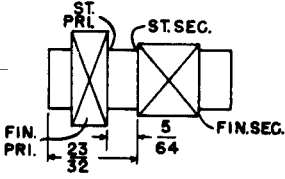
DESIG-NATION SYMBOL	R. C. A. PART NO.	DIAGRAM	WINDING	WIRE SIZE	TURNS	D. C. RESIST-ANCE IN OHMS	IMPEDANCE RATIO	HI POT. A-C VOLTS	REMARKS
T505	746108-15 0.455 in. dia. ceramic coil form.	Same as T504	<i>Primary</i> Flat, close wound, 2 layers, 1st layer RH, 2nd layer LH <i>Secondary</i> Flat, RH, 13 turns per inch, in groove	1 strand 0.004 0.015 x 0.045 soft copper	14 $\frac{1}{8}$ 1st layer 9 $\frac{3}{8}$ 2nd layer tap at 14 $\frac{1}{2}$ 4 $\frac{1}{8}$	2.14 0.013			Wind first layer of primary, make tap, then wind second layer in reverse direction using grooves of first layer as guide. See notes 2 and 4.
T526	746108-6 0.455 in. dia. ceramic coil form.		<i>Primary</i> Universal, 1 $\frac{1}{2}$ crosses per turn, 1 section <i>Secondary</i> Flat, RH, 44 turns per inch, in groove	1 strand 0.004 1 strand 0.01	314 $\frac{1}{2}$ 45 $\frac{1}{8}$	27.4 0.613			
T527	746108-7 0.455 in. dia. ceramic coil form.		<i>Primary</i> Universal, 3 crosses per turn, 1 section <i>Secondary</i> Flat, RH, 44 turns per inch, in groove	3 strands 0.0025 1 strand 0.010	96 $\frac{1}{2}$ 20 $\frac{1}{8}$	8.11 0.268			
T528	746108-8 0.455 in. dia. ceramic coil form.	Same as T355	<i>Primary</i> Universal, 3 crosses per turn, 1 section <i>Secondary</i> Flat, RH, 24 turns per inch in groove	3 strands 0.0025 1 strand 0.02	38 $\frac{1}{2}$ 10 $\frac{1}{8}$	3.03 0.041			See notes 2 and 4.
T529	746108-9 0.455 in. dia. ceramic coil form.	Same as T330	<i>Primary</i> Flat, RH, close wound <i>Secondary</i> Flat, RH, 13 turns per inch in groove	1 strand 0.0063 0.015 x 0.045 soft copper	15 $\frac{1}{2}$ 6 $\frac{1}{8}$	0.594 0.017			See notes 2 and 4.

TABLE 7-12— (Continued)

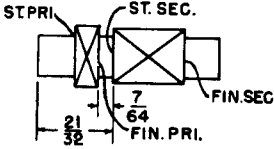
DESIG-NATION SYMBOL	R. C. A. PART NO.	DIAGRAM	WINDING	WIRE SIZE	TURNS	D. C. RESIST-ANCE IN OHMS	IMPEDANCE RATIO	HI POT. A-C VOLTS	REMARKS
T530	746108-10 0.455 in. dia. ceramic coil form.		<i>Primary</i> Flat, RH, close wound <i>Secondary</i> Flat, RH, 13 turns per inch in groove	1 strand 0.0063 0.015 x 0.045 soft copper	7 $\frac{5}{8}$ 4 $\frac{1}{8}$	0.310 0.015			See notes 2 and 4.
T551	746108-1 0.455 in. dia. ceramic coil form.	Same as T526	<i>Primary</i> Universal, 1 $\frac{1}{2}$ crosses per turn, 1 section <i>Secondary</i> Flat, RH, 64 turns per inch	1 strand 0.004 1 strand 0.01	328 45 $\frac{1}{8}$	28.2 0.6			See notes 2 and 4.
T552	746108-2 0.455 in. dia. ceramic coil form.	Not available at time of printing.	<i>Primary</i> Universal, 3 crosses per turn, 1 section <i>Secondary</i> Flat, RH, 44 turns per inch, in groove	3 strands 0.0025 1 strand 0.01	96 $\frac{1}{2}$ 20 $\frac{1}{8}$	8.77 0.3			See notes 2 and 4.
T553	746108-3 0.455 in. dia. ceramic coil form.	Same as T355	<i>Primary</i> Universal, 3 crosses per turn, 1 section <i>Secondary</i> Flat, RH, 24 turns per inch, in groove	3 strands 0.0025 1 strand 0.02	38 $\frac{1}{2}$ 10 $\frac{1}{8}$	3.31 0.04			See notes 2 and 4.
T554	746106-4 0.455 in. dia. ceramic coil form.	Same as T330	<i>Primary</i> Flat, RH, close wound <i>Secondary</i> Flat, RH, 13 turns per inch, in groove	1 strand 0.0063 0.015 x 0.045 soft copper	15 $\frac{1}{2}$ 6 $\frac{1}{8}$	0.622 0.016			See notes 2 and 4.

TABLE 7-12—(Continued)

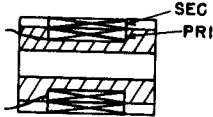
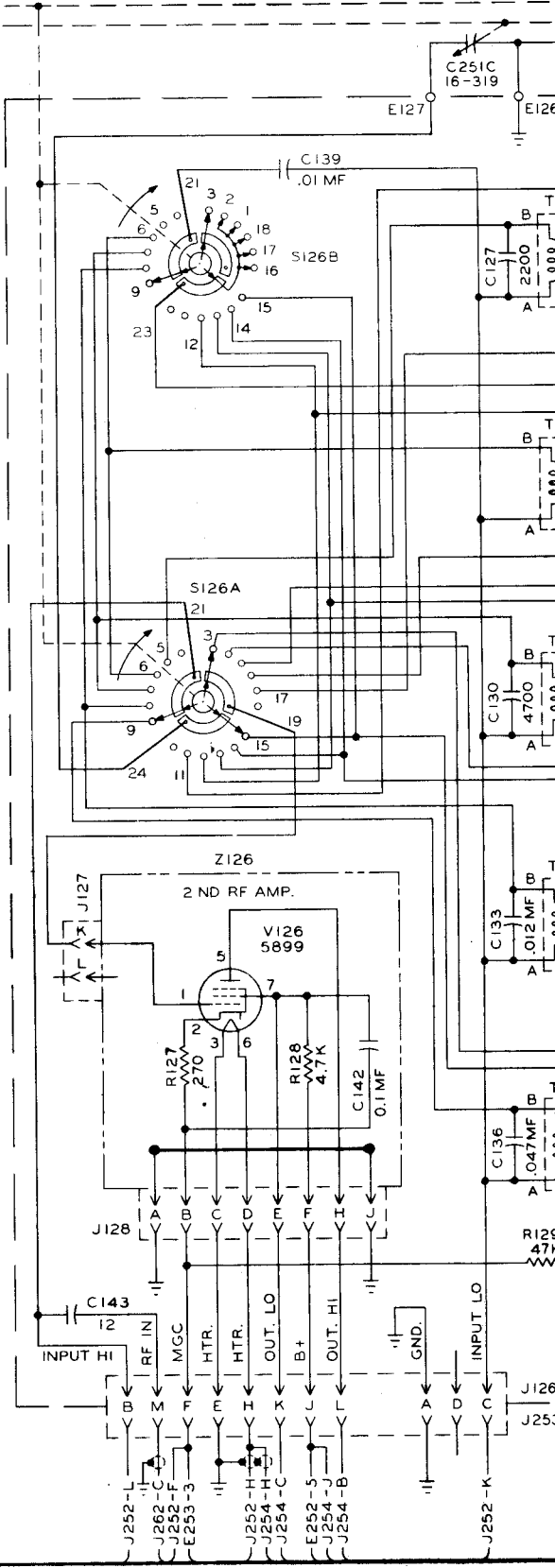
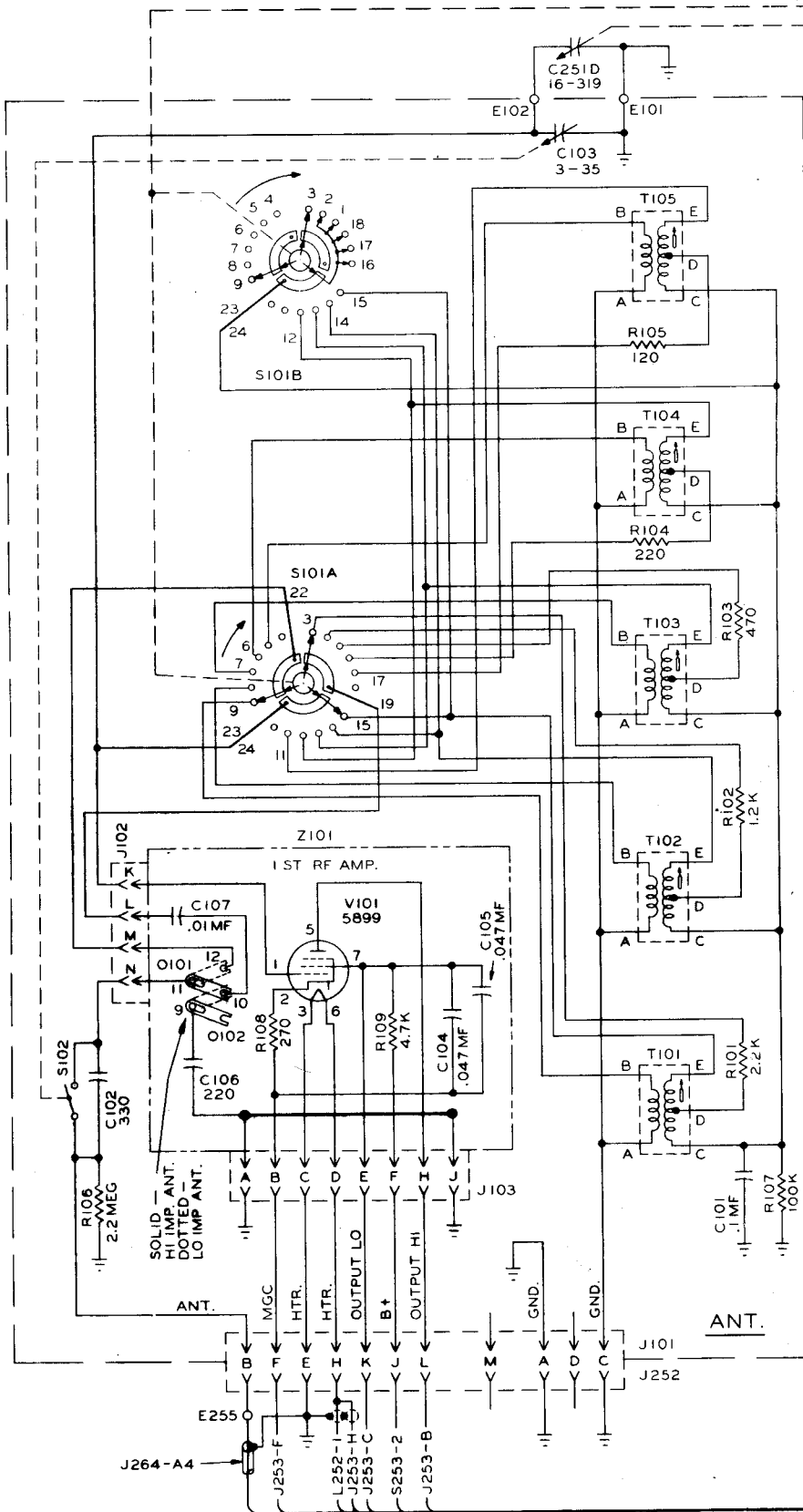
DESIG-NATION SYMBOL	R. C. A. PART NO.	DIAGRAM	WINDING	WIRE SIZE	TURNS	D. C. RESIST-ANCE IN OHMS	IMPEDANCE RATIO	HI POT. A-C VOLTS	REMARKS
T555	746108-5 0.455 in. dia. ceramic coil form.	Same as T330	<i>Primary</i> Universal, 3 crosses per turn, 1 section <i>Secondary</i> Flat, RH, 24 turns per inch in groove	3 strands 0.0025 1 strand 0.02	38½ 10½	0.313 0.013			See notes 2 and 4.
T703, T801, T901	746104-25 0.118 in. dia. powdered iron coil form.		<i>Primary</i> Random <i>Secondary</i> Random	1 strand 0.004 1 strand 0.004	300½ 22½	12.7 1.35			Wind secondary over primary, use tape between layers. See notes 2 and 3.
T1011, T1012	746104-30 0.118 in. dia. powdered iron coil form.	Same as T703	<i>Primary</i> Random <i>Secondary</i> Random	1 strand 0.004 1 strand 0.004	305½ 22½	12.6 1.35			Wind secondary over primary, use tape between layers. See notes 2 and 3.
T1013	746104-29 0.118 in. dia. powdered iron coil form.	Same as T703	<i>Primary</i> Random <i>Secondary</i> Random	1 strand 0.004 1 strand 0.004	254½ 15½	10.4 0.9			Wind secondary over primary, use tape between layers. See notes 2 and 3.
T1014	746106-16 0.247 in. dia. powdered iron coil form.	Not available at time of printing.	<i>Primary</i> Random bound between pieces of secondary <i>Secondary</i> Universal, 1 cross per turn, 2 sections	1 strand 0.004 30 strands 0.002	28 70 turns per section	1.7 1.13			See notes 2 and 4.

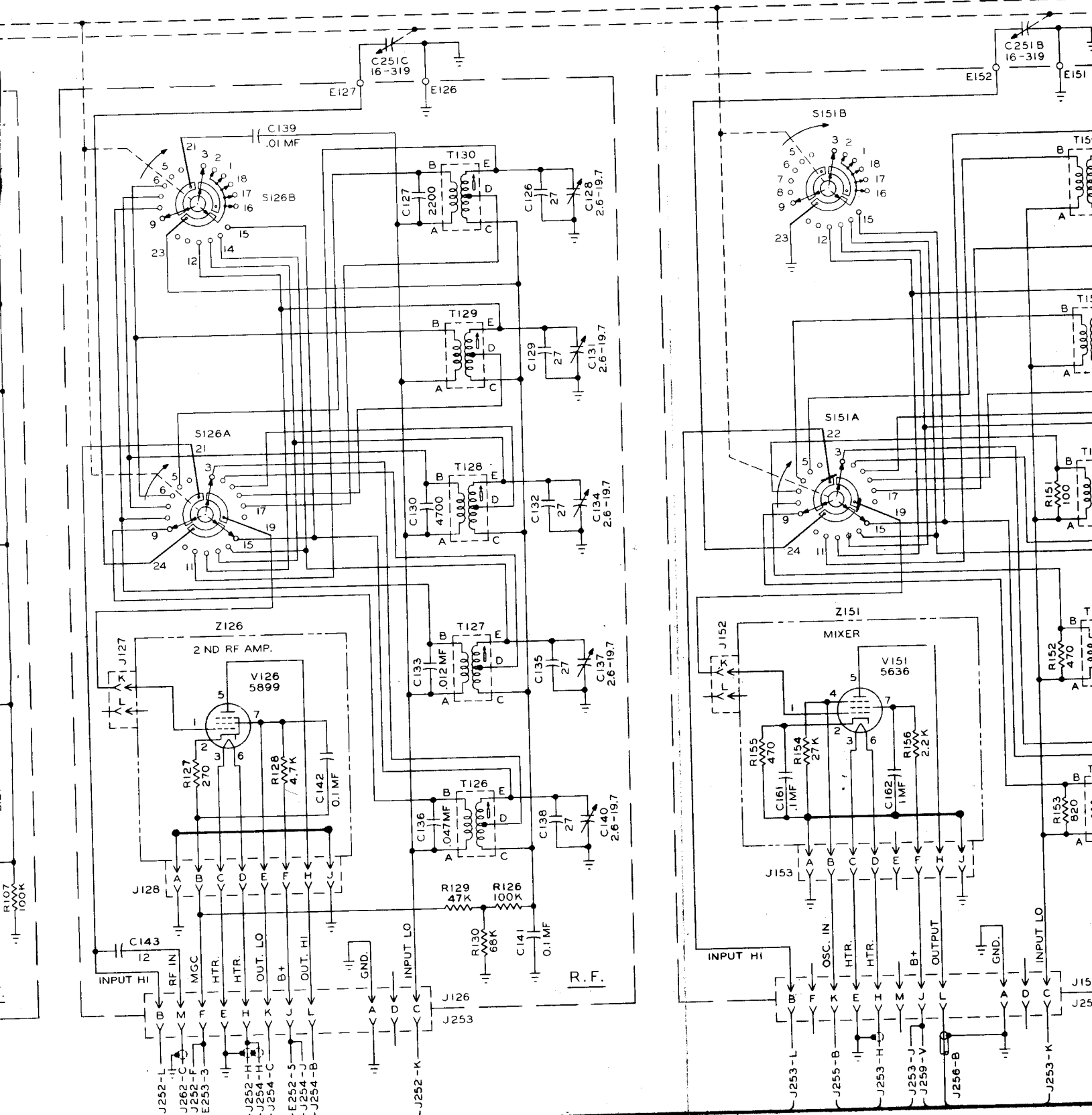
TABLE 7-12—(Continued)

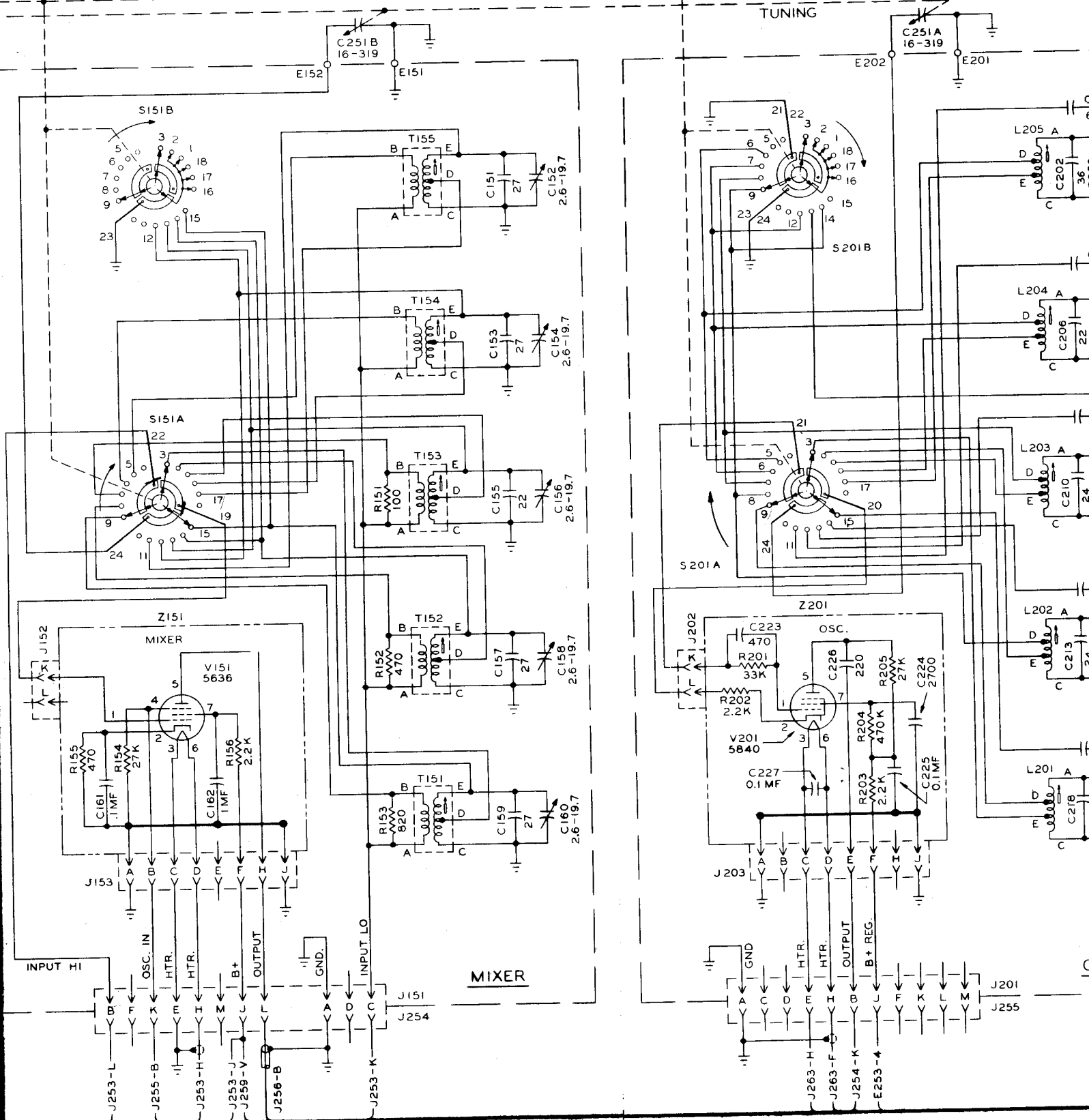
DESIGNATION SYMBOL	R. C. A. PART NO.	DIAGRAM	WINDING	WIRE SIZE	TURNS	D. C. RESISTANCE IN OHMS	IMPEDANCE RATIO	HI POT. A-C VOLTS	REMARKS
T1101	8842479-1		Primary	.0035 Heavy Formex	90	327			Insulate Electrostatic Shield with $\frac{3}{4}$ inch tape, then wind with exposed side of Electrostatic Shield out, then secure with 1 turn of $1\frac{1}{2}$ inch tape.
			Secondary	.0071 Heavy Formex	210	7.62 7.14:1			
			Tertiary	.0071 Heavy Formex	246 tap at 123	10.8 6.1:1			
			Electrostatic Shield	.002 copper .4 x 3	1	1000			
T1601	8889252		6-4	#23 Formex	390 turns tap 1 at 28 2 at 330 3 at 360	4.0			All windings are 700 V test except the H.V. secondary which is 2300 V test.
			5-7	#32 Formex	1530 tap at 765	163.0			
			8-9	#26 Formex	16½	0.49			
			10-11	#25 Formex	33½	0.95			
			11-12-13	#2 x 15 Formex	20 tap at 10				
			13-14	#20 Formex	10				

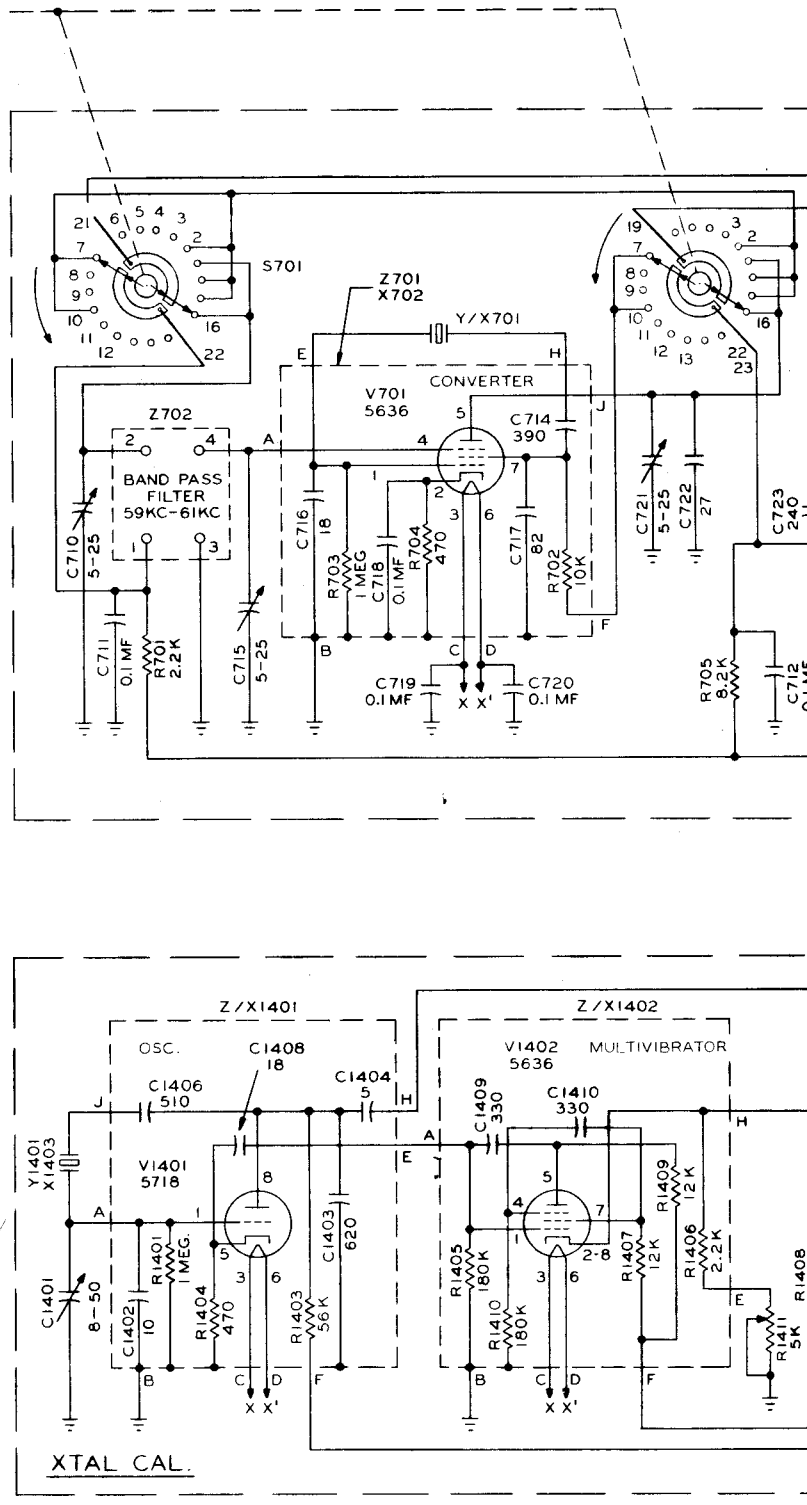
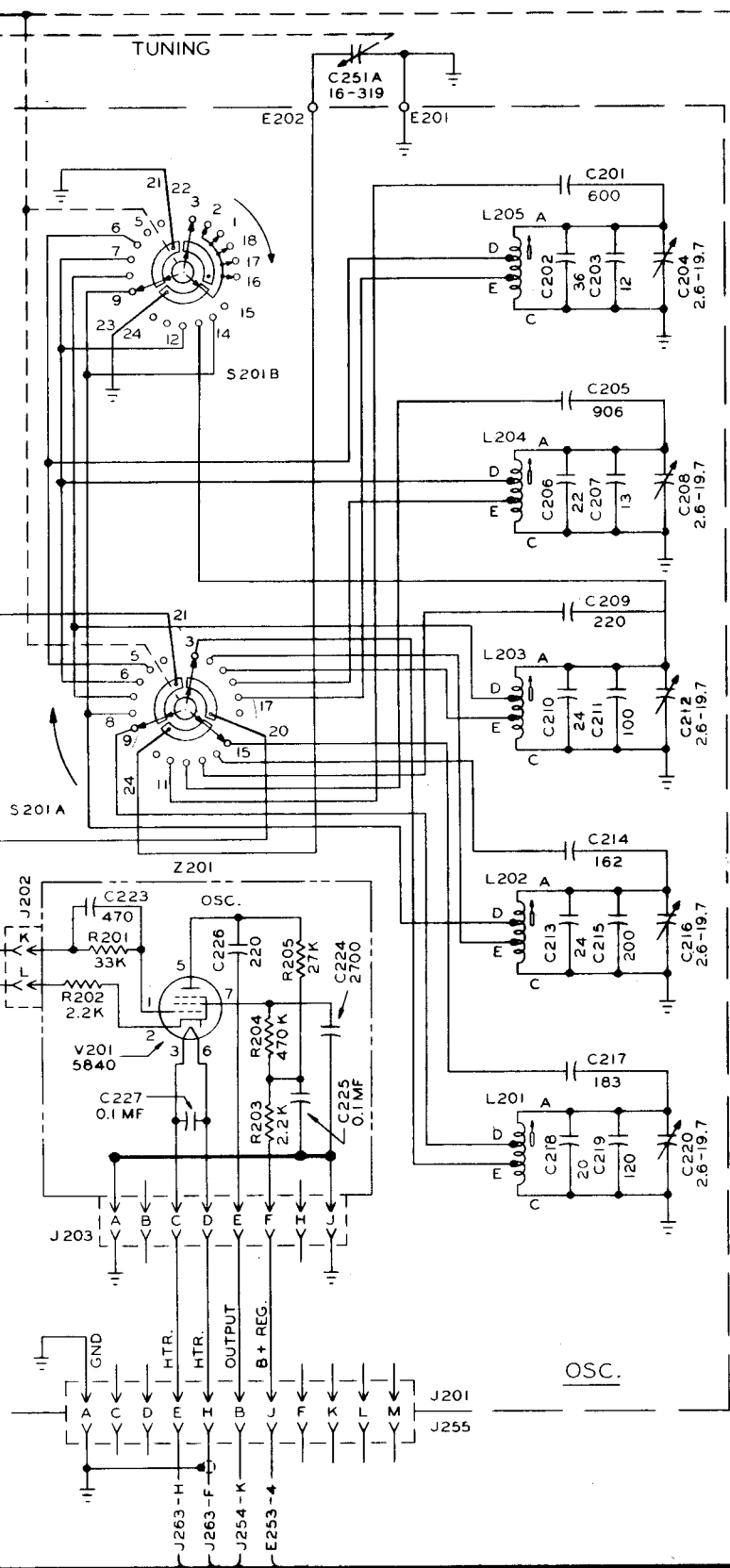
NOTES:

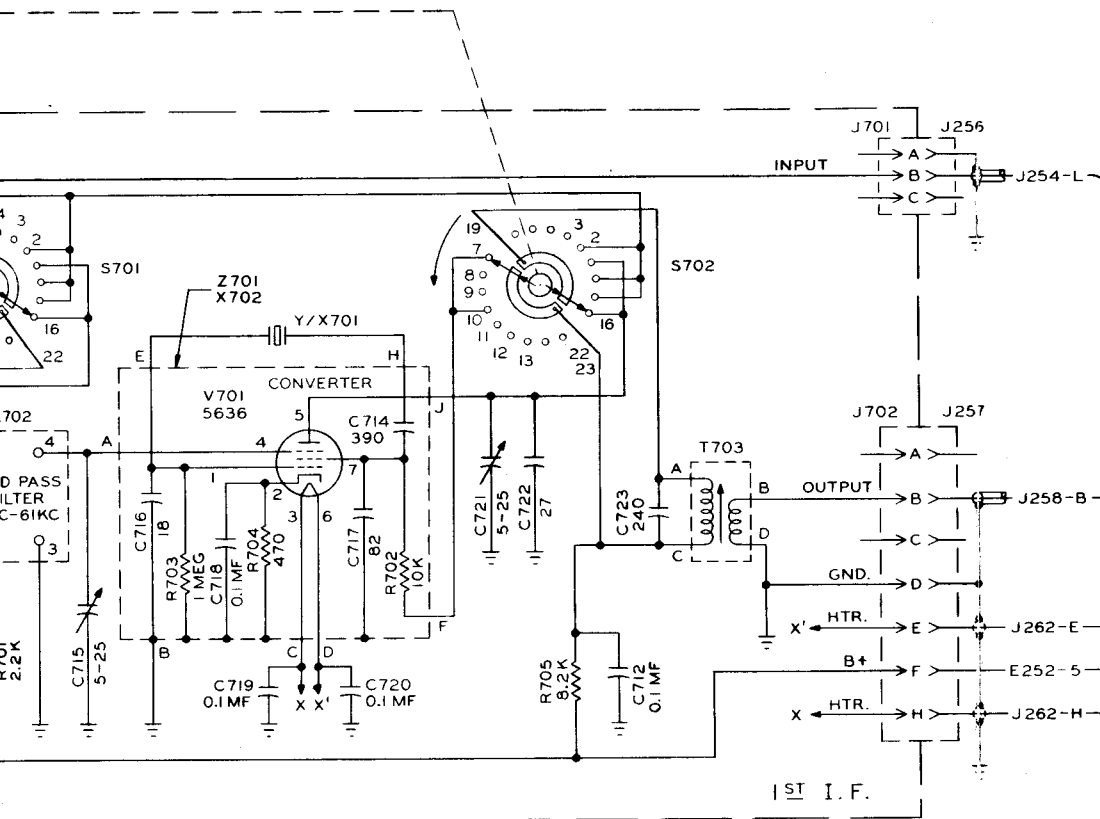
- Note 1: Wind coil over 1 layer of tape, and make taps by raising a loop in the conductor.
- Note 2: Wind continuously without break or splice, extend all leads $\frac{1}{2}$ inch beyond end of coil form, strip and tin $\frac{3}{8}$ inch of lead ends. Apply cement to outside edges of the coils, keep ends of coil form free of cement.
- Note 3: Fasten finish of each winding with tape ($\frac{1}{4}$ by $\frac{3}{4}$) and moisten tape with acetone.
- Note 4: Fasten start and finish of each winding with tape ($\frac{1}{4}$ by $\frac{3}{4}$) and moisten tape with acetone.
- Note 5: Apply lacquer to outside edge of coil after winding.





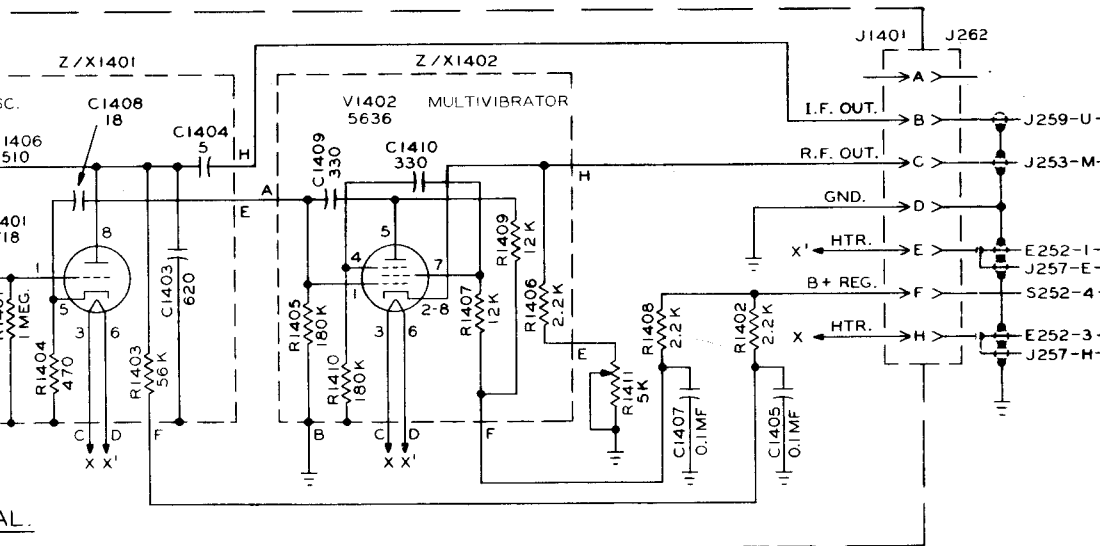






NOTES —

1. SWITCHES SHOWN IN BAND 1.
 BAND 1 — 14 KC TO 30 KC
 BAND 2 — 30 KC TO 63 KC
 BAND 3 — 63 KC TO 133 KC
 BAND 4 — 133 KC TO 283 KC
 BAND 5 — 283 KC TO 600 KC
 RED DOT LOCATES TERMINAL 1. BLACK DOT LOCATES TERMINAL 2.
2. UNLESS OTHERWISE INDICATED, ALL RESISTANCE VALUES ARE IN OHMS; ALL CAPACITANCE VALUES ARE IN P.F.



SEE SHEET 2

Figure 7-12. Schematic Diagram (Sheet 1)

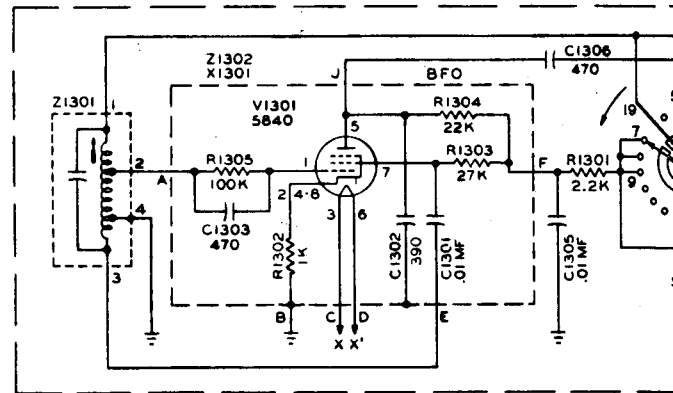
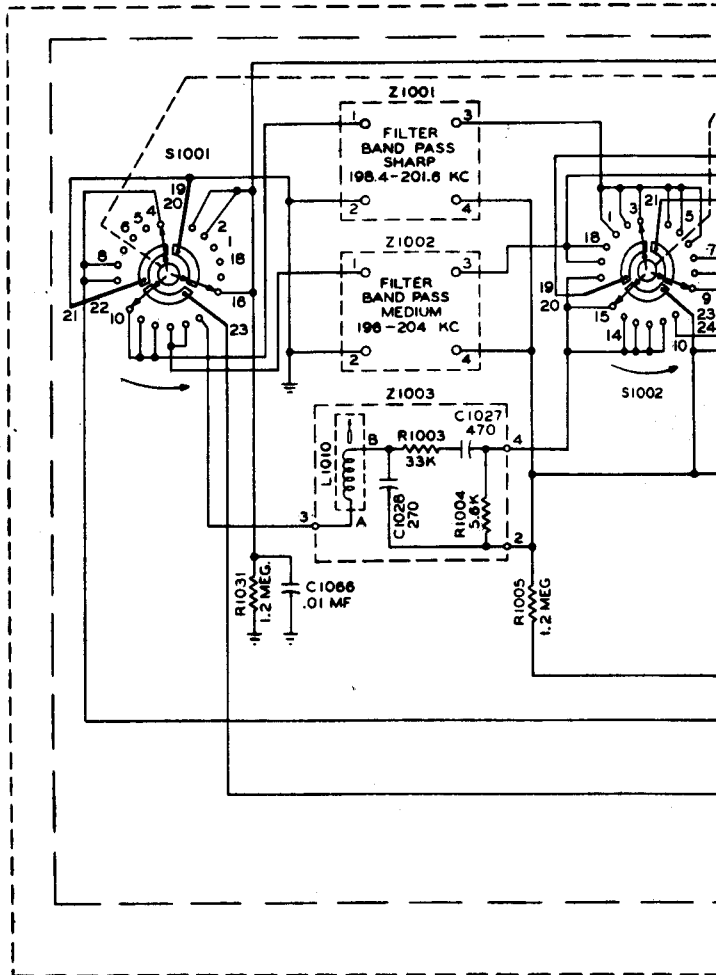
NOTES —

1. SWITCHES SHOWN IN BAND 1.
BAND 1 — 14 KC TO 30 KC
BAND 2 — 30 KC TO 63 KC
BAND 3 — 63 KC TO 133 KC
BAND 4 — 133 KC TO 283 KC
BAND 5 — 283 KC TO 600 KC
RED DOT LOCATES TERMINAL 1. BLACK DOT LOCATES TERMINAL 9.
2. UNLESS OTHERWISE INDICATED, ALL RESISTANCE VALUES ARE GIVEN IN OHMS; ALL CAPACITANCE VALUES IN MMF.



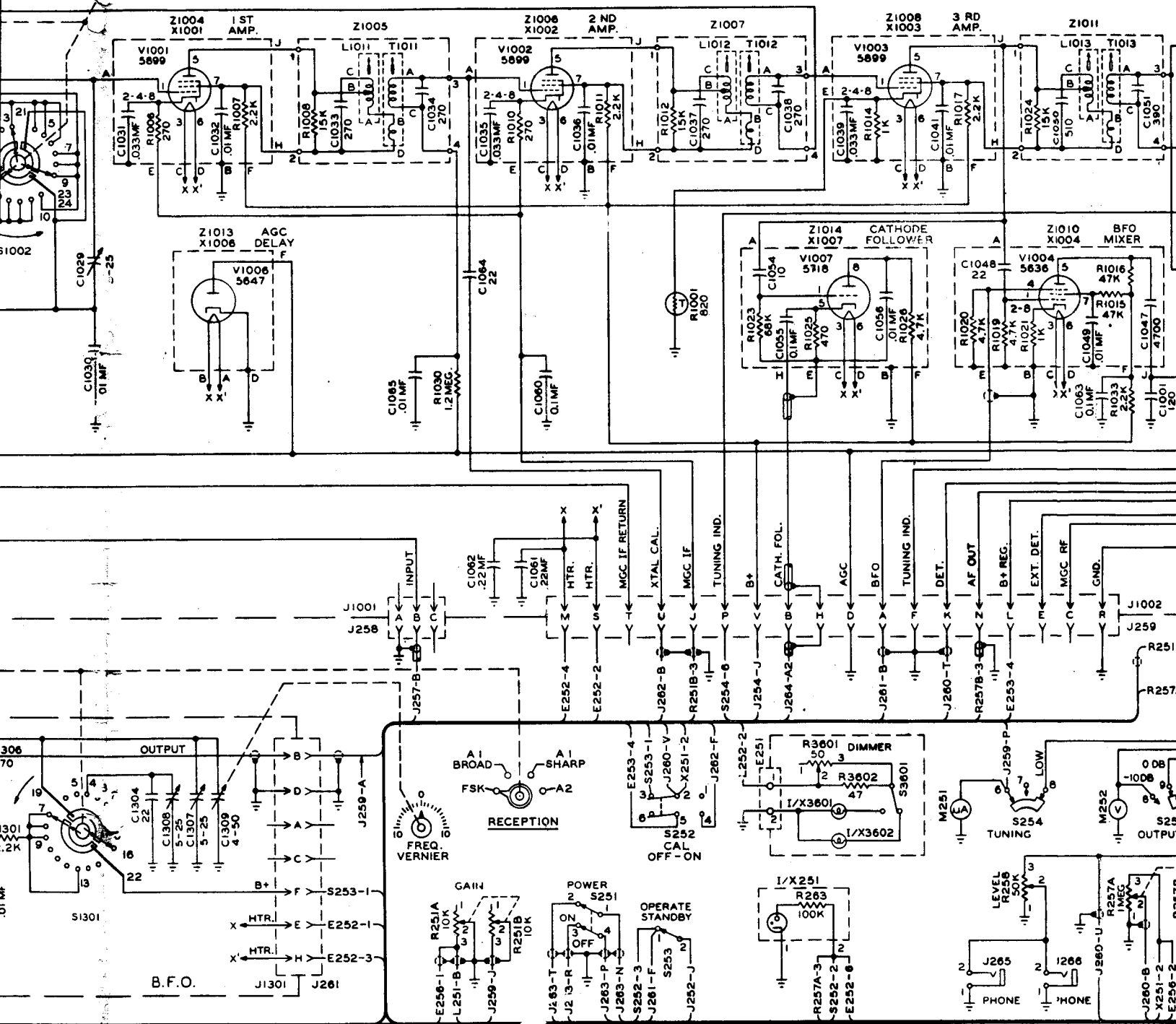
Figure 7-12. Schematic Diagram, AN/SRR-11
(Sheet 1)

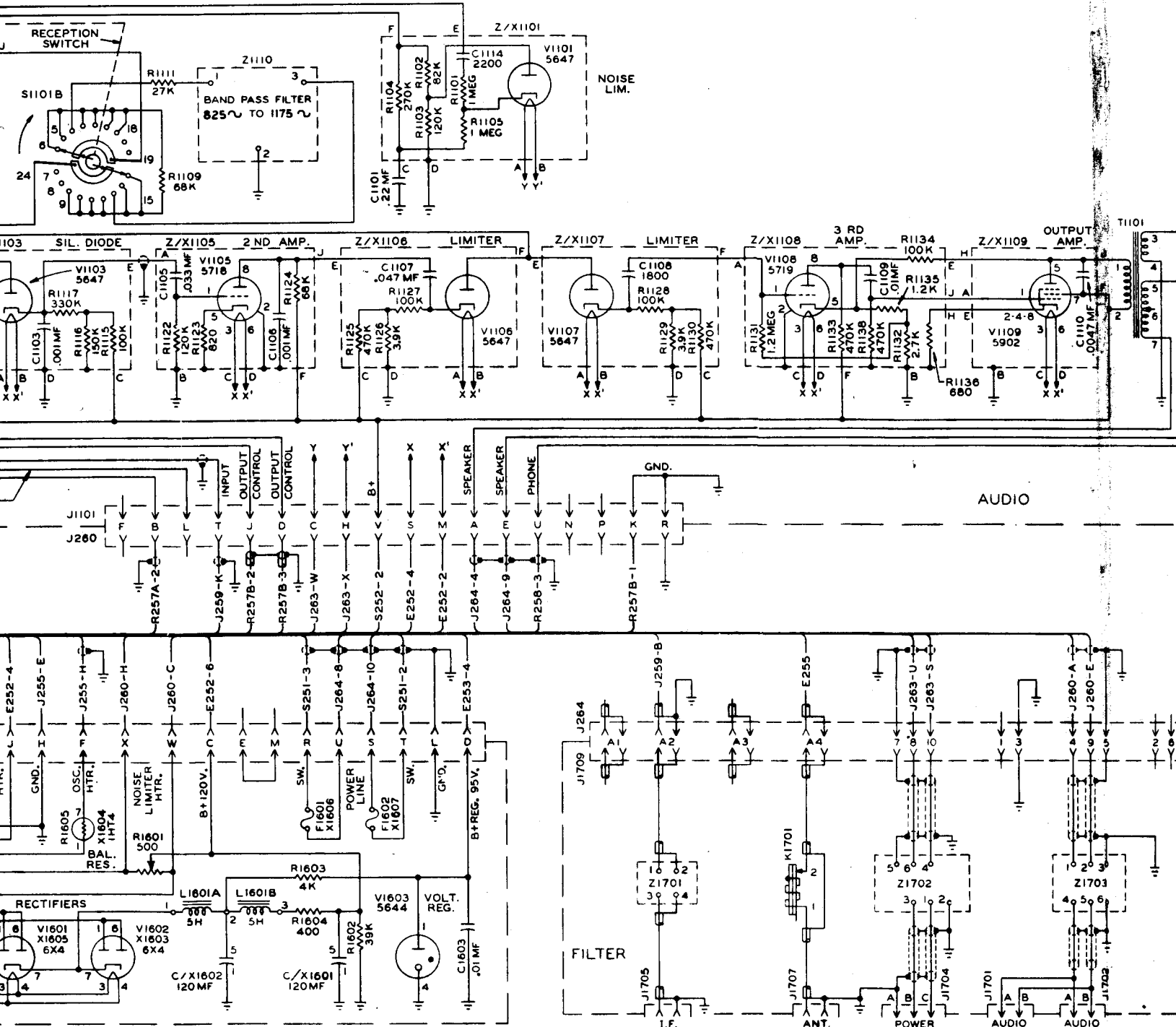
AN/SRR-11, -12, -13
CORRECTIVE MAINTENANCE

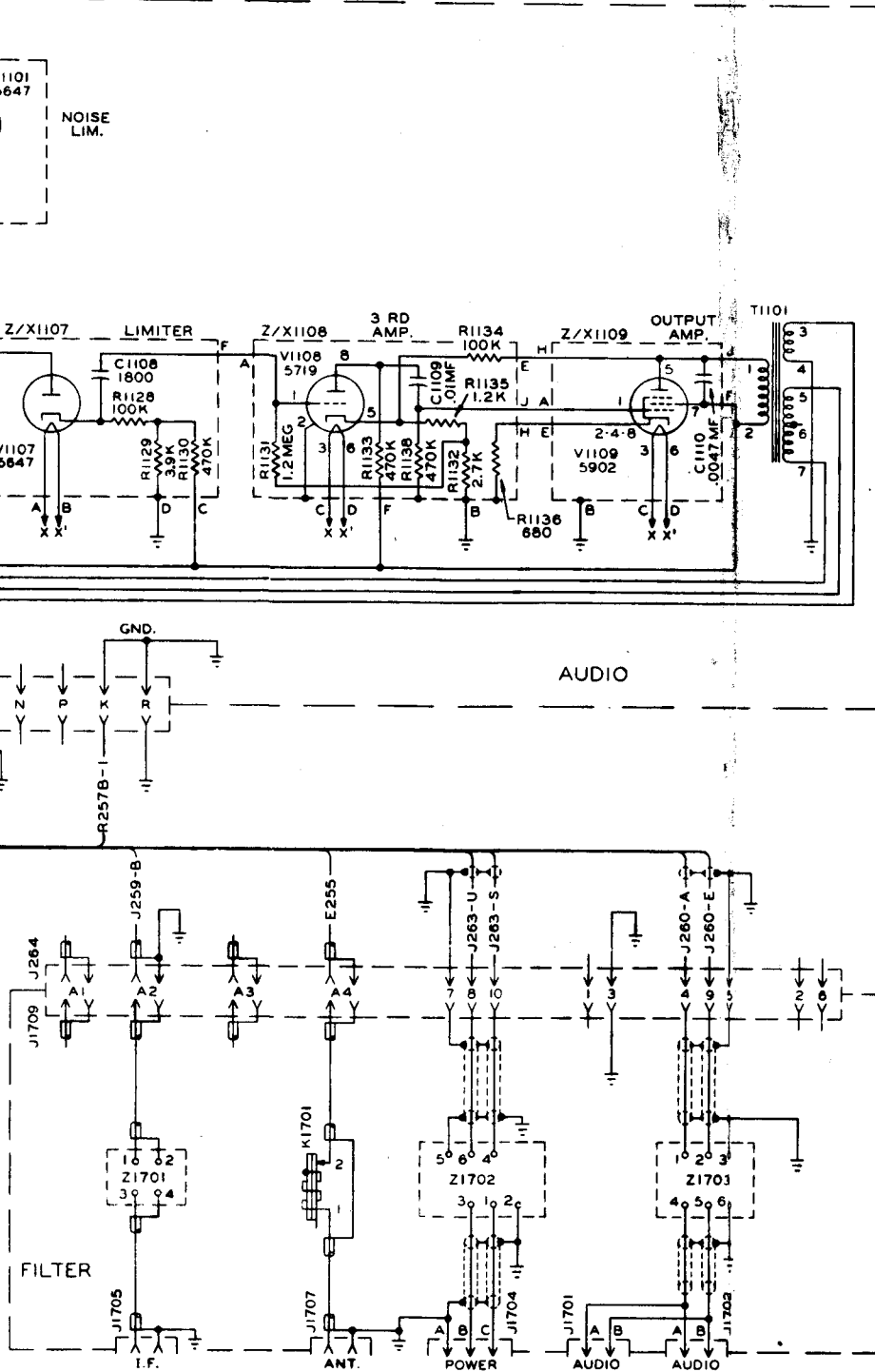


SEE SHEET 1

CHANGE 1







NOTES -

1. UNLESS OTHERWISE INDICATED ALL RESISTANCE VALUES ARE GIVEN IN OHMS. ALL CAPACITANCE VALUES IN MMF.
2. ARROWS AT SWITCHES INDICATE DIRECTION OF ROTATION WHEN VIEWED FROM CONTROL END OF PRIMARY SUB-ASSEMBLIES WITH FRONT PANEL CONTROL ROTATING CLOCKWISE.
3. ON SWITCHES S1001, S1002, S1003, S1101 & S1301 RED DOT LOCATES TERMINAL 1. BLACK DOT LOCATES TERMINAL 9.
4. SUBSTITUTE THE FOLLOWING SKETCH FOR TUBES WITH SYMBOL NUMBERS V1005, V1101, V1103, V1106 and V1107 ON EQUIPMENTS BEARING SERIAL NUMBERS 1276 AND UP.

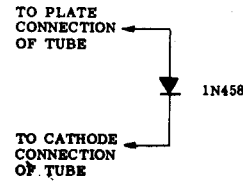
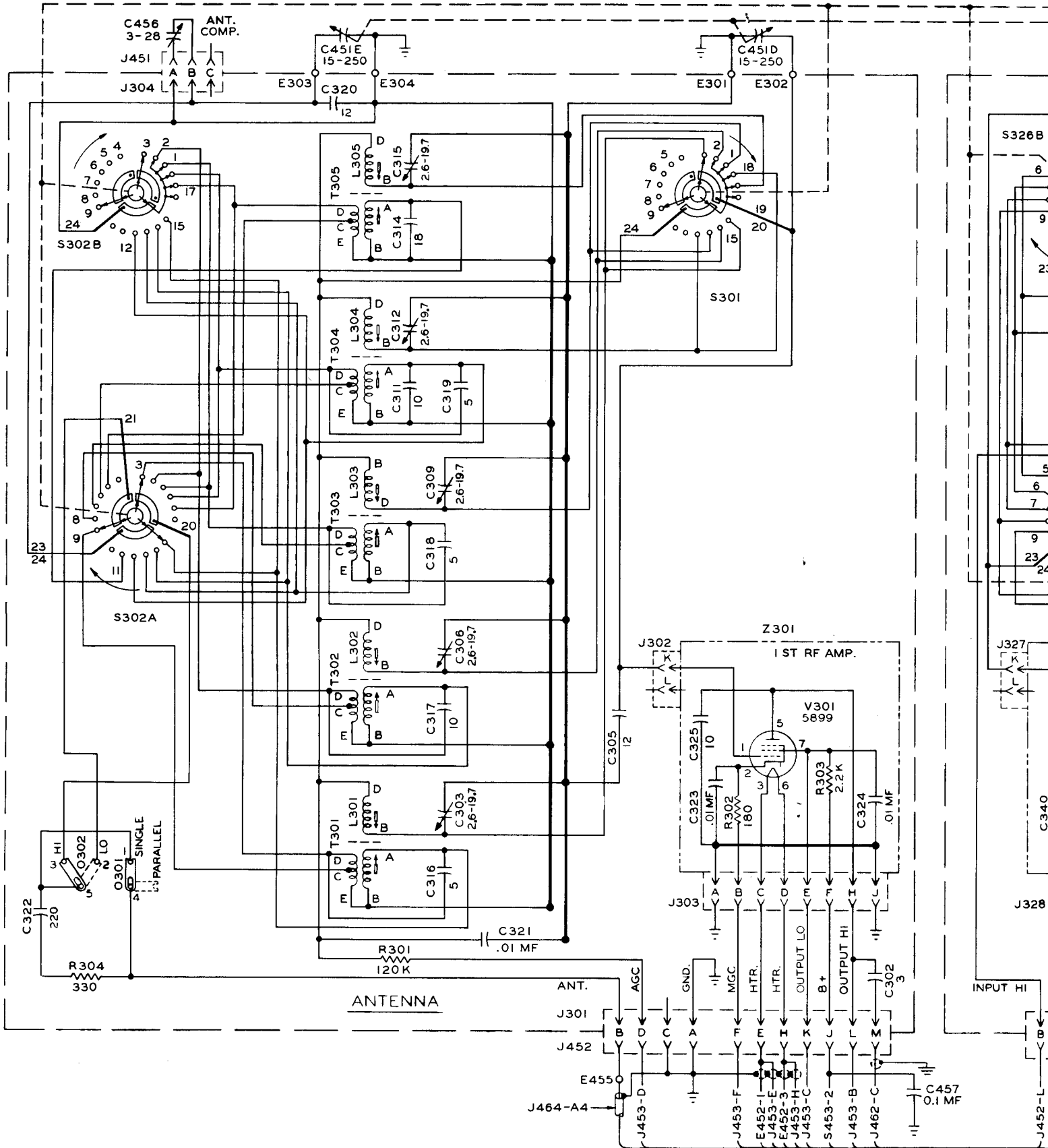
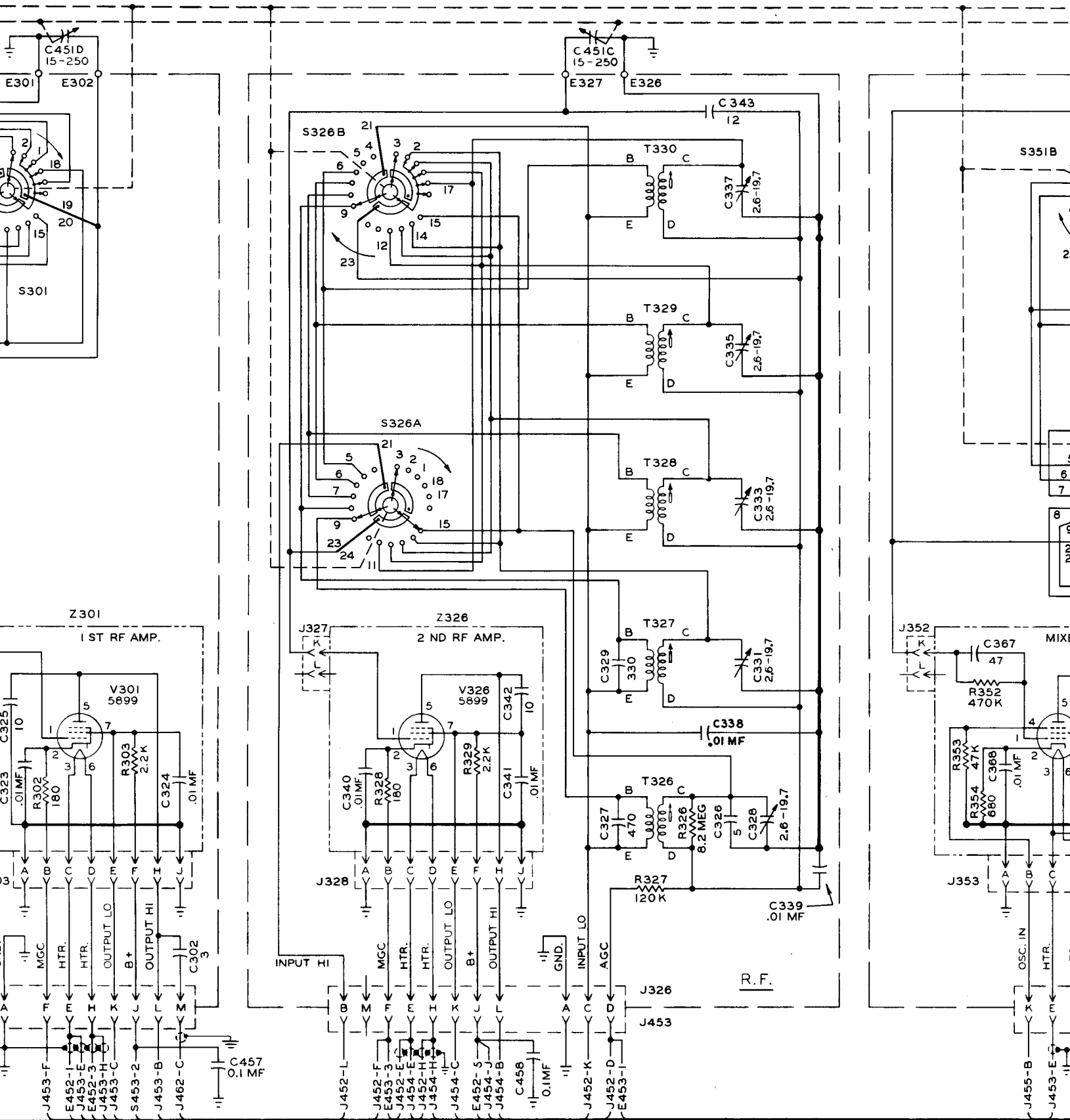
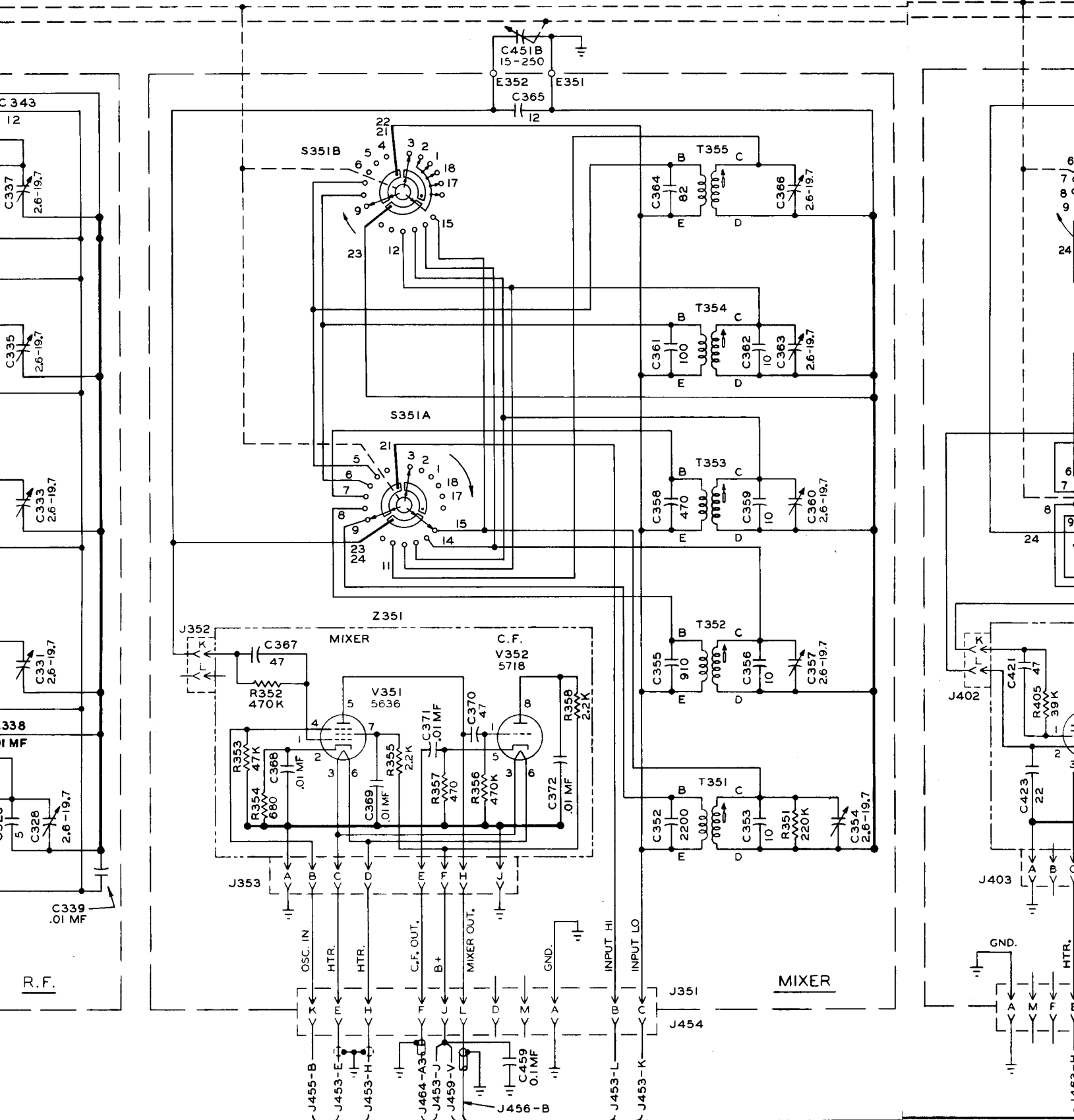
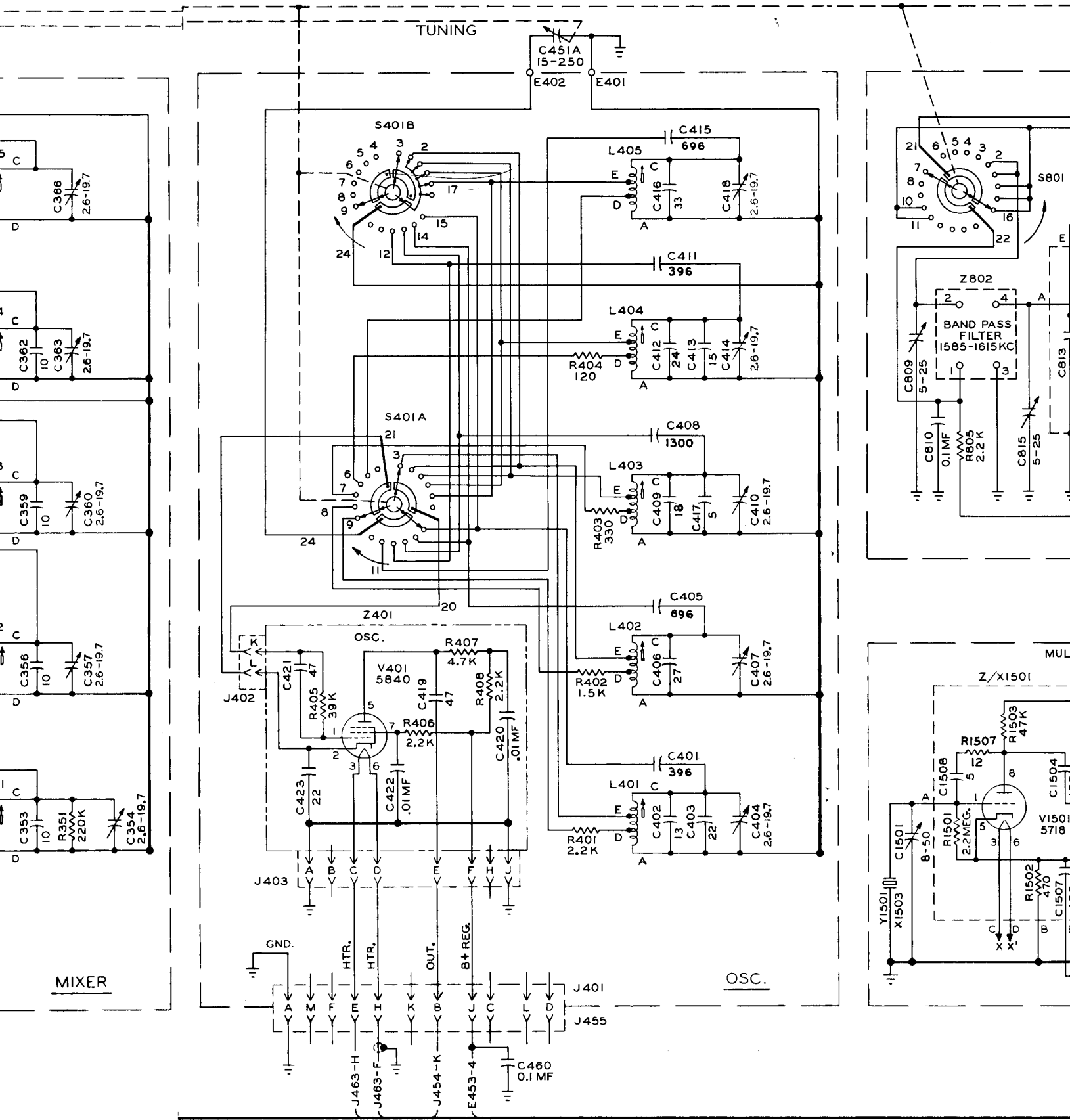


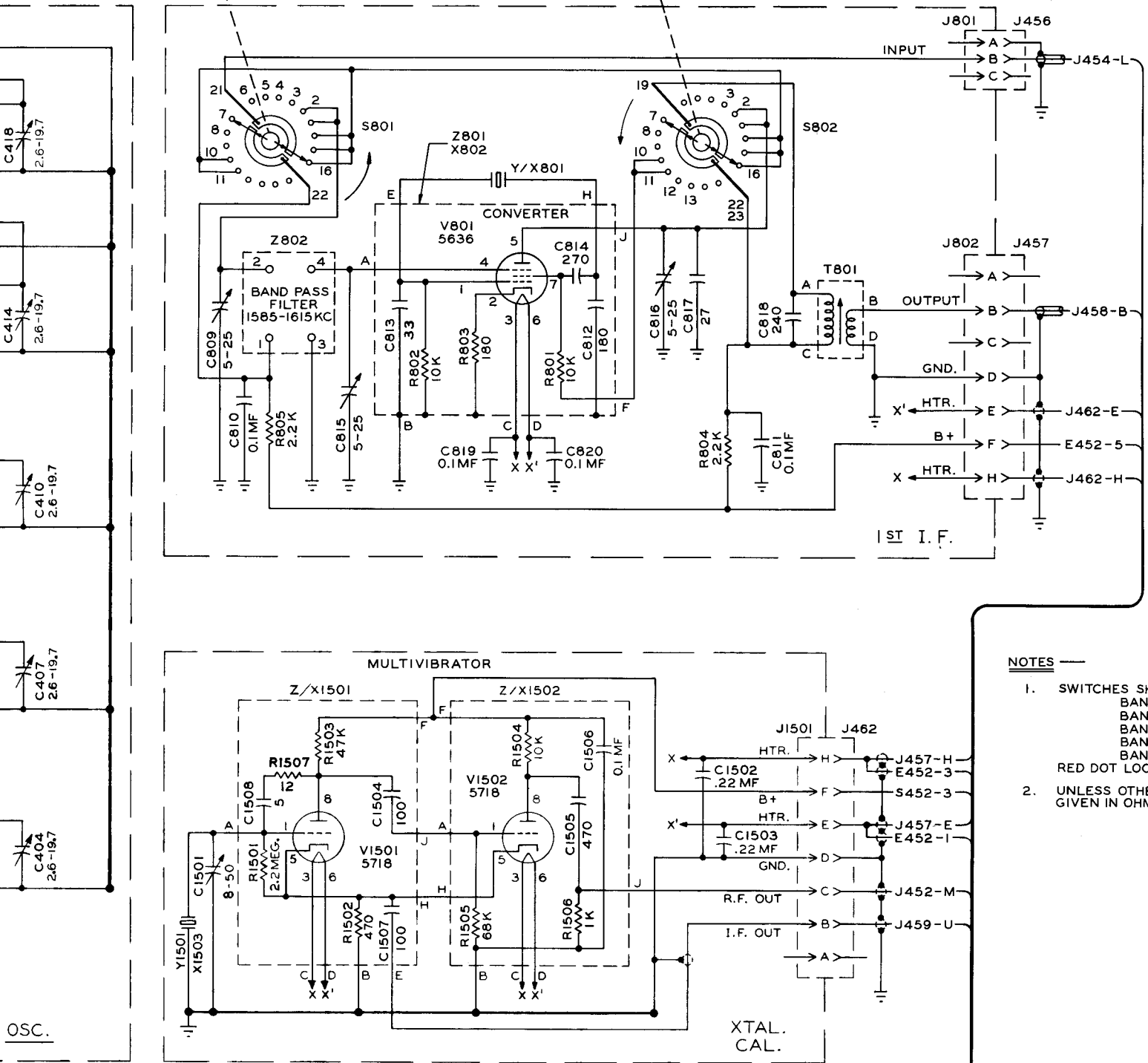
Figure 7-12. Schematic Diagram, AN/SRR-11 (Sheet 2)







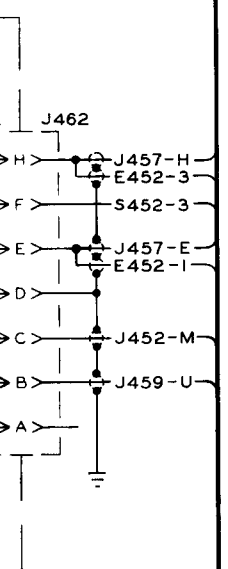
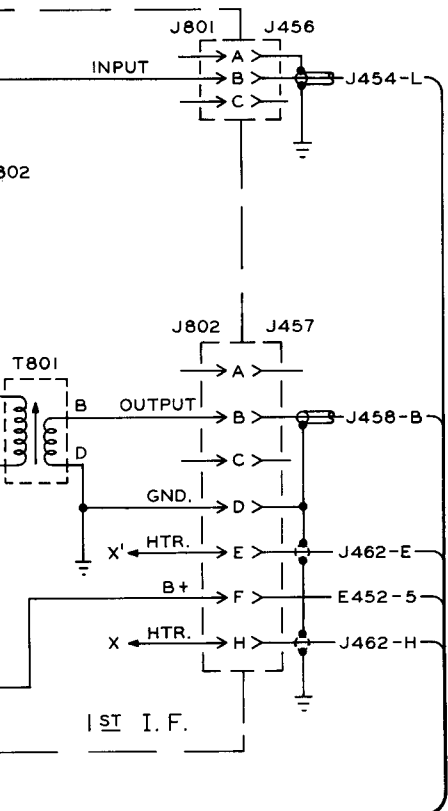




- NOTES**
1. SWITCHES SHOWN IN
BAND 1 - 25
BAND 2 - 50
BAND 3 - 1
BAND 4 - 2
BAND 5 - 4
RED DOT LOCATES TERMINAL
 2. UNLESS OTHERWISE INDICATED,
RESISTOR VALUES ARE GIVEN IN OHMS; ALL
CAPACITOR VALUES ARE IN P.F.

SEE SHEET 2

Figure 7-13.

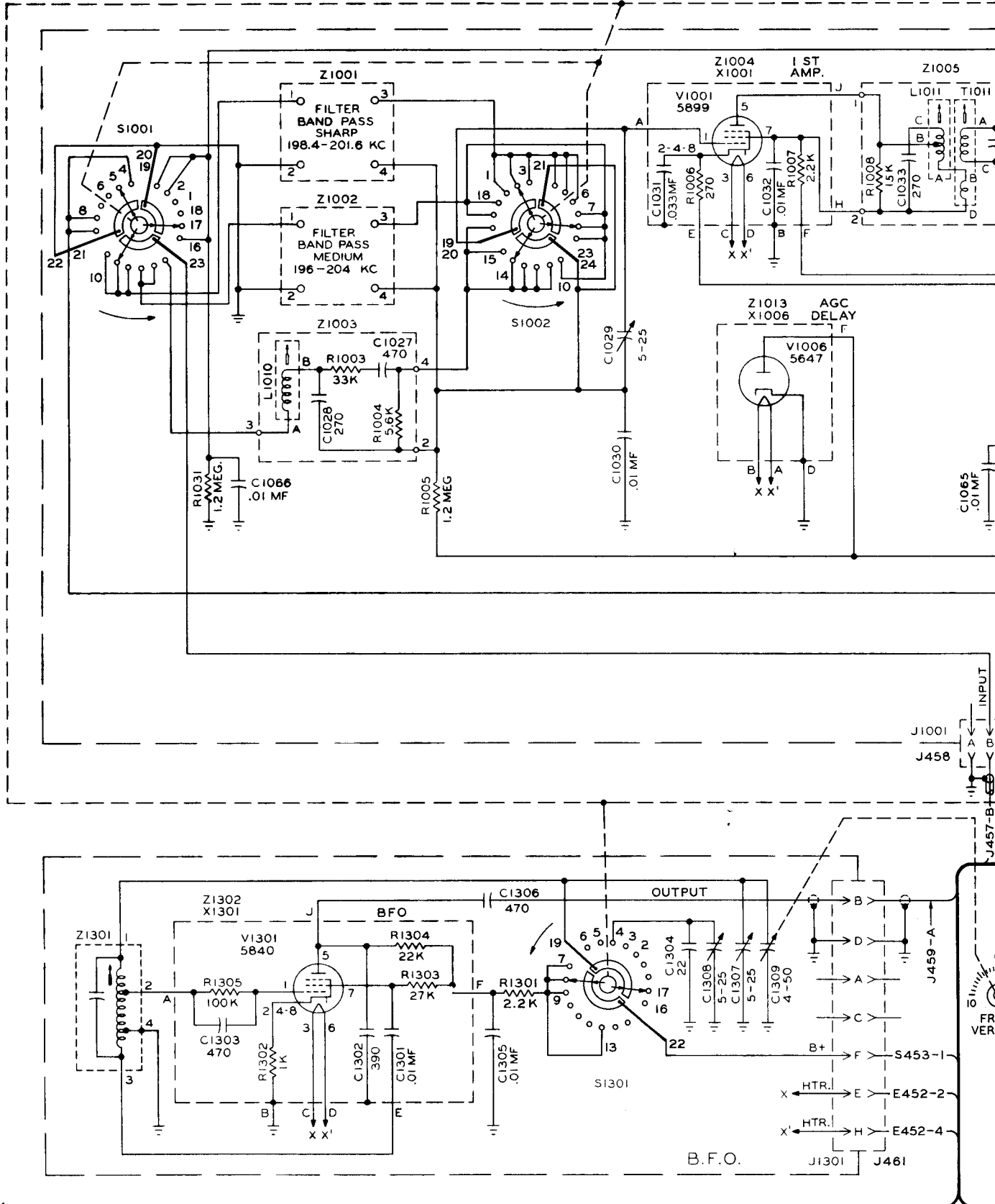


NOTES

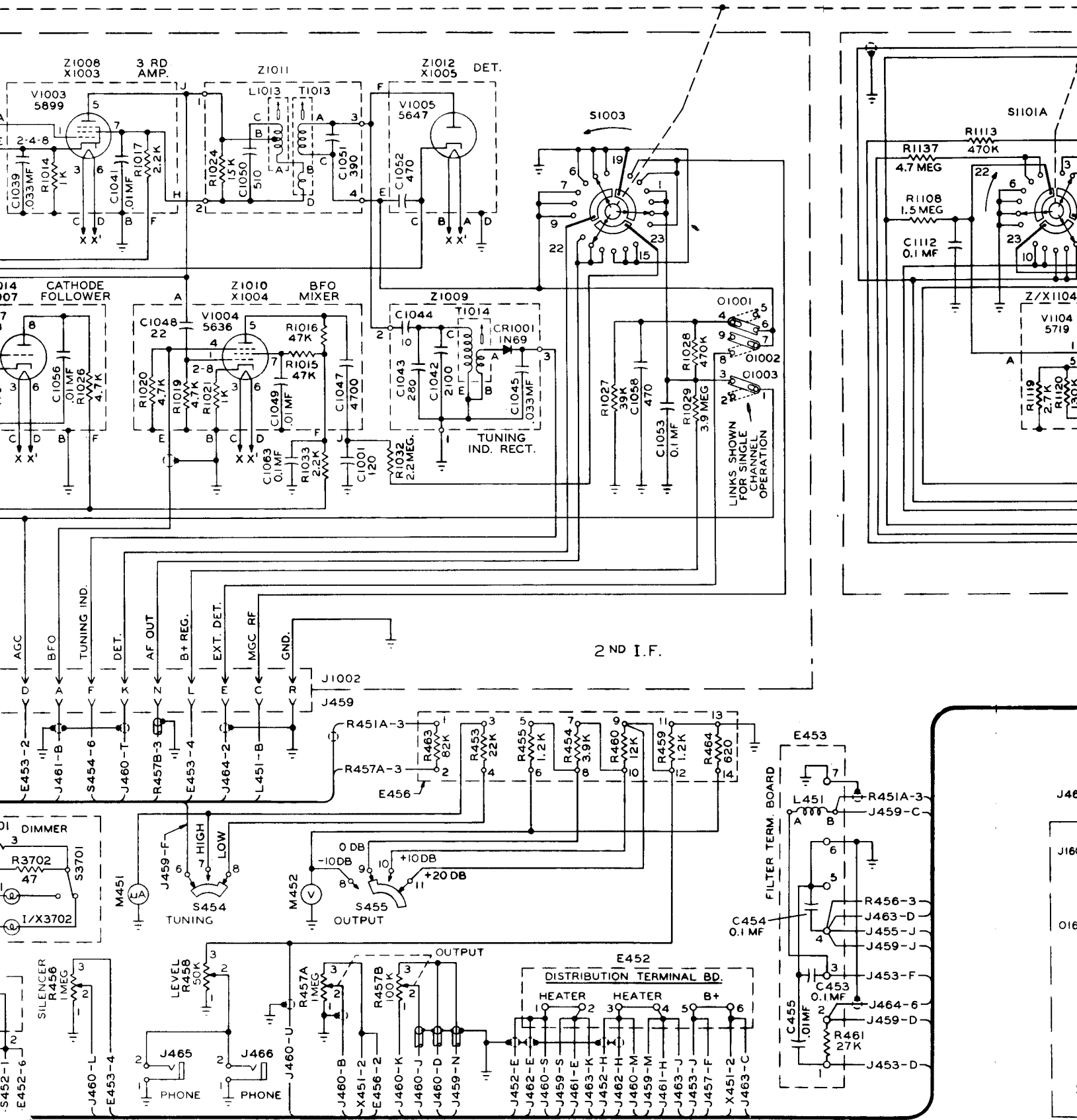
1. SWITCHES SHOWN IN BAND 1.
 BAND 1 - 250 KC TO 500 KC
 BAND 2 - 500 KC TO 1 MC
 BAND 3 - 1 MC TO 2 MC
 BAND 4 - 2 MC TO 4 MC
 BAND 5 - 4 MC TO 8 MC
 RED DOT LOCATES TERMINAL 1. BLACK DOT LOCATES TERMINAL 9.
2. UNLESS OTHERWISE INDICATED ALL RESISTANCE VALUES ARE GIVEN IN OHMS; ALL CAPACITANCE VALUES IN MMF.

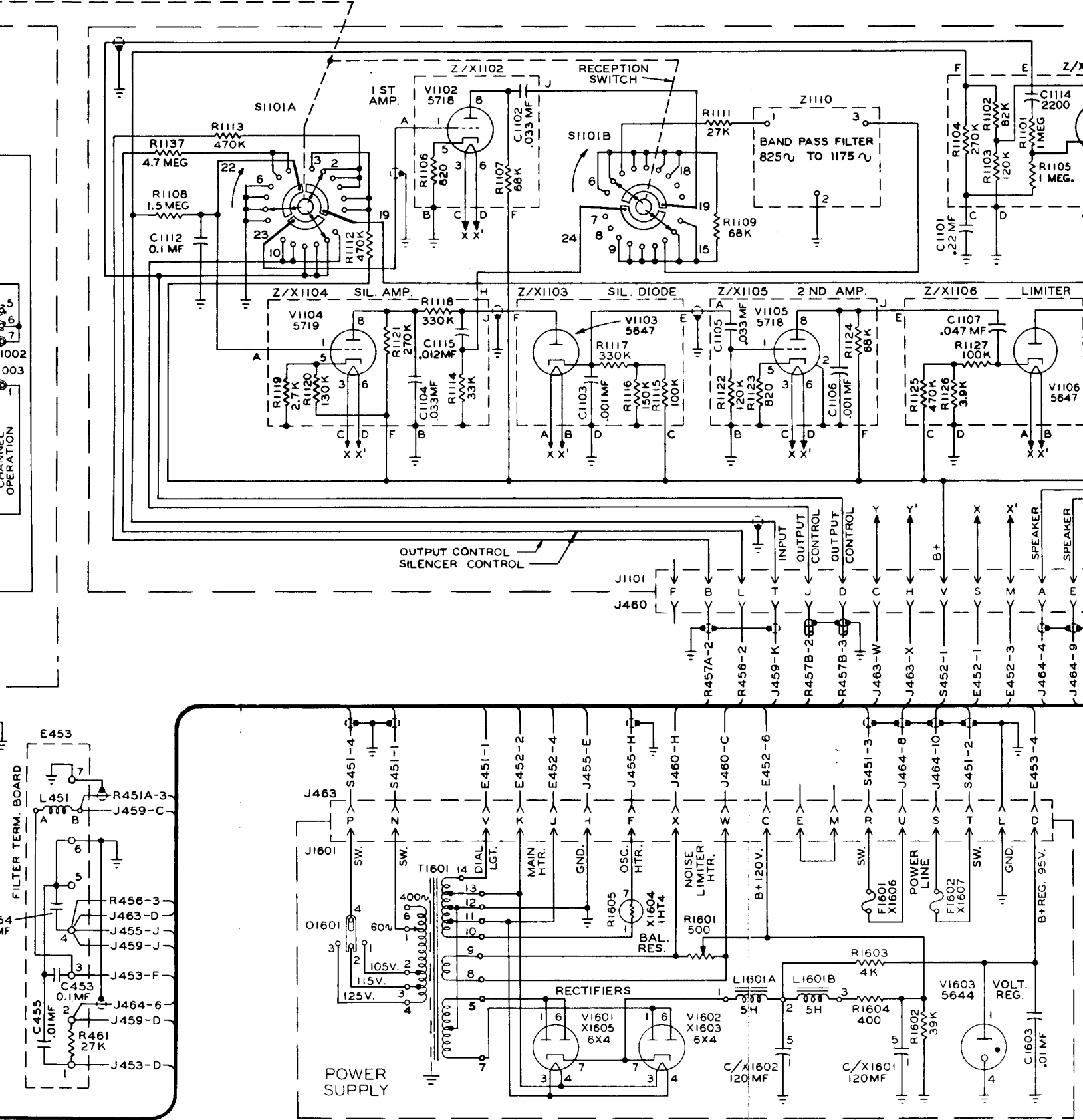
SEE SHEET 2

Figure 7-13. Schematic Diagram, AN/SRR-12
(Sheet 1)



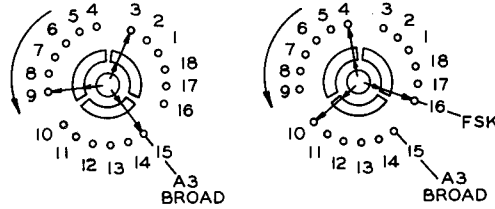
SEE SHEET 1





NOTES —

1. UNLESS OTHERWISE INDICATED ALL RESISTANCE VALUES ARE GIVEN IN OHMS, ALL CAPACITANCE VALUES IN MMF.
2. ARROWS AT SWITCHES INDICATE DIRECTION OF ROTATION WHEN VIEWED FROM CONTROL END OF PRIMARY SUB-ASSEMBLIES WITH FRONT PANEL CONTROL ROTATING CLOCKWISE.
3. WHEN SWITCHING FROM A3 BROAD TO FSK ON THE 3 SEGMENT SWITCHES, THE SWITCH ARM WILL MOVE FROM ONE COMMON SWITCH SEGMENT TO THE FOLLOWING ONE AS SHOWN



RED DOT LOCATES TERMINAL 1. BLACK DOT LOCATES TERMINAL 9.

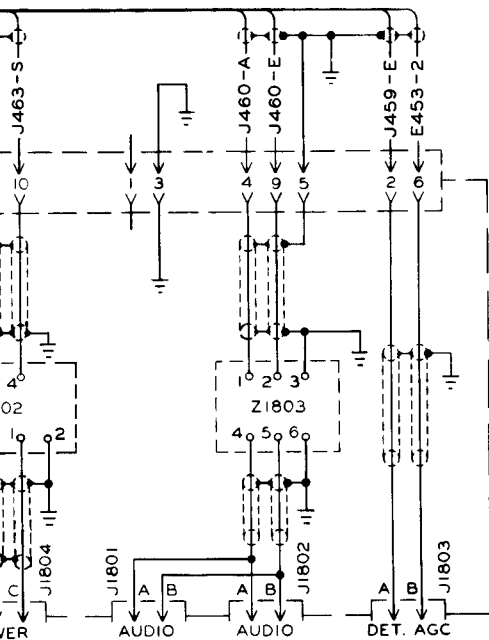
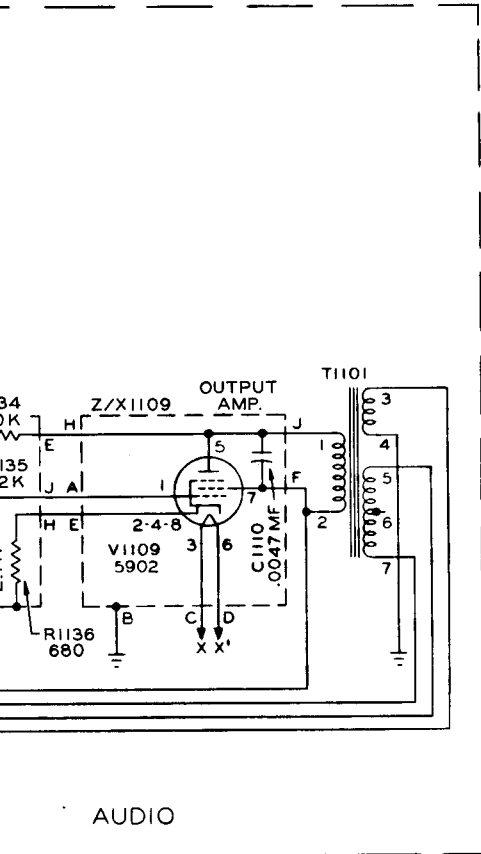
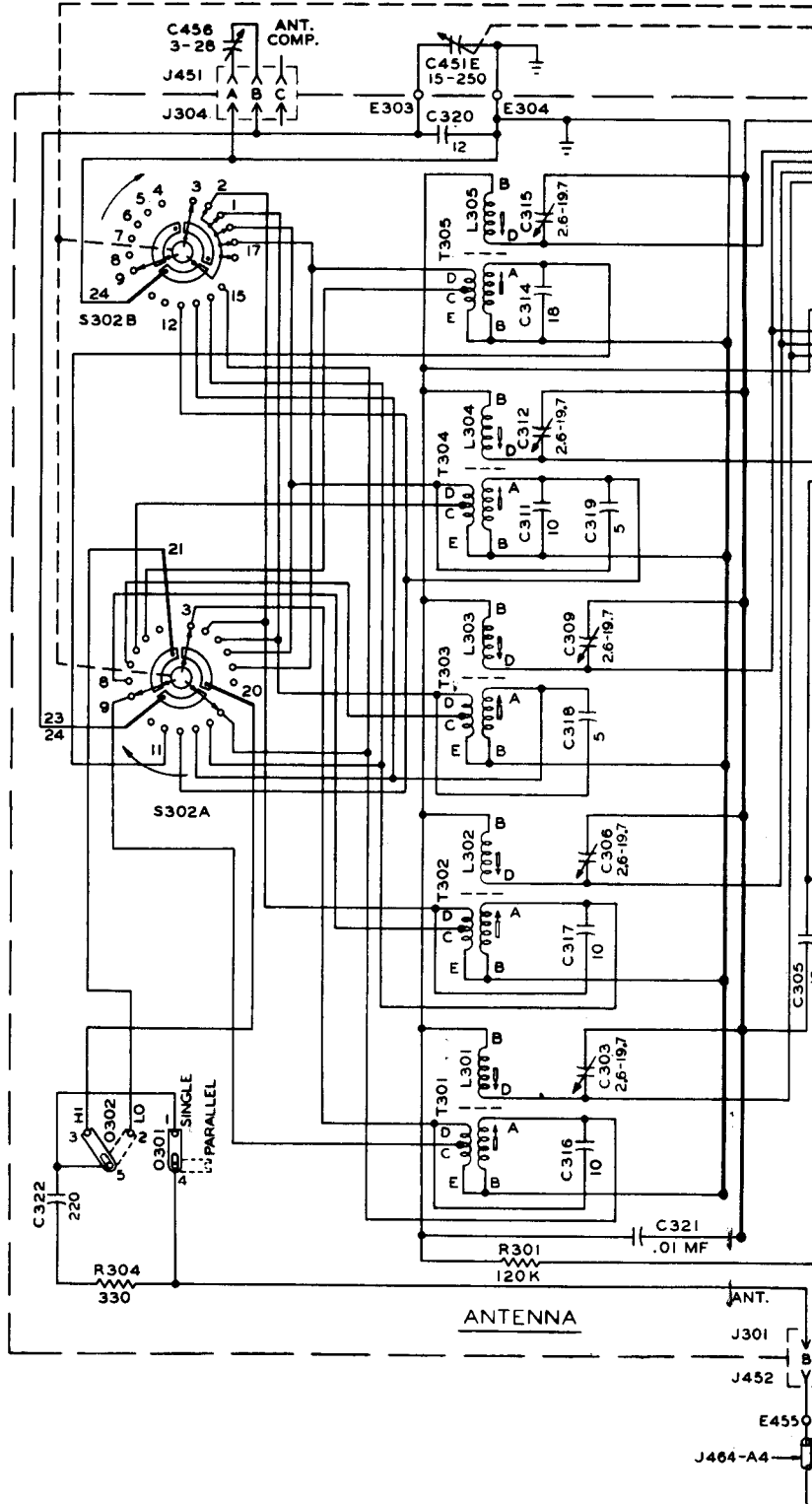
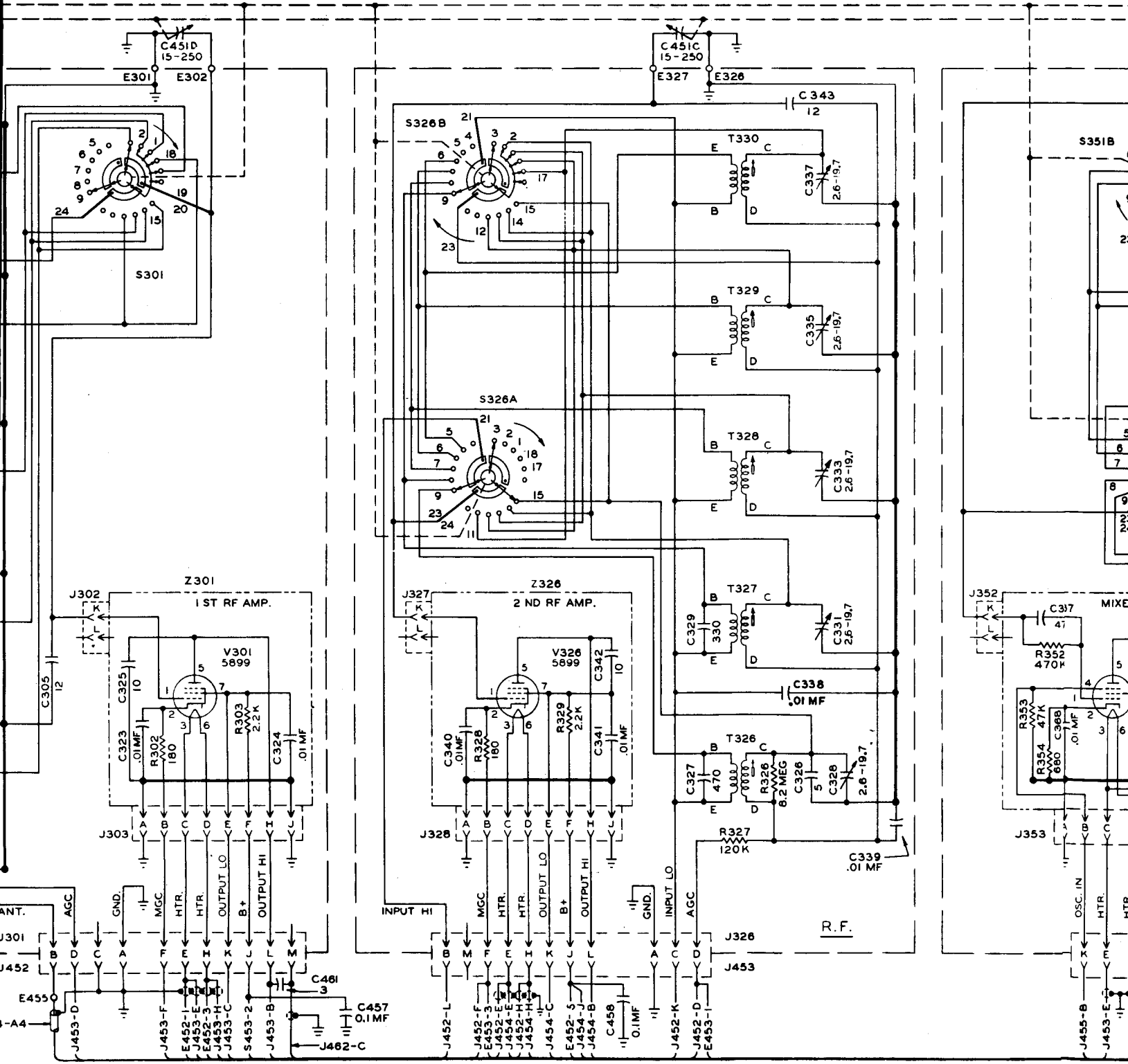


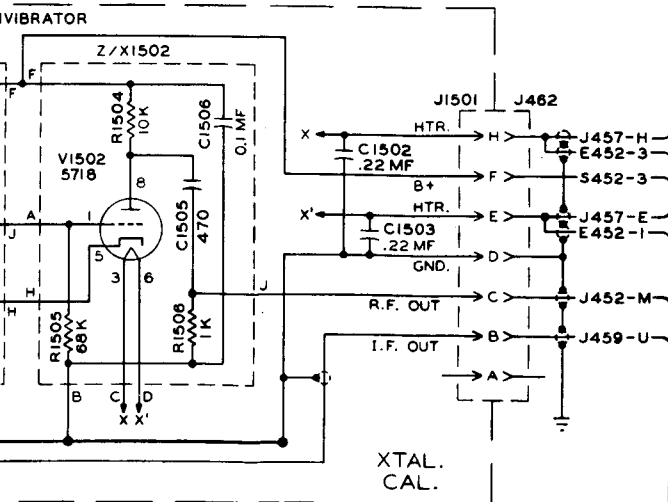
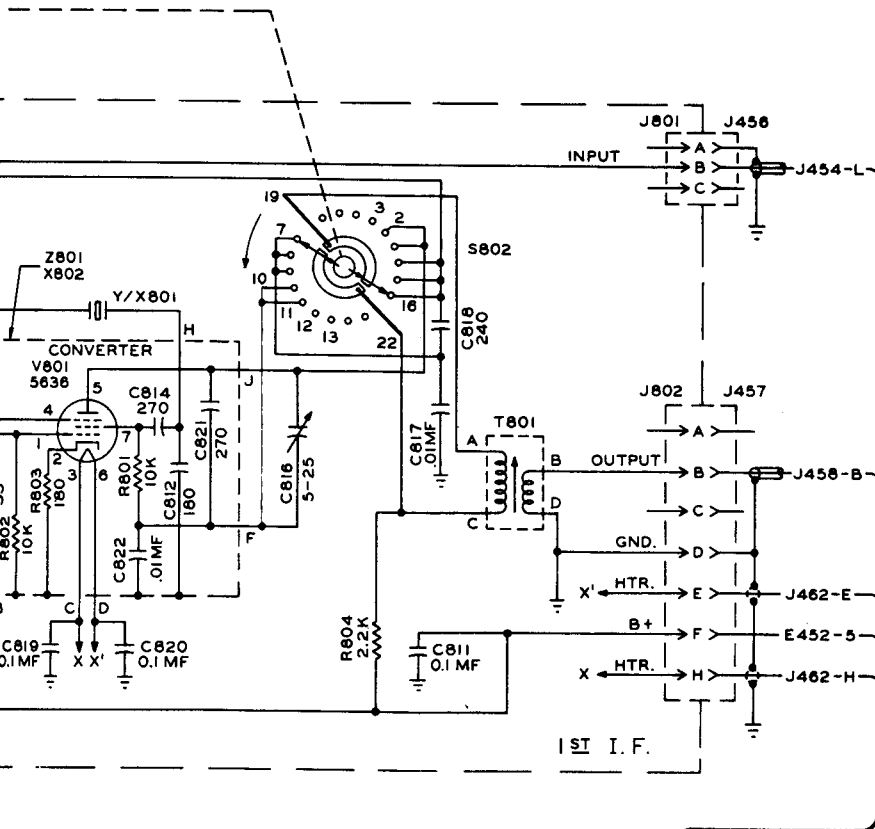
Figure 7-13. Schematic Diagram, AN/SRR-12
(Sheet 2)

AN/SRR-11, -12, -13
CORRECTIVE MAINTENANCE



CHANGE 1





NOTES —

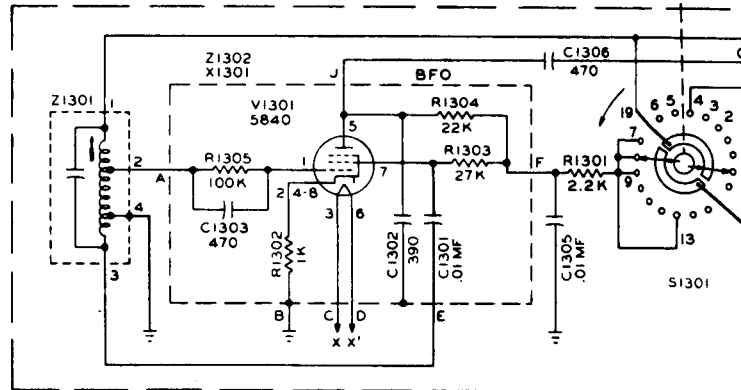
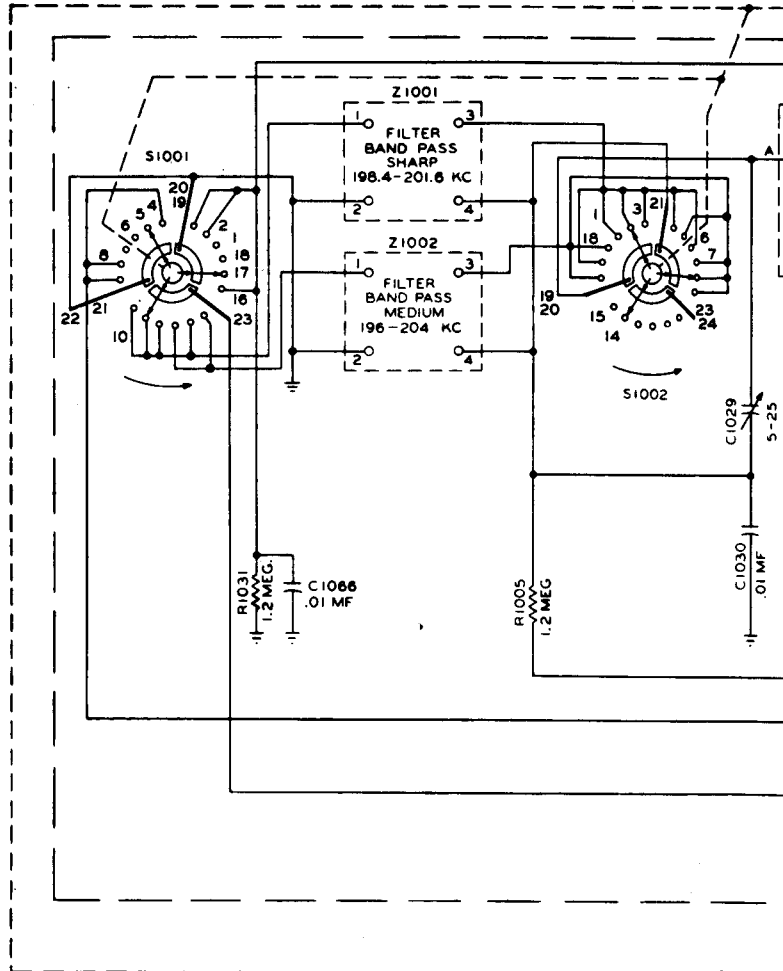
1. SWITCHES SHOWN IN BAND 1.
 BAND 1 - 250 KC TO 500 KC
 BAND 2 - 500 KC TO 1 MC
 BAND 3 - 1 MC TO 2 MC
 BAND 4 - 2 MC TO 4 MC
 BAND 5 - 4 MC TO 8 MC
 RED DOT LOCATES TERMINAL 1. BLACK DOT LOCATES TERMINAL 5
2. UNLESS OTHERWISE INDICATED ALL RESISTANCE VALUES ARE GIVEN IN OHMS; ALL CAPACITANCE VALUES IN MMF.

Figure 7-13A. Schematic Diagram, AN/SRR-12 (Serial Nos. 574 through 935) (Sheet 1)

SEE SHEET 2

7-97A, 7-98A

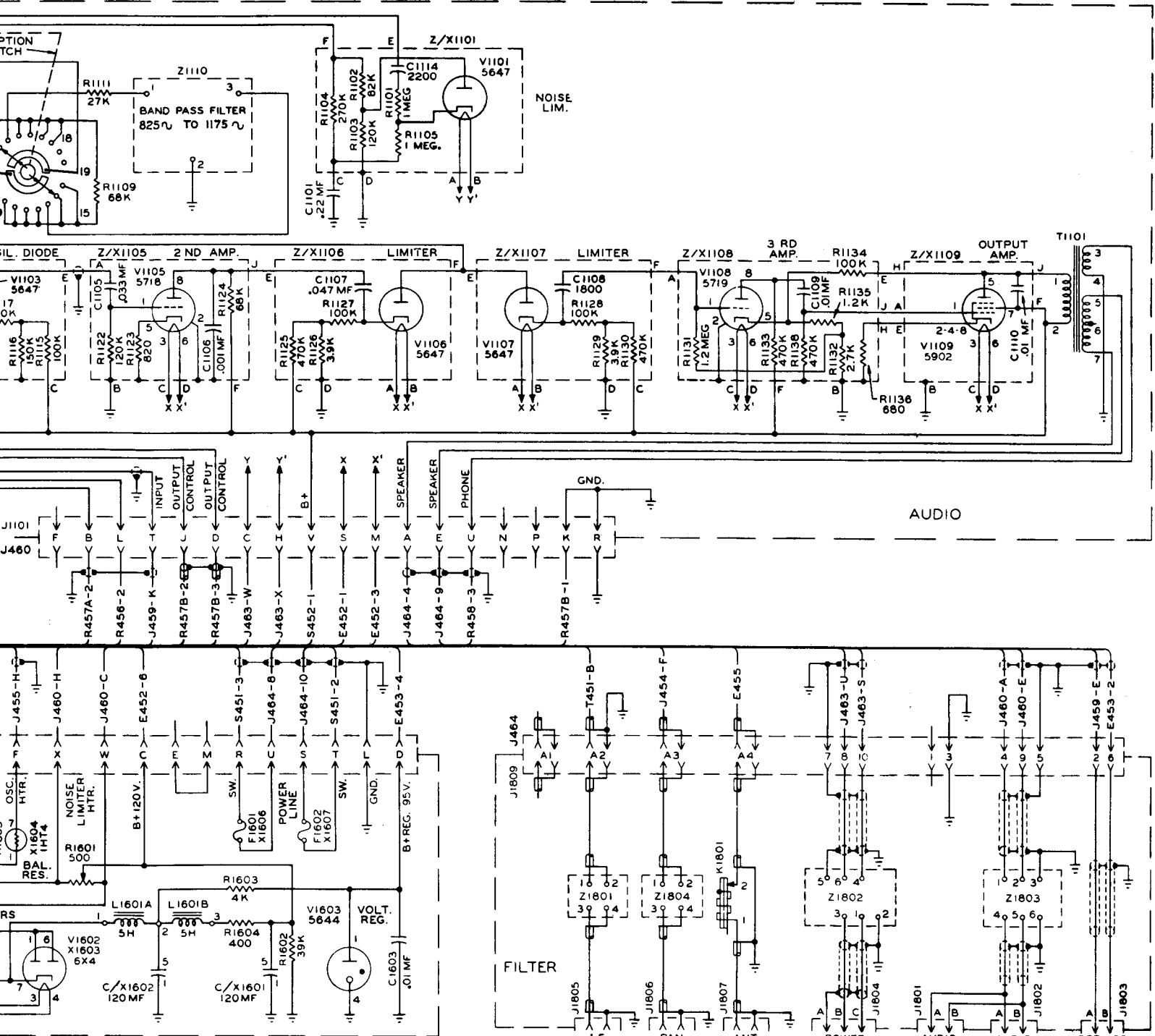
AN/SRR-11, -12, -13
CORRECTIVE MAINTENANCE



SEE SHEET 1

CHANGE 1

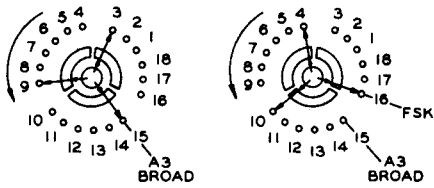
NAVSHIPS 91875(A)



Fig

NOTES —

1. UNLESS OTHERWISE INDICATED ALL RESISTANCE VALUES ARE GIVEN IN OHMS, ALL CAPACITANCE VALUES IN MMF.
2. ARROWS AT SWITCHES INDICATE DIRECTION OF ROTATION WHEN VIEWED FROM CONTROL END OF PRIMARY SUB-ASSEMBLIES WITH FRONT PANEL CONTROL ROTATING CLOCKWISE.
3. WHEN SWITCHING FROM A3 BROAD TO FSK ON THE 3 SEGMENT SWITCHES, THE SWITCH ARM WILL MOVE FROM ONE COMMON SWITCH SEGMENT TO THE FOLLOWING ONE AS SHOWN



RED DOT LOCATES TERMINAL 1. BLACK DOT LOCATES TERMINAL 9.

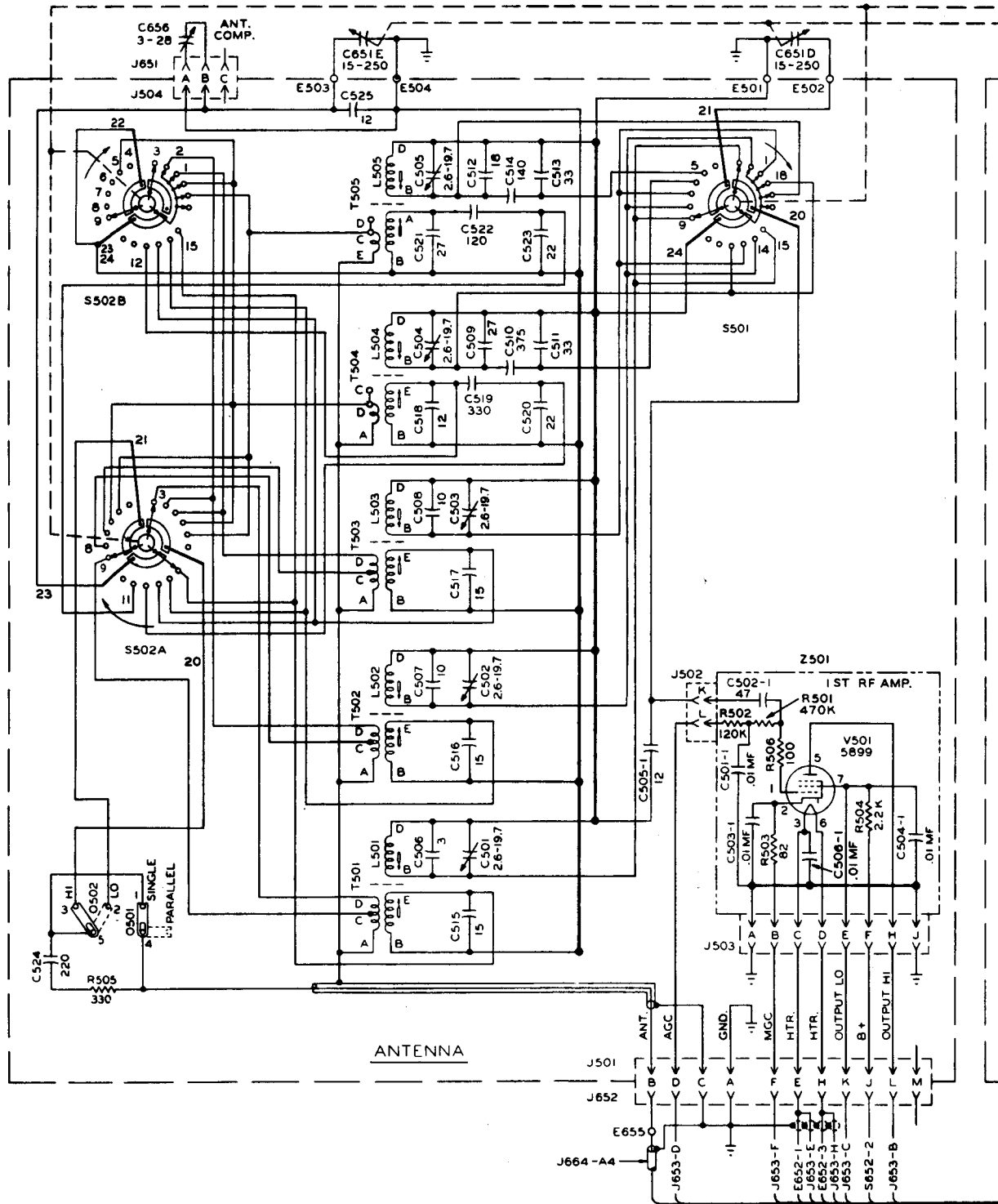


Figure 7-13A. Schematic Diagram, AN/SRR-12 (Serial Nos. 574 through 935) (Sheet 2)

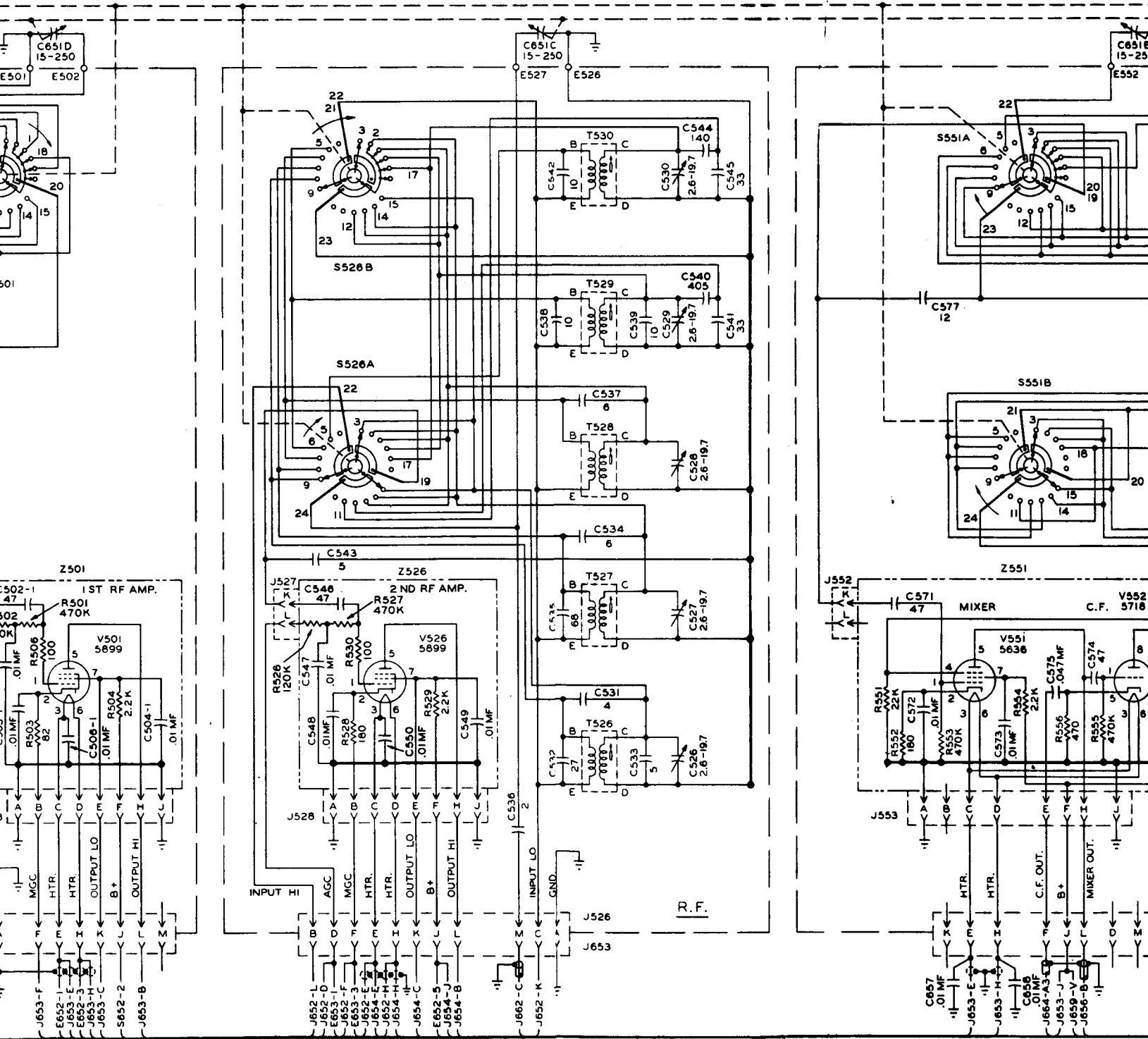
7-97B, 7-98B

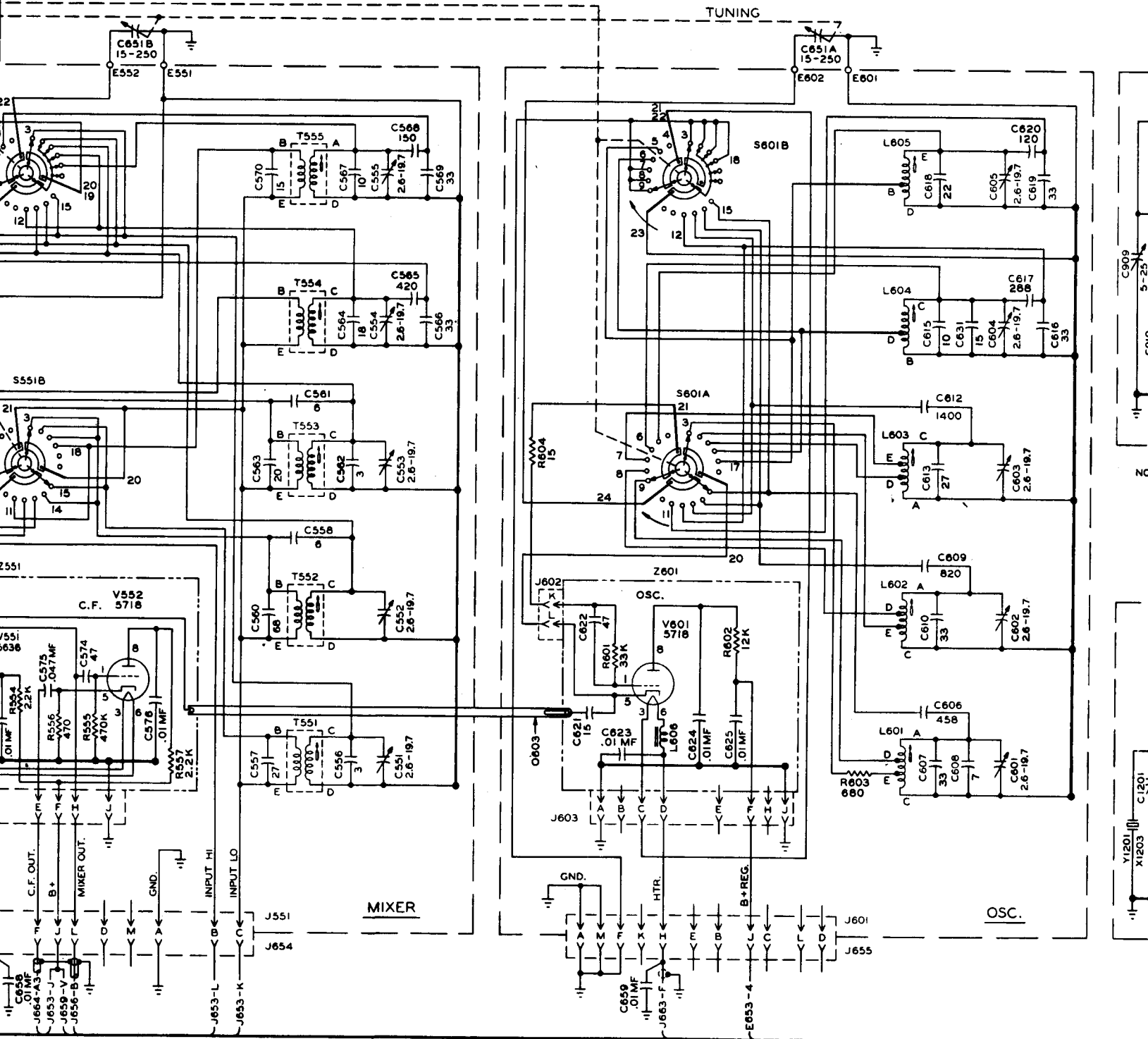
AN/SRR-11, -12, -13
CORRECTIVE MAINTENANCE

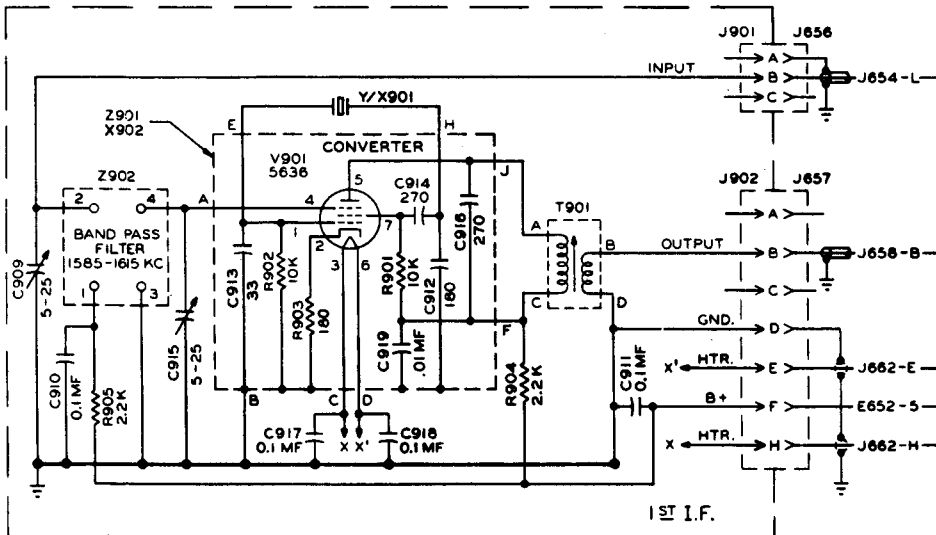
NAVSHIPS 91875(A)



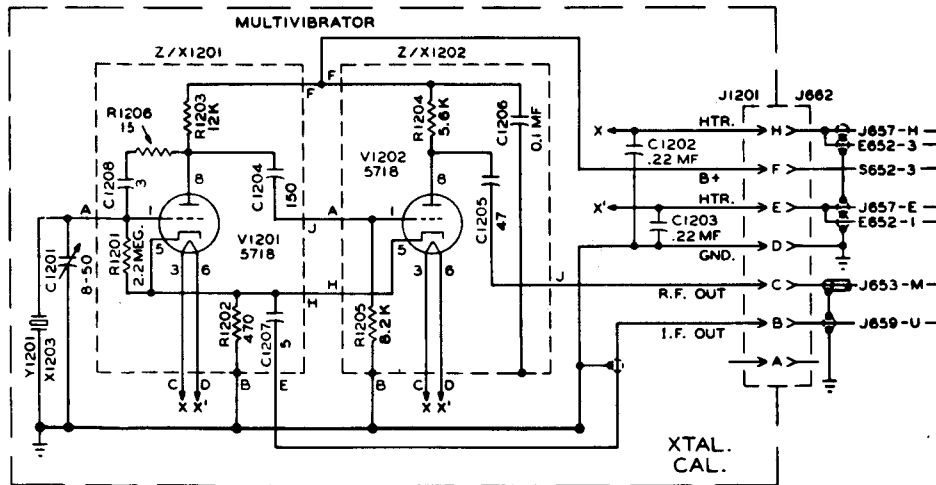
CHANGE 1







- NOTES — 1. SWITCH SHOWN IN BAND 1.
 BAND 1 — 2.0 MC TO 4.0 MC
 BAND 2 — 4.0 MC TO 8.0 MC
 BAND 3 — 8 MC TO 16 MC
 BAND 4 — 16 MC TO 24 MC
 BAND 5 — 24 MC TO 32 MC
 RED DOT LOCATES TERMINAL 1. BLACK DOT LOCATES TERMINAL 9.
 2. UNLESS OTHERWISE INDICATED ALL RESISTANCE VALUES ARE GIVEN IN OHMS, ALL CAPACITANCE VALUES IN MMF.

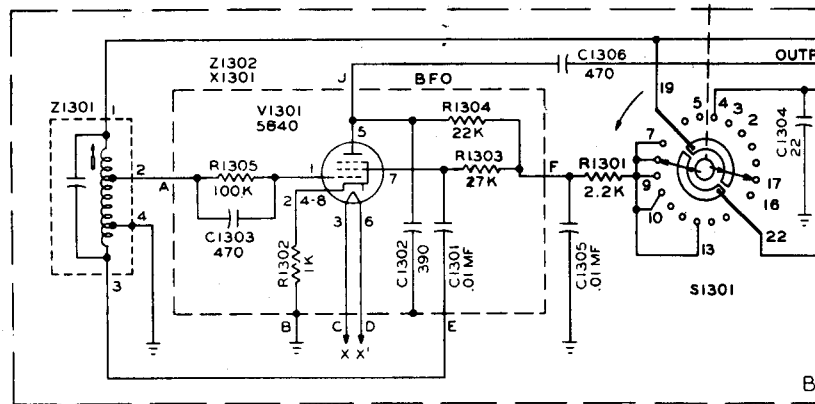
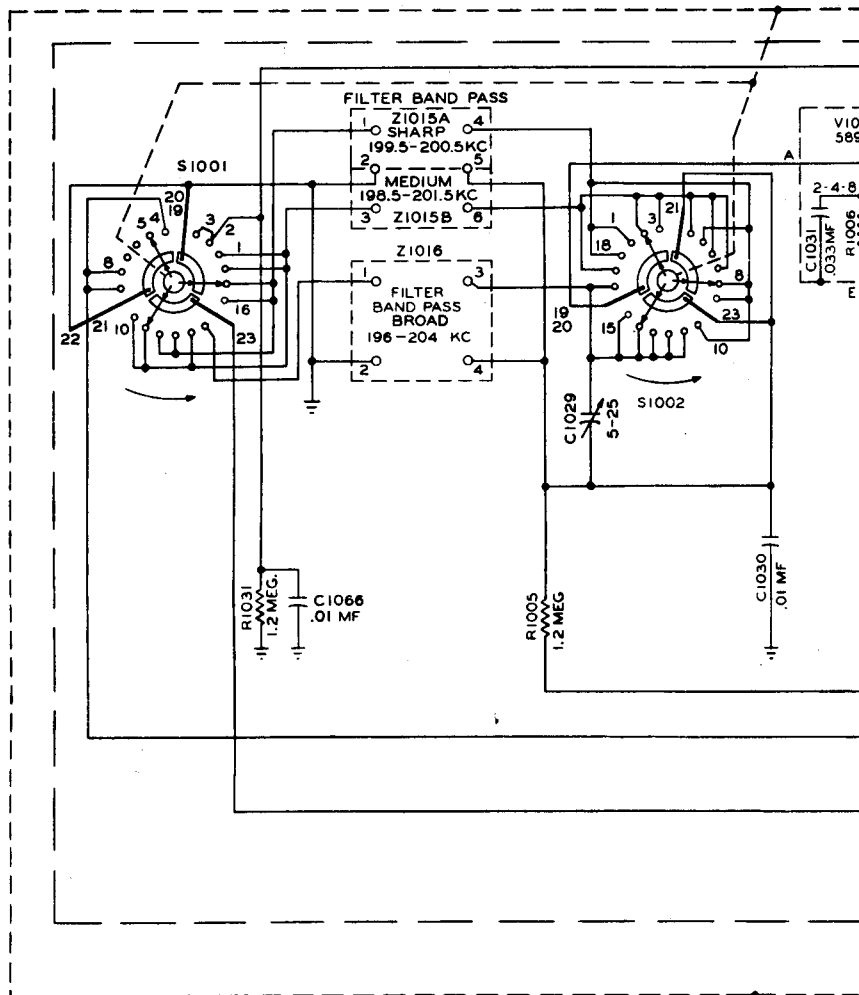


SEE SHEET 2

Figure 7-14A. Schematic Diagram, AN/SRR-13A (Sheet 1)

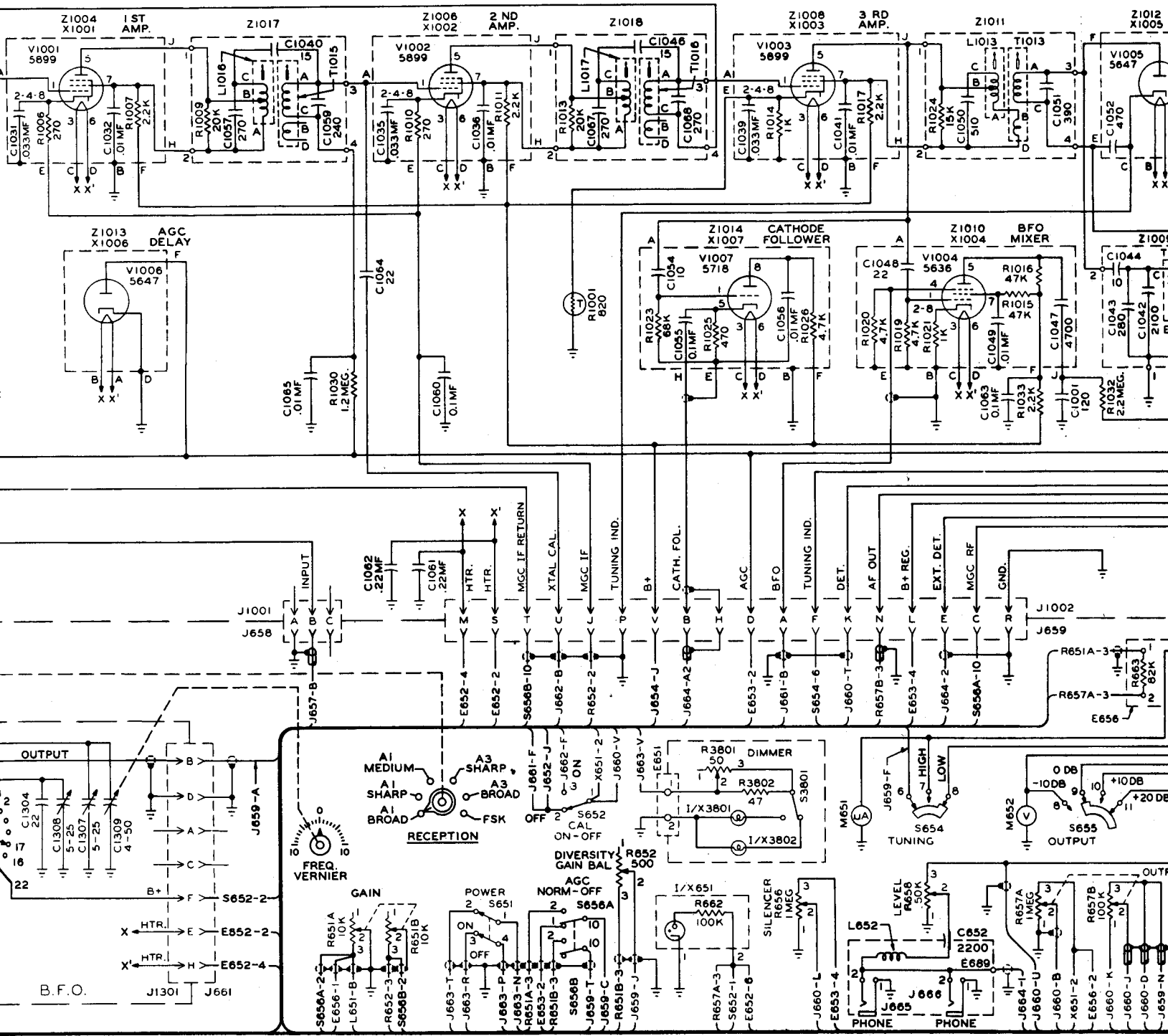
7-101A, 7-102A

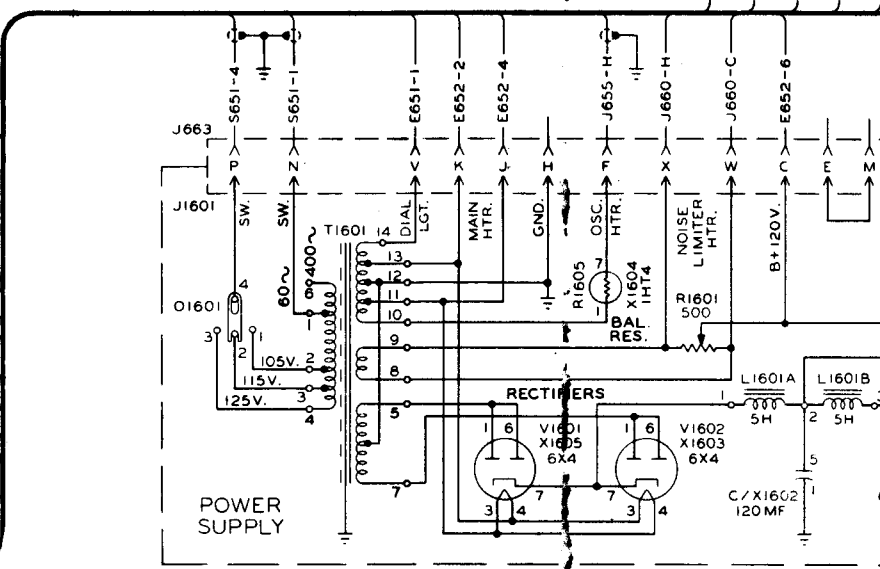
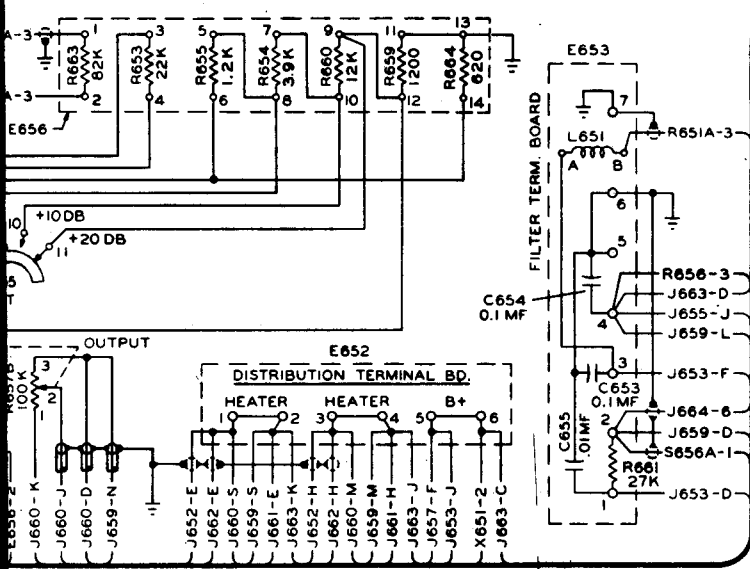
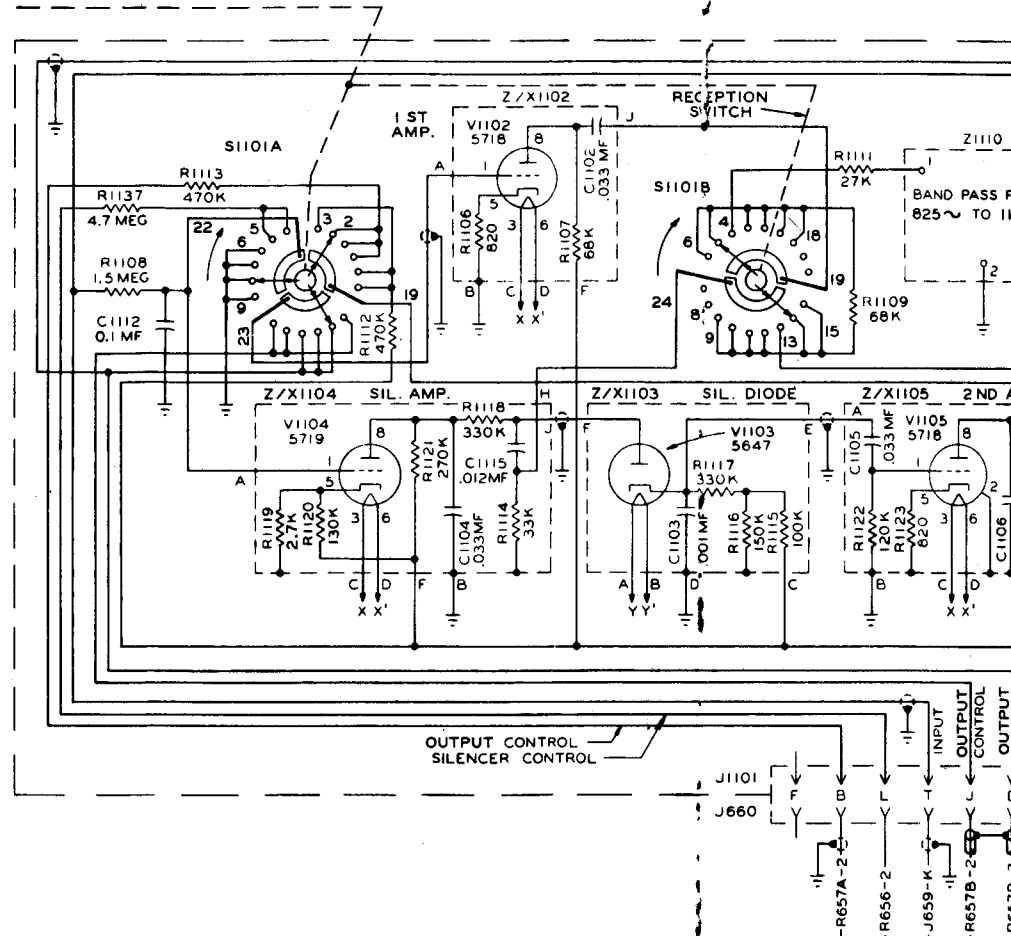
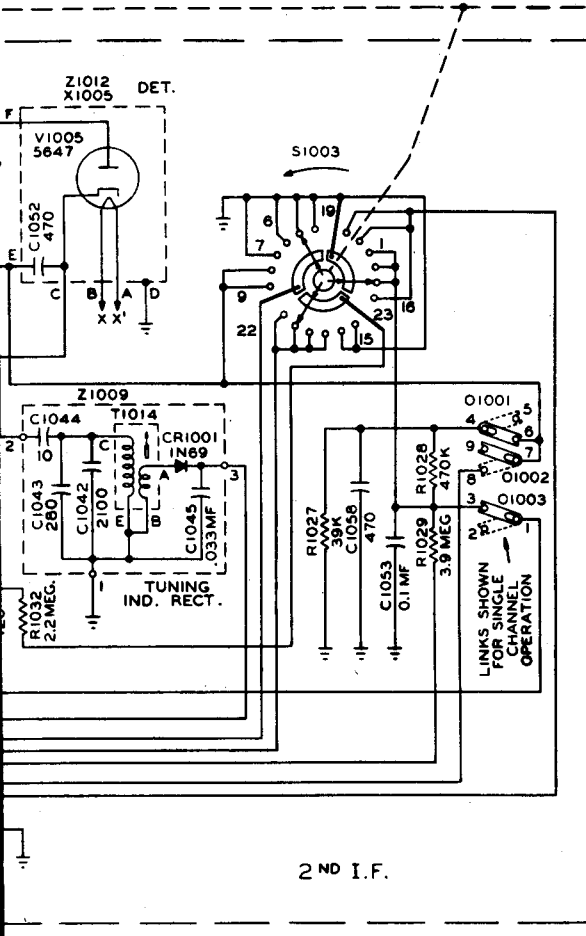
AN/SRR-11, -12, -13
CORRECTIVE MAINTENANCE



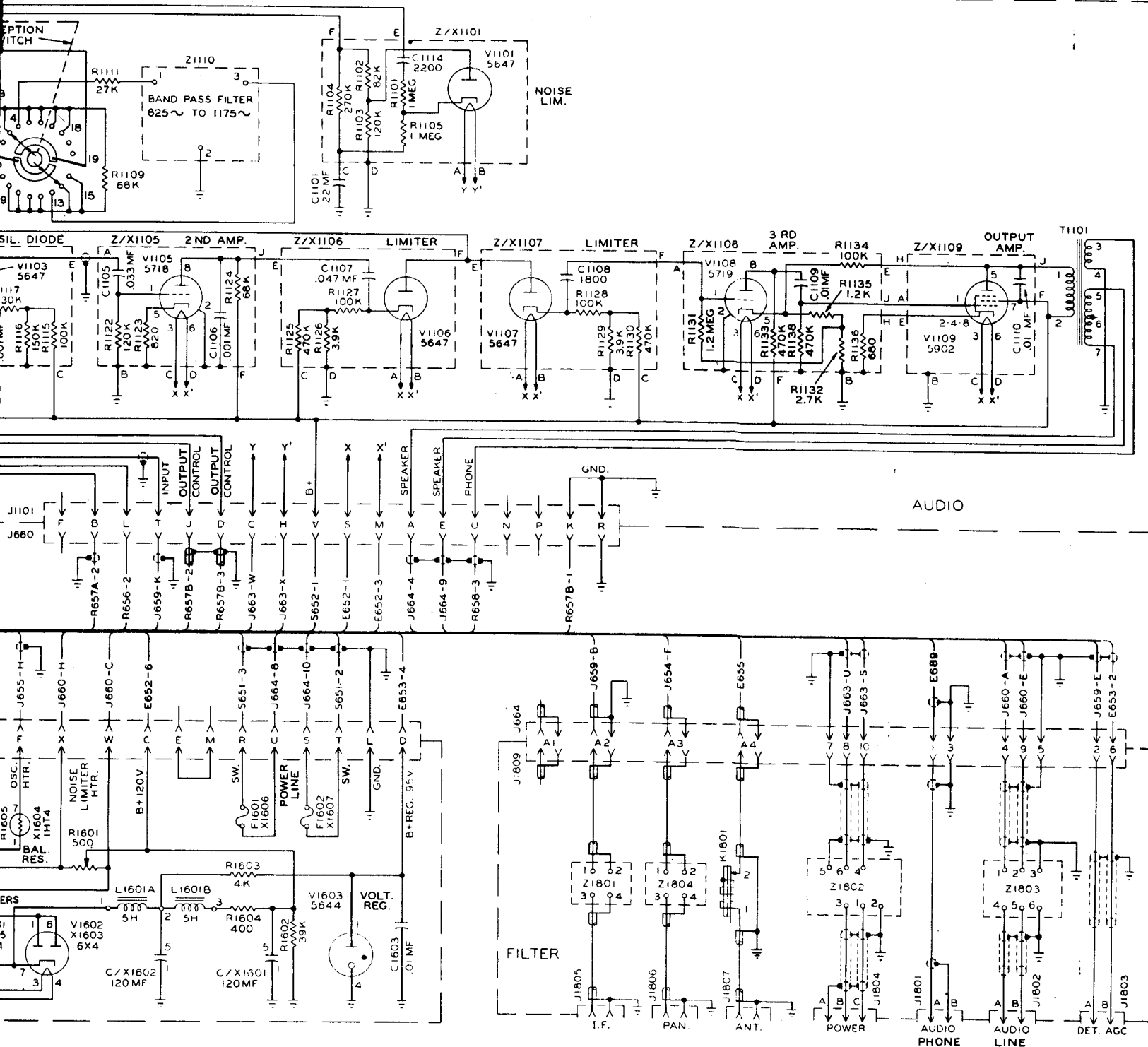
SEE SHEET 1 ←

CHANGE 1



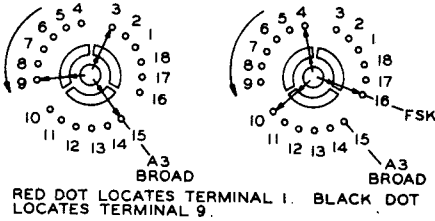


NAVSHIPS 91875(A)



NOTES —

1. UNLESS OTHERWISE INDICATED ALL RESISTANCE VALUES ARE GIVEN IN OHMS, ALL CAPACITANCE VALUES IN MMF.
2. ARROWS AT SWITCHES INDICATE DIRECTION OF ROTATION WHEN VIEWED FROM CONTROL END OF PRIMARY SUB-ASSEMBLIES WITH FRONT PANEL CONTROL ROTATING CLOCKWISE.
3. WHEN SWITCHING FROM A3 BROAD TO FSK ON THE 3 SEGMENT SWITCHES, THE SWITCH ARM WILL MOVE FROM ONE COMMON SWITCH SEGMENT TO THE FOLLOWING ONE AS SHOWN



4. SUBSTITUTE THE FOLLOWING SKETCH FOR TUBES WITH SYMBOL NUMBERS V1005, V1101, V1103, V1106 AND V1107 ON EQUIPMENTS BEARING SERIAL NUMBERS 1431 AND UP

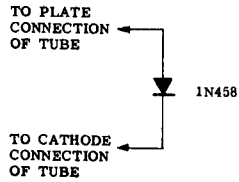
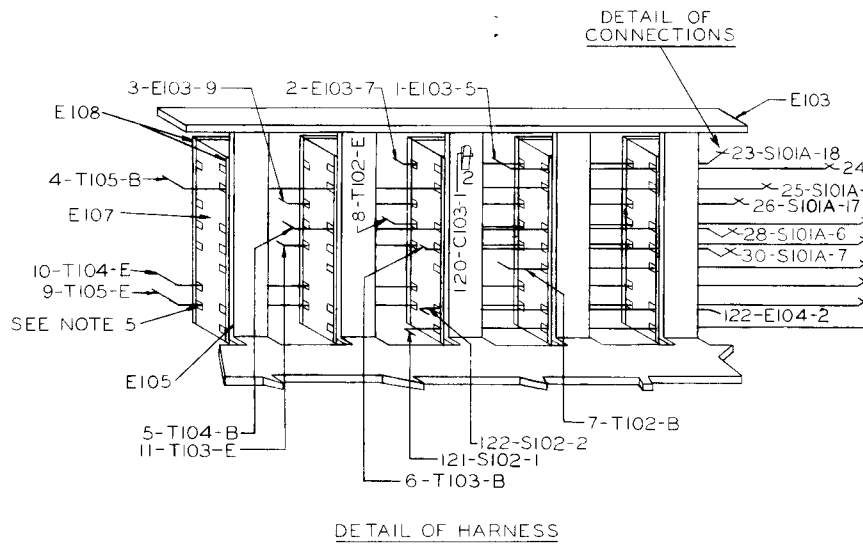
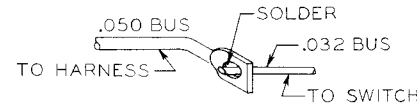
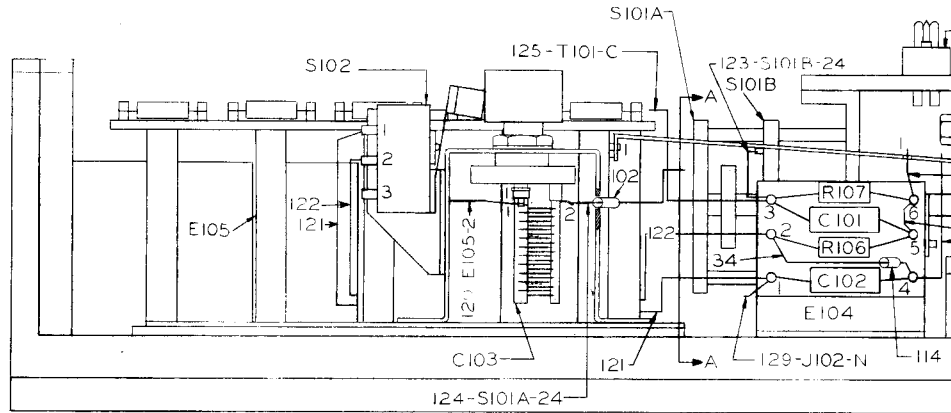
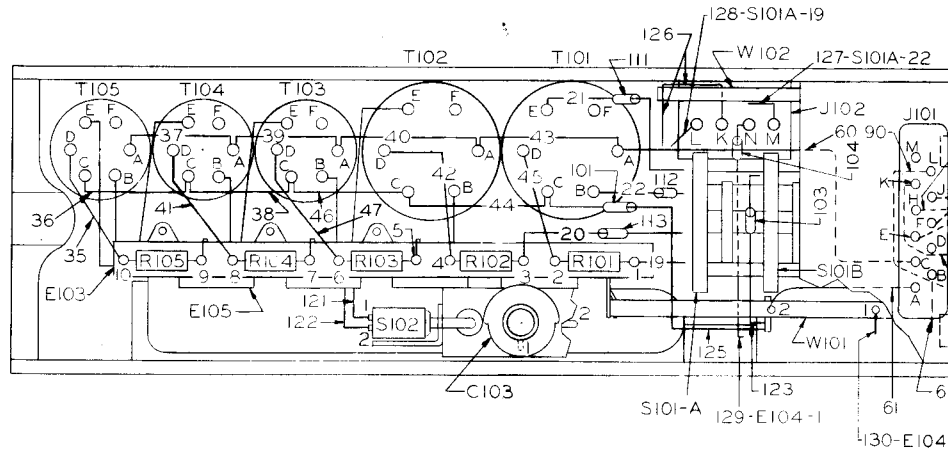
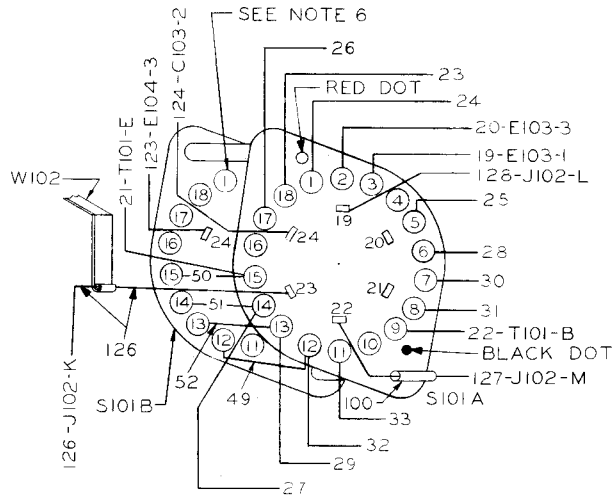
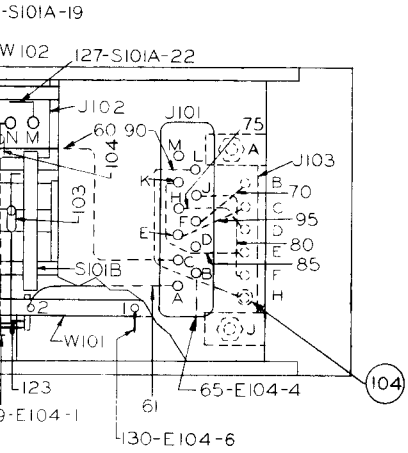


Figure 7-14A. Schematic Diagram, AN/SRR-13A (Sheet 2)

7-101B, 7-102B





VIEW AT "A-A"
USE IN CONJUNCTION
WITH DETAIL OF HARNESS

WIRE TABLE	
WIRE NO.	DESCRIPTION
1-11 INCL	WIRE TINNED COPPER .050 DIA.
19-52 INCL	TINNED COPPER .032 DIA.
60-61	BLACK
65	GREEN
70	YELLOW
75	BROWN
80	RED
85	RED-BLACK TR.
90	BLUE
95	WIRE BROWN-BLACK TR.
100-104 INCL	SLEEVING .042 I.D.
111-114 INCL	SLEEVING .034 I.D.
120-130 INCL	WIRE TINNED COPPER .040 DIA.

NOTES

- 2 NUMBERS IN WIRES REFER TO WIRE TABLE, CODING AT ENDS OF WIRES INDICATE WIRE NUMBERS AND DESTINATION OF WIRES. THUS: 3-E103-9, 3=WIRE NO., E103=TERMINAL BOARD E103, 9=TERMINAL 9 OF E103 AS INDICATED ON THIS DRAWING.
- 3 CRIMP & SOLDER ALL ELECTRICAL CONNECTIONS

6 BEND TERMINALS OF S101B WHICH INTERFERE WITH E104.

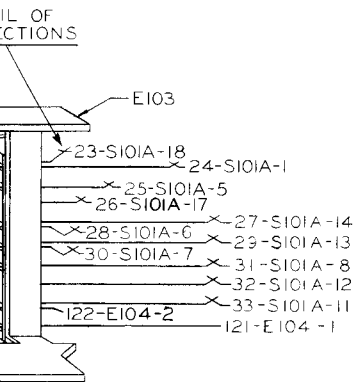
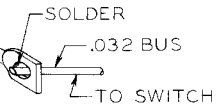
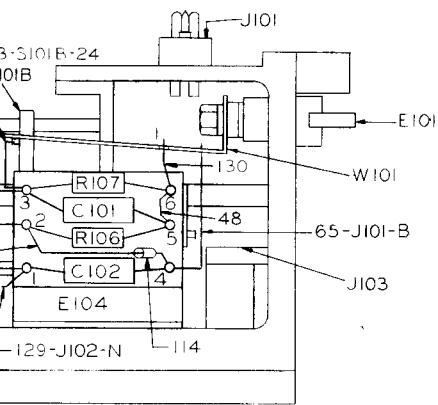
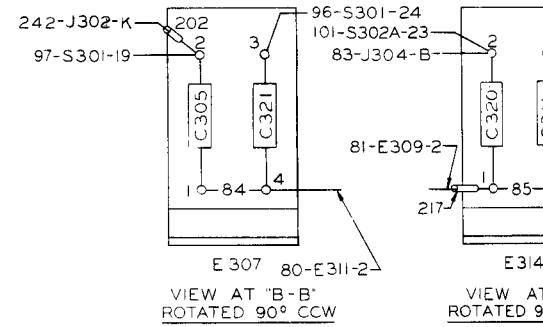
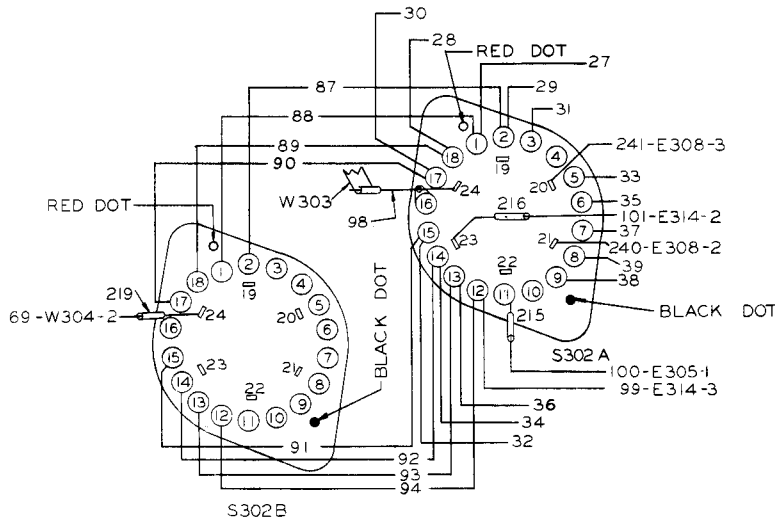
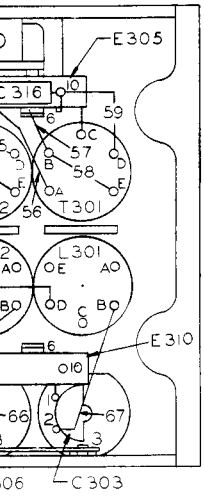
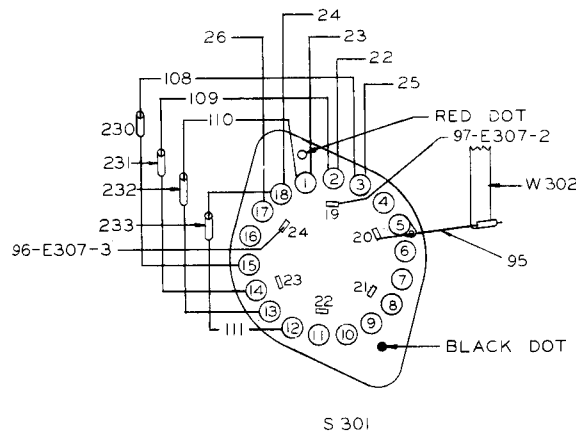


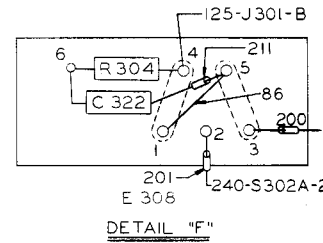
Figure 7-15. Antenna Box, Connection Diagram, AN/SRR-11



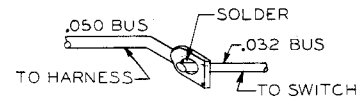
VIEW AT "D-D"
ROTATED 90° CW
USE IN CONJUNCTION WITH
DETAIL OF HARNESS "B"



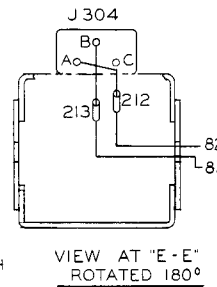
S 301
VIEW AT "A-A"
ROTATED 90° CW
USE IN CONJUNCTION WITH
DETAIL OF HARNESS "A"



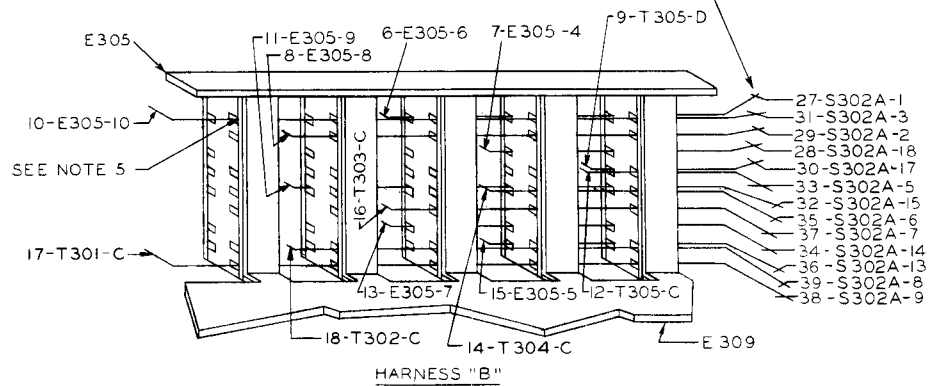
DETAIL "F"



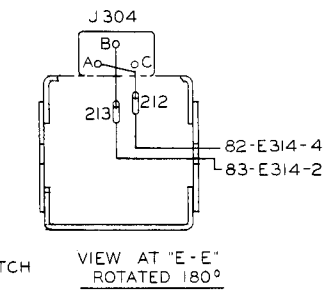
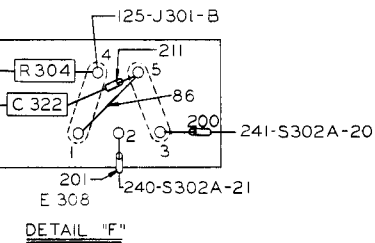
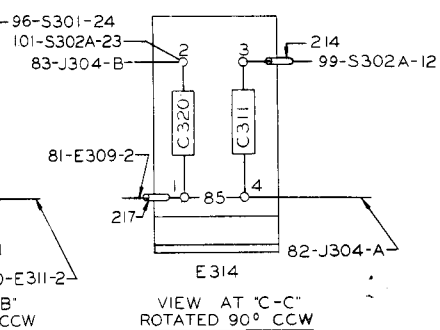
DETAIL OF
CONNECTIONS



VIEW AT "E-E"
ROTATED 180°



HARNESS "B"



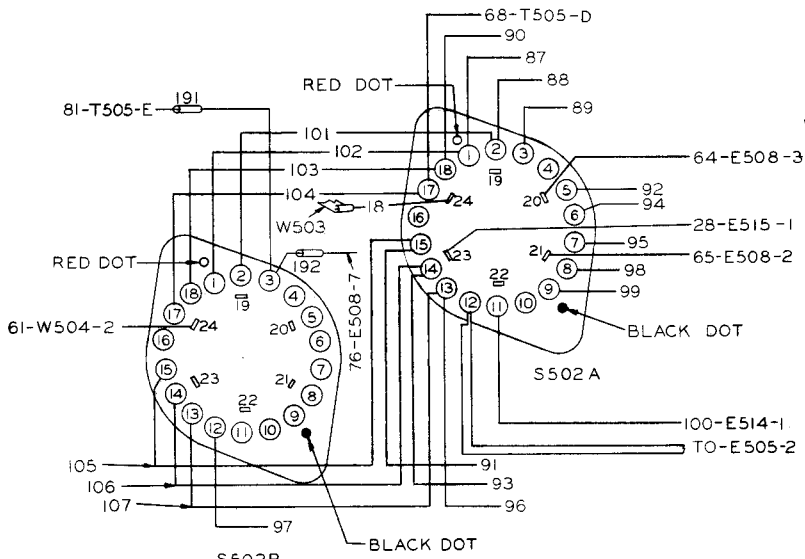
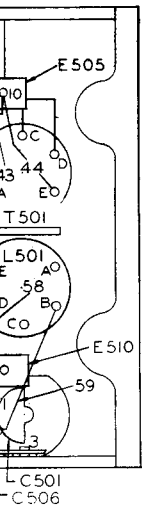
WIRE TABLE	
WIRE NO.	DESCRIPTION
1-18 INCL.	WIRE TINNED COPPER .050 DIA.
22-101 INCL.	TINNED COPPER .032 DIA.
108-111 INCL.	TINNED COPPER .020 DIA.
120	BLACK
125	GREEN
130	WHITE
135	BROWN
140	YELLOW
145	BROWN-BLACK TR.
150	RED
155	PURPLE
160-161	BLUE
165	WIRE BLUE-RED TR.
200-202 INCL.	SLEEVING .042 I.D.
211-219 INCL.	SLEEVING .034 I.D.
230-233 INCL.	SLEEVING .022 I.D.
240-242 INCL.	WIRE TINNED COPPER .040 DIA.
250-252 INCL.	SLEEVING .053 I.D.

NOTES:

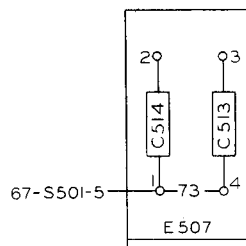
- 2 NUMBERS IN WIRES REFER TO WIRE TABLE. CODING AT ENDS OF WIRES INDICATE WIRE NUMBERS & DESTINATION OF WIRES. THUS: 14-T304-C 14 = WIRE NO., T304=TRANSFORMER T304, C=TERMINAL C OF T304 AS INDICATED ON THIS DRAWING.
- 3 CRIMP & SOLDER ALL ELECTRICAL CONNECTIONS
- 6 WIRES CONNECTING TO TERMINALS D TO M INCL. ON J301 DRESS THROUGH HOLE "A".

02A-1
02A-3
02A-2
02A-18
02A-17
02A-5
02A-15
02A-6
02A-7
02A-14
02A-13
02A-8
02A-9

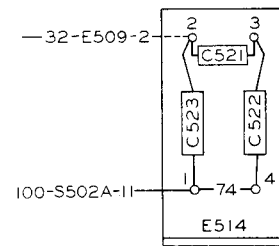
Figure 7-16. Antenna Box, Connection Diagram, AN/SRR-12



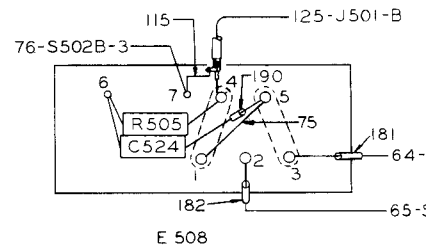
VIEW AT "C-C"
USE IN CONJUNCTION WITH
DETAIL OF HARNESS "B"



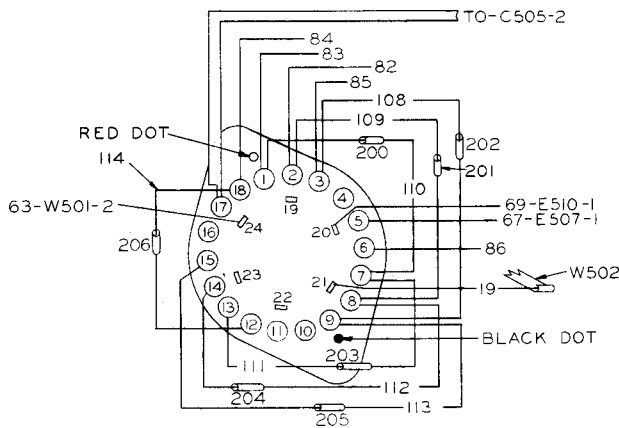
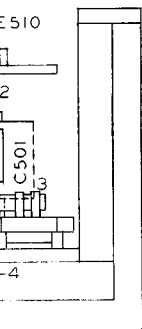
VIEW AT "B-B"
ROTATED 90° CCW



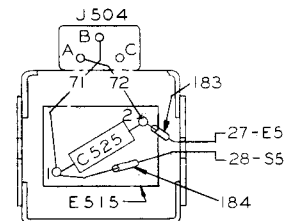
VIEW AT "D-D"
ROTATED 90° CCW



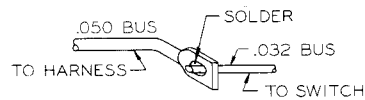
E 508
WIRING DETAIL OF E 508



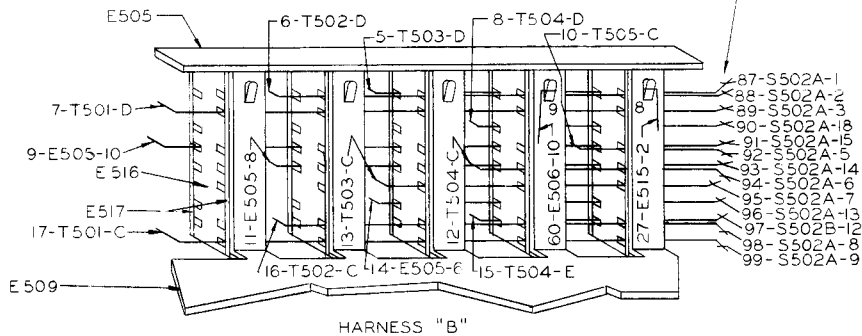
S 501
VIEW AT "A-A"
USE IN CONJUNCTION WITH
DETAIL OF HARNESS "A"



VIEW AT "E-E"
ROTATED 180°



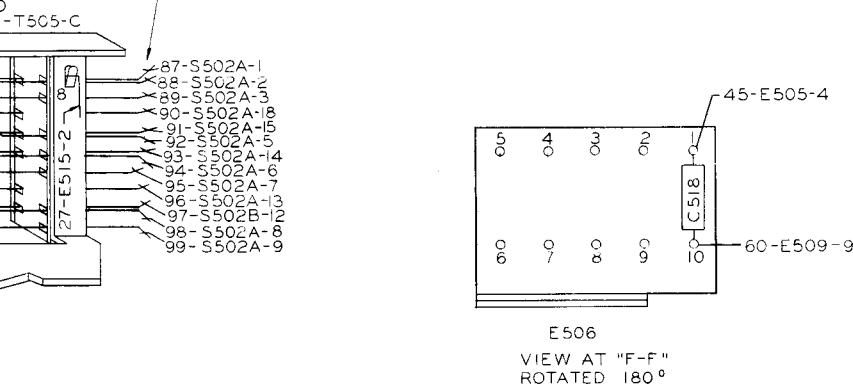
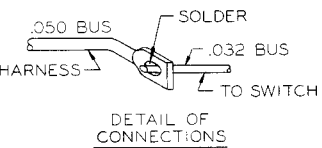
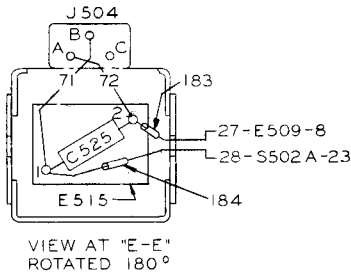
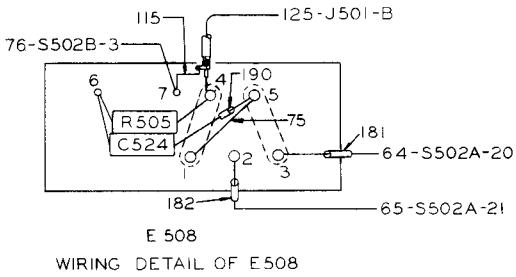
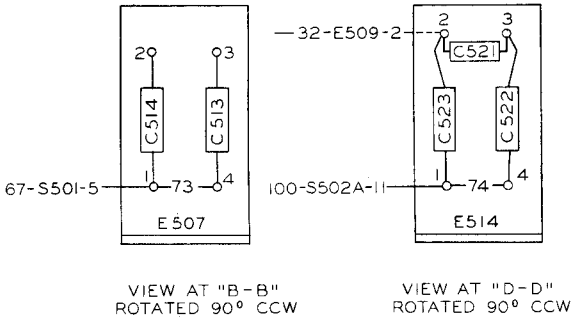
DETAIL OF
CONNECTIONS



5	4
6	0
0	0
6	7

E 5
VIEW
ROTA

WIRE NO.		DESCRIPTION
1-20	INCL.	WIRE TINNED COPPER .050 DIA.
27-65	INCL.	TINNED COPPER .040 DIA.
67-107	INCL.	TINNED COPPER .032 DIA.
108-116	INCL.	TINNED COPPER .020 DIA.
120		WIRE BLACK
125		CABLE COAX
130		WIRE WHITE
135		BROWN
140		YELLOW
145		BROWN-BLACK TR.
150		RED
155		PURPLE
160		WIRE BLUE
181-184	INCL.	SLEEVING .042 I.D.
190-193	INCL.	SLEEVING .034 I.D.
200-206	INCL.	SLEEVING .022 I.D.
210-213		SLEEVING .053 I.D.



①

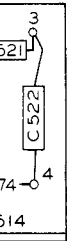
NOTES:

2 NUMBERS IN WIRES REFER TO WIRE TABLE
INDICATE WIRE NUMBERS AND DESTINATION
= WIRE NO., E505= TERMINAL BOARD E505, 4
INDICATED ON THIS DRAWING.

3 CRIMP & SOLDER ALL ELECTRICAL CONN

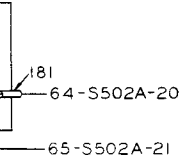
6. WIRES CONNECTING TO TERMINALS D TO
HOLE "A".

Figure 7-17. Antenna
A



T "D-D"
90° CCW

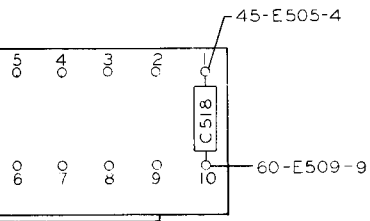
J501-B



83

27-E509-8
28-S502A-23

184



E506
VIEW AT "F-F"
ROTATED 180°

WIRE NO.		DESCRIPTION
1-20	INCL.	WIRE TINNED COPPER .050 DIA.
27-65	INCL.	↑ TINNED COPPER .040 DIA.
67-107	INCL.	TINNED COPPER .032 DIA.
108-116	INCL.	↓ TINNED COPPER .020 DIA.
120		WIRE BLACK
125		CABLE COAX
130		WIRE WHITE
135		↑ BROWN
140		YELLOW
145		↓ BROWN-BLACK TR.
150		RED
155		↓ PURPLE
160		WIRE BLUE
181-184	INCL.	SLEEVING .042 I.D.
190-193	INCL.	SLEEVING .034 I.D.
200-206	INCL.	SLEEVING .022 I.D.
210-213		SLEEVING .053 I.D.



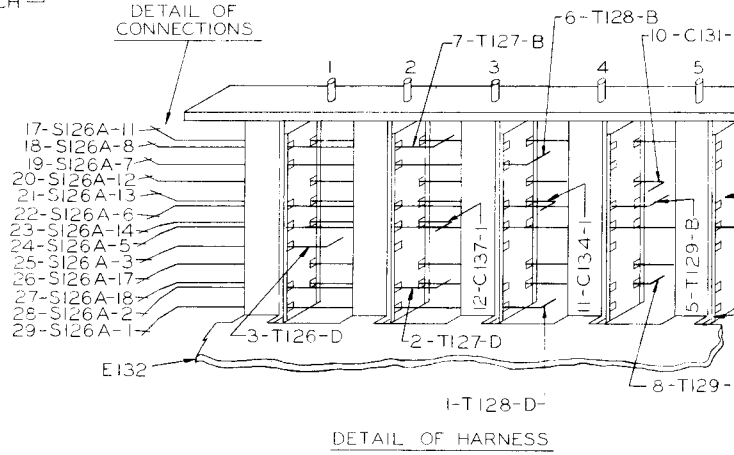
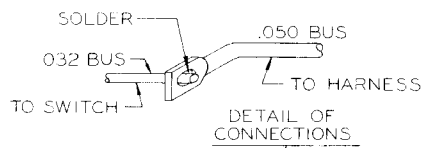
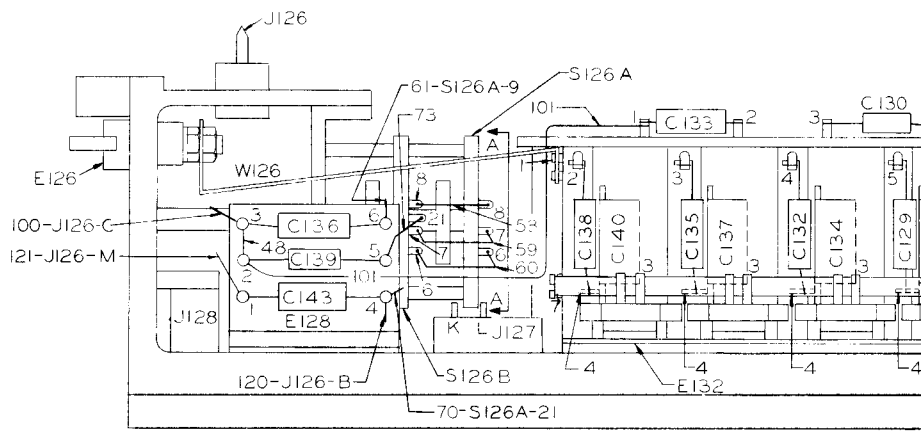
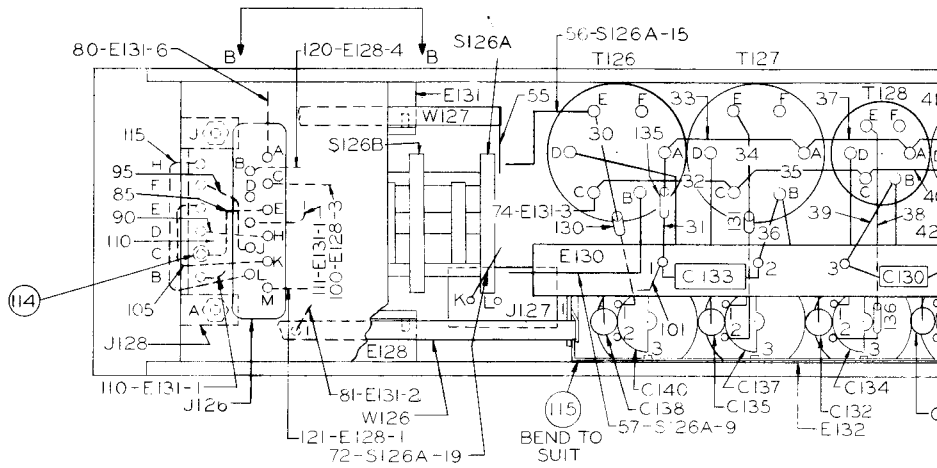
NOTES:

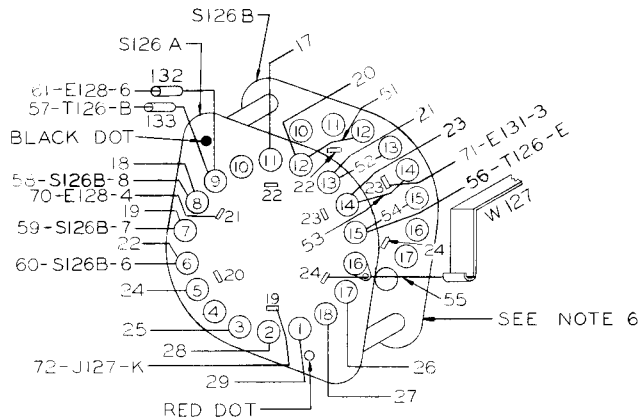
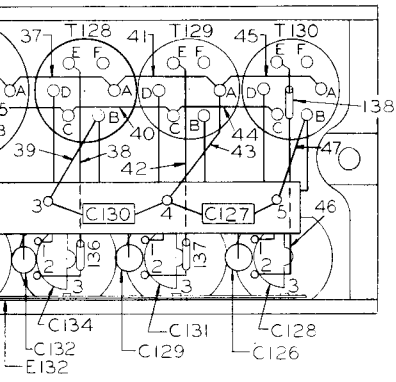
2 NUMBERS IN WIRES REFER TO WIRE TABLE. CODING AT ENDS OF WIRES INDICATE WIRE NUMBERS AND DESTINATION OF WIRES. THUS: 45-E505-4, 45 = WIRE NO., E505 = TERMINAL BOARD E505, 4 = TERMINAL 4 OF E505 AS INDICATED ON THIS DRAWING.

3 CRIMP & SOLDER ALL ELECTRICAL CONNECTIONS

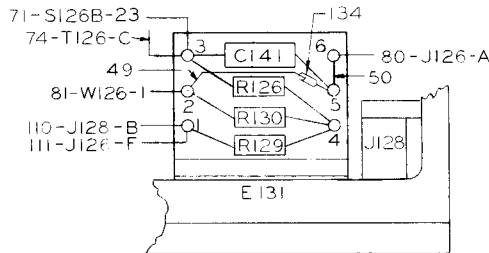
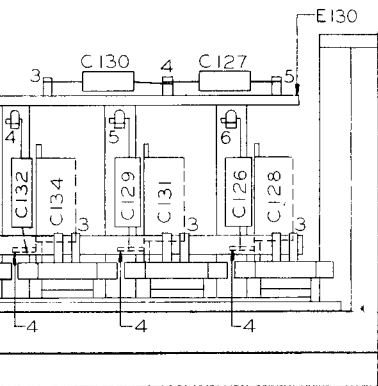
6. WIRES CONNECTING TO TERMINALS D TO L INCL. ON J501 DRESS THROUGH HOLE "A".

Figure 7-17. Antenna Box, Connection Diagram, AN/SRR-13

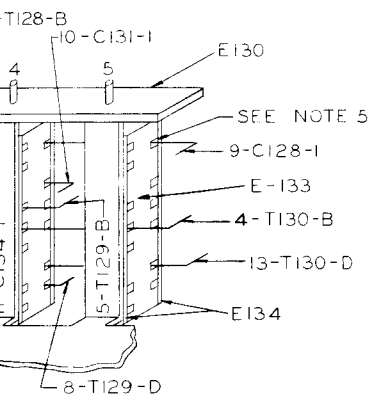




VIEW AT "A-A"
USE IN CONJUNCTION WITH
DETAIL OF HARNESS



VIEW AT "B-B"
ROTATED 180°



WIRE TABLE	
WIRE NO.	DESCRIPTION
1-13 INCL.	WIRE TINNED COPPER .050 DIA.
17-61 INCL.	TINNED COPPER .032 DIA.
70-74 INCL.	TINNED COPPER .040 DIA.
80-81	BLACK
85	BROWN-BLACK TR.
90	BROWN
95	RED
100-101	RED-BLACK TR.
105	RED-BROWN TR.
110-111	YELLOW
115	BLUE
120-121	WIRE GREEN
130-138 INCL.	SLEEVING .034 I.D.

NOTES

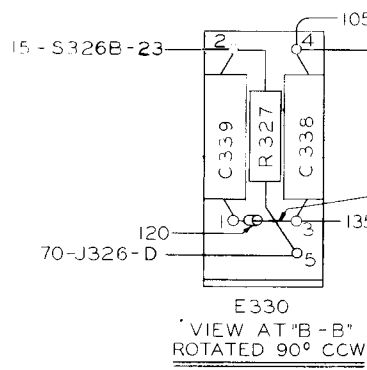
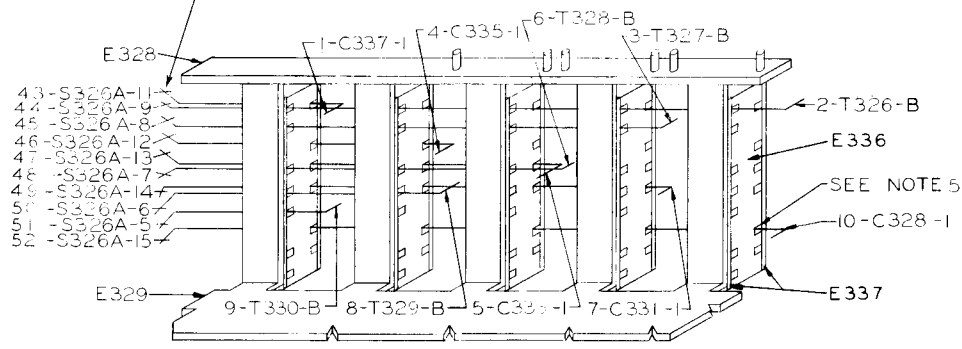
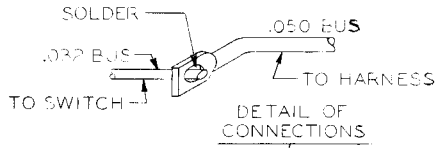
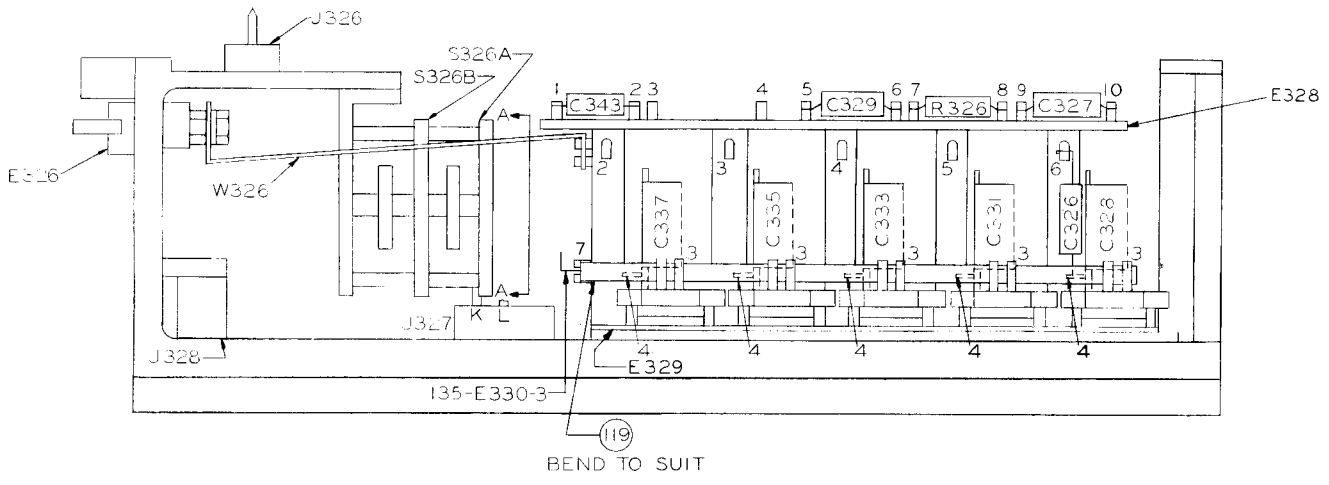
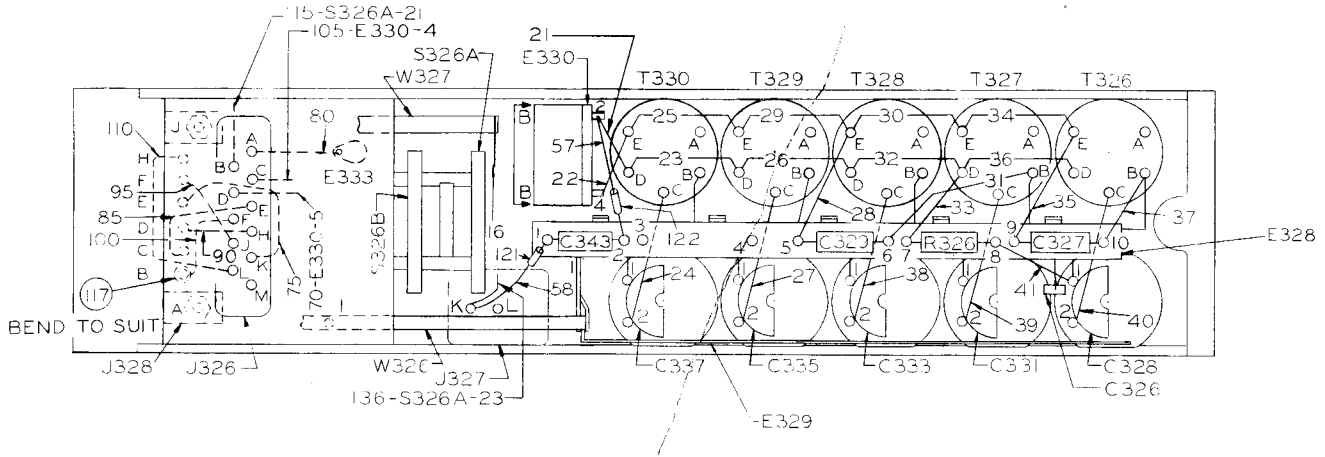
2 NUMBERS IN WIRES REFER TO WIRE TABLE. CODING AT ENDS OF WIRES INDICATE WIRE NUMBERS AND DESTINATION OF WIRES THUS: 74-TI26-C, 74= WIRE NO, TI26= TRANSFORMER T126, C= TERMINAL C OF T126 AS INDICATED ON THIS DRAWING.

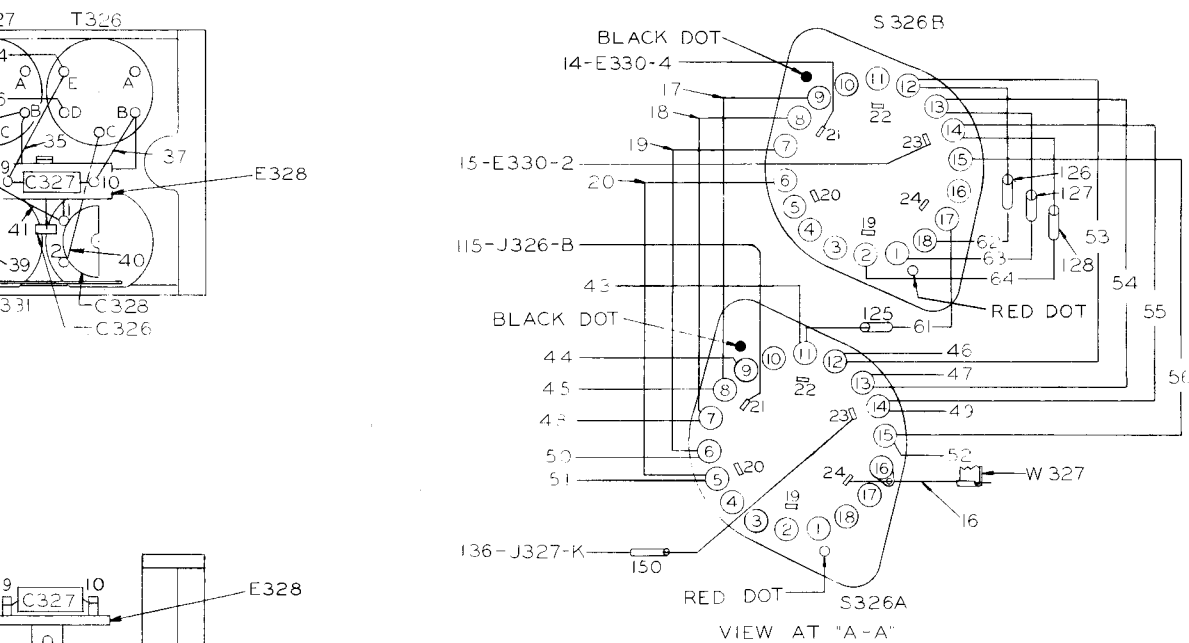
3 CRIMP & SOLDER ALL ELECTRICAL CONNECTIONS

6 BEND TERMINALS OF SI26B THAT INTERFERE WITH E128 & E131.

Figure 7-18. R-F Amplifier, Connection Diagram, AN/SRR-11

RESTRICTED
NAVSHIPS 91875(A)





WIRE TABLE	
WIRE NO.	DESCRIPTION
1-10 INCL.	WIRE TINNED COPPER .050 DIA.
14-58 INCL.	TINNED COPPER .032 DIA.
61-64 INCL.	TINNED COPPER .020 DIA.
70	WHITE
75	RED-BLACK TR.
80	BLACK
85	BROWN
90	BROWN-BLACK TR.
95	RED
100	YELLOW
105	RED-BROWN TR.
110	BLUE
115	WIRE GREEN
120-122 INCL.	SLEEVING .034 I.D.
125-128 INCL.	SLEEVING .022 I.D.
135-136	WIRE TINNED COPPER .040 DIA.
150	SLEEVING .042 I.D.

NOTES

2. NUMBERS IN WIRES REFER TO WIRE TABLE. CODING AT THE ENDS OF WIRES INDICATE WIRE NUMBERS AND DESTINATION OF WIRES. THUS: 2-T326-B, 2=WIRE NO., T326= TRANSFORMER T326, B= TERMINAL B OF T326 AS INDICATED ON THIS DRAWING.

3. CRIMP & SOLDER ALL ELECTRICAL CONNECTIONS

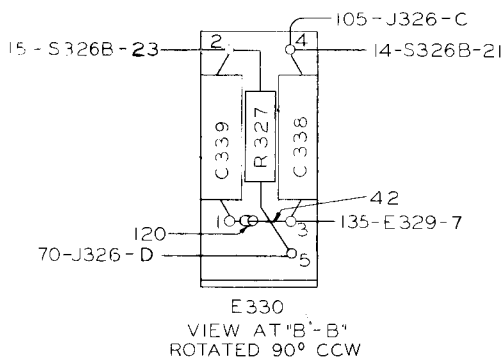
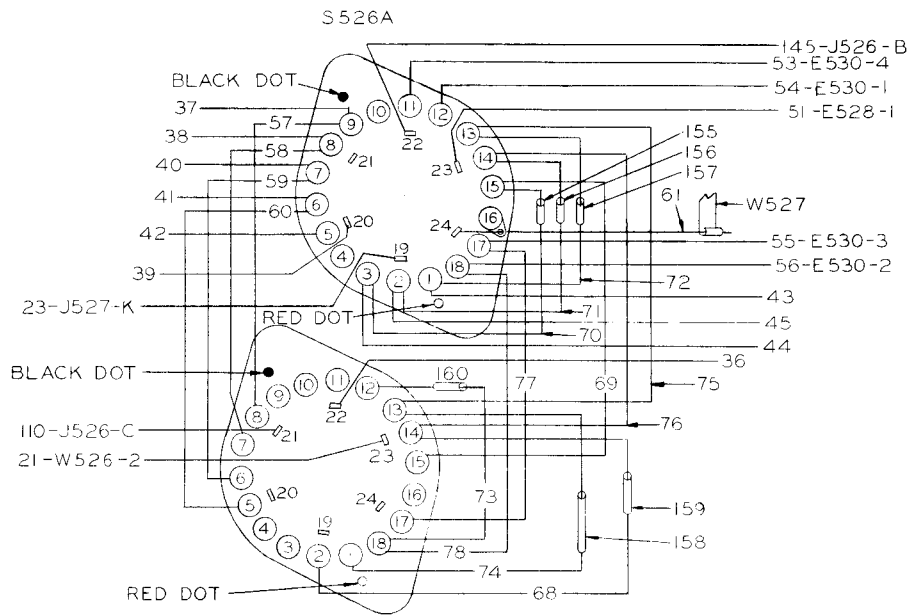
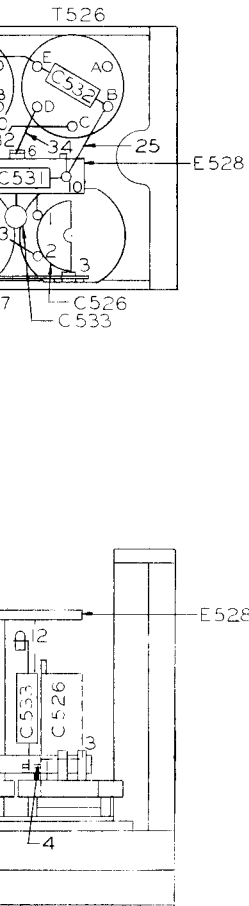


Figure 7-19. R-F Amplifier, Connection Diagram, AN/SRR-12

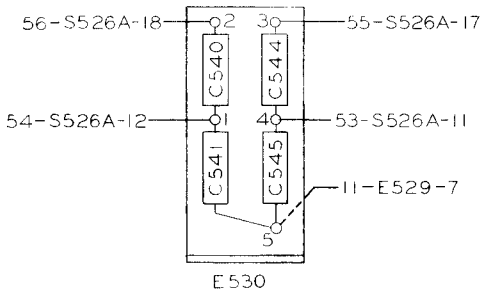


S 526 B
VIEW AT "A-A"
USE IN CONJUNCTION WITH
DETAIL OF HARNESS

WIRE NO.		DESCRIPTION
1-11	INCL.	WIRE TINNED COPPER .050 DIA.
21-35	↑	TINNED COPPER .040 DIA.
36-61	↓	TINNED COPPER .032 DIA.
68-78	INCL.	TINNED COPPER .020 DIA.
100		RED-BLACK TR.
105		WHITE
110		RED-BROWN TR.
115		BLACK
120		BROWN
125		BROWN-BLACK TR.
130		RED
135		YELLOW
140		BLUE
145	↓	BLUE-RED TR.
150		WIRE BLUE-BROWN TR.
155-160	INCL.	SLEEVING .022 I.D.

NOTES:

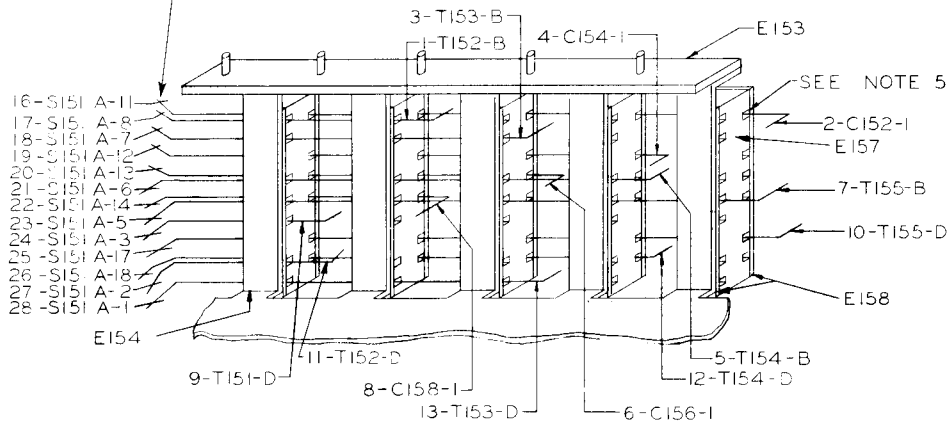
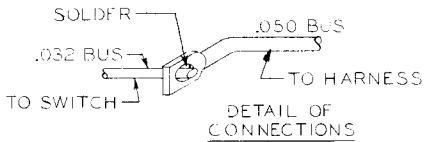
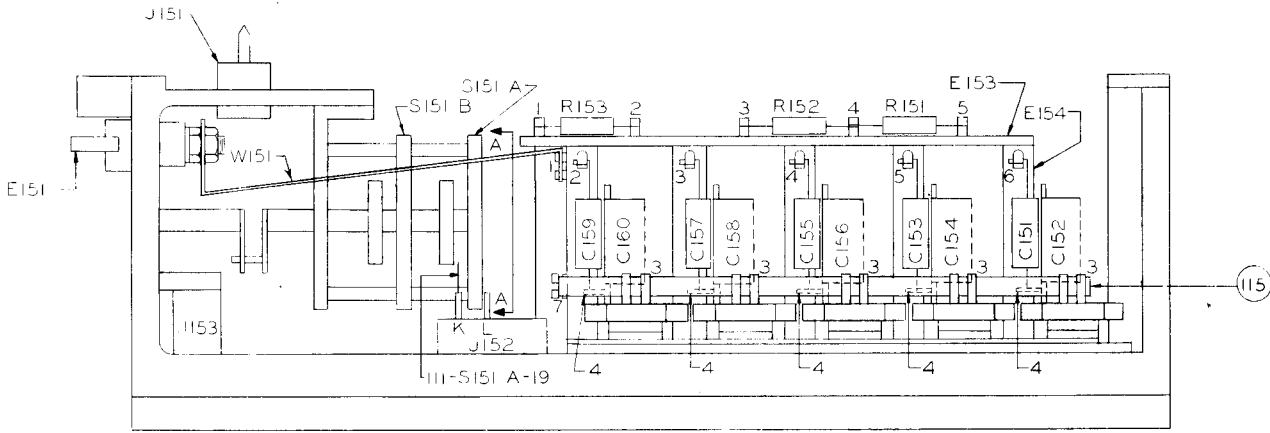
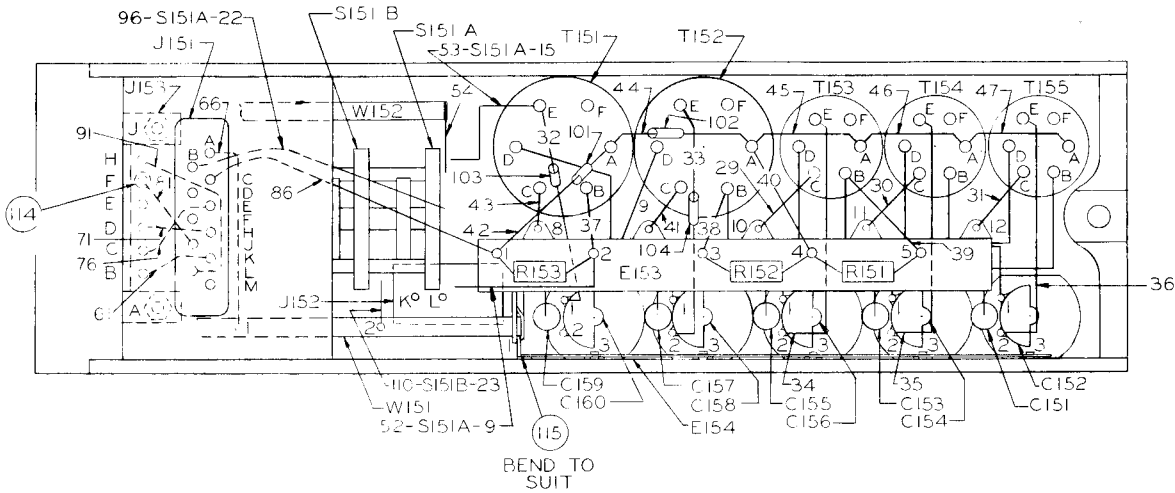
- NUMBERS IN WIRES REFER TO WIRE TABLE. CODING AT ENDS OF WIRES INDICATE WIRE NUMBERS & DESTINATION OF WIRES. THUS: 51-E528-1, 51=WIRE NO., E528=TERMINAL BOARD E528, 1=TERMINAL 1 OF E528 AS INDICATED ON THIS DRAWING.
- CRIMP & SOLDER ALL ELECTRICAL CONNECTIONS



E 530
VIEW AT "B-B"
ROTATED 90° CCW

Figure 7-20. R-F Amplifier, Connection Diagram, AN/SRR-13

RESTRICTED
NAVSHIPS 91875(A)



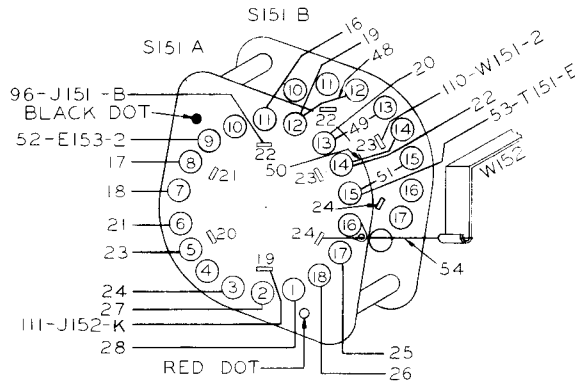
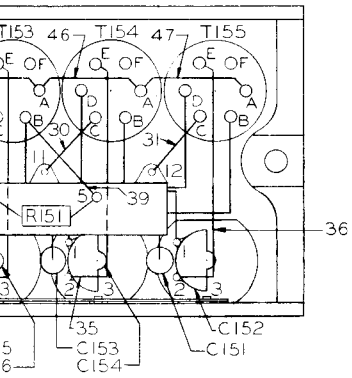
DETAIL OF HARNESS

RESTRICTED

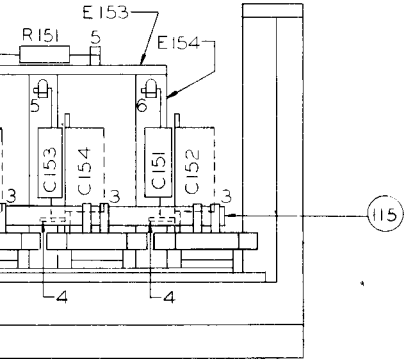
96-J151
BLACK D
52-E153-
1
2
2
2
2
111-J152-
2
2
WIRE N
1-13 INC
16-54 IN
61-
66-
71
76
81
86
91
96
101-104 IN
110-111

NOTES

- 2. NUM INDIC
- 13=W
- A5
- 3. CRIM



VIEW AT "A-A"
USE IN CONJUNCTION WITH
DETAIL OF HARNESS.



WIRE TABLE	
WIRE NO	DESCRIPTION
1-13 INCL.	WIRE TINNED COPPER .050 DIA.
16-54 INCL.	TINNED COPPER .032 DIA.
61-	PURPLE
66-	BLACK
71	BROWN
76	BROWN-BLACK TR.
81	RED
86	RED-BLACK TR.
91	BLUE-BLACK TR.
96	WIRE BLUE
101-104 INCL.	SLEEVING .034 I.D.
110-111	WIRE TINNED COPPER .040 DIA.

NOTES

2. NUMBERS IN WIRES REFER TO WIRE TABLE. CODING AT ENDS OF WIRES INDICATE WIRE NUMBERS AND DESTINATION OF WIRES. THUS: 13-T153-D 13=WIRE NO., T153=TRANSFORMER T153, D=TERMINAL D OF TRANSFORMER T153 AS INDICATED ON THIS DRAWING.

3. CRIMP & SOLDER ALL ELECTRICAL CONNECTIONS

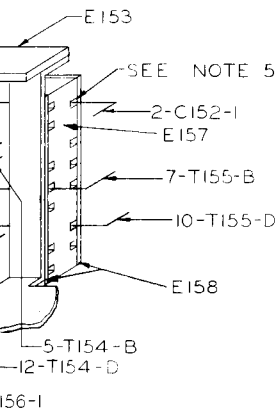
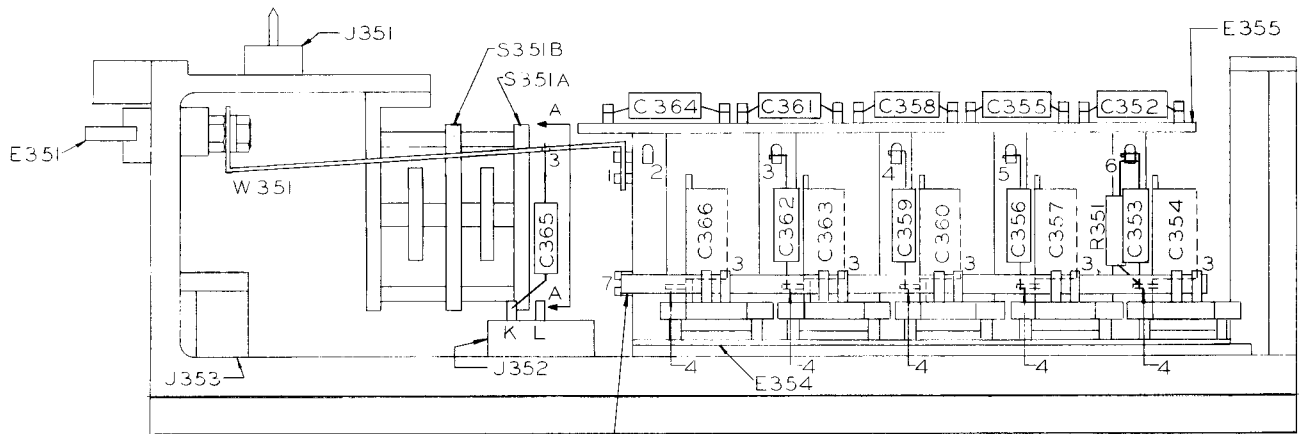
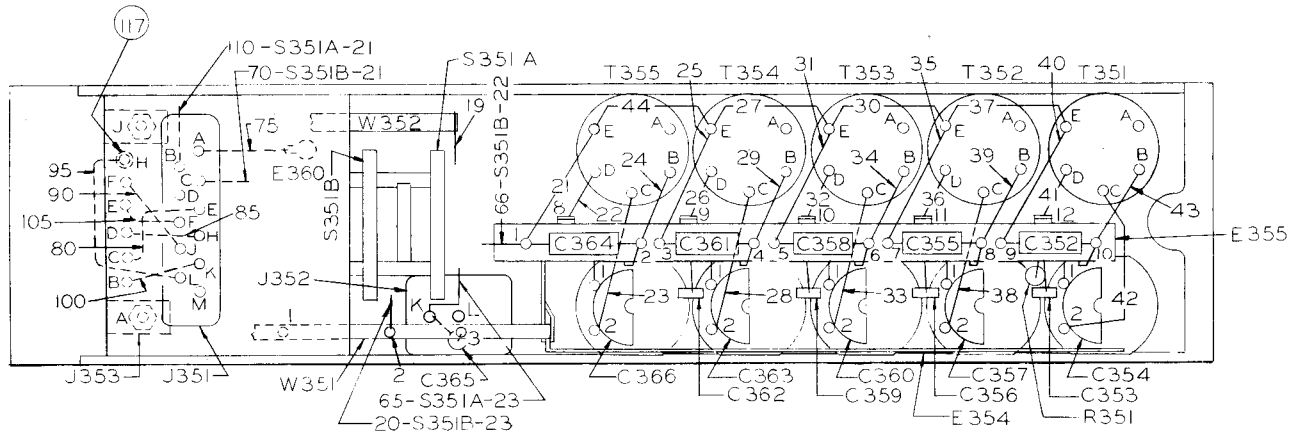
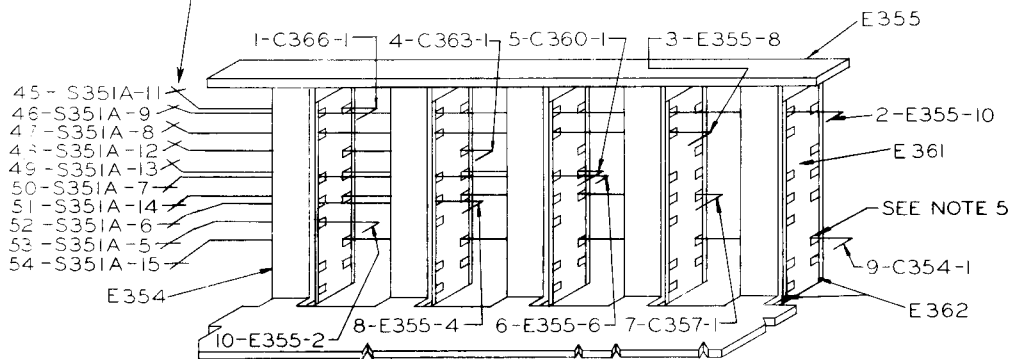
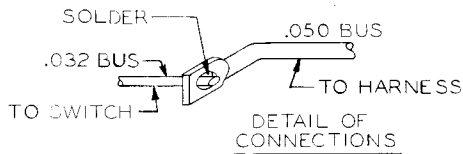


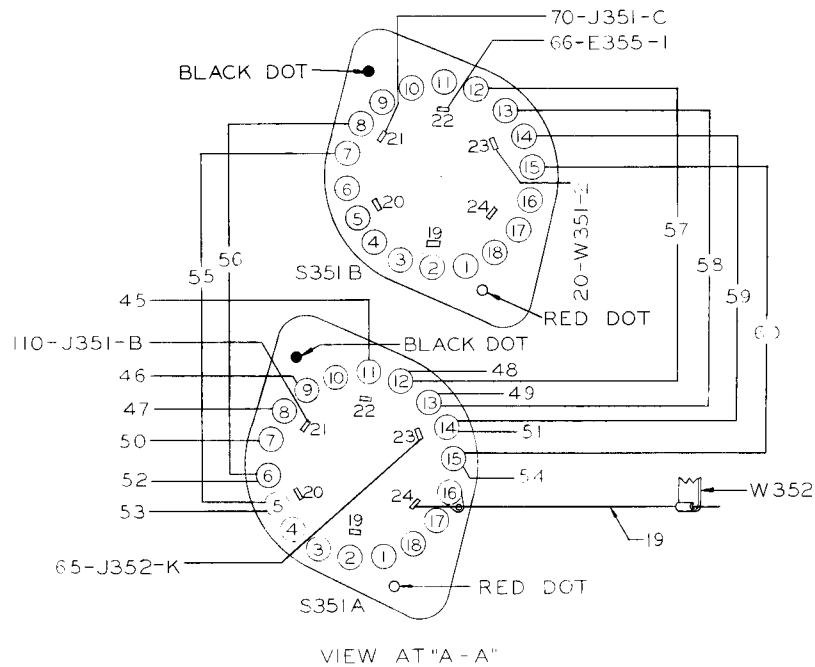
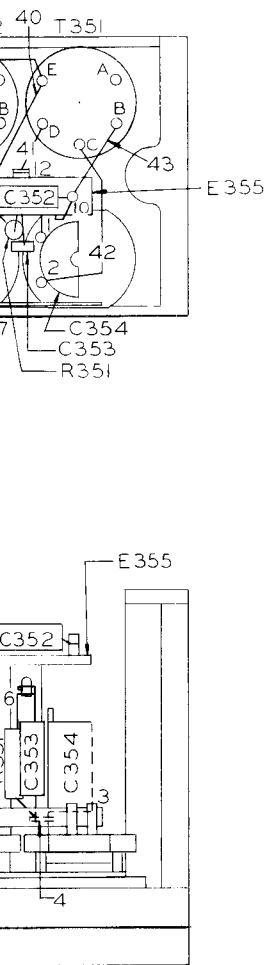
Figure 7-21. Mixer, Connection Diagram, AN/SRR-11

RESTRICTED
NAVSHIPS 91875(A)



119
BEND TO SUIT





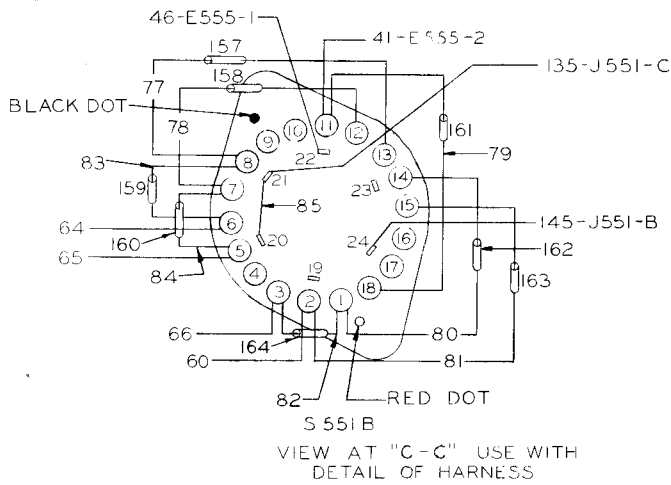
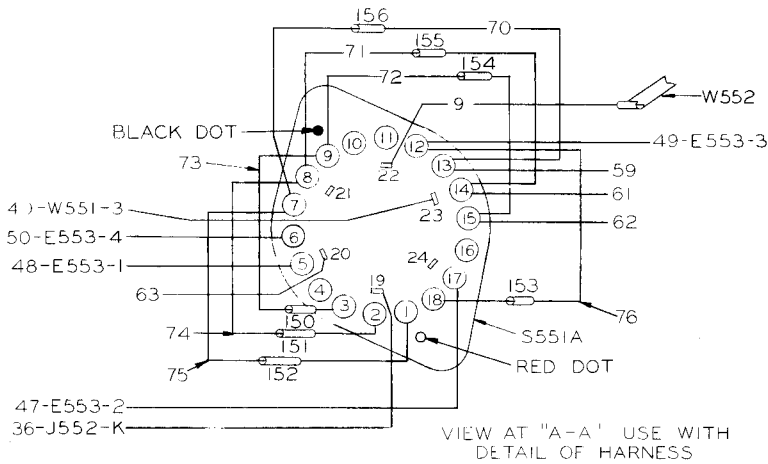
WIRE TABLE	
WIRE NO.	DESCRIPTION
1-10 INCL	WIRE TINNED COPPER .050 DIA.
19-60 INCL	WIRE TINNED COPPER .032 DIA.
65-66	WIRE TINNED COPPER .040 DIA.
70	RED-BLACK TR.
75	BLACK
80	BROWN
85	BROWN-BLACK TR.
90	RED
95	YELLOW
100	PURPLE
105	BLUE
110	WIRE BLUE-RED TR.

NOTES:

2. NUMBERS IN WIRES REFER TO WIRE TABLE. CODING AT ENDS OF WIRES INDICATE WIRE NUMBERS AND DESTINATION OF WIRES THUS: 65-J352-K, 65=WIRE NO., J352 = CONNECTOR J352, K= TERMINAL K OF J352 AS INDICATED ON THIS DRAWING.

3 CRIMP & SOLDER ALL ELECTRICAL CONNECTIONS USING

Figure 7-22. Mixer, Connection Diagram, AN/SRR-12



WIRE TABLE	
WIRE NO.	DESCRIPTION
1-10 INCL.	WIRE TINNED COPPER .050 DIA.
26-41	TINNED COPPER .040 DIA.
46-66	TINNED COPPER .032 DIA.
70-85 INCL.	TINNED COPPER .020 DIA.
110	BLACK
115	BROWN
120	BROWN-BLACK TR.
125	RED
130	YELLOW
135	RED-BROWN TR.
140	BLUE
145	WIRE BLUE-RED TR.
150-164 INCL.	SLEEVING .022 I.D.
170	SLEEVING .053 I.D.

NOTES:

- NUMBERS IN WIRES REFER TO WIRE TABLE. CODING AT ENDS OF WIRES INDICATE WIRE NO'S & DESTINATION OF WIRES. THUS: 3-C551-1, 3=WIRE NO, C551=CAPACITOR C551, 1=TERMINAL 1 OF C551 AS INDICATED ON THIS DRAWING.
- CRIMP & SOLDER ALL ELECTRICAL CONNECTIONS

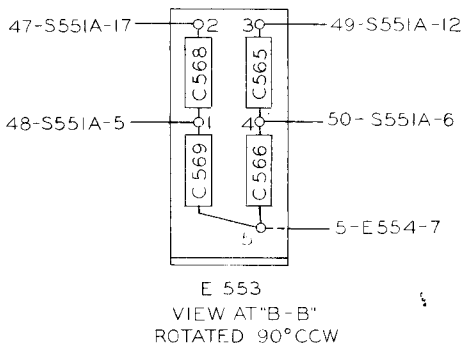
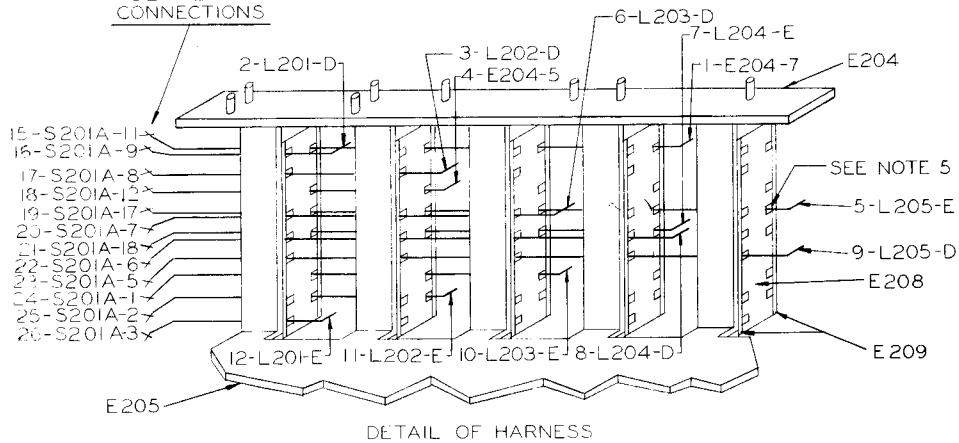
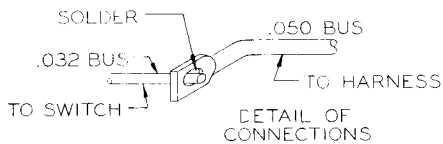
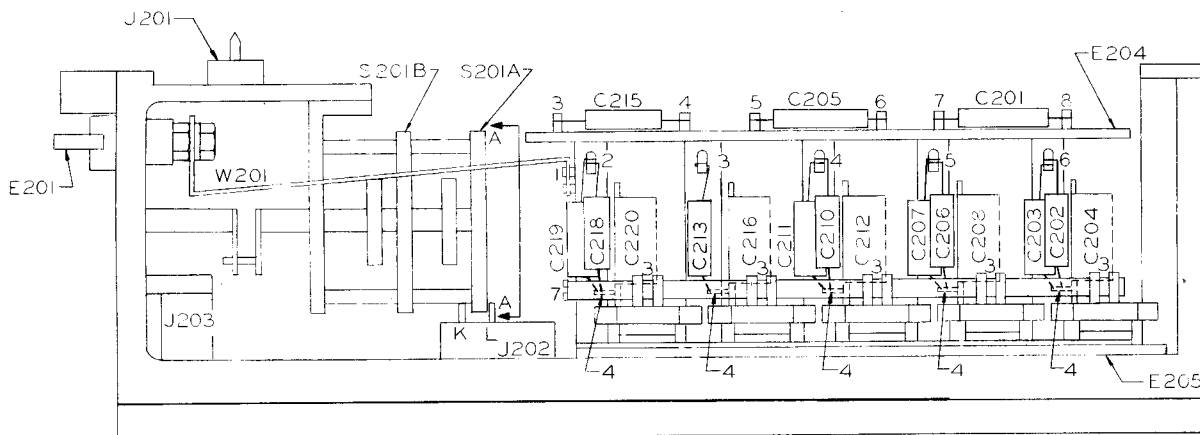
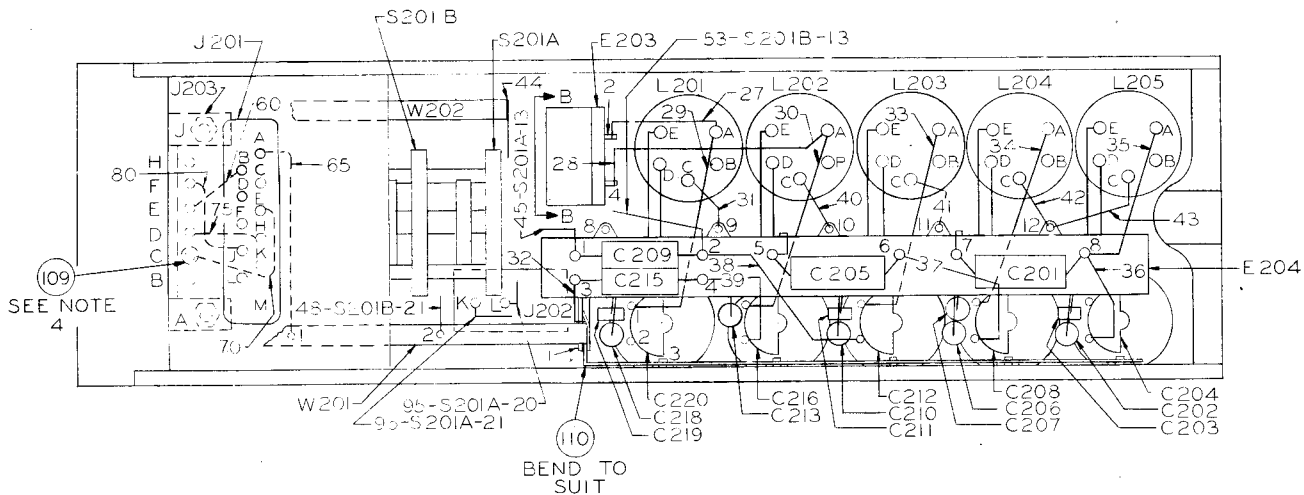
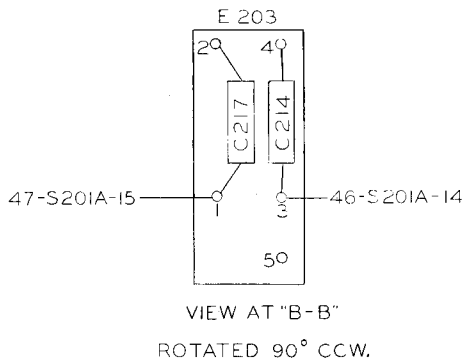
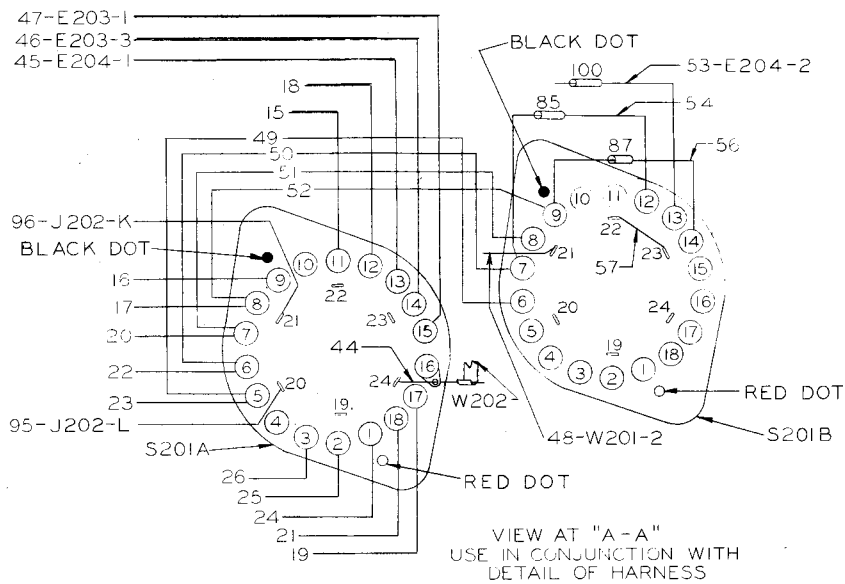
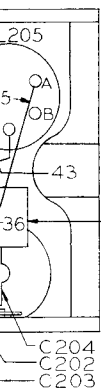


Figure 7-23. Mixer, Connection Diagram, AN/SRR-13

RESTRICTED
NAVSHIPS 91875(A)





WIRE TABLE	
WIRE NO.	DESCRIPTION
1-12 INCL.	WIRE TINNED COPPER .050 DIA.
15-53 INCL.	TINNED COPPER .032 DIA.
54-57 INCL.	TINNED COPPER .020 DIA.
60	PURPLE
65	BLACK
70	BROWN-ORANGE TR.
75	BROWN-RED TR.
80	WIRE RED-ORANGE TR.
85-87 INCL.	SLEEVING .022 I.D.
95-96	WIRE TINNED COPPER .040 DIA.
100	SLEEVING .034 I.D.

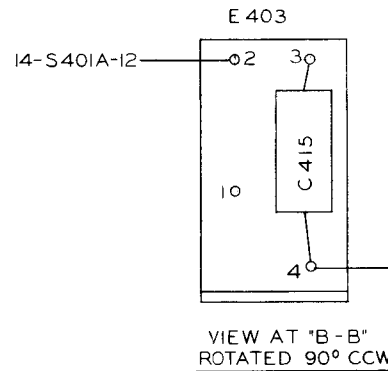
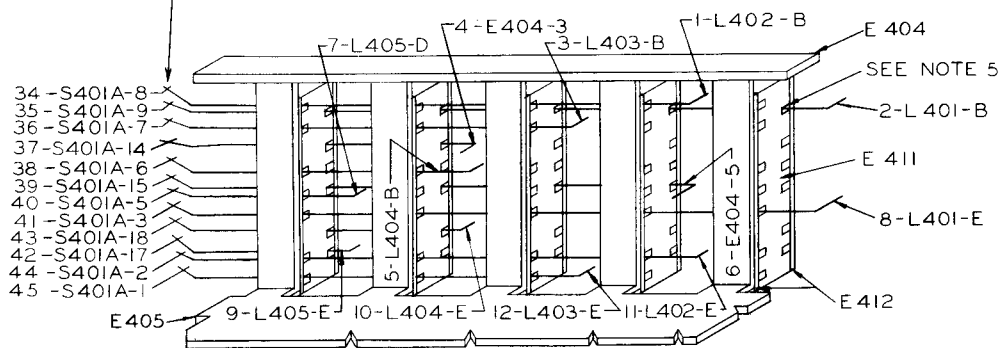
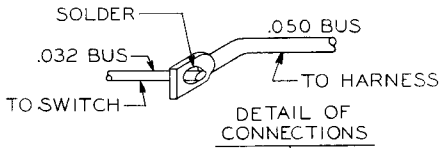
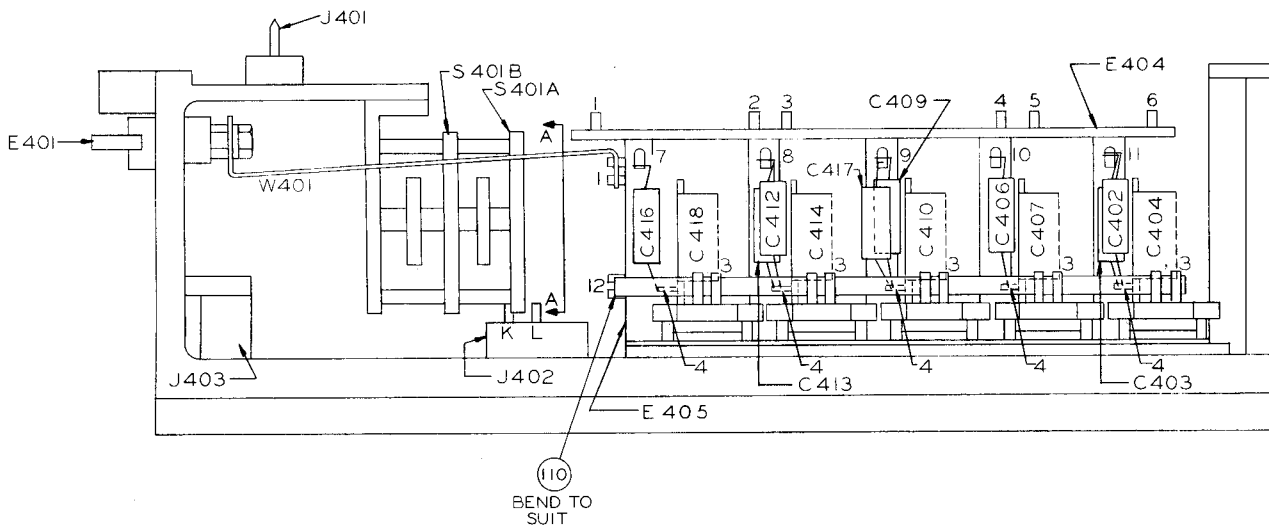
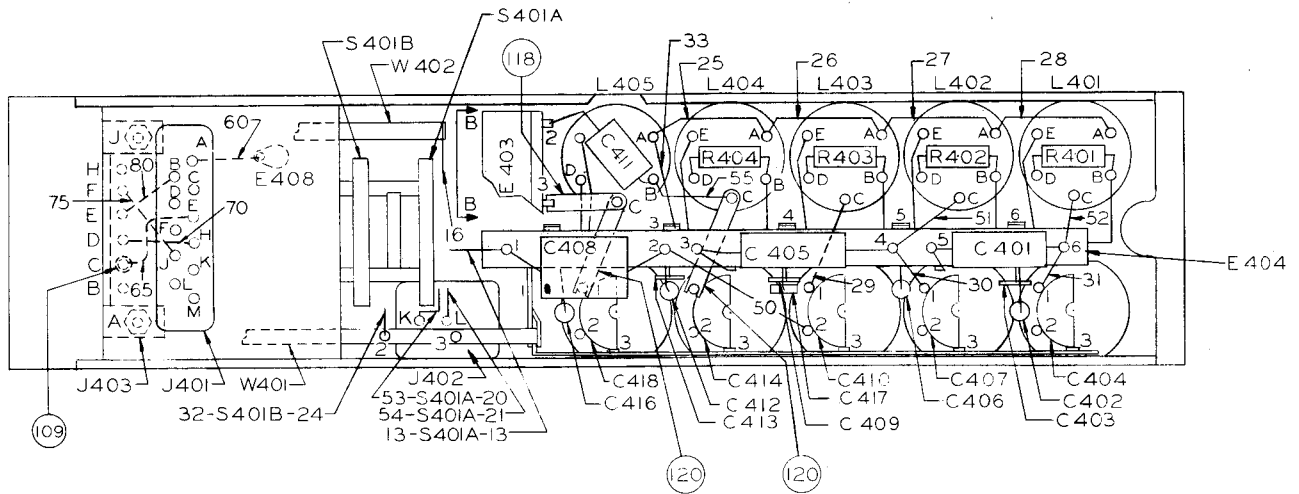
NOTE 5
E205-E
E205-D
Q8
Q9

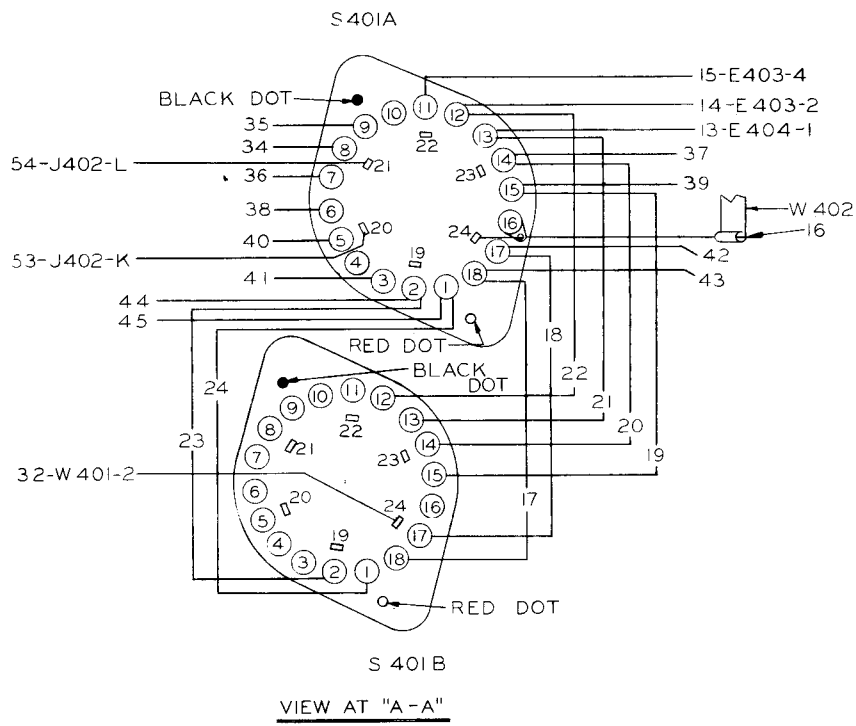
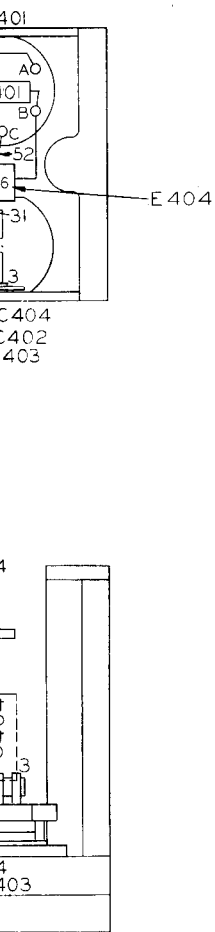
NOTES

- NUMBERS IN WIRES REFER TO WIRE TABLE, CODING AT ENDS OF WIRES INDICATE WIRE NUMBERS AND DESTINATION OF WIRES. THUS: 47-E203-1, 47-WIRE NO., E203= TERMINAL BOARD E203, 1= TERMINAL 1 OF E203 AS INDICATED ON THIS DRAWING.
- CRIMP & SOLDER ALL ELECTRICAL CONNECTIONS

Figure 7-24. Oscillator, Connection Diagram, AN/SRR-11

RESTRICTED
NAVSHIPS 91875(A)



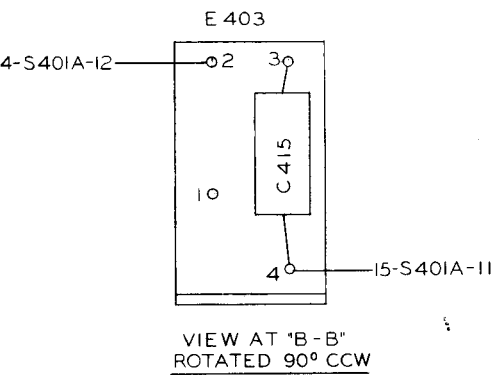


VIEW AT "A-A"

WIRE TABLE	
WIRE NO.	DESCRIPTION
1-12 INCL.	WIRE TINNED COPPER .050 DIA.
13-45 INCL.	TINNED COPPER .032 DIA.
50-55 INCL.	TINNED COPPER .040 DIA.
60	BLACK
65	BROWN-RED TR.
70	BROWN-ORANGE TR.
75	RED-ORANGE TR.
80	WIRE PURPLE

NOTES:

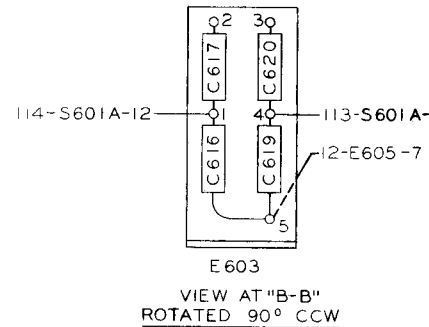
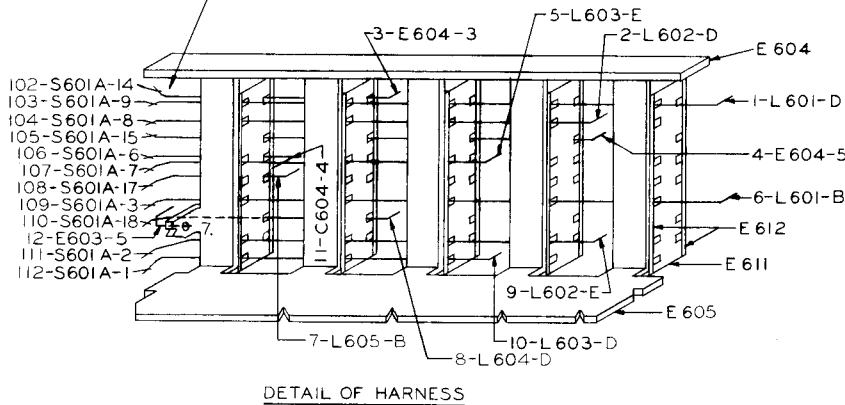
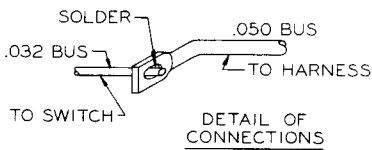
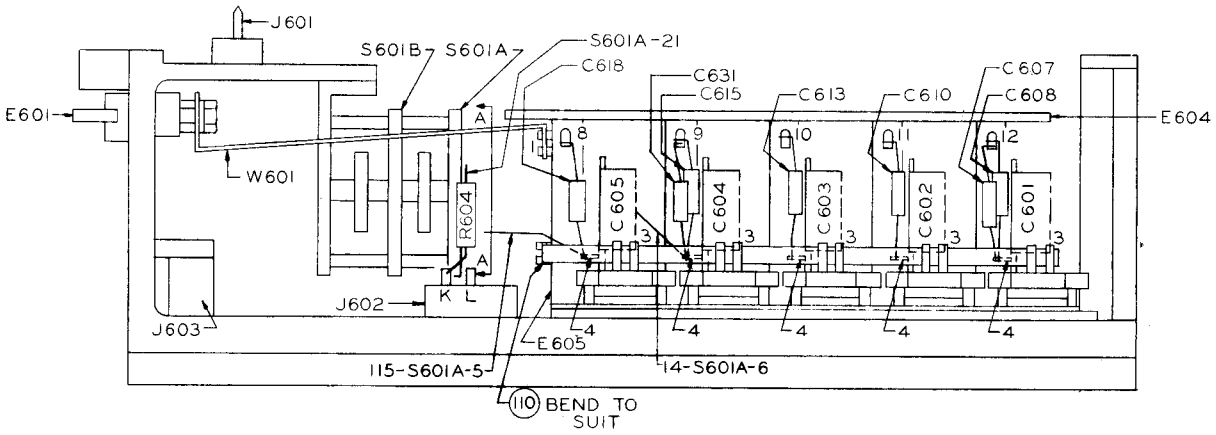
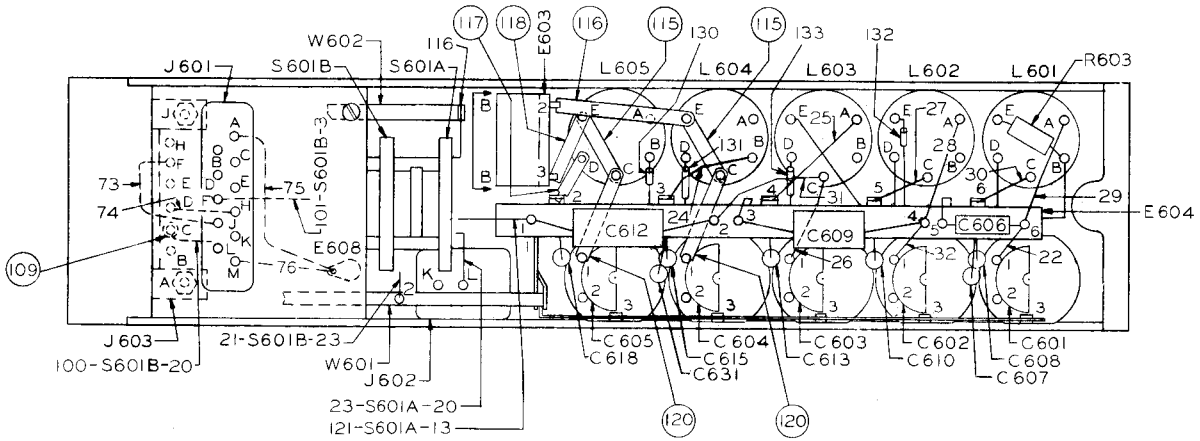
- NUMBERS IN WIRE REFER TO WIRE TABLE. CODING AT ENDS OF WIRES INDICATE WIRE NUMBERS AND DESTINATION OF WIRES THUS: 6-E 404-5, 6=WIRE NO., E 404= TERMINAL BOARD E 404, 5=TERMINAL 5 OF E 404 AS INDICATED ON THIS DRAWING.
- CRIMP & SOLDER ALL ELECTRICAL CONNECTIONS



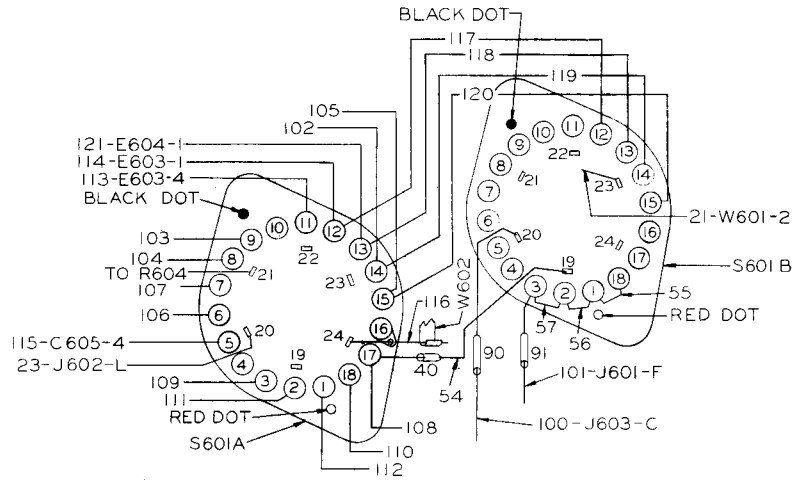
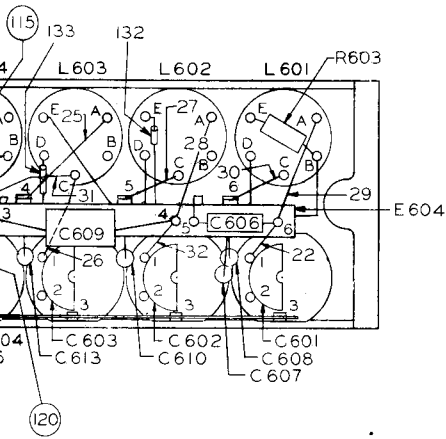
VIEW AT "B-B"
ROTATED 90° CCW

Figure 7-25. Oscillator, Connection Diagram, AN/SRR-12

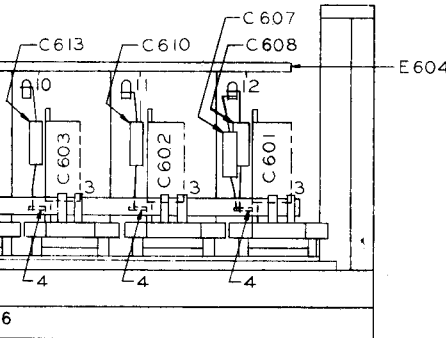
RESTRICTED
NAVSHIPS 91875(A)



RESTRICTED



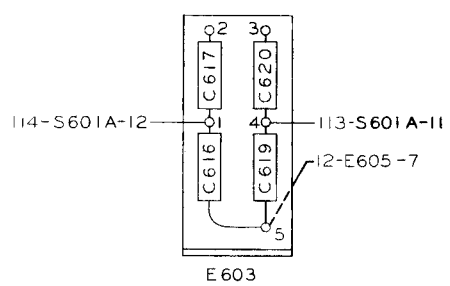
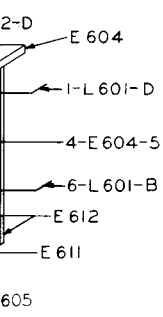
VIEW AT "A-A"
USE IN CONJUNCTION WITH
DETAIL OF HARNESS



WIRE TABLE	
WIRE NO.	DESCRIPTION
1-12 INCL.	WIRE TINNED COPPER .050 DIA.
21-32 INCL.	WIRE TINNED COPPER .040 DIA.
40	SLEEVING .022 I.D.
54-57 INCL.	WIRE TINNED COPPER .020 DIA.
73	- RED-ORN. TR.
74	- BRN.-ORN. TR.
75-76	WIRE - BLACK
90-91	SLEEVING .034 I.D.
100-121 INCL.	WIRE TINNED COPPER .032 DIA.
130-133 INCL.	SLEEVING .053 DIA.

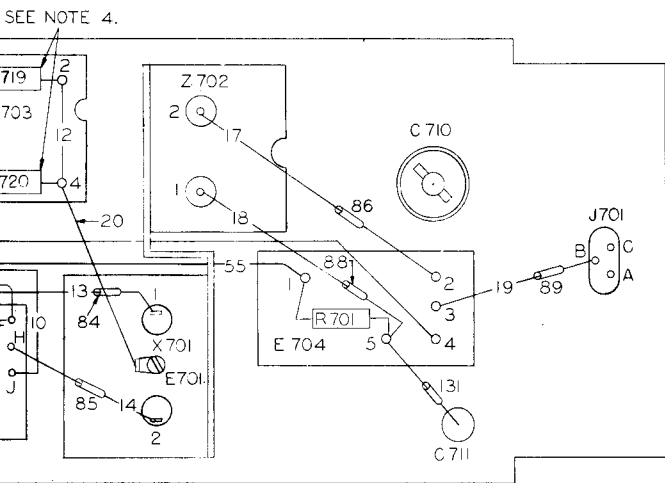
NOTES:

- 2- NOS. IN WIRES REFER TO WIRE TABLE, CODING AT ENDS OF WIRES INDICATE WIRE NO. & DESTINATION OF WIRE THUS:- 4-E604-5, 4= WIRE NO, E604= ITEM E604, 5= TERMINAL 5 OF E604 AS INDICATED ON THIS DRAWING.
- 3- CRIMP & SOLDER ALL ELECTRICAL CONNECTIONS

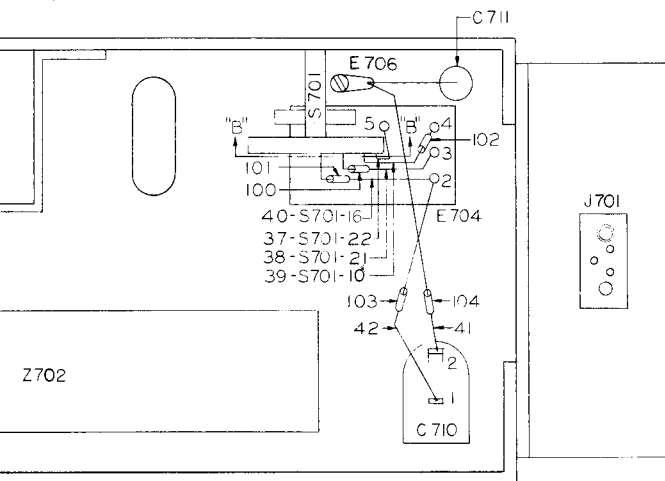


E 603
VIEW AT "B-B"
ROTATED 90° CCW

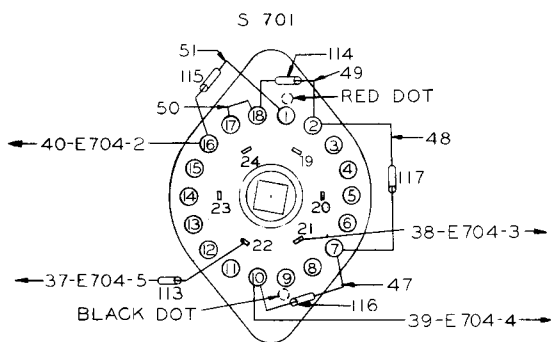
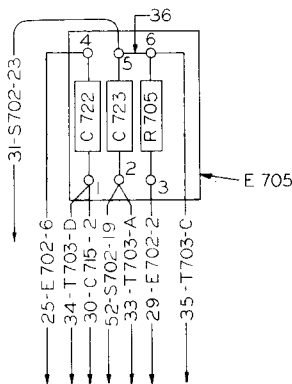
Figure 7-26. Oscillator, Connection Diagram, AN/SRR-13



WIRE TABLE	
WIRE NO	DESCRIPTION
4-52 INCL	WIRE, TINNED COPPER .020 DIA.
55	WIRE, RED
60-61	WIRE, BRN.
65-66	WIRE, BRN.-BLK. TR
70	WIRE, ORN.
78-119 INCL	SLEEVING .022 I.D.
130-132 INCL	SLEEVING .034 I.D.



VIEW AT "C-C"
ROTATED 90° CCW



VIEW AT "B-B"

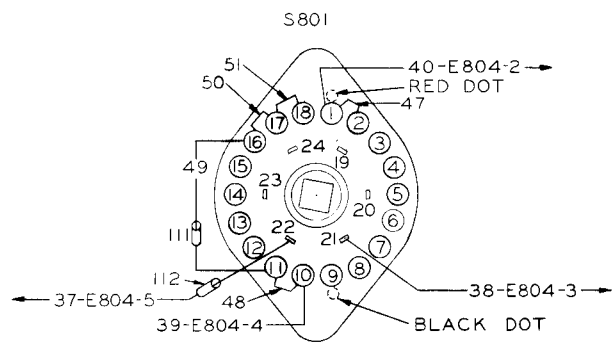
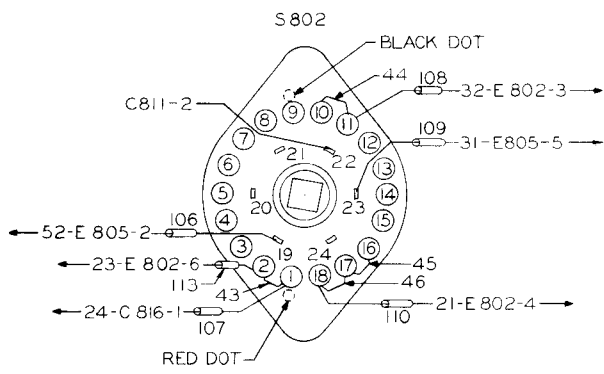
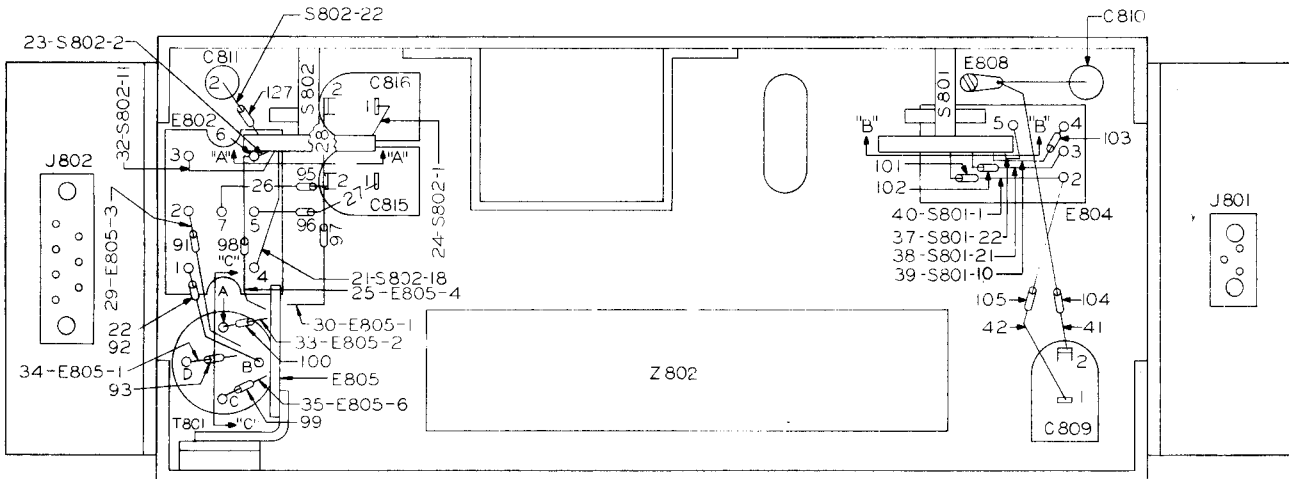
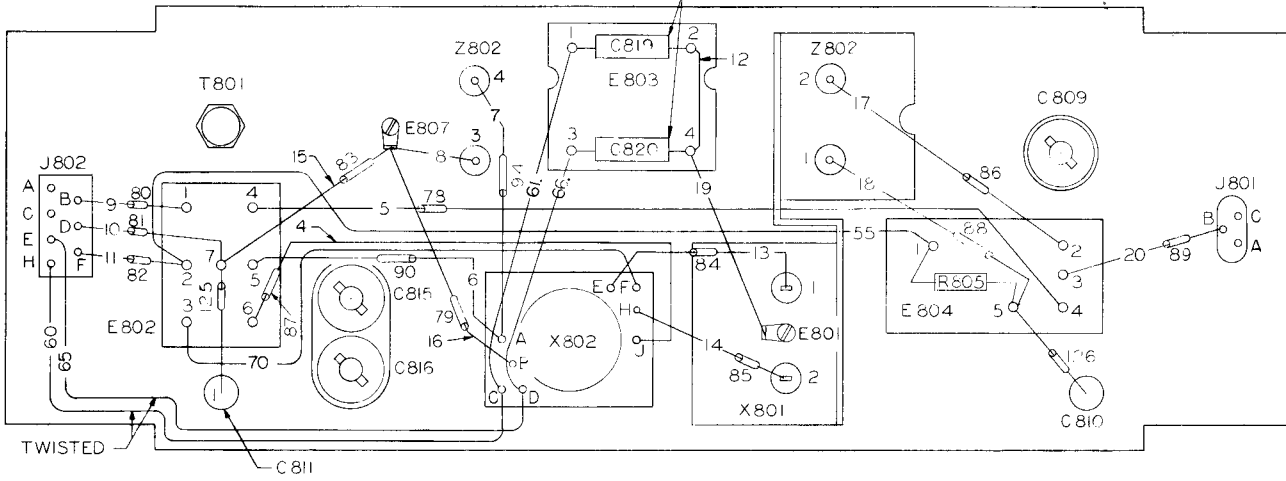
NOTES-

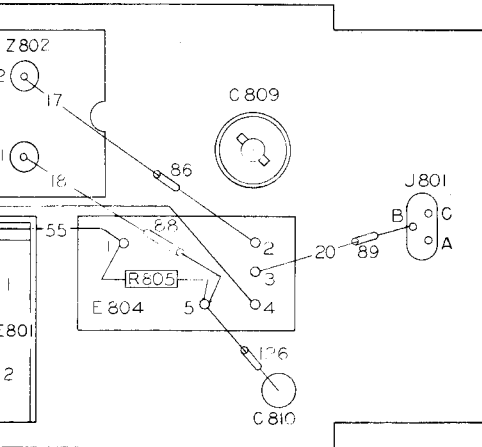
1. CRIMP & SOLDER ALL ELECTRICAL CONNECTIONS
2. CAPACITORS ARE TO BE CONNECTED TO GROUND.
3. NUMBERS IN WIRES REFER TO WIRE TABLE.
4. CASE OF CAPACITOR CONNECTED TO GROUND.

Figure 7-27. First I-F Amplifier, Connection Diagram, AN/SRR-11

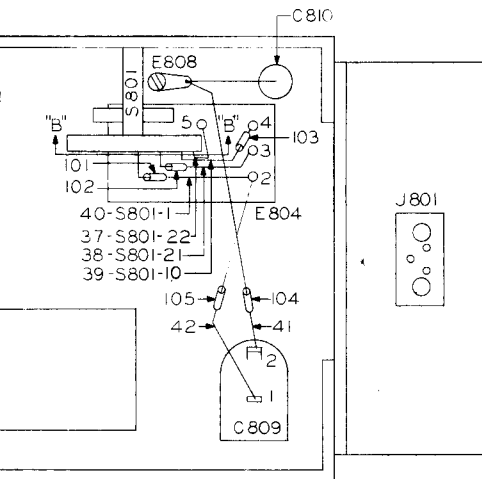
RESTRICTED
NAVSHIPS 91875(A)

SEE NOTE 4.

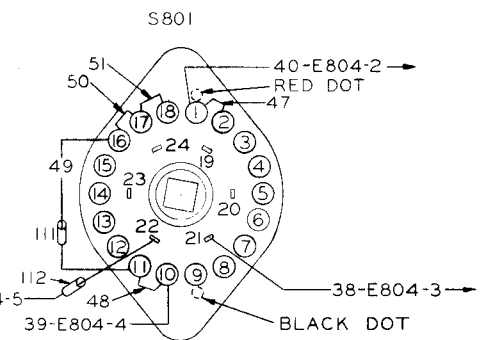
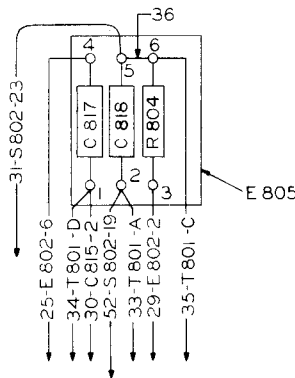




WIRE TABLE	
WIRE NO.	DESCRIPTION
4-52 INCL.	WIRE, TINNED COPPER .020 DIA.
55	RED
60-61	BRN.
65-66	BRN. BLK. TR
70	WIRE, ORN.
78-113 INCL.	SLEEVING .022 I.D.
125-127 INCL.	SLEEVING .034 I.D.



VIEW AT "C-C"
ROTATED 90° CCW



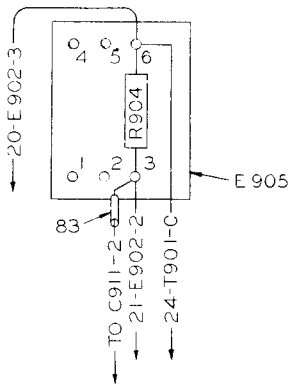
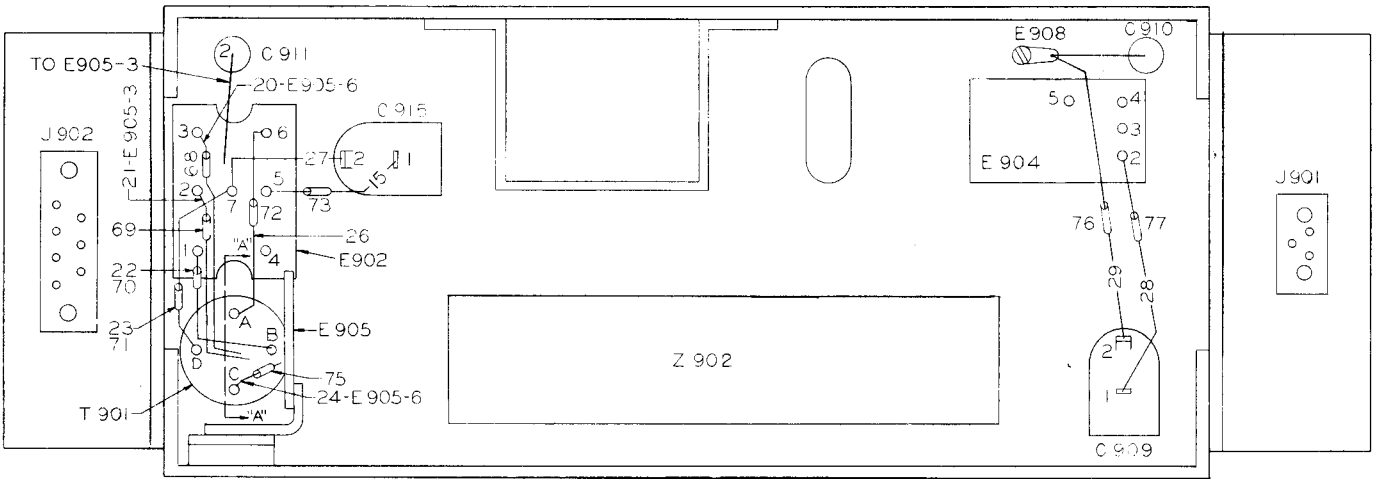
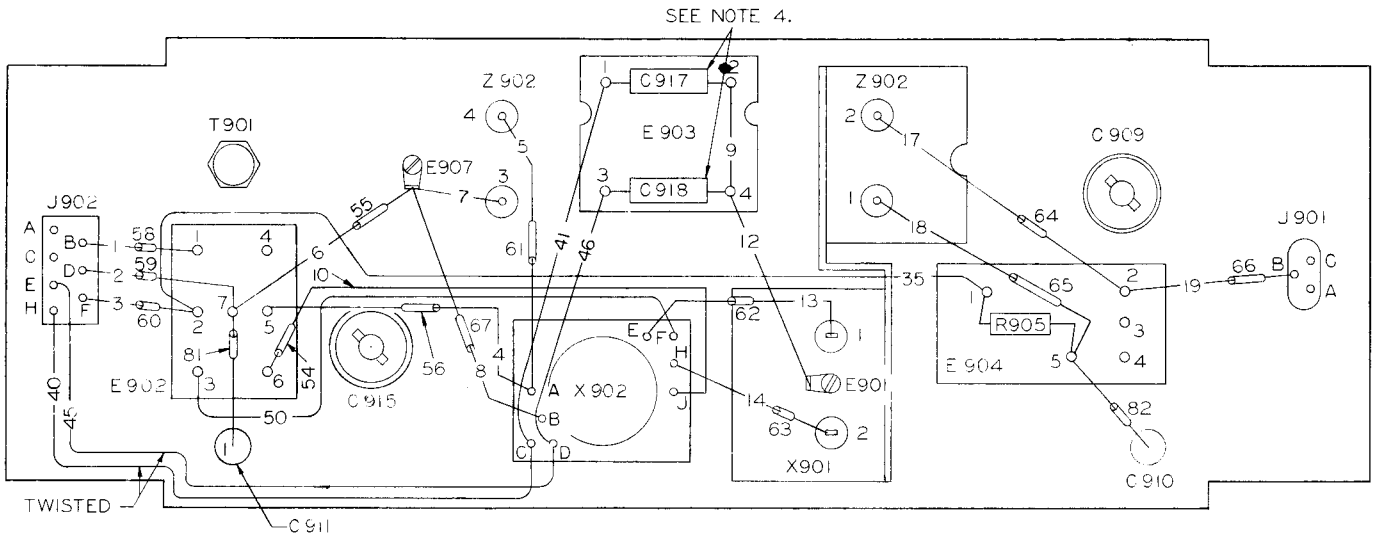
VIEW AT "B-B"

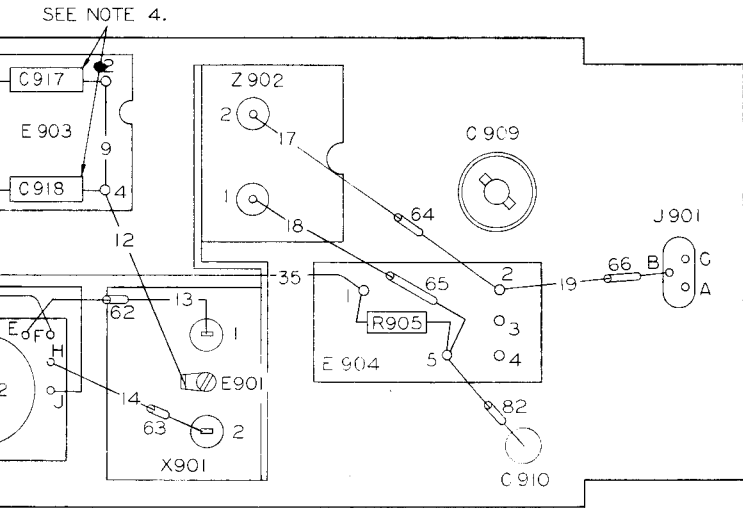
NOTES-
1. CRIMP & SOLDER ALL ELECTRICAL CONNECTIONS

3. NUMBERS IN WIRES REFER TO WIRE TABLE.
4. CASE OF CAPACITOR CONNECTED TO GROUND.

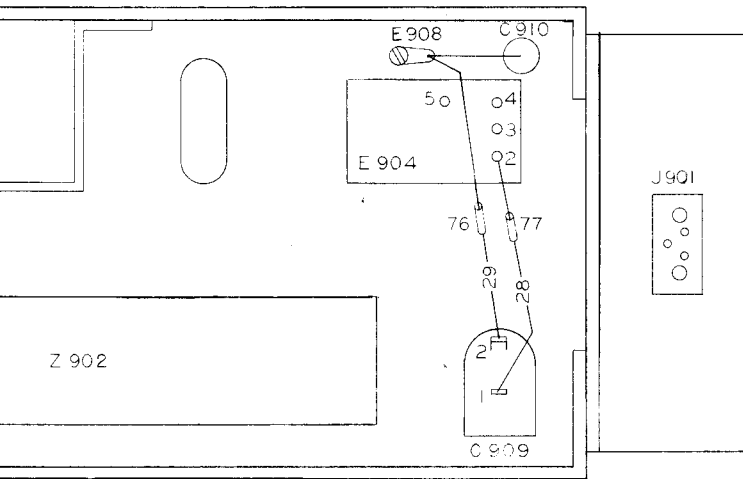
Figure 7-28. First I-F Amplifier, Connection Diagram, AN/SRR-12

RESTRICTED
NAVSHIPS 91875(A)





WIRE TABLE	
WIRE NO	DESCRIPTION
1-29 INCL	WIRE TINNED COPPER .020 DIA.
35	↑ RED
40-41	↓ BRN.
45-46	↓ BRN.-BLK. TR
50	WIRE ORN.
54-77 INCL	SLEEVING .022 I.D.
81-83 INCL	SLEEVING .034 I.D.



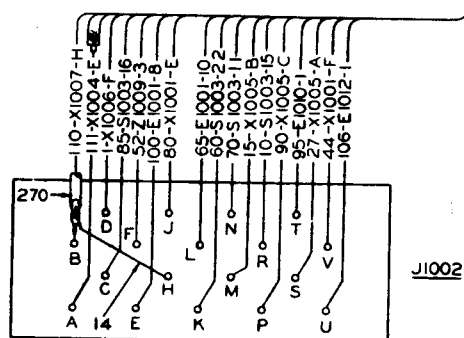
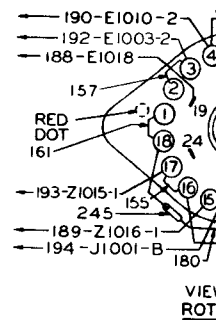
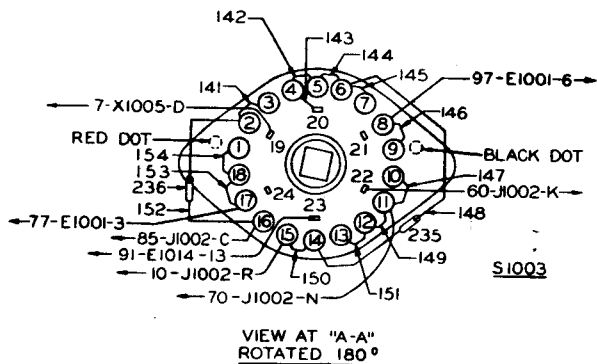
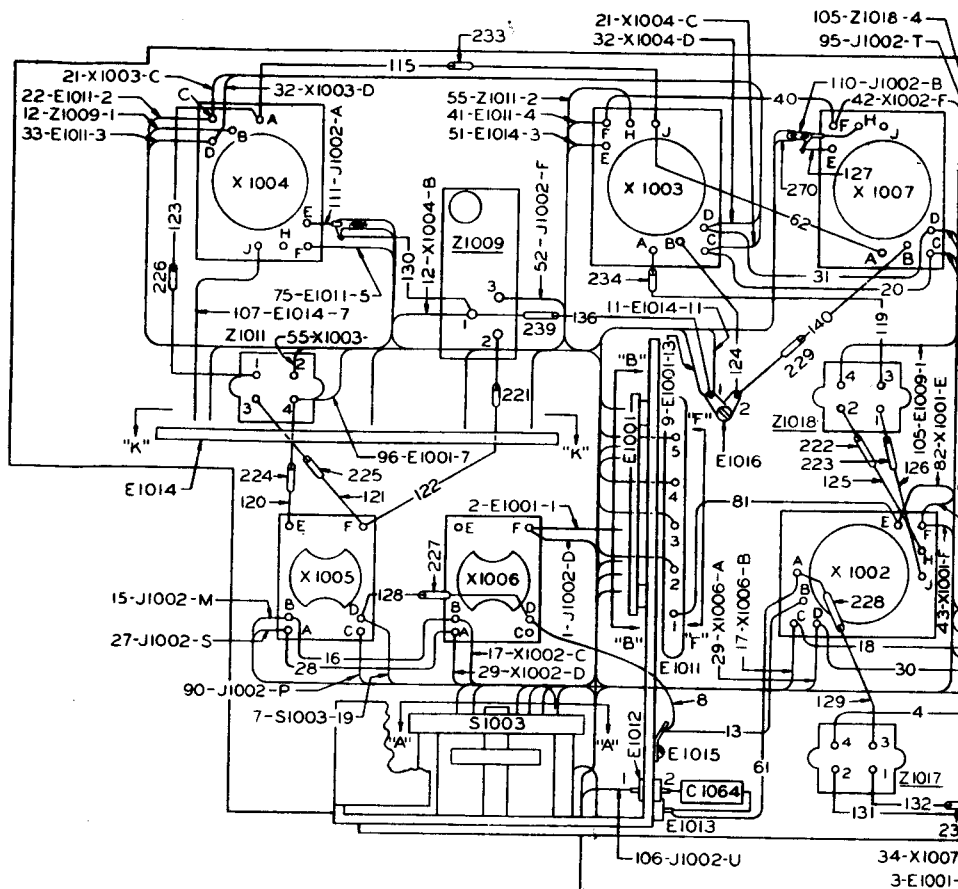
NOTES-

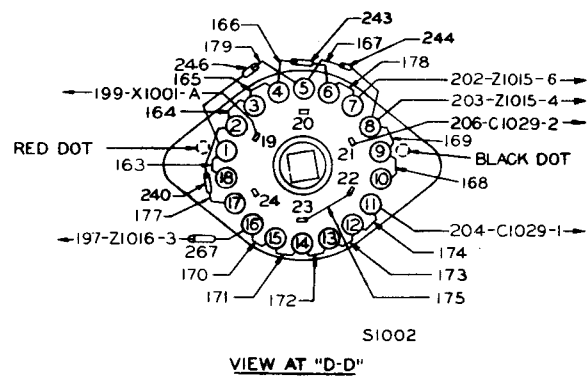
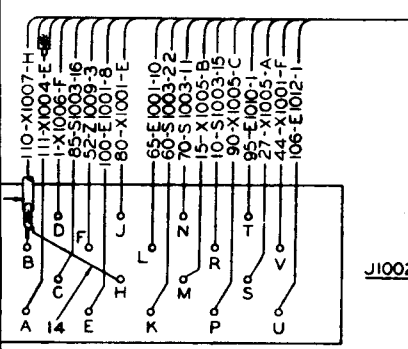
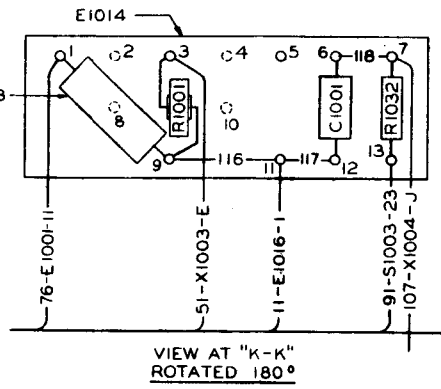
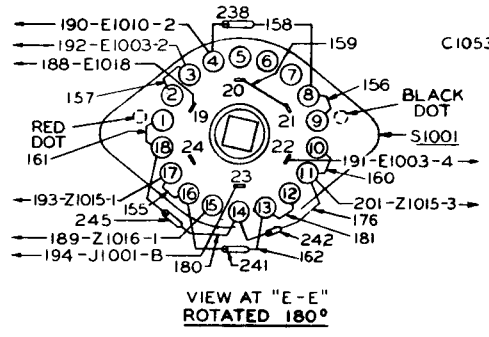
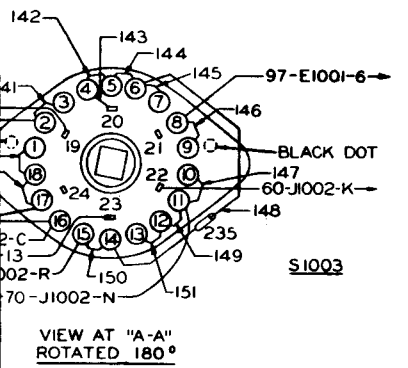
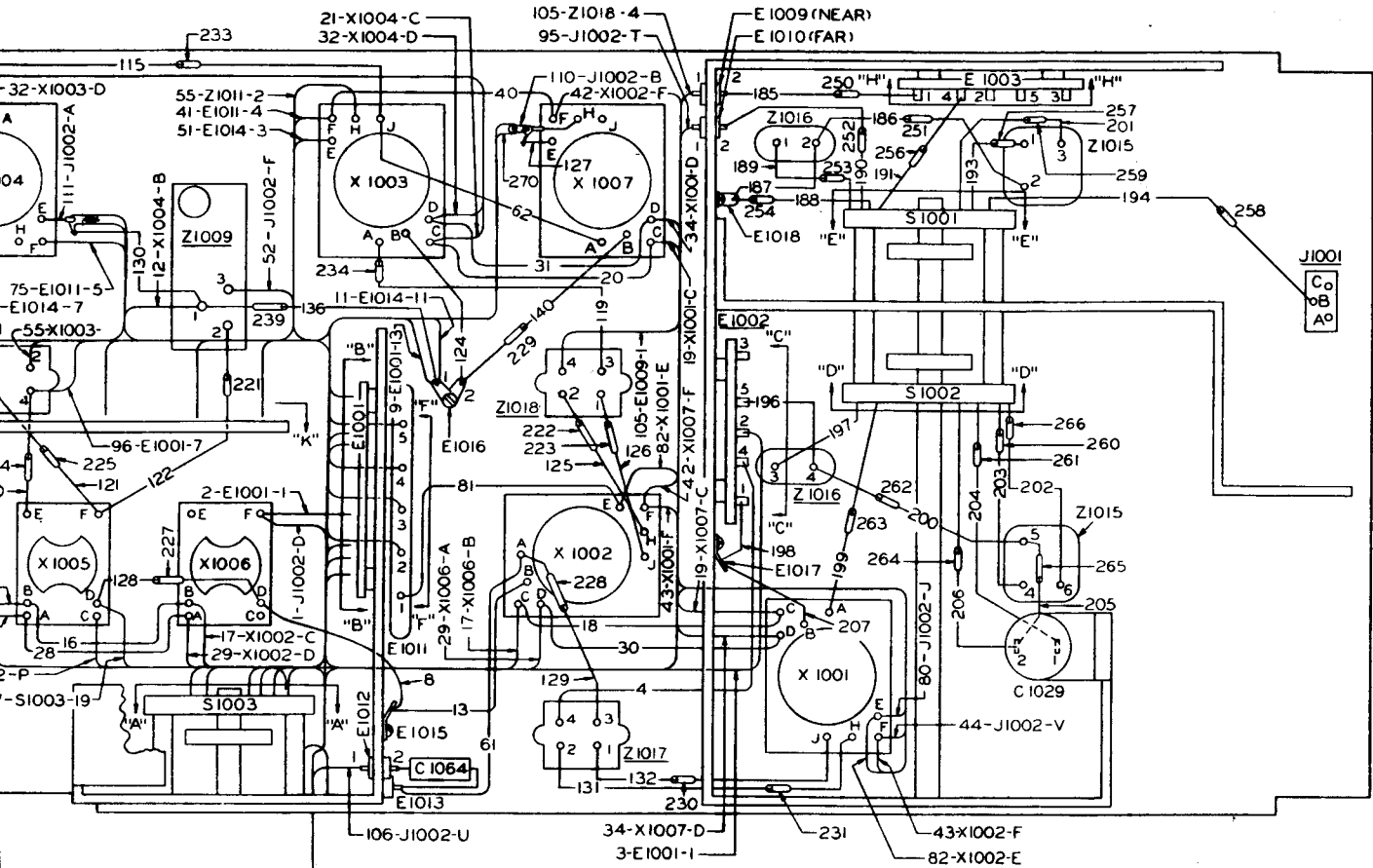
1. CRIMP & SOLDER ALL ELECTRICAL CONNECTIONS
3. NUMBERS IN WIRES REFER TO WIRE TABLE.
4. CASE OF CAPACITOR CONNECTED TO GROUND.

Figure 7-29. First I-F Amplifier, Connection Diagram, AN/SRR-13

AN/SRR-11, -12, -13
CORRECTIVE MAINTENANCE

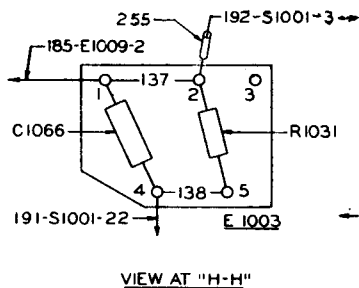
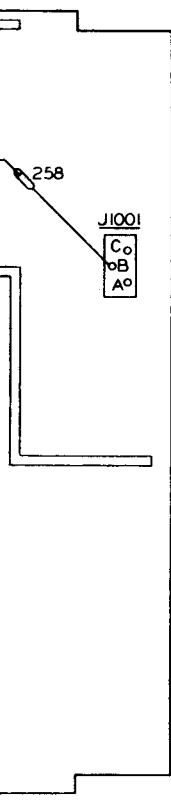
NAVSHIPS 91875(A)



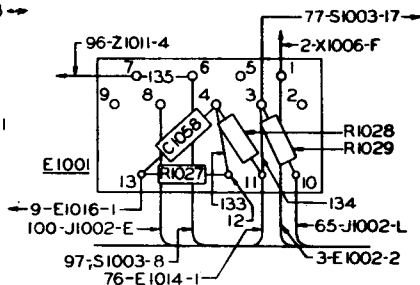


WIRE NO.		
1-4 INCL.	WIR	
7-14		
15-22		
27-34		
40-44 INCL.		
51-52		
55		
60-62 INCL.		
65		
70		
75-77 INCL.		
80-82 INCL.		
85		
90-91		
95-97 INCL.		
100		
105-107 INCL.	WIR	
110	WIR	
111	WIR	
115-181 INCL.	WIRE	
185-207 INCL.	WIRE	
221-246 INCL.	SLEE	
250-267 INCL.	SLEE	
270	SLEE	

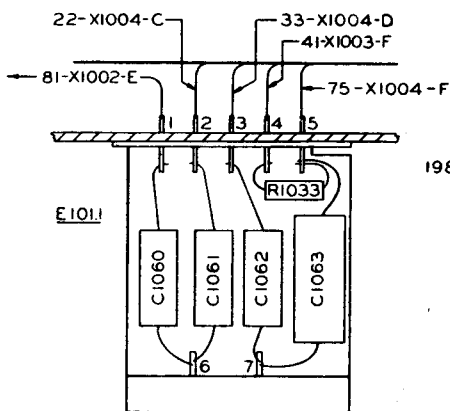
- NOTES-
1. SCHEMATIC SYMBOL NUMBERS, ITEM LIST OF PARTS
 2. CRIMP & SOLDER ALL ELECTRICAL
 - 3.
 4. TIE CABLES USING LACING
 5. NUMBERS IN WIRES REFER TO WIRE NUMBERS AND DESTINATION X1007 = SOCKET X1007, C=TE THIS DRAWING.



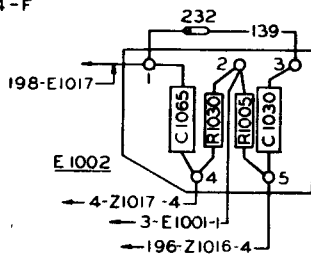
VIEW AT "H-H"



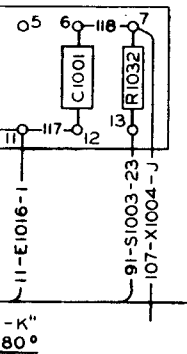
VIEW AT "B-B"
ROTATED 90° CCW



VIEW AT "F-F"
ROTATED 90° CW



VIEW AT "C-C"
ROTATED 90° CW

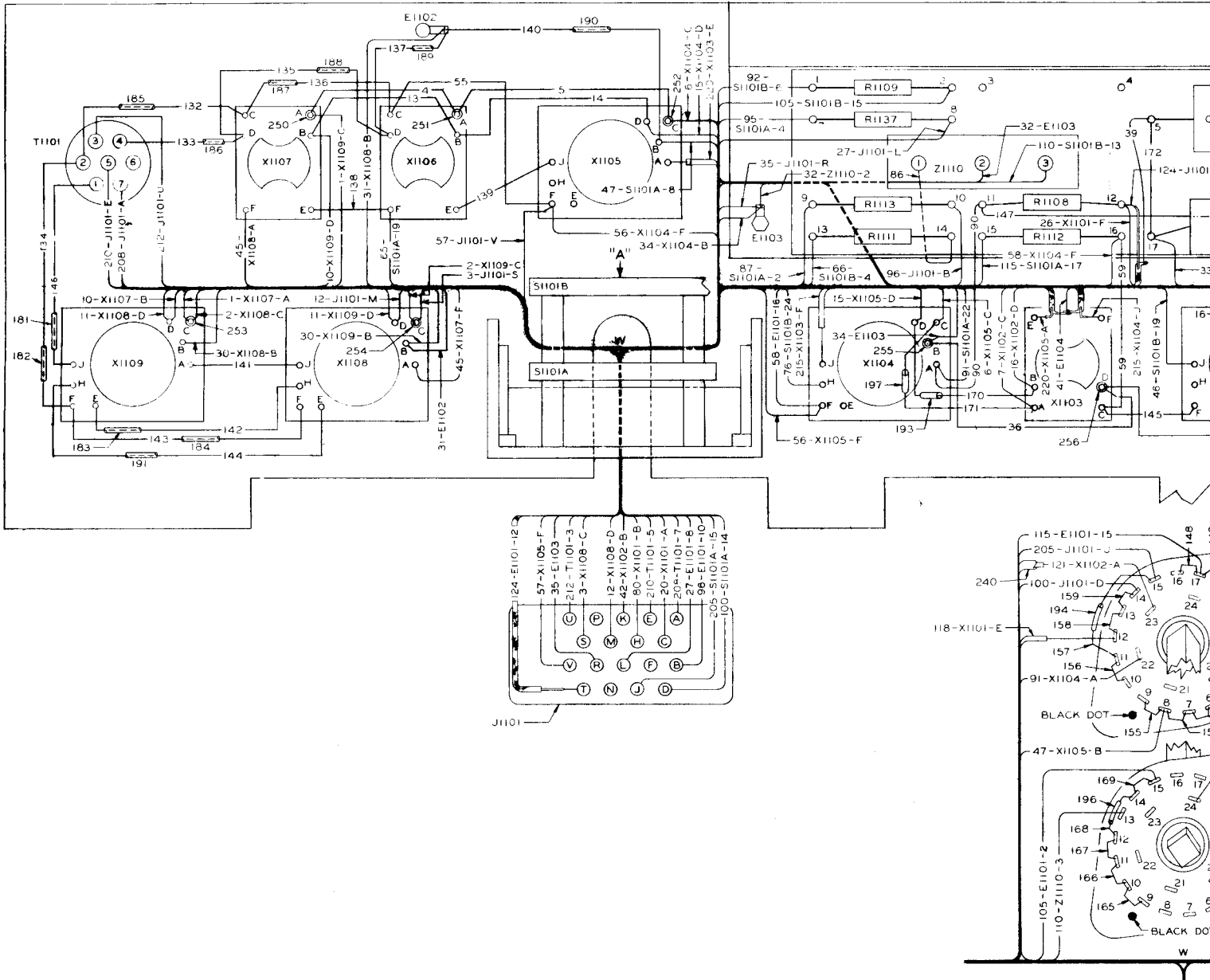


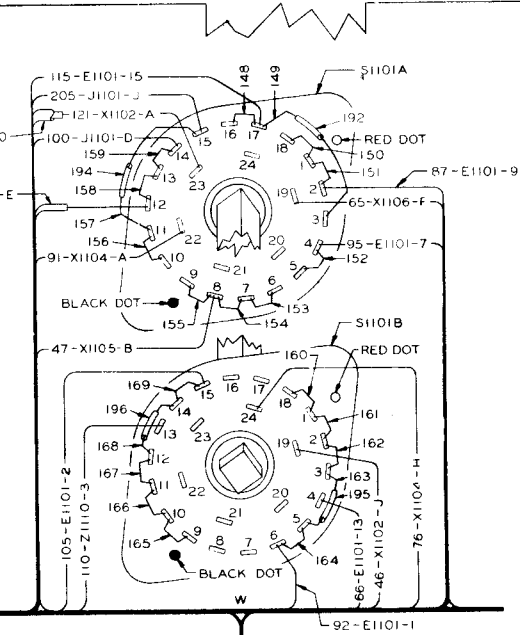
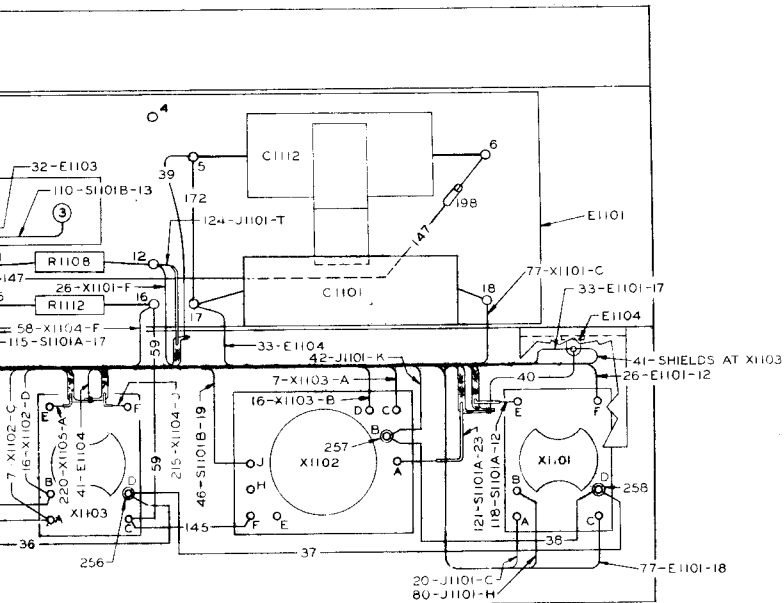
WIRE NO.	DESCRIPTION
1-4 INCL.	WIRE WHITE
7-14	BLK.
15-22	BRN. - GRN. TR.
27-34	BRN. - YEL. TR.
40-44 INCL.	RED
51-52	YEL.
55	ORN.
60-62 INCL.	GRN.
65	RED - ORN. TR.
70	WHT. - BRN. TR.
75-77 INCL.	RED - BLUE TR.
80-82 INCL.	YEL. - BLK. TR.
85	YEL. - BRN. TR.
90-91	YEL. - GRN. TR.
95-97 INCL.	YEL. - RED TR.
100	YEL. - ORN. TR.
105-107 INCL.	WIRE GRN. - BLK. TR.
110	WIRE SHIELDED (YELLOW)
111	WIRE SHIELDED (PURPLE)
115-181 INCL.	WIRE TINNED COPPER .020 DIA.
185-207 INCL.	WIRE TINNED COPPER .032 DIA.
221-246 INCL.	SLEEVING .022 I.D.
250-267 INCL.	SLEEVING .034 I.D.
270	SLEEVING .095 I.D.

- NOTES-
- SCHEMATIC SYMBOL NUMBERS, ITEM NUMBERS & NUMBER IN BALLOON REFER TO LIST OF PARTS
 - CRIMP & SOLDER ALL ELECTRICAL CONNECTIONS
 - TIE CABLES USING LACING CORD WHERE NECESSARY.
 - NUMBERS IN WIRES REFER TO WIRE TABLE. CODING AT ENDS OF WIRES INDICATE WIRE NUMBERS AND DESTINATION OF WIRES. THUS: 19-X1007-C, 19=WIRE NO., X1007 = SOCKET X1007, C=TERMINAL OF SOCKET X1007 AS INDICATED ON THIS DRAWING.

Figure 7-30A. Second I-F Amplifier, Connection Diagram (AN/SRR-13A)

RESTRICTED
NAVSHIPS 91875(A)





VIEW IN DIRECTION OF ARROW "A"

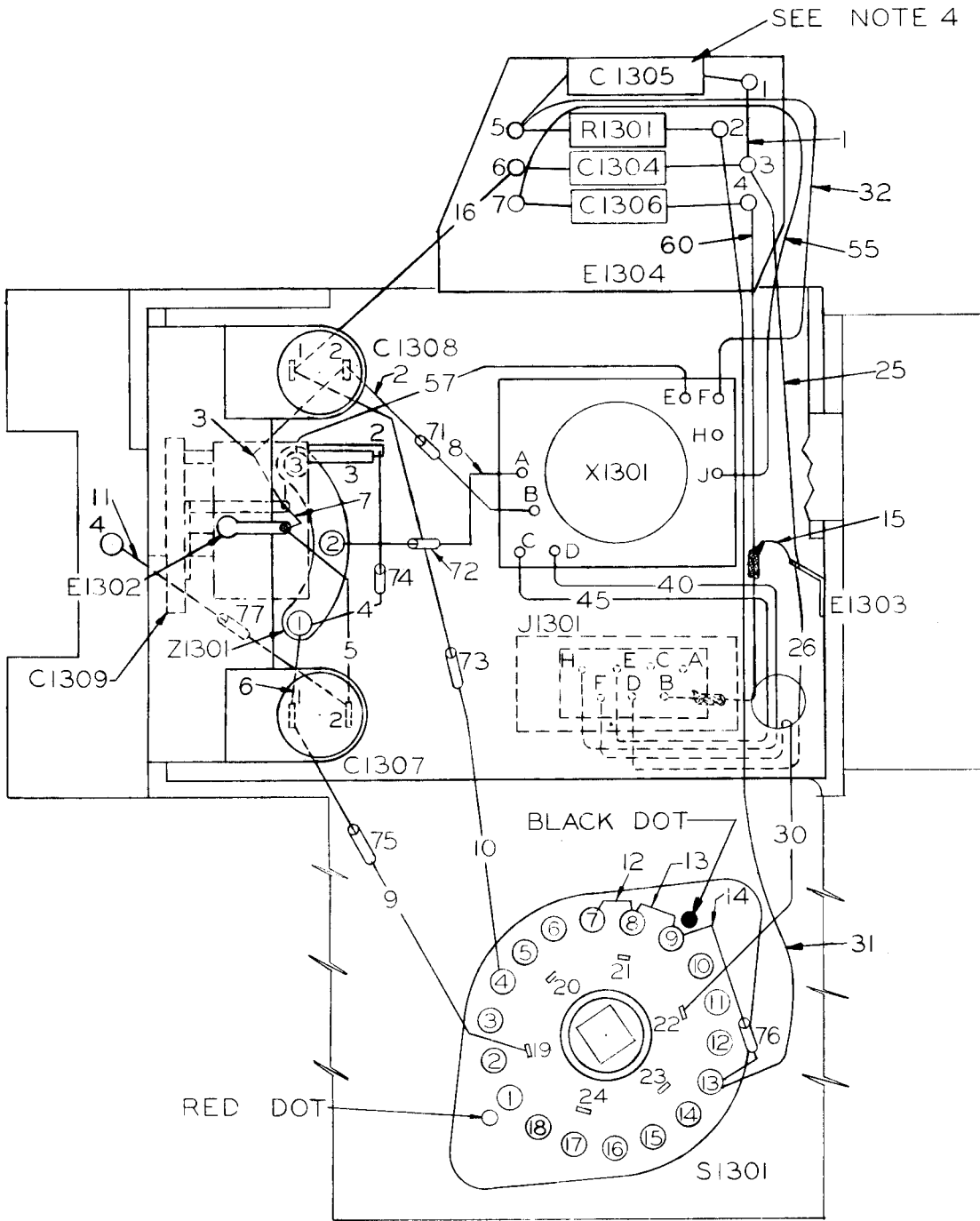
WIRE TABLE	
WIRE NO.	DESCRIPTION
1 - 7 INCL.	WIRE BROWN-GREEN TR.
10 - 16 INCL.	BROWN-YEL. TR.
20	BRN. - PURPLE TR.
26 - 27	WHITE
30 - 42 INCL.	BLACK
45 - 47 INCL.	GREEN
55 - 59 INCL.	RED
65 - 66	BLUE
76 - 77	YELLOW
80	BRN.-BLUE TR.
86 - 87	BLUE - BRN. TR.
90 - 92 INCL.	RED-GRN. TR.
95 - 96	RED-BLK. TR.
100	GRN - BRN. TR.
105	YEL. - GRN. TR.
110	YEL. - BLK. TR.
115	BLUE-RED TR.
118	SHIELDED (WHITE)
121	SHIELDED (GRN.-YEL. TR.)
124	SHIELDED (GREEN)
132 - 172 INCL.	WIRE TINNED COPPER .020 DIA.
181 - 198 INCL.	SLEEVING .022 I.D.
205	WIRE GRN. - BLK. TR.
208	WHITE - BLACK TR.
210	WHITE - BROWN TR.
212	WHITE - RED TR.
215	SHIELDED (BLUE)
220	WIRE SHIELDED (YEL.)
240	SLEEVING .095 I.D.
250-258 INCL.	SLEEVING .133 I.D.

NOTES

1. CRIMP & SOLDER ALL ELECTRICAL CONNECTIONS
4. NUMBERS IN WIRES REFER TO WIRE TABLE. CODING AT ENDS OF WIRES INDICATES WIRE NUMBER AND DESTINATION OF WIRE. THUS: 58-E1101-16, 58= WIRE NUMBER, E1101= TERMINAL BOARD E1101, AND 16= TERMINAL 16 OF E1101 AS INDICATED ON THIS DRAWING.

Figure 7-31. Audio Amplifier, Connection Diagram

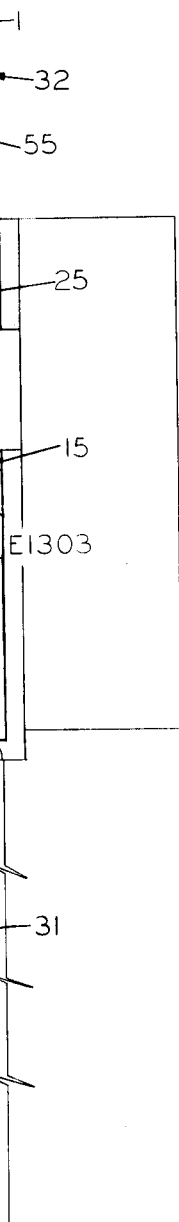
RESTRICTED
NAVSHIPS 91875(A)



1
2
3
4
5
6
7

NOT

NOTE 4



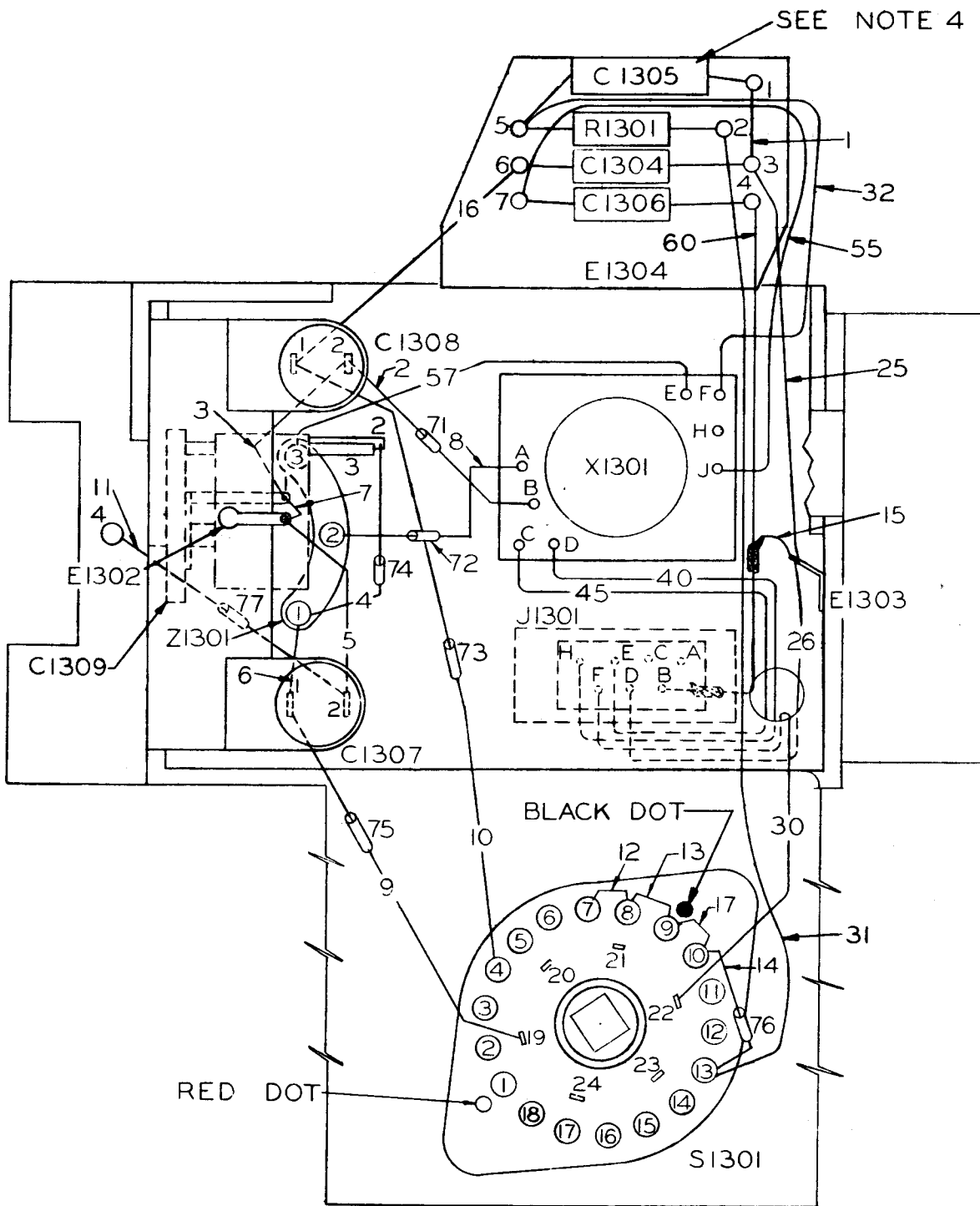
WIRE TABLE	
WIRE NO.	DESCRIPTION
1-16 INCL.	WIRE - TINNED COPPER .020 DIA.
25-26	BLACK
30-32 INCL.	RED
40	BROWN
45	BROWN-BLACK TR.
55	BLUE
57	ORANGE
60	WIRE - SHIELDED PURPLE
71-77 INCL.	SLEEVING .022 I.D.

NOTES.

1. NUMBERS IN WIRES REFER TO WIRE TABLE.
2. CRIMP & SOLDER ALL ELECTRICAL CONNECTIONS
- 4 CASE OF CAPACITOR CONNECTED TO GROUND.

Figure 7-32. Beat Frequency Oscillator, Connection Diagram

NAVSHIPS 91875(A)



NAVSHIPS 91875(A)

TE 4

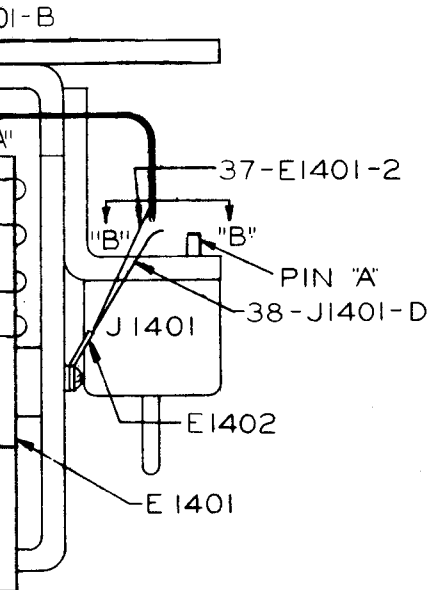
WIRE TABLE	
WIRE NO.	DESCRIPTION
1-17 INCL.	WIRE - TINNED COPPER .020 DIA.
25-26	↑ BLACK
30-32 INCL.	RED
40	BROWN
45	BROWN - BLACK TR.
55	↓ BLUE
57	ORANGE
60	WIRE - SHIELDED PURPLE
71-77 INCL.	SLEEVING .022 I.D.

NOTES

1. NUMBERS IN WIRES REFER TO WIRE TABLE.
2. CRIMP & SOLDER ALL ELECTRICAL CONNECTIONS
4. CASE OF CAPACITOR CONNECTED TO GROUND.
5. SYMBOL NUMBERS, ITEM NUMBERS & NUMBERS IN BALLOONS REFER TO LIST OF PARTS

Figure 7-32A. Beat Frequency Oscillator, Connection Diagram (AN/SRR-13A)

7-137A, 7-138A



WIRE TABLE	
WIRE NO.	DESCRIPTION
1-12 INCL.	WIRE TINNED COPPER .020 DIA.
16	↑ GREEN
26	↓ RED - YEL. TR.
31	↓ BRN. - GRN. TR.
35-39 INCL.	WIRE BLACK
43-50 INCL.	SLEEVING .022 I. D.
55	WIRE BRN. - YEL. TR.
60	↑ GRN. - BLK. TR.
65	↓ RED
70	↓ RED - BLK. TR.
76	WIRE BLUE

NOTES

2. CRIMP & SOLDER ALL ELECTRICAL CONNECTIONS
3. NUMBERS IN WIRES REFER TO WIRE TABLE.

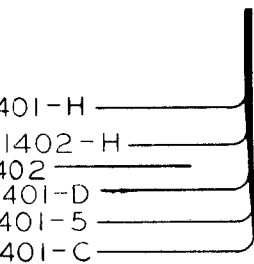
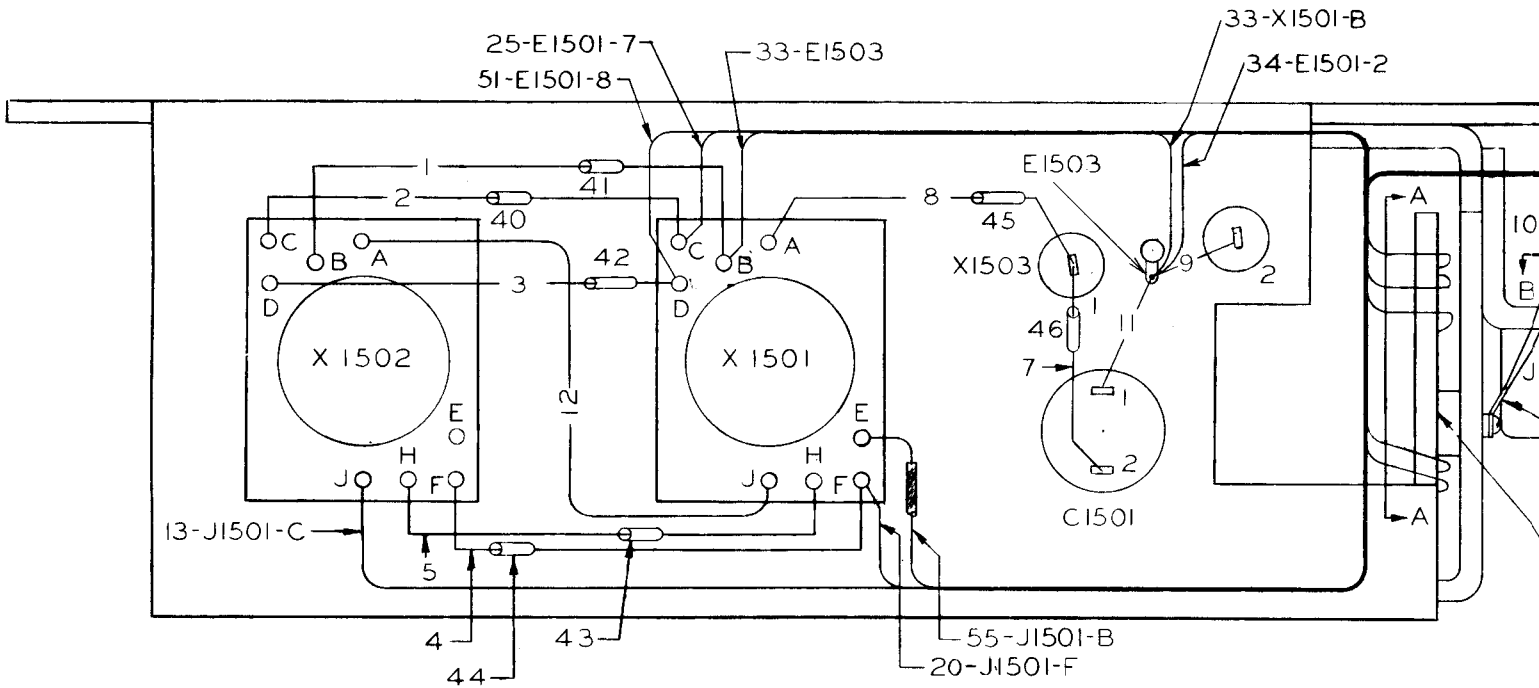
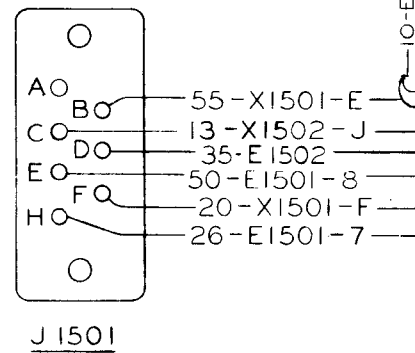
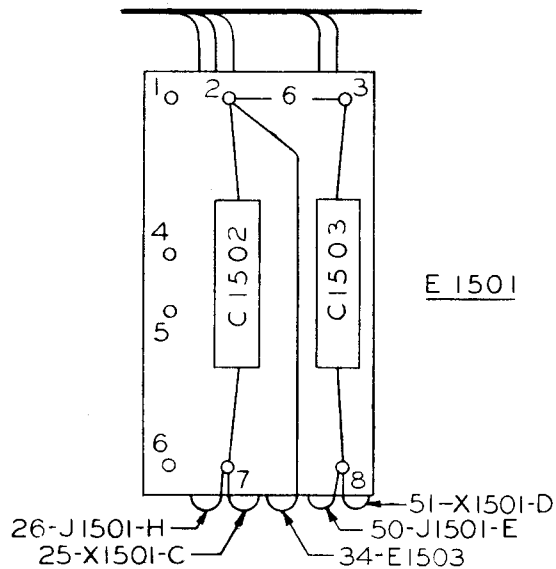


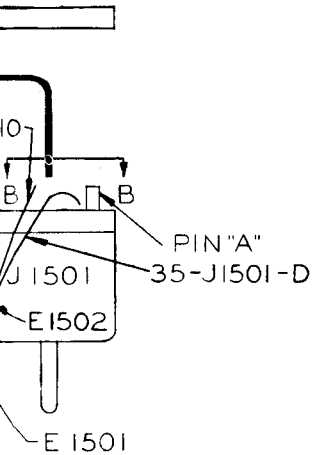
Figure 7-33. Crystal Calibrator, Connection Diagram, AN/SRR-11



VIEW AT A-A
ROTATED 90° C C W

VIEW AT B-B
ROTATED 180°





WIRE TABLE			
WIRE NO.	DESCRIPTION		ITEM NO.
1-11 INCL.	WIRE, TINNED COPPER .020 DIA.	PS 105	60
12-13 INCL.	↑ GREEN	A-8829122-16	61
20	RED-YEL. TR.	↑	62
25-26	↓ BRN.-GRN. TR.	↓	40
33-35 INCL.	WIRE, BLACK	A-8829122-16	41
40-46 INCL.	SLEEVING .022 I.D.	PS 753-B-1	63
50-51	WIRE, BRN.-YEL. TR.	A-8829122-16	42
55	WIRE, SHIELDED, GRN-BLK. TR.	A-8829132-16	43

NOTES

2. CRIMP & SOLDER ALL ELECTRICAL CONNECTIONS
3. NUMBERS IN WIRES REFER TO WIRE TABLE.
4. CABLE & LACE WIRES WHERE PRACTICAL

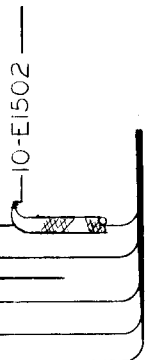
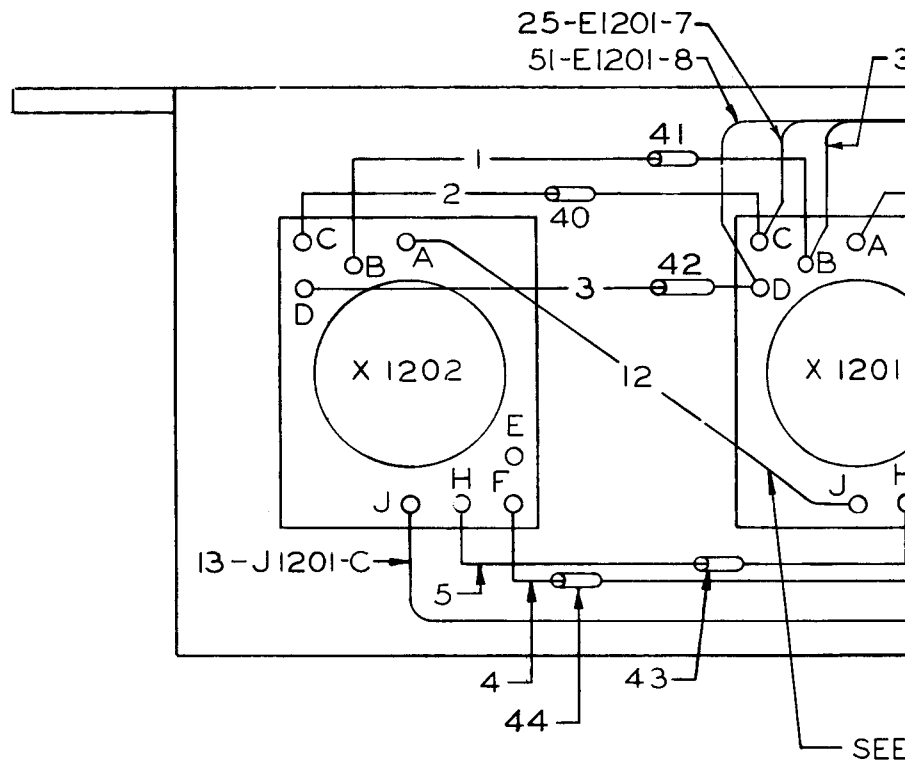
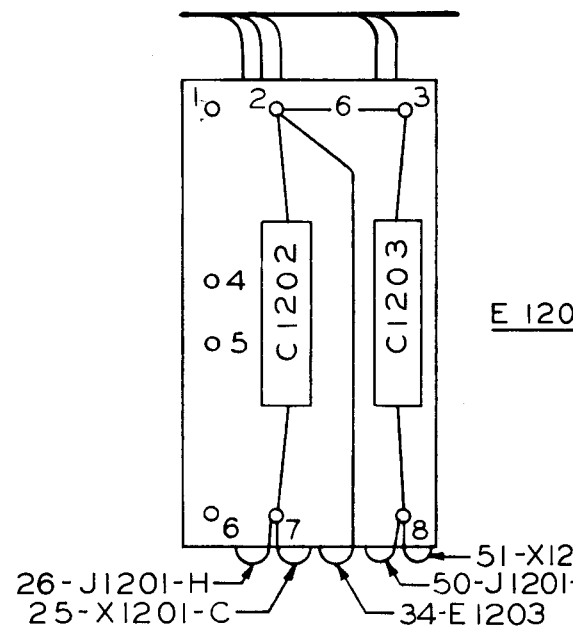
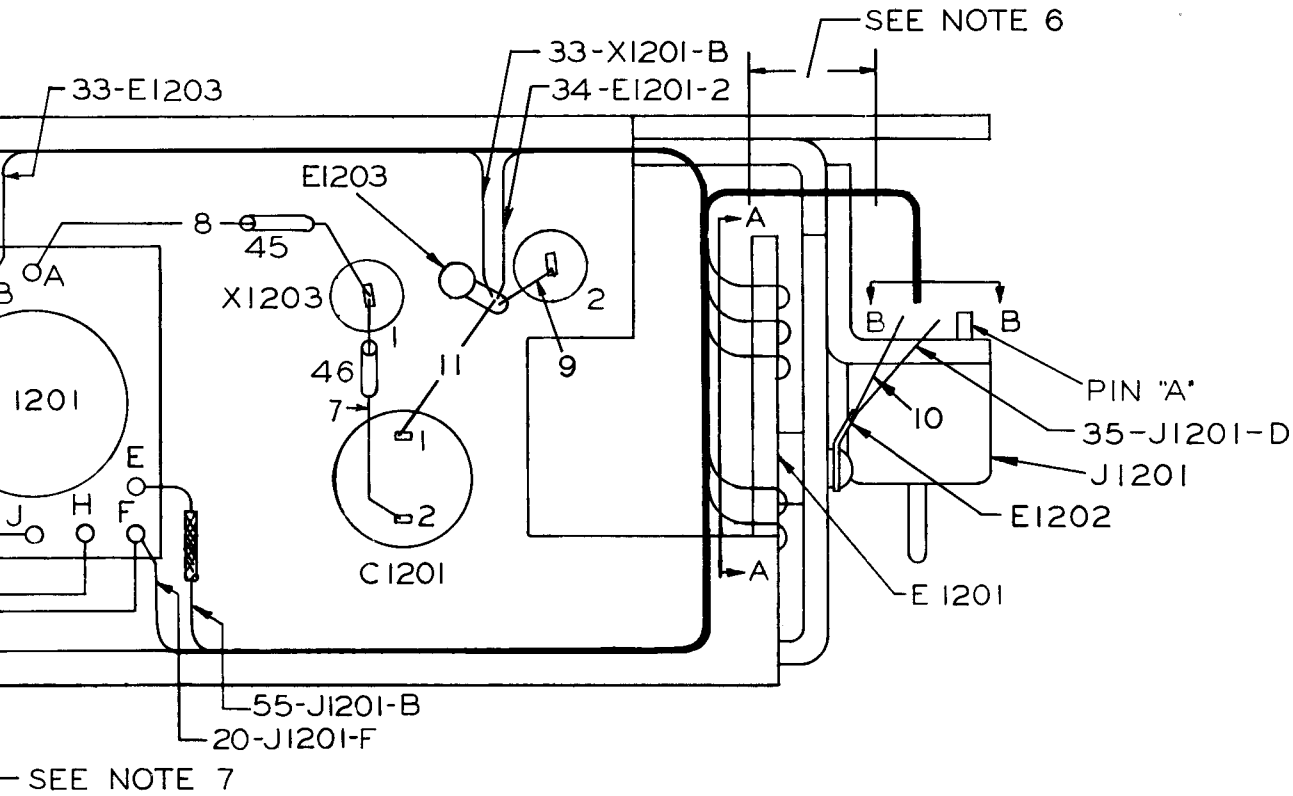


Figure 7-34. Crystal Calibrator, Connection Diagram, AN/SRR-12



VIEW AT A-A
ROTATED 90° CCW.

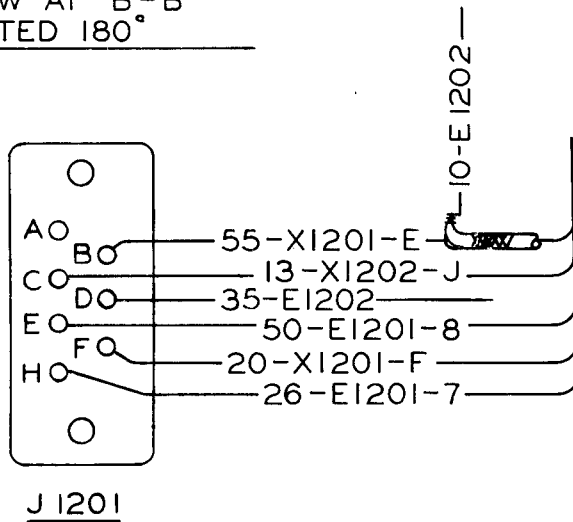




WIRE
1-11
12-13
20
25-26
33-35
40-46
50-5
55

①

VIEW AT B-B
ROTATED 180°



NOTES

- 2. CRIMP
- 3. NUMBER
- 4. CABL
- 6. TAPE
- 7. DRESS

E 1201

51-X1201-D
J1201-E
203

PIN "A"
-35-J1201-D
-J1201
202

WIRE TABLE	
WIRE NO.	DESCRIPTION
1-11 INCL.	WIRE, TINNED COPPER .020 DIA.
12-13 INCL.	GREEN
20	RED-YEL. TR.
25-26	BRN.-GRN. TR.
33-35 INCL.	WIRE BLACK
40-46 INCL.	SLEEVING .022 I.D.
50-51	WIRE, BRN.-YEL. TR.
55	WIRE, SHIELDED, GRN.-BLK. TR.

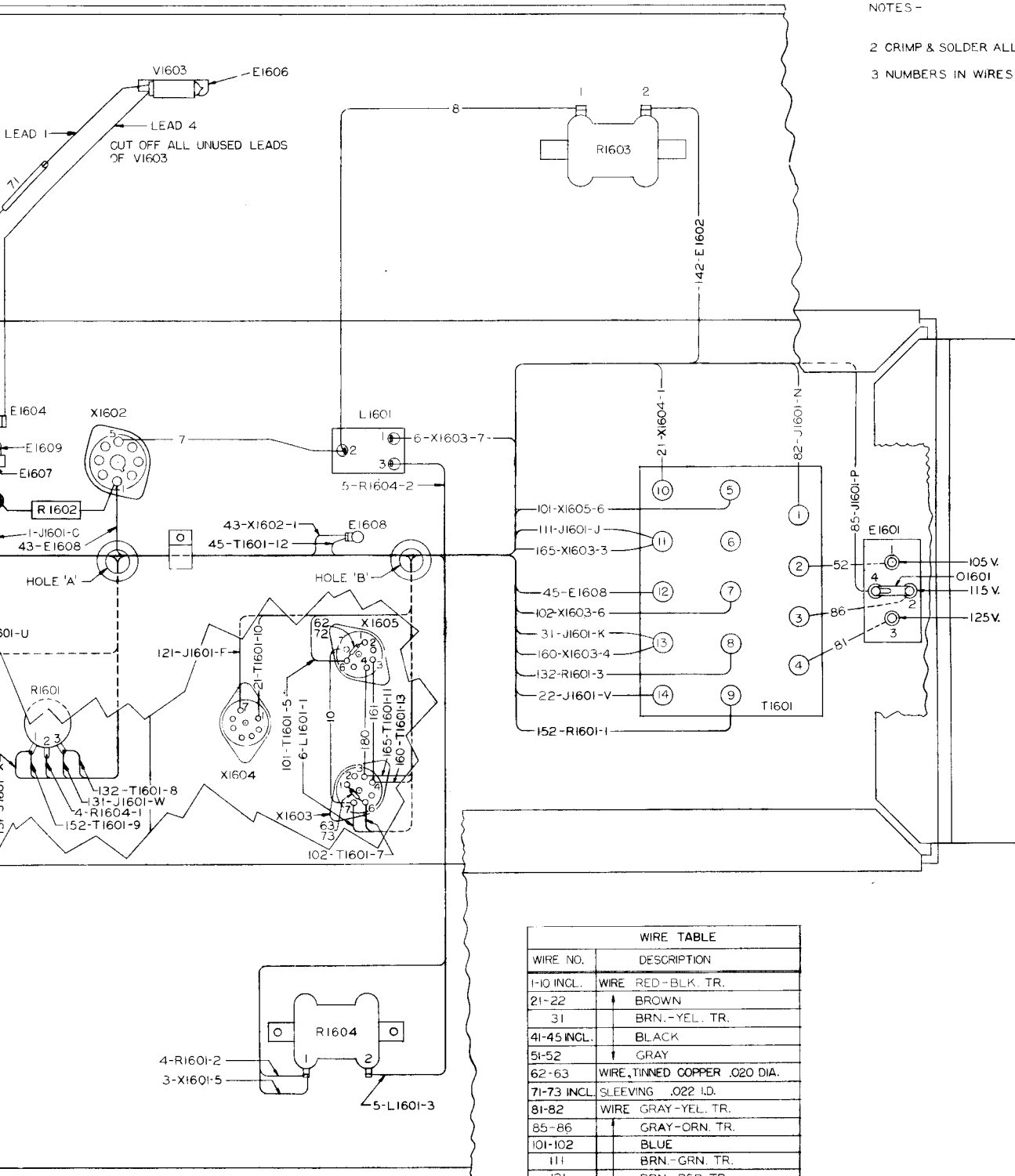
NOTES

2. CRIMP & SOLDER ALL ELECTRICAL CONNECTIONS
3. NUMBERS IN WIRES REFER TO WIRE TABLE.
4. CABLE & LACE WIRES WHERE PRACTICAL
6. TAPE CABLE WHERE INDICATED USING ITEM 65.
7. DRESS WIRE 12 IN DIRECT LINE BETWEEN TERMINALS A & J.

Figure 7-35. Crystal Calibrator, Connection Diagram, AN/SRR-13

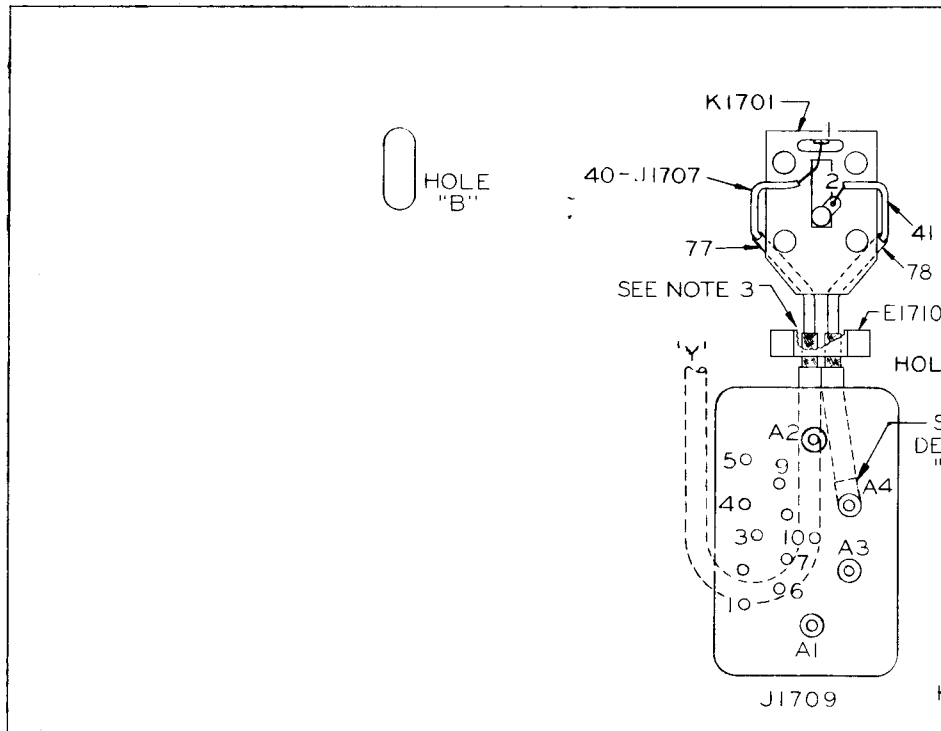
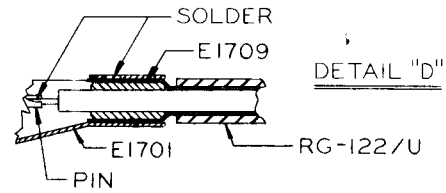
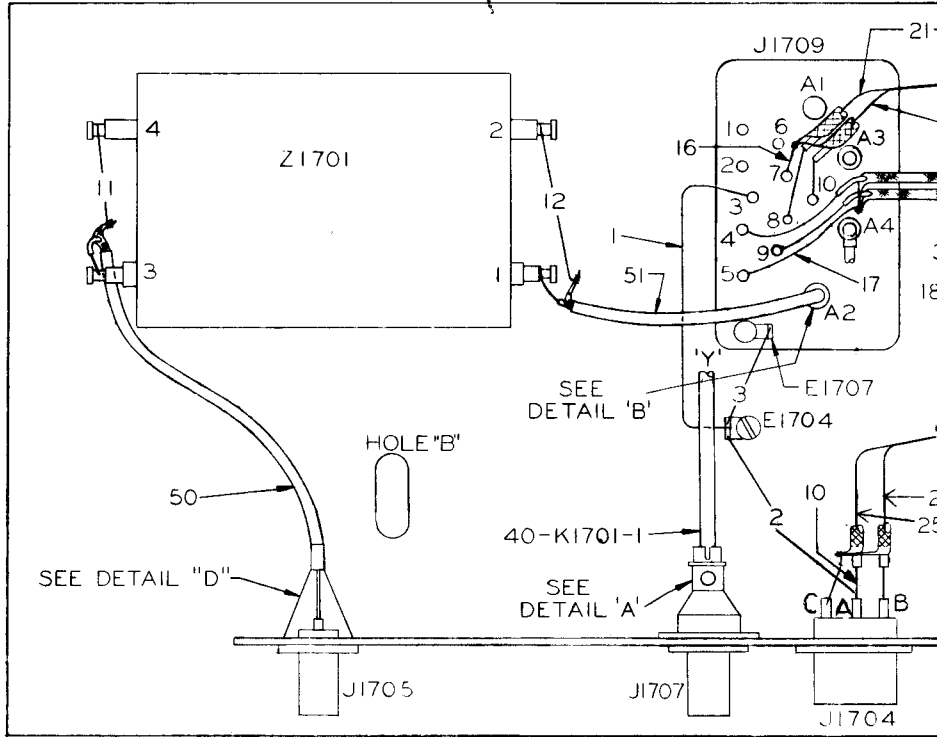
NOTES -

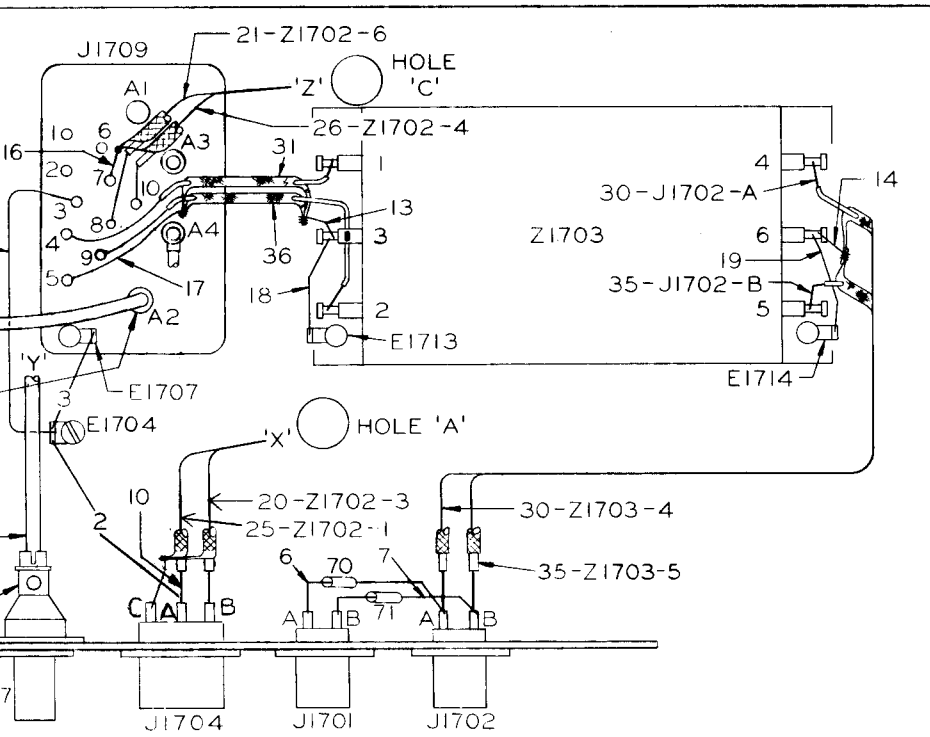
- 2 CRIMP & SOLDER ALL ELECTRICAL CONNECTIONS
- 3 NUMBERS IN WIRES REFER TO WIRE TABLE.



WIRE TABLE	
WIRE NO.	DESCRIPTION
1-10 INCL.	WIRE RED-BLK. TR.
21-22	↑ BROWN
31	BRN.-YEL. TR.
41-45 INCL.	BLACK
51-52	↑ GRAY
62-63	WIRE, TINNED COPPER .020 DIA.
71-73 INCL.	SLEEVING .022 I.D.
81-82	WIRE GRAY-YEL. TR.
85-86	↑ GRAY-ORN. TR.
101-102	BLUE
111	BRN.-GRN. TR.
121	BRN.-RED TR.
131-132	BRN.-PURPLE TR.
141-143	RED-ORN. TR.
151-152	BRN.-BLUE TR.
155	GRAY-BRN. TR.
158	GRAY-BLK. TR.
160-161	BRN.-YEL. TR.
165	BRN.-GRN. TR.
170	↑ GRAY-RED TR.
180	WIRE TINNED COPPER .040 DIA.

Figure 7-36. Power Supply, Connection Diagram

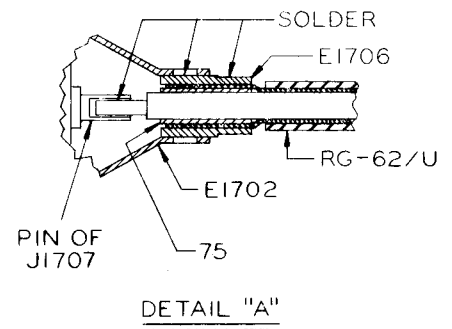
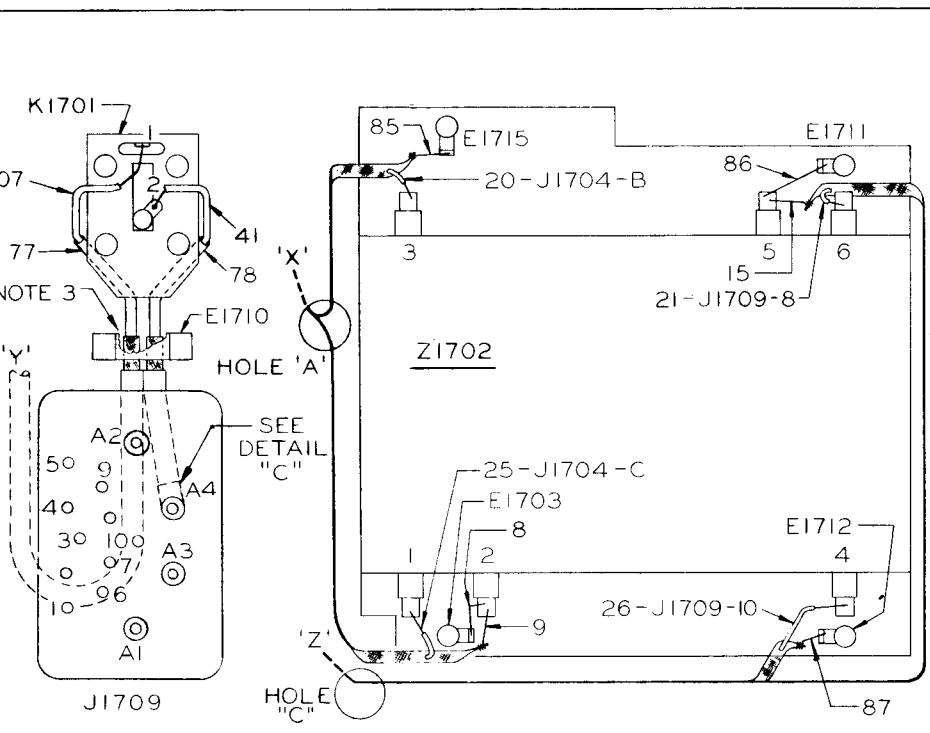


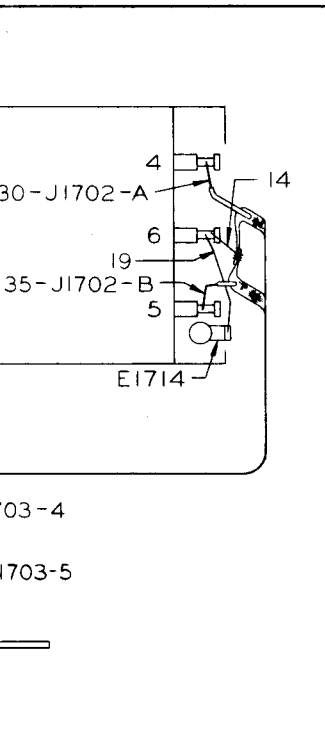


WIRE TABLE	
WIRE NO	DESCRIPTION
1-3 INCL.	WIRE BLACK
6-19 INCL.	TINNED COPPER .032 DIA.
20-21	SHIELDED GRAY
25-26	SHIELDED GRAY-BLACK
30-31	SHIELDED WHITE-BLACK
35-36	WIRE SHIELDED WHITE-BROWN
40-41	CABLE COAX
50-51	CABLE COAX
70-71	SLEEVING .034 I.D.
75-78 INCL.	SLEEVING .148 I.D.
85-87 INCL.	WIRE TINNED COPPER .032 DIA.

NOTES:

1. CRIMP & SOLDER ALL ELECTRICAL CONNECTIONS.
2. NUMBERS IN WIRES REFER TO THE TERMINAL NUMBER OF THE WIRE. NUMBERS IN PARENTHESES INDICATE THE END OF WIRES. THUS: 21-J1709-8, 8 = TERMINAL 8 OF J1709.





WIRE TABLE	
WIRE NO	DESCRIPTION
1-3 INCL.	WIRE BLACK
6-19 INCL.	TINNED COPPER .032 DIA.
20-21	SHIELDED GRAY
25-26	SHIELDED GRAY-BLACK TR.
30-31	SHIELDED WHITE-BLACK TR.
35-36	WIRE SHIELDED WHITE-BROWN TR.
40-41	CABLE COAX
50-51	CABLE COAX
70-71	SLEEVING .034 I.D.
75-78 INCL.	SLEEVING .148 I.D.
85-87 INCL.	WIRE TINNED COPPER .032 DIA.

NOTES:

1. CRIMP & SOLDER ALL ELECTRICAL CONNECTIONS
2. NUMBERS IN WIRES REFER TO WIRE TABLE. CODING AT THE ENDS OF WIRES INDICATE WIRE NUMBERS AND DESTINATION OF WIRES. THUS: 21-J1709-8 , 21 = WIRE NO., J1709 = CONNECTOR J1709, 8 = TERMINAL 8 OF J1709 AS INDICATED ON THIS DRAWING.

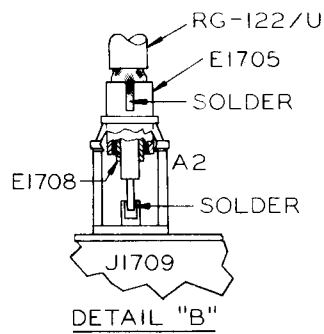
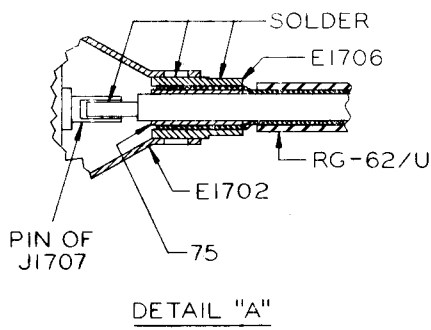
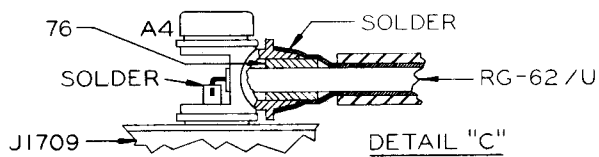
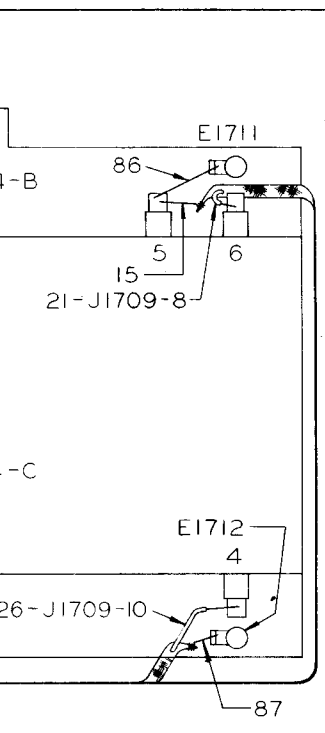
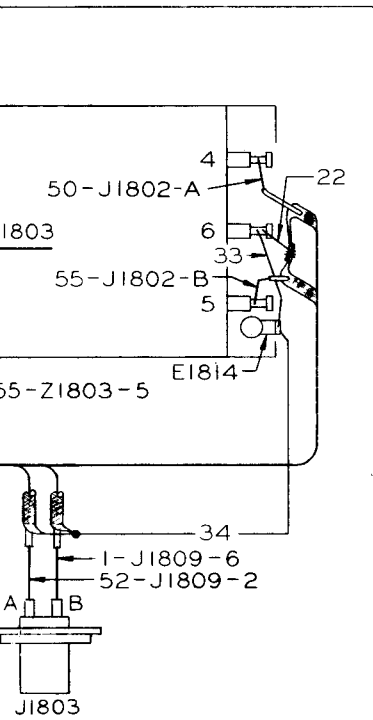


Figure 7-37. Filter Assembly, Connection Diagram, AN/SRR-11



WIRE TABLE	
WIRE NO.	DESCRIPTION
1	WIRE SHIELDED WHITE-RED TR.
6-7	BLACK
19-38 INCL.	TINNED COPPER .032 DIA.
40-41	SHIELDED-GRAY
45-46	GRAY-BLACK TR.
50-52 INCL.	WHITE-BLACK TR.
55-56	WIRE SHIELDED WHITE-BROWN TR.
60-61	CABLE COAX.
70-73 INCL.	CABLE COAX.
100-101	SLEEVING .034 I.D.
105-108 INCL.	SLEEVING .148 I.D.
112-113	SLEEVING .076 I.D.

NOTES:

1. CRIMP & SOLDER ALL ELECTRICAL CONNECTIONS

2. NUMBERS IN WIRES REFER TO WIRE TABLE. CODING AT ENDS OF WIRES INDICATE WIRE NUMBERS AND DESTINATION OF WIRES THUS: 70-Z1804-1, 70=WIRE NO., Z1804=FILTER Z1804, 1= TERMINAL 1 OF Z1804 AS INDICATED ON THIS DRAWING.

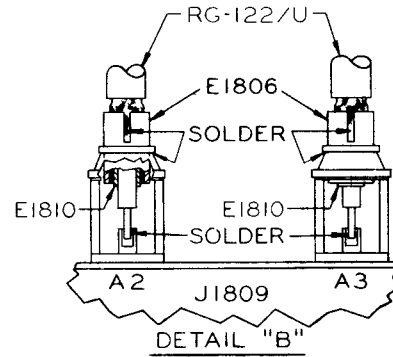
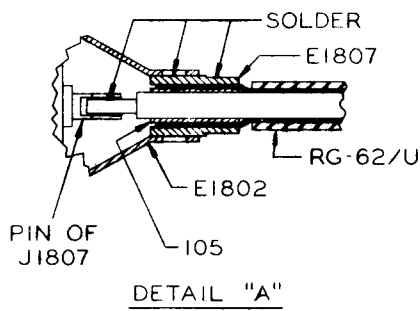
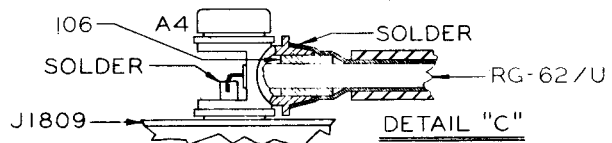
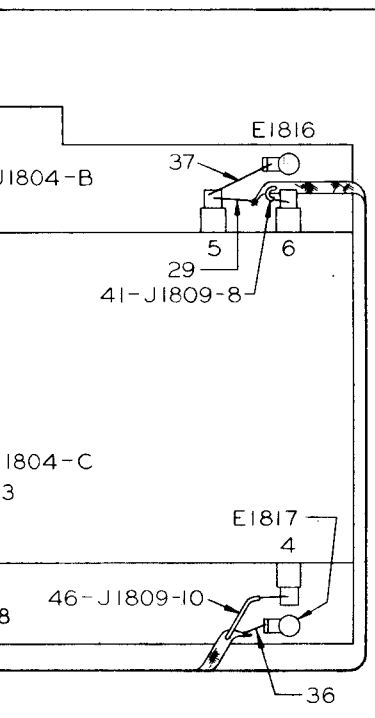
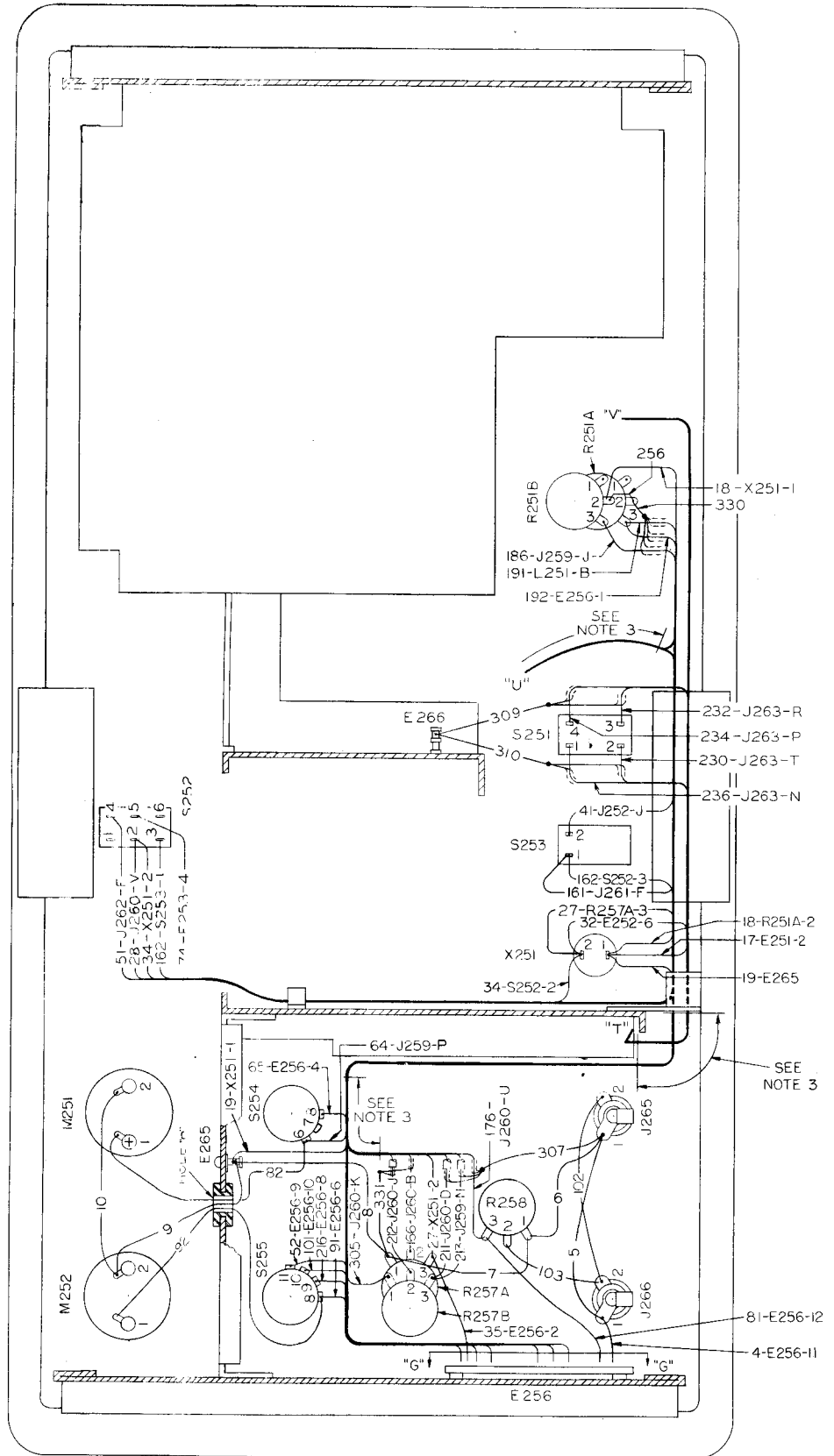
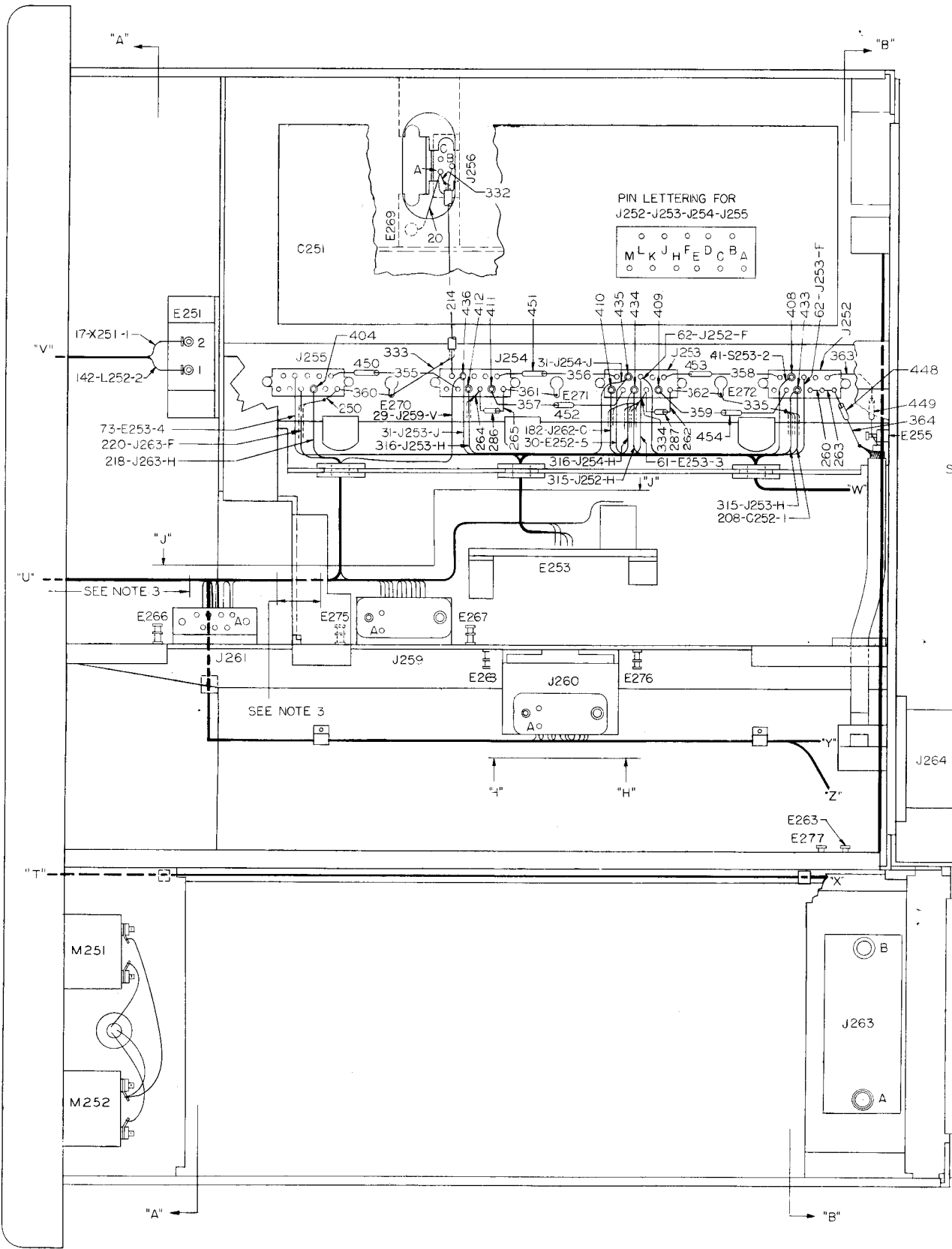


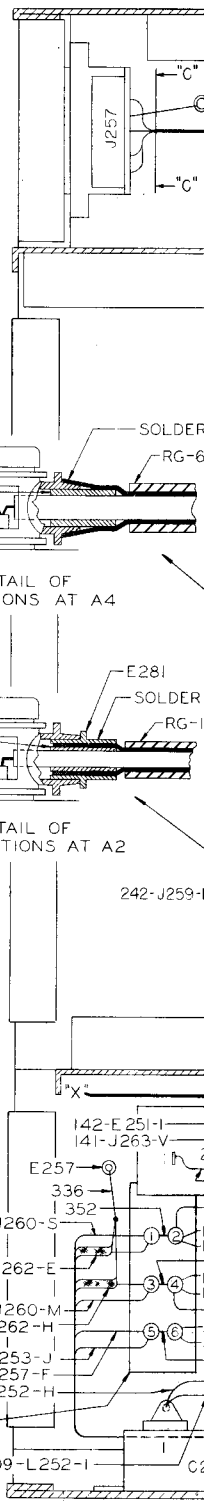
Figure 7-38. Filter Assembly, Connection Diagram, AN/SRR-12 and -13



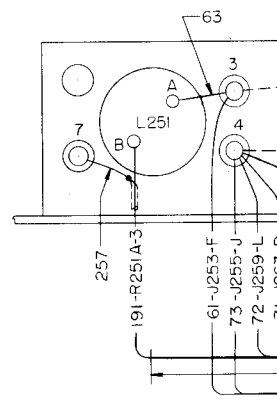
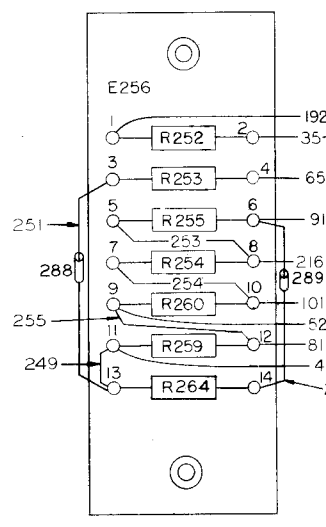
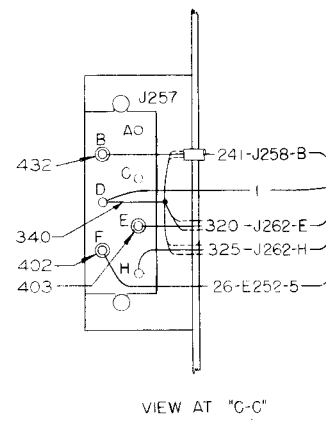
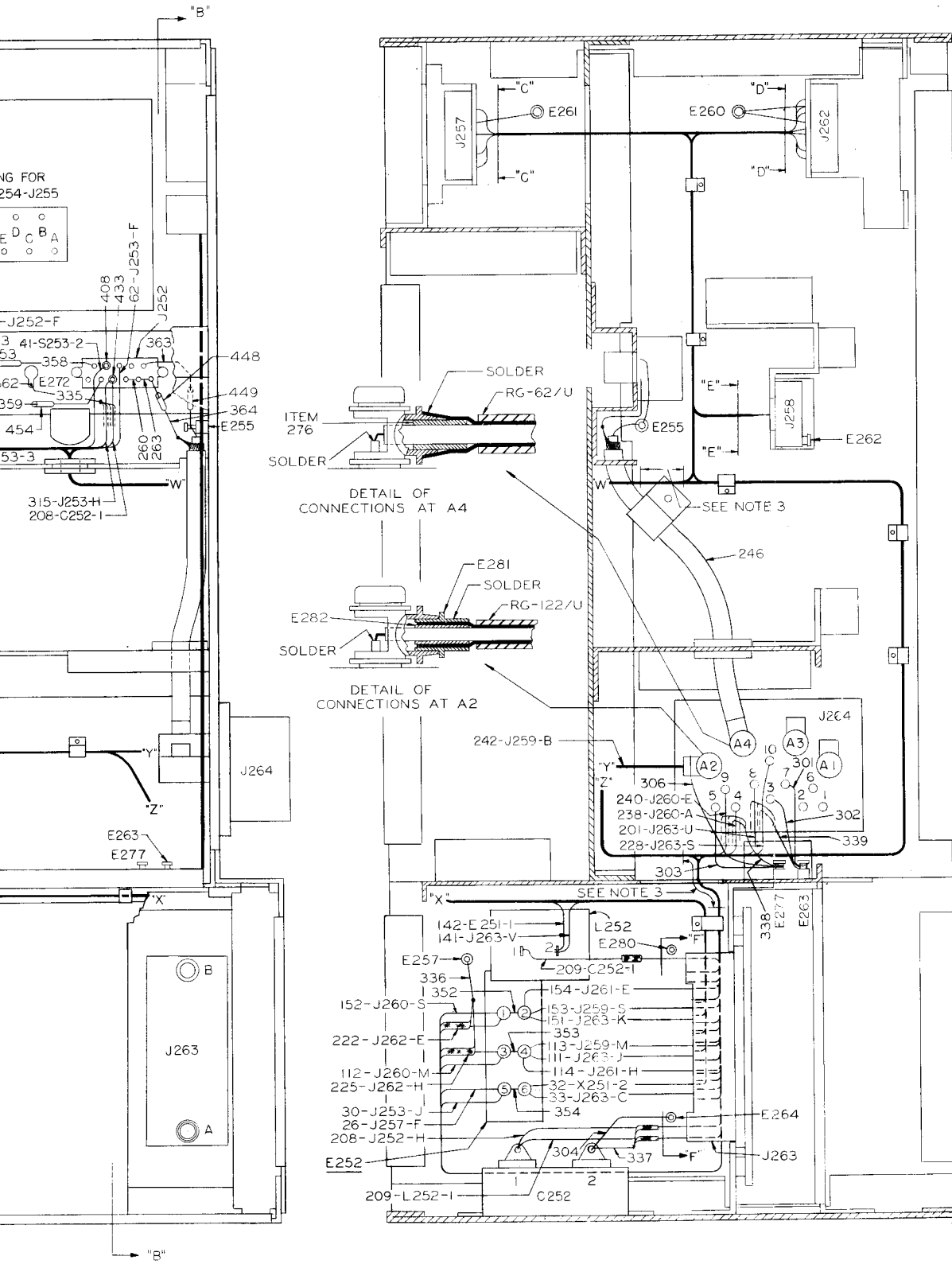
SECTION ON "A-A"



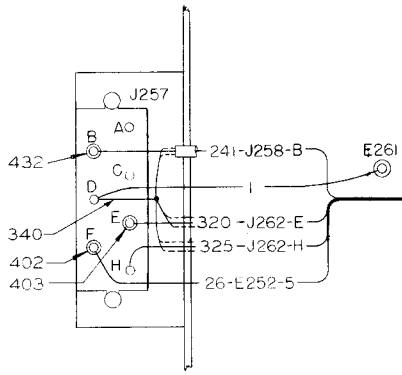
TOP VIEW



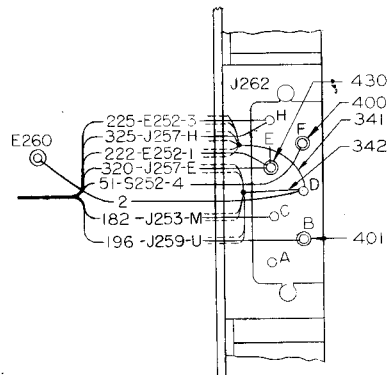
SECTION



RESTRICTED
NAVSHIPS 91875(A)

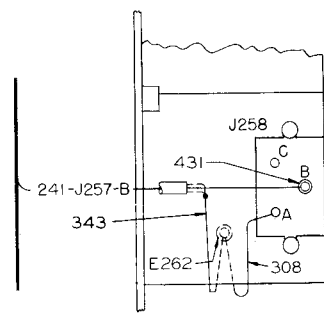


VIEW AT "C-C"

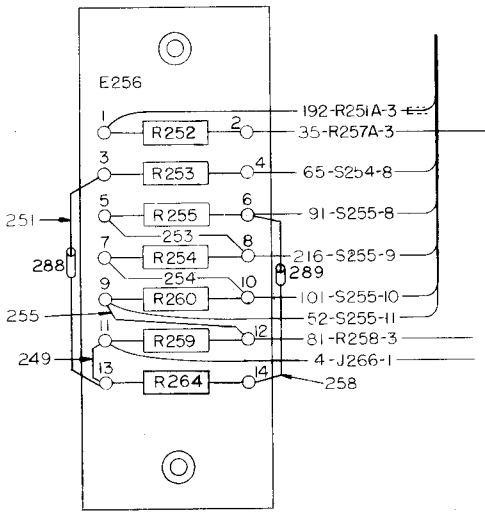


VIEW AT "D-D"

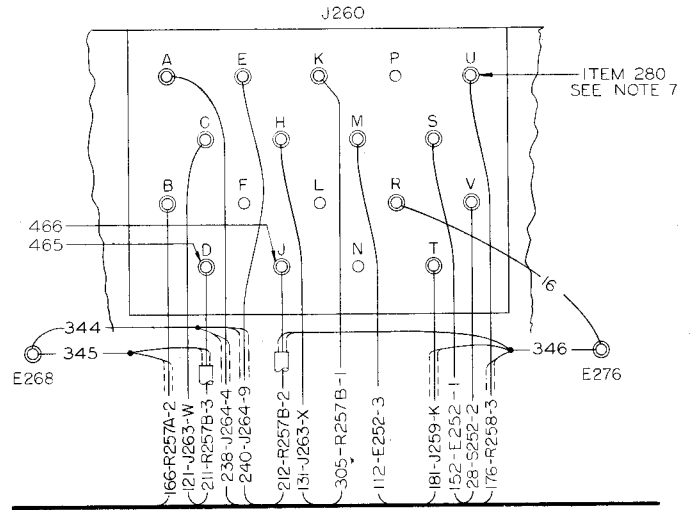
RESTRICTED
NAVSHIPS 91875(A)



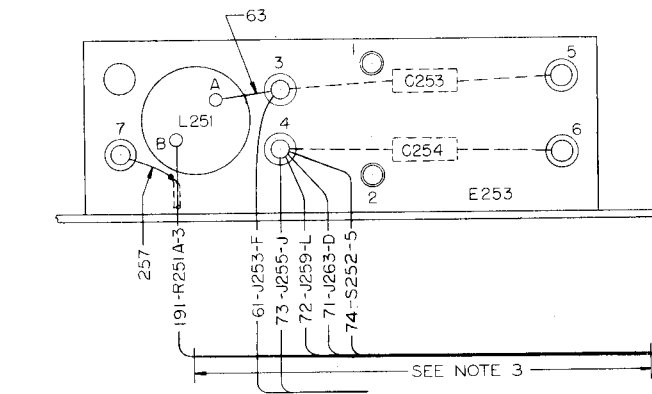
VIEW AT "E-E"



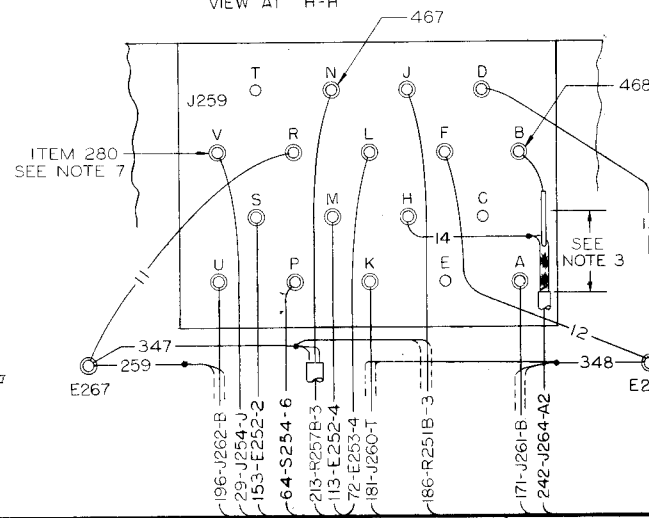
VIEW AT "G-G"



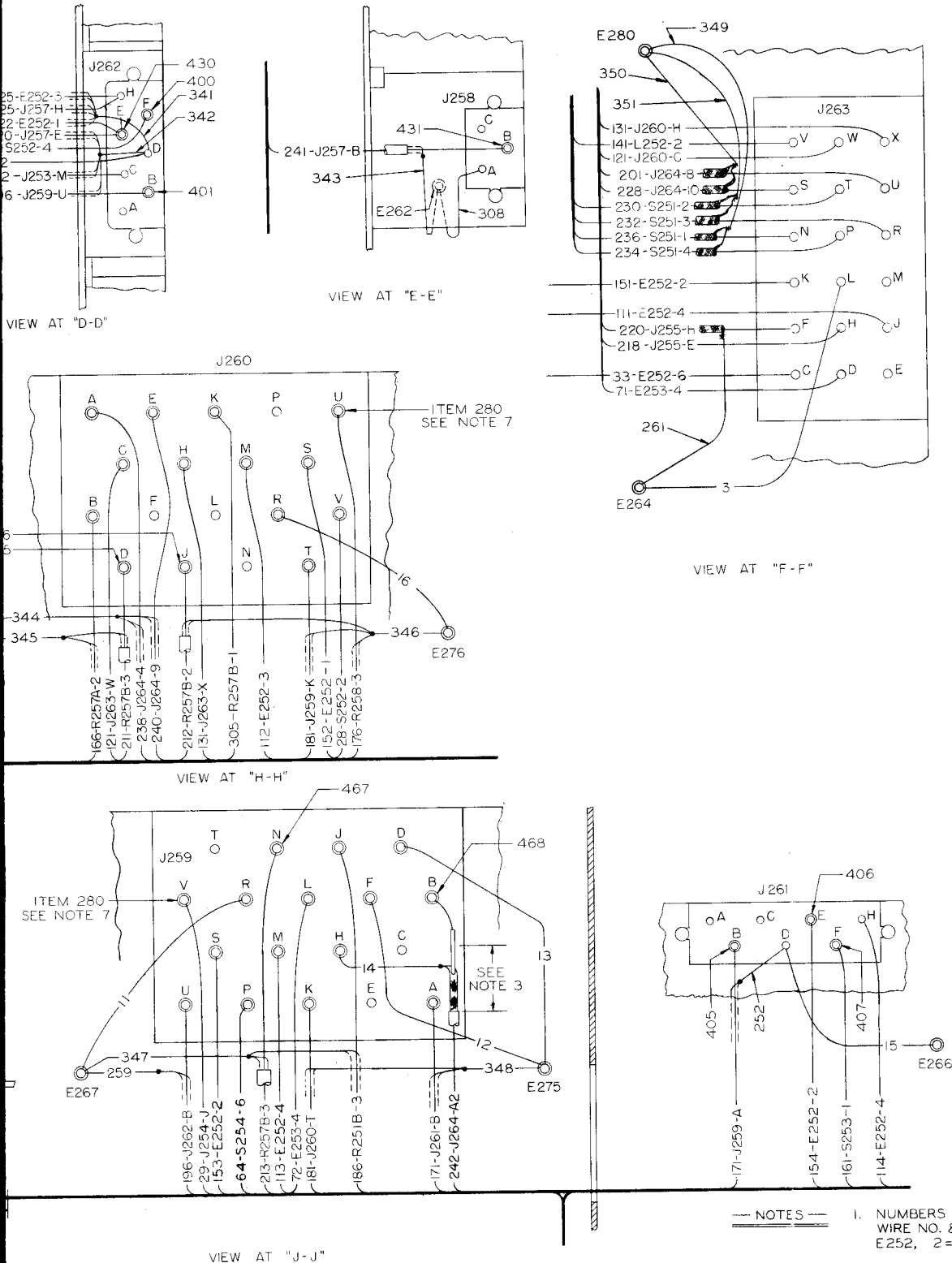
VIEW AT "H-H"



SEE NOTE 3



VIEW AT "J-J"

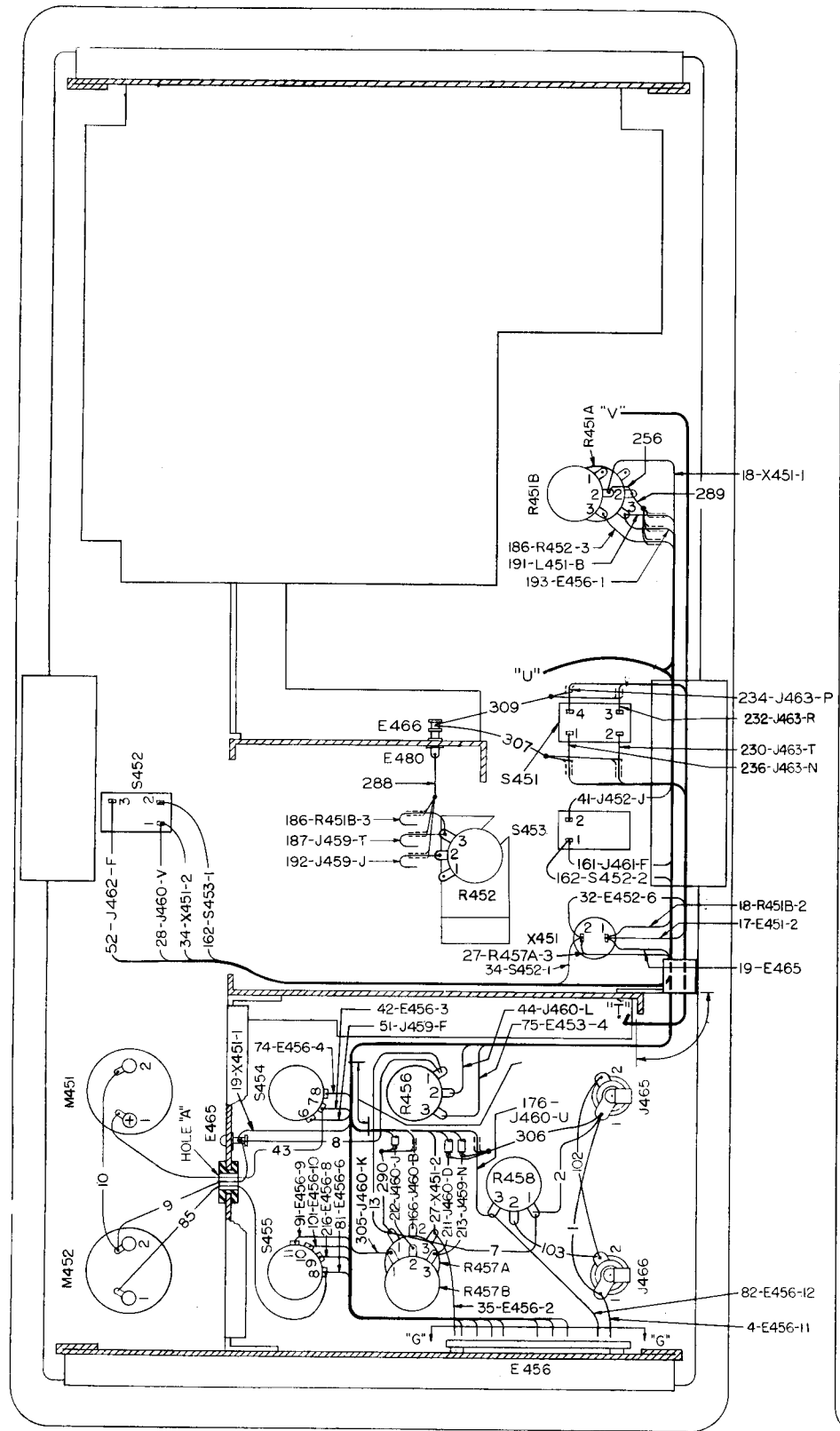


WIRE TABLE	
WIRE NO.	DESCRIPTION
1 TO 20, 301 TO 310	WIRE, BLK.
26 TO 35	RED
41	RED-BLK. TR.
51-52	RED-YEL. TR.
61 TO 65	YEL.
71 TO 74	RED-ORN. TR.
81-82	YEL-BLK. TR.
91-92	WHT.
101 TO 103	BLUE
111 TO 114	BRN-GRN. TR.
121	BRN-PUR. TR.
131	-BRN-BLUE TR.
141-142	-BRN.
151 TO 154	-BRN-YEL. TR.
161-162	RED-BRN. TR.
166	SHIELDED, RED-BLK. T
171	PURPLE
176	WHT-RED. T
181-182	GRN.
186	YEL-BRN. T
191-192	YEL.
196	GRN-BLK. T
201	GRAY
208 - 209	WIRE, SHIELDED, BRN.
211 TO 214	CABLE, COAXIAL
216	WIRE, WHT-BLK. TR.
218	BRN-RED T
220	SHIELDED, -ORN.
222	-YEL.
225	BRN-GRN.
228	GRAY-BLK.
230	-BRN.
232	-RED.
234	-ORN.
236	GRAY-YEL.
238	WHT-BLK.
240	WIRE, SHIELDED, WHT-BRN.
241-242	CABLE, COAXIAL
246	CABLE, COAXIAL
249 TO 265	WIRE, TINNED COPPER .020
286 TO 289	SLEEVING .022 I.D.
315-316	WIRE SHIELDED, BRN.
320	SHIELDED, BRN-Y
325	SHIELDED, BRN-G
330 TO 364	WIRE, TINNED COPPER .03
400 TO 412	SLEEVING .095 I.D.
430 TO 436	SLEEVING .133 I.D.
448 TO 454	SLEEVING .034 I.D.
465 TO 468	SLEEVING .106 I.D.

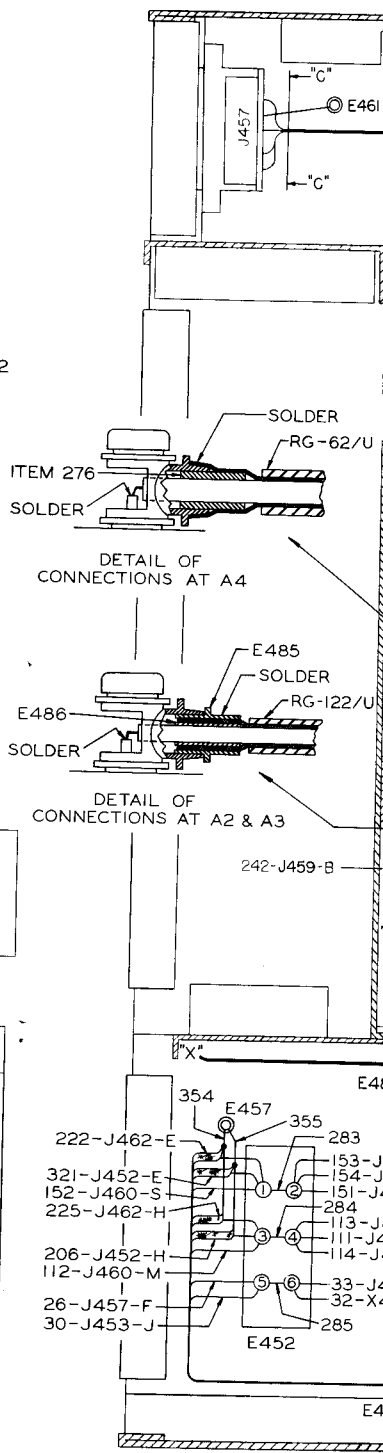
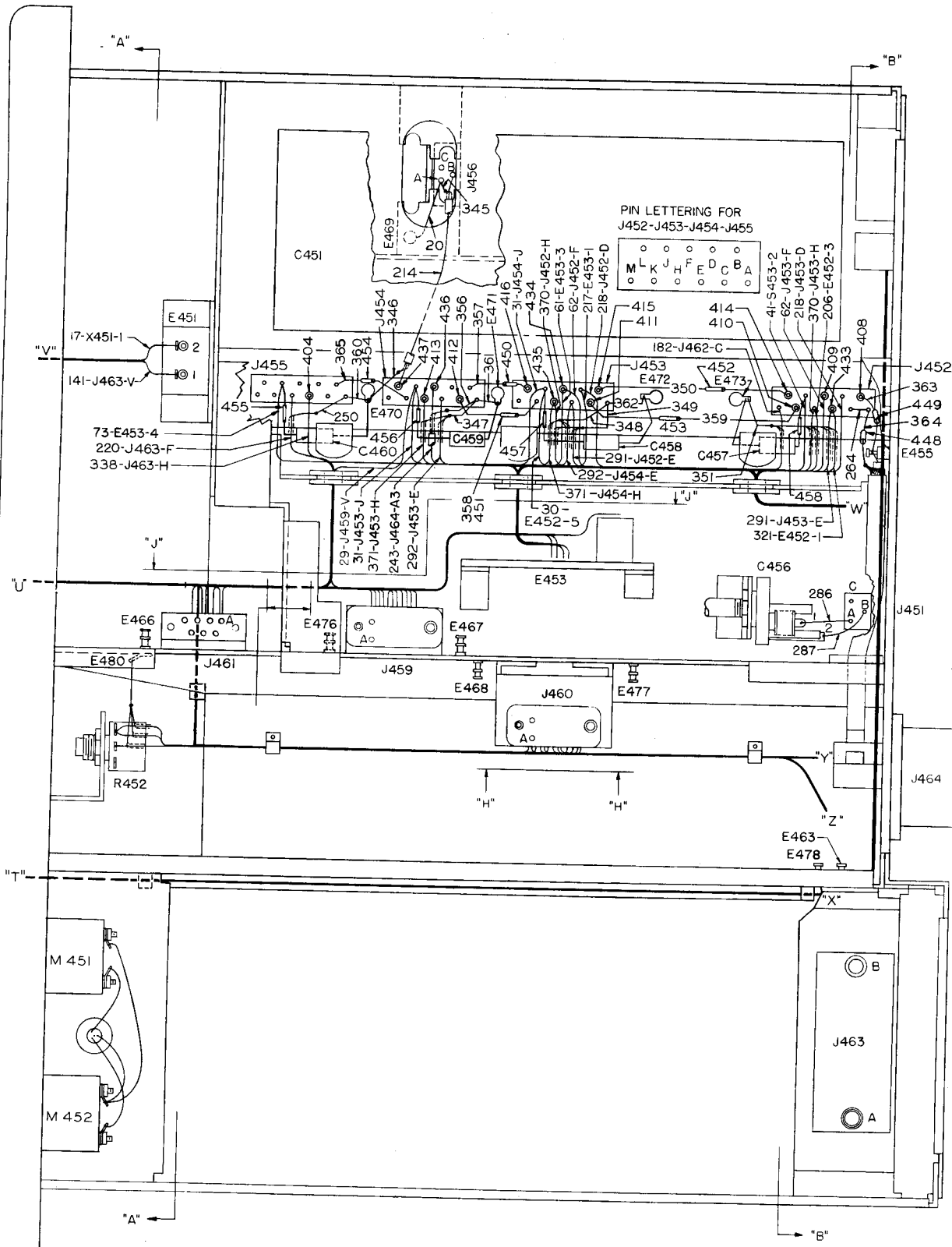
NOTES

- NUMBERS IN WIRES REFER TO WIRE TABLE. CODING AT END OF WIRE NO. & DESTINATION OF WIRE THUS; 151-E252-2, 151-E252, 2= TERMINAL 2 OF E252 AS INDICATED ON THIS DRAWING.
- TAPE CABLE WHERE INDICATED
- CABLE & LACE WIRES AS INDICATED
- CRIMP & SOLDER ALL ELECTRICAL CONNECTIONS
- WITH EXCEPTIONS AS INDICATED, ASSEMBLE ITEM 280 SUB OF WIRES & TERMINALS AT J259 & J260.

Figure 7-39. Main Frame, Conn AN/SRR-11

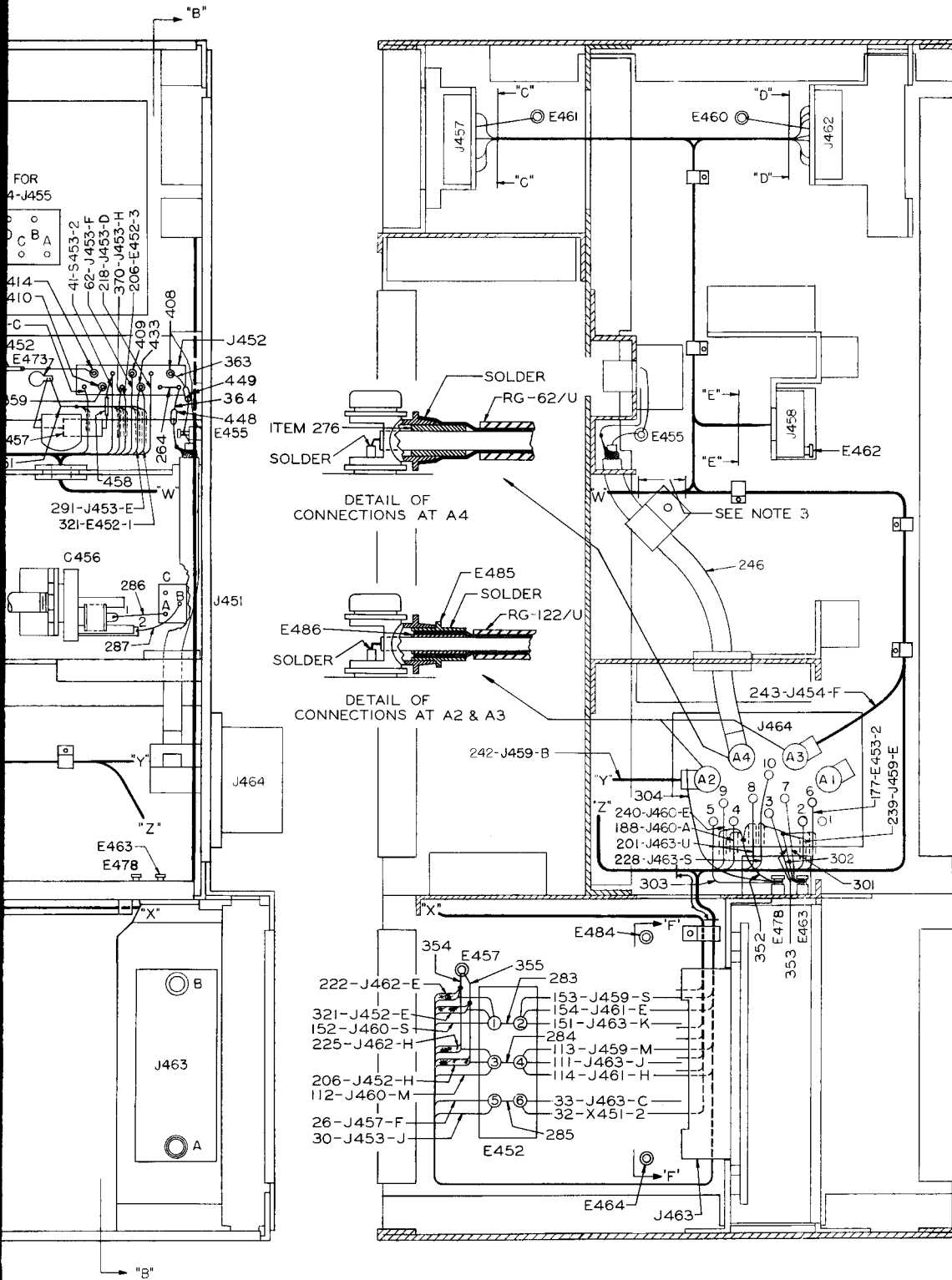


SECTION ON "A-A"

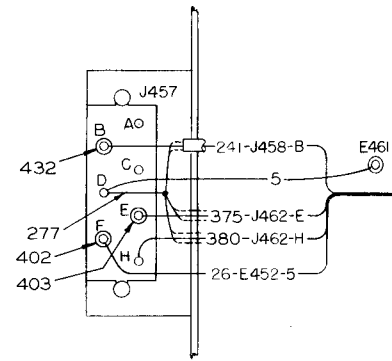


TOP VIEW

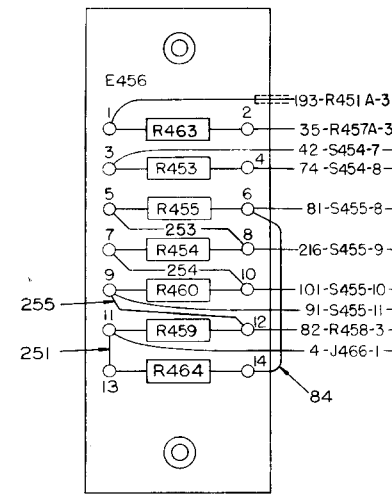
SECTION ON



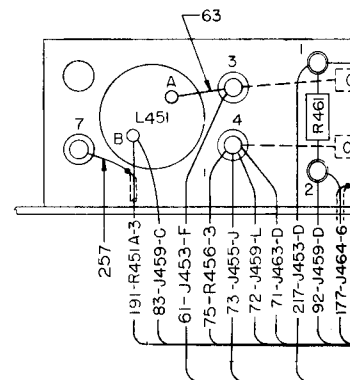
SECTION ON "B-B"

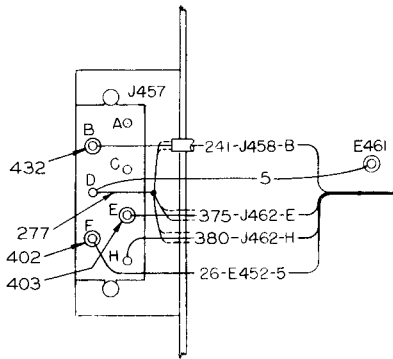


VIEW AT "C-C"

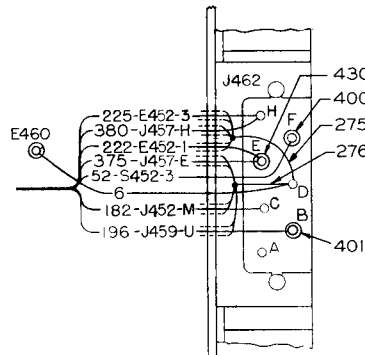


VIEW AT "G-G"

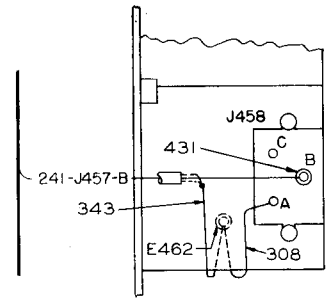




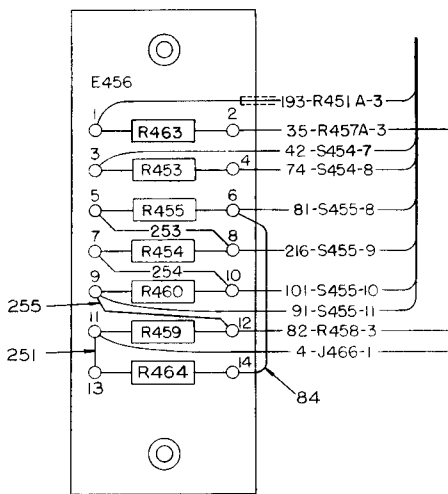
VIEW AT "C-C"



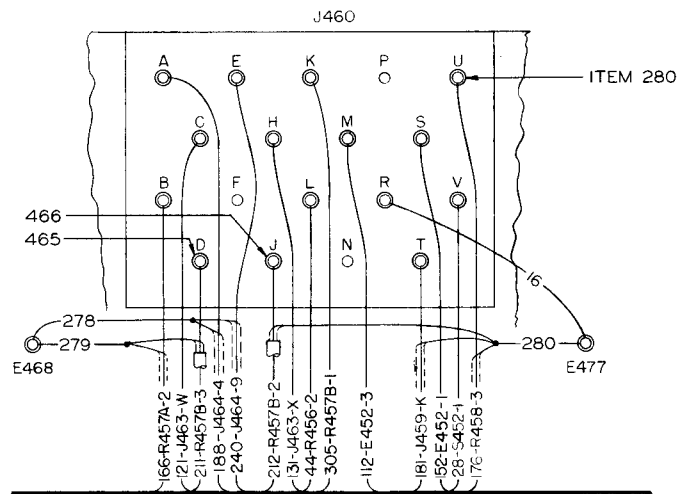
VIEW AT "D-D"



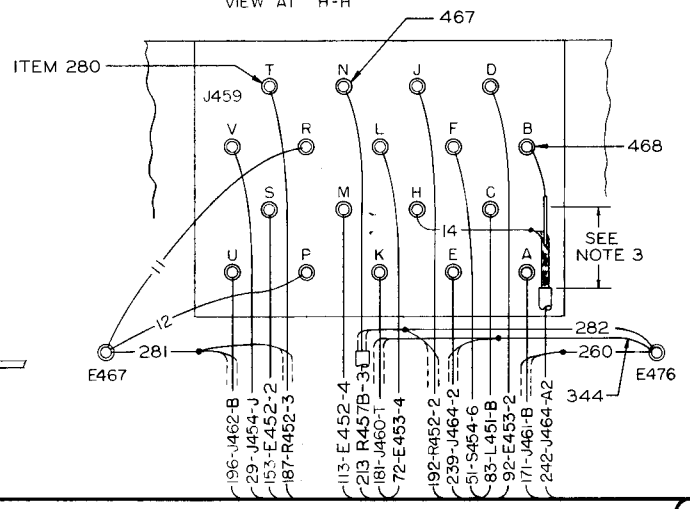
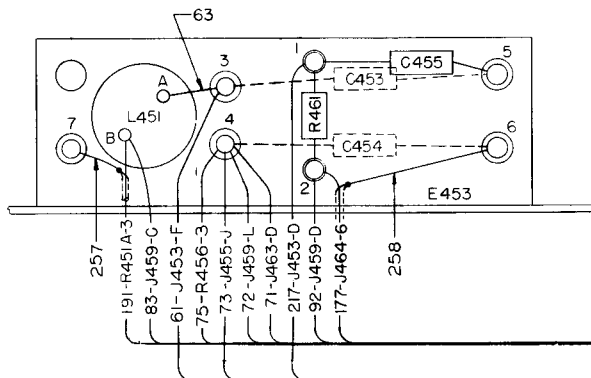
VIEW AT "E-E"



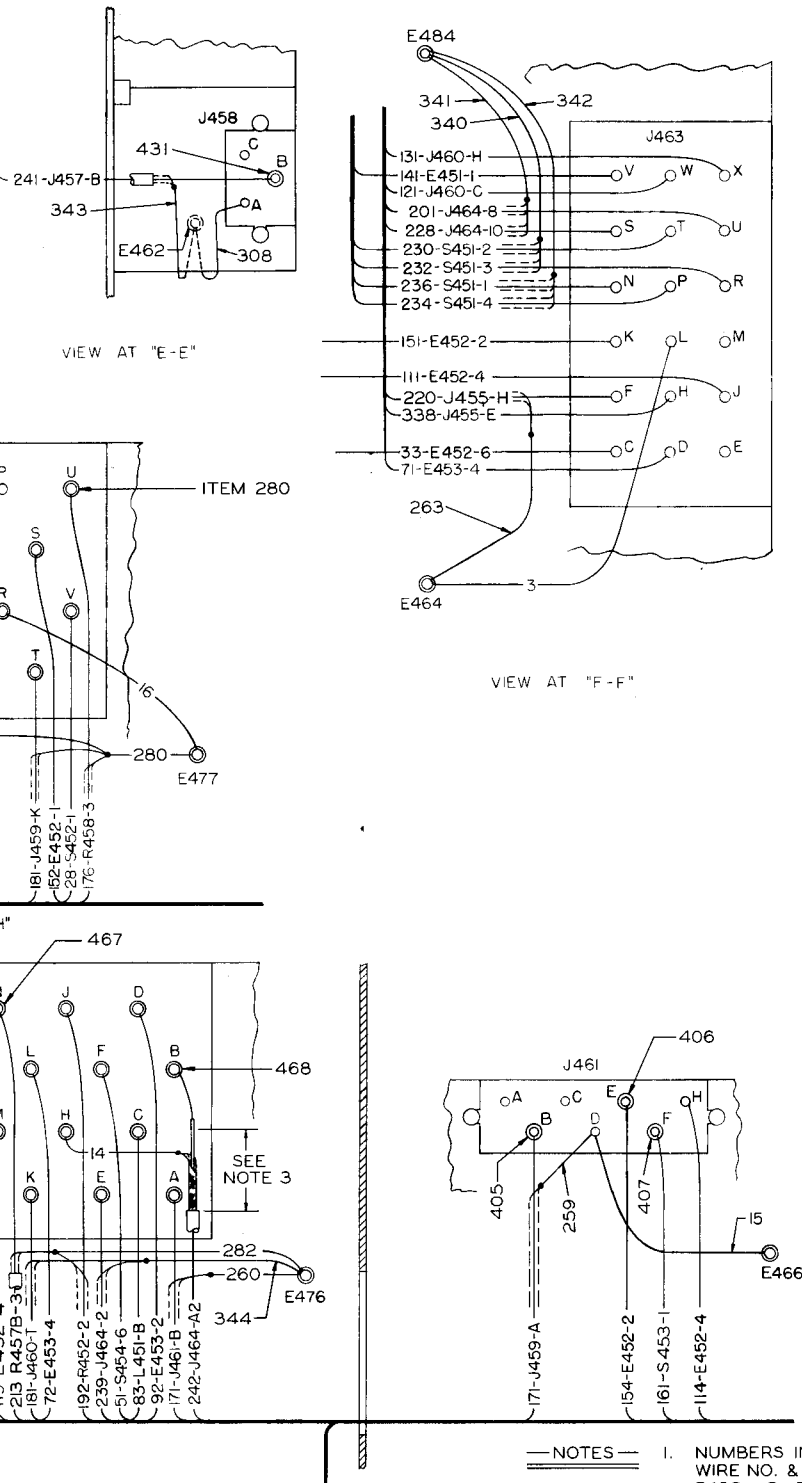
VIEW AT "G-G"



VIEW AT "H-H"



VIEW AT "J-J"



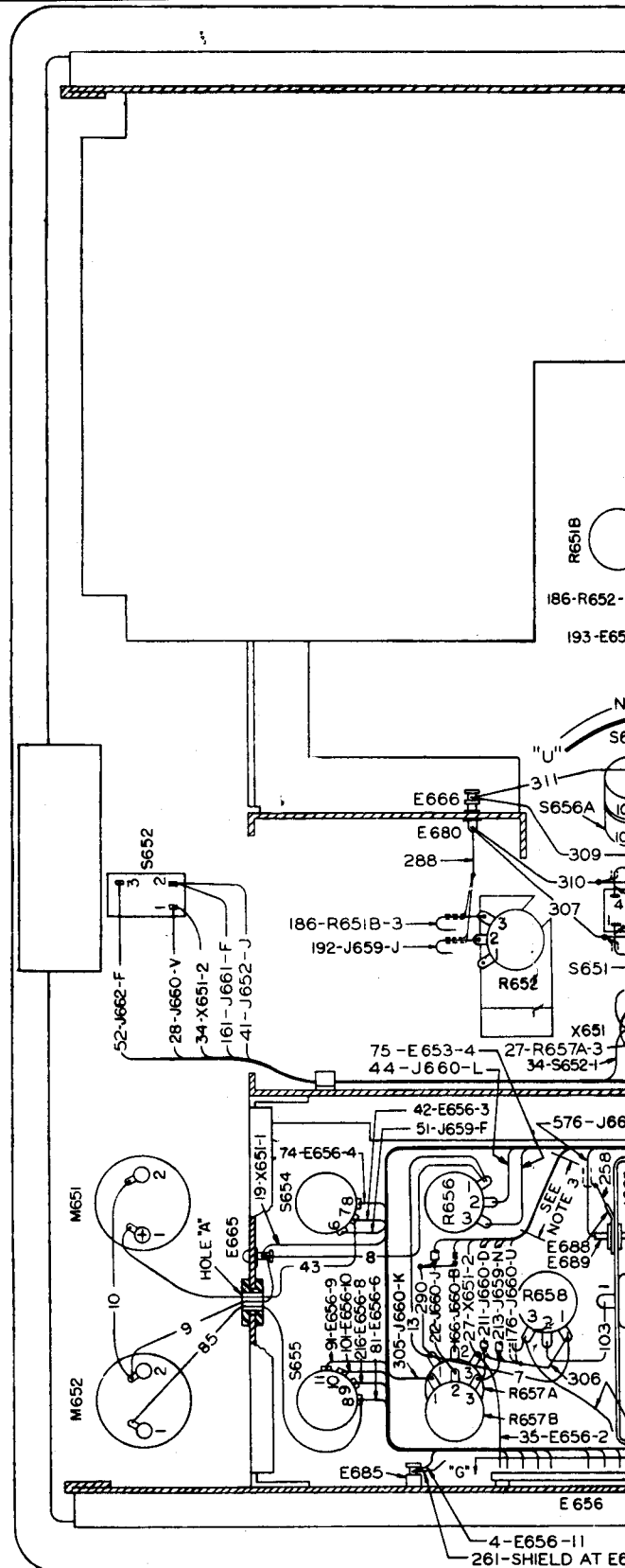
NOTES 1. NUMBERS IN WIRES REFER TO WIRE TABLE. CODING AT ENDS OF WIRES INDICATE WIRE NO. & DESTINATION OF WIRE THUS: 151-E452-2, 151=WIRE NO., E452=ITEM E452, 2=TERMINAL 2 OF E452 AS INDICATED ON THIS DRAWING.

6. CRIMP & SOLDER ALL ELECTRICAL CONNECTIONS

WIRE TABLE		
WIRE NO.	DESCRIPTION	
1 TO 20,301 TO 309	WIRE, -BLK.	A-8829122-16
26 TO 35	-RED	
41 TO 44	-RED-BLK. TR.	
51-52	-RED-YEL. TR.	
61 TO 63	-YEL.	
71 TO 75	-RED-ORN. TR.	
81 TO 85	-YEL-BLK. TR.	
91 TO 92	-WHT.	
101 TO 103	-BLUE	-16
111 TO 114	-BRN.-GRN. TR.	-18
121	-BRN.-PUR. TR.	-18
131	-BRN.-BLUE TR.	-18
141	-BRN.	-16
151 TO 154	-BRN.-YEL. TR.	-18
161-162	RED-BRN. TR.	A-8829122-16
166	SHIELDED, RED-BLK. TR.	A-8829132-16
171	PURPLE	
176-177	WHT-RED TR.	
181-182	GRN.	
186 TO 188	YEL-BRN. TR.	
191 TO 193	YEL.	
196	GRN-BLK. TR.	-16
201	GRAY	-18
206	WIRE, SHIELDED, BRN.	A-8829132-18
211 TO 214	CABLE, COAXIAL	PS 744-122
216 TO 218	WIRE, WHT-BLK. TR.	A-8829122-16
220	SHIELDED BRN-ORN. TR.	A-8829132-16
222	BRN-YEL. TR.	-18
225	BRN-GRN. TR.	
228	GRAY-BLK. TR.	
230	-BRN. TR.	
232	-RED TR.	
234	-ORN. TR.	
236	GRAY-YEL. TR.	-18
239	WHT-BLK. TR.	-16
240	WIRE, SHIELDED WHT-BRN. TR.	A-8829132-16
241 TO 243	CABLE, COAXIAL	PS 744-122
246	CABLE, COAXIAL	PS 744-62
250 TO 264	WIRE, TINNED COPPER .020 DIA.	PS 105
275 TO 290	TINNED COPPER .032 DIA.	PS 105
291-292	SHIELDED BRN-BLK. TR.	A-8829132-16
321	WIRE, SHIELDED BRN-BLK. TR.	A-8829132-18
338	WIRE, BRN-RED. TR.	A-8829122-16
340 TO 365	TINNED COPPER .032 DIA.	PS 105
370-371	SHIELDED BRN.	A-8829132-16
375	SHIELDED BRN.-YEL. TR.	A-8829132-16
380	WIRE, SHIELDED BRN.-GRN. TR.	A-8829132-16
400 TO 416	SLEEVING .095 I.D.	PS 753-B-8
430 TO 437	.133 I.D.	PS 753-B-11
448 TO 458	.034 I.D.	PS 753-B-2
465 TO 468	SLEEVING .106 I.D.	PS 753-B-9

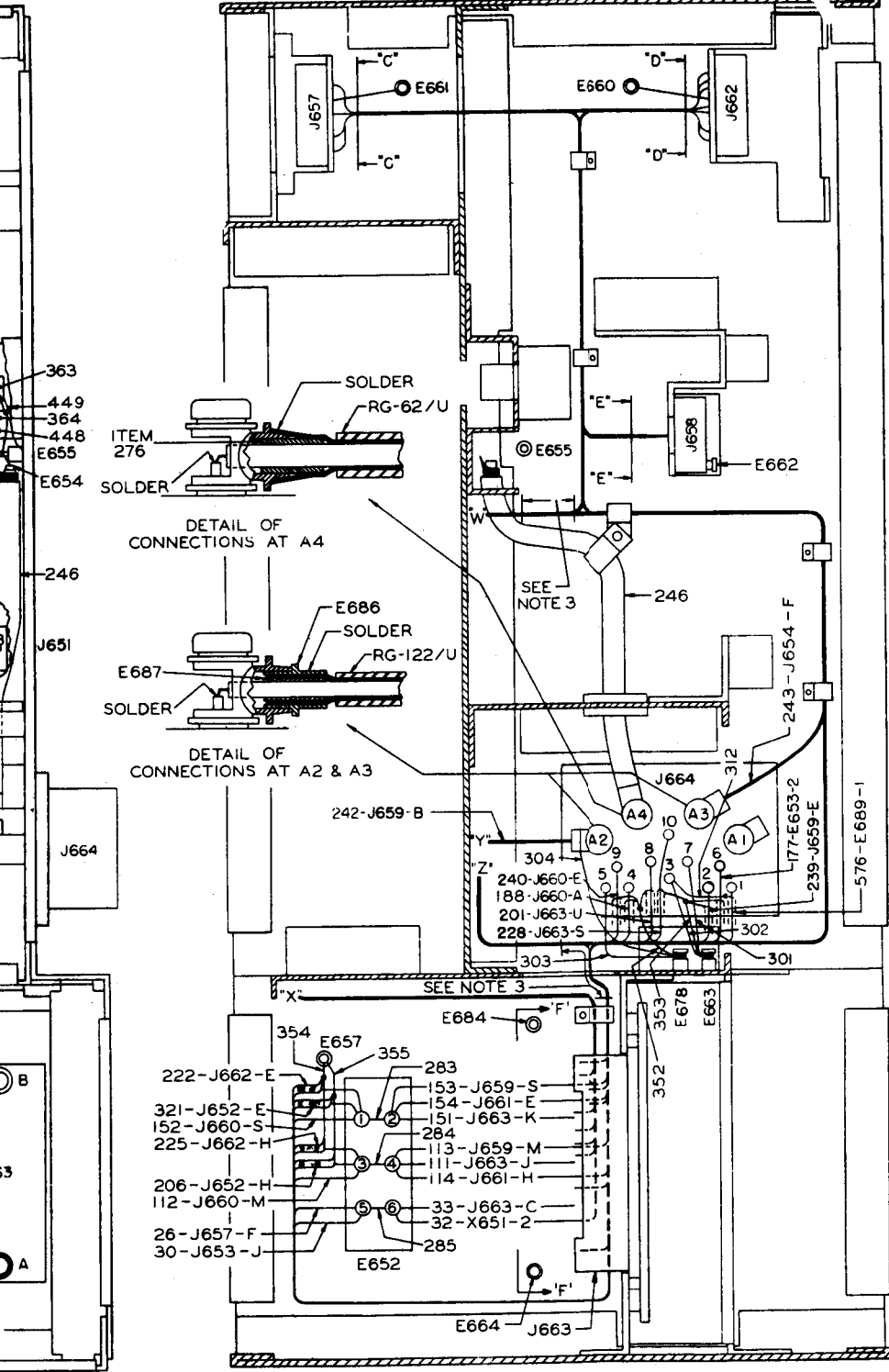
Figure 7-40. Main Frame, Connection Diagram, AN/SRR-12

AN/SRR-11, -12, -13
CORRECTIVE MAINTENANCE

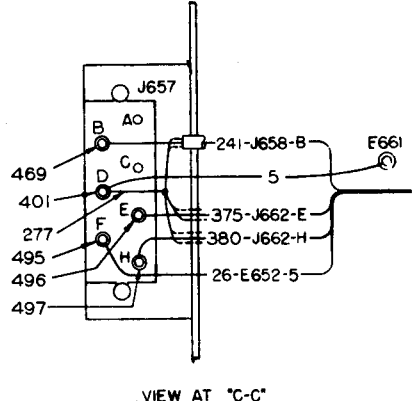


SECTION ON "A-A"

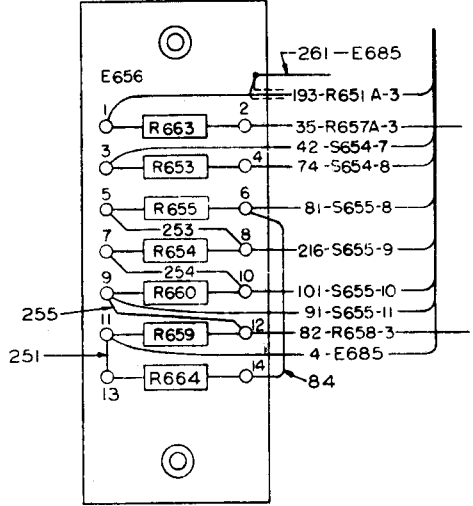
"B"



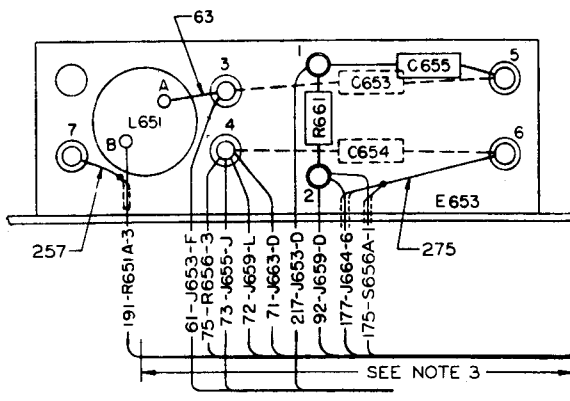
SECTION ON "B-B"



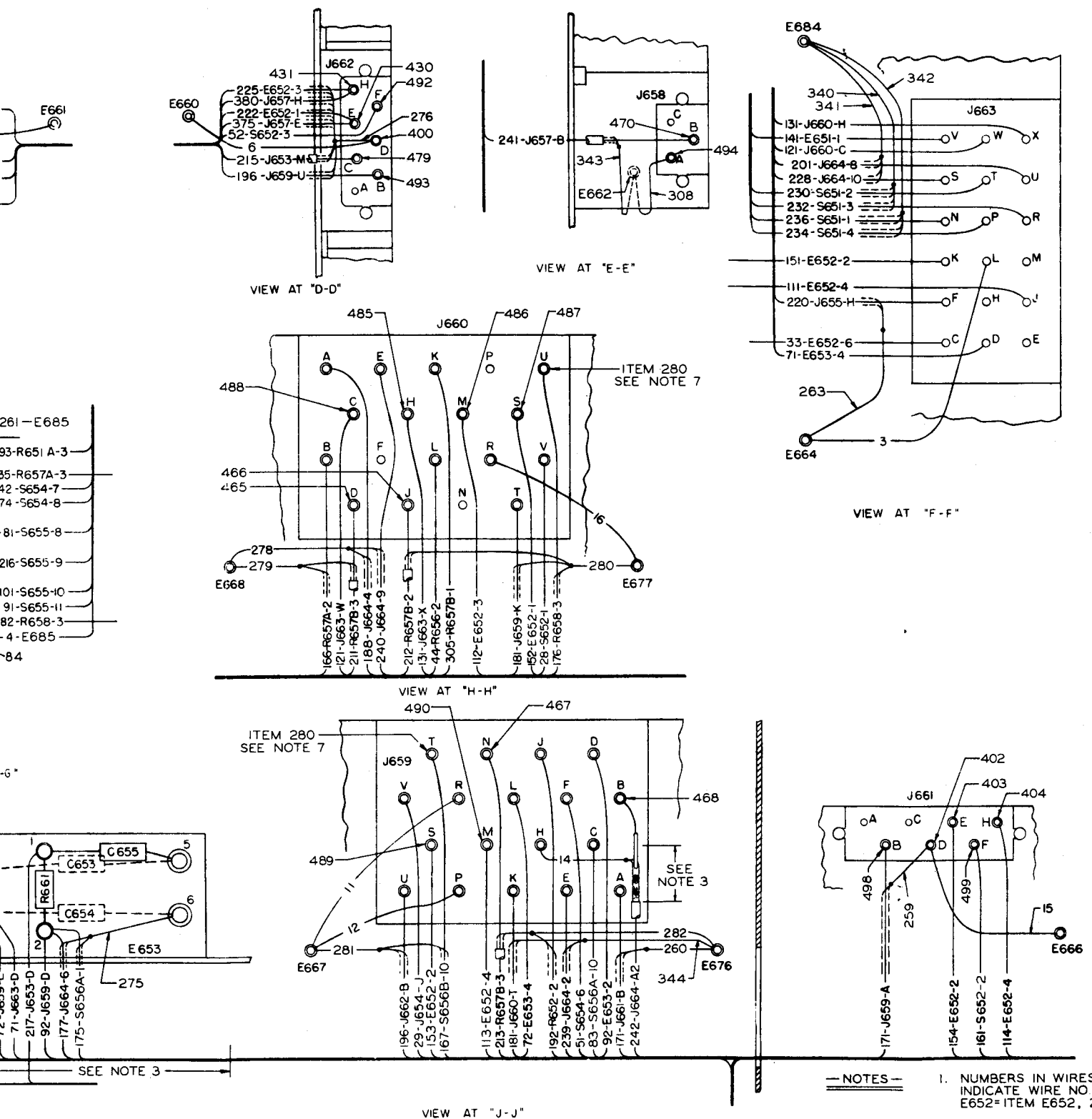
VIEW AT "C-C"



VIEW AT "G-G"



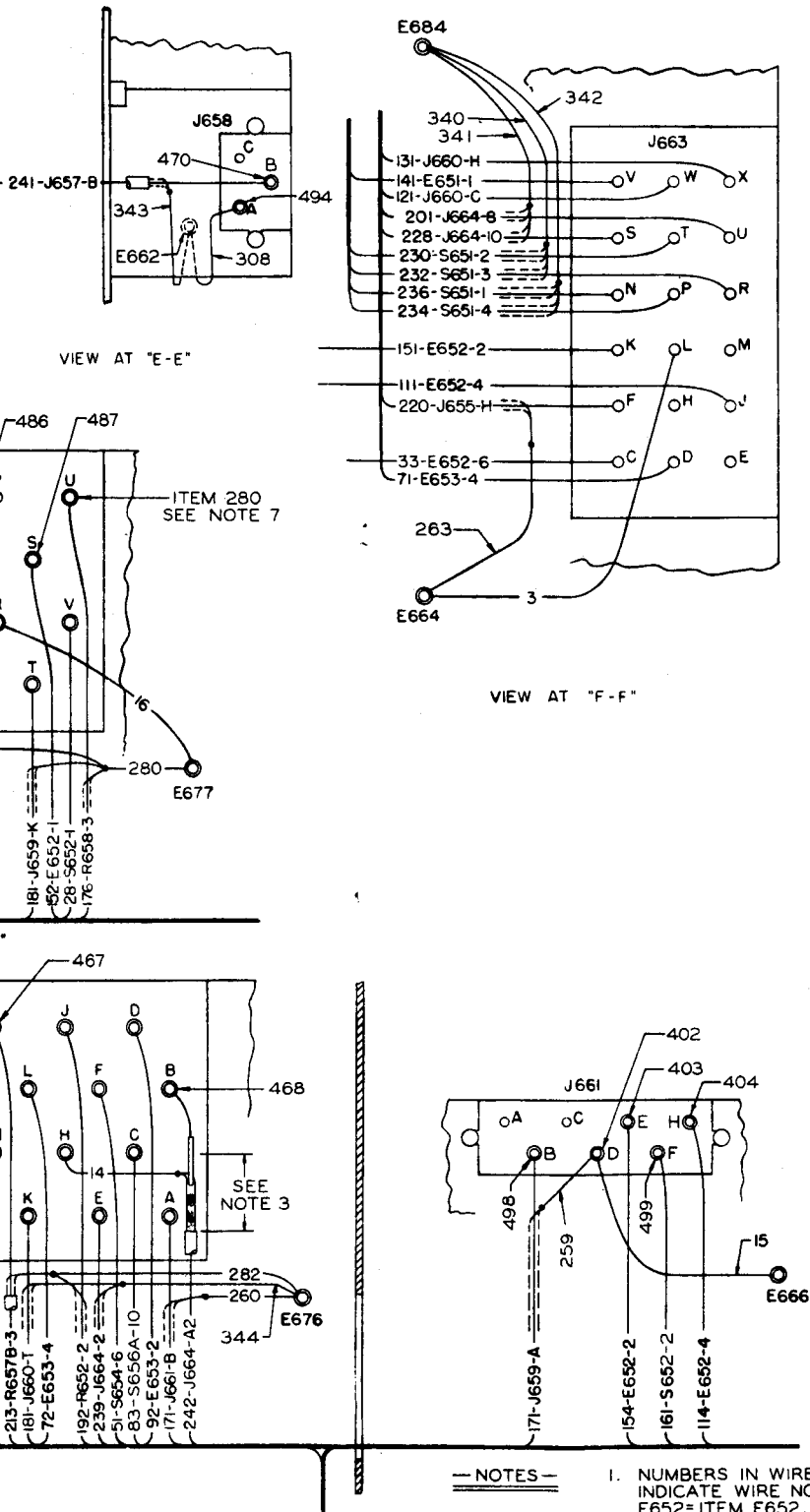
SEE NOTE 3



WIRE
3 TO 20
26 TO
41 TO
51-52
61 TO
71 TO 7
81 TO
91 TO
101 TO
111 TO
121
131
141
151 TO
161
166-16
171
175 TO
181
186 TO
190 TO
196
201
206
211 TO
216 TO
220
222
225
228
230
232
234
236
239
240
241 TO
246
250 TO
274 TO
291-2
321
330 TO
340 TO
370-3
375
380
400 TO
410 TO
430 TO
448 TO
465 TO
575,5
485 TO

- NOTES**
- NUMBERS IN WIRES REFER TO INDICATE WIRE NO. & DESTINATION. E652=ITEM E652, 2=TERM. 2
 - TAPE CABLE WHERE INDICATED
 - CABLE & LACE WIRES AS INDICATED
 - SYMBOL & ITEM NOS. REFER TO DRAWING
 - CRIMP & SOLDER ALL ELECTRICAL CONNECTIONS
 - WITH EXCEPTIONS AS INDICATED IN NOTES, ALL WIRES & TERMINALS AT JUNCTIONS SHALL BE SHIELDED
 - SHIELD SHALL COVER 2 1/2" ± 1/4"

Figure 7-41A. Main Frame Connect. AN/SRR-13A



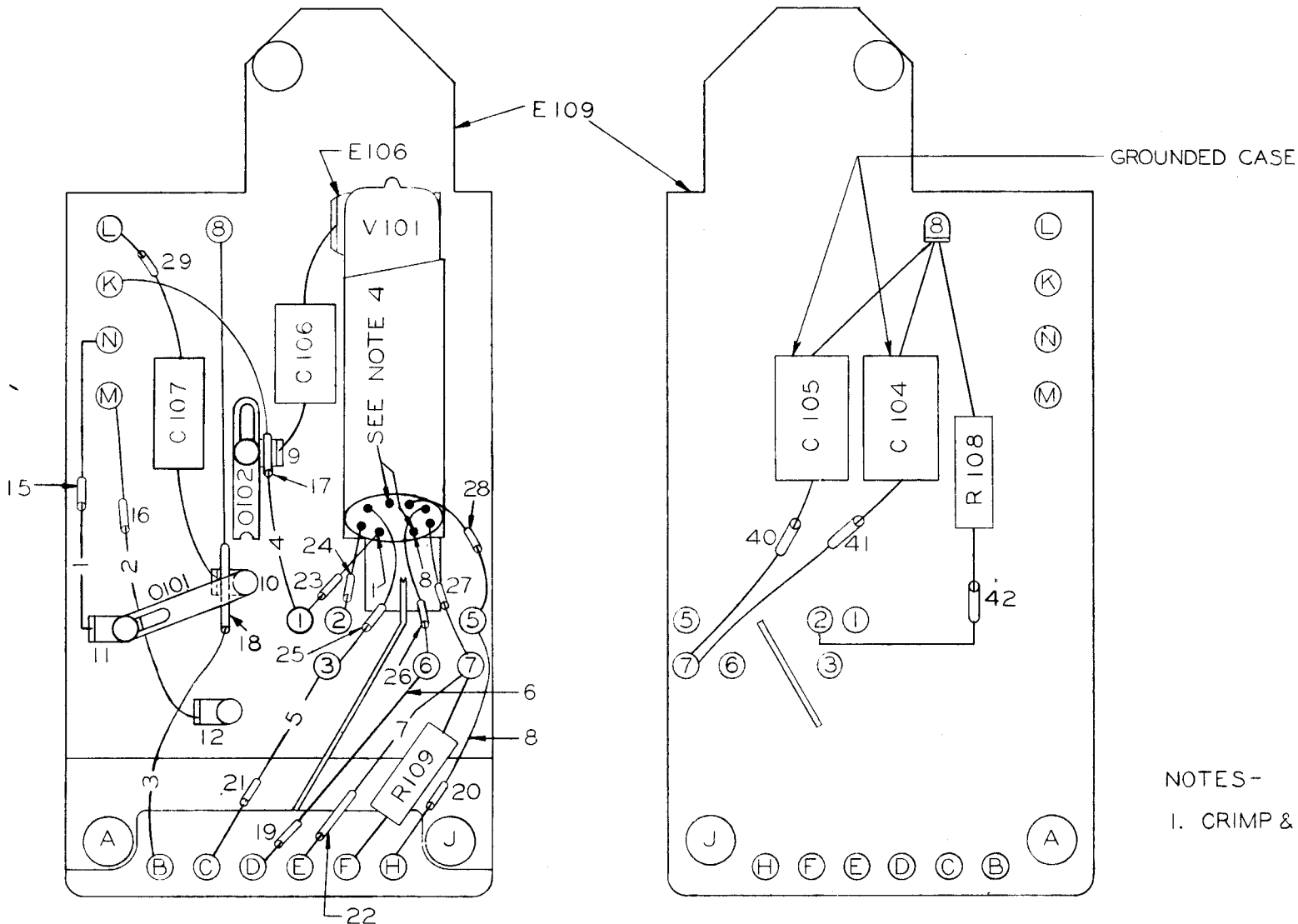
WIRE TABLE	
WIRE NO.	DESCRIPTION
3 TO 20, 301 TO 312	WIRE, BLK.
26 TO 35	RED
41 TO 44	RED-BLK. TR.
51-52	RED-YEL. TR.
61 TO 63	YEL.
71 TO 75	RED-ORN. TR.
81 TO 85	YEL-BLK. TR.
91 TO 92	WHT.
101 TO 104	BLUE
111 TO 114	BRN.-GRN. TR.
121	BRN.-PUR. TR.
131	BRN.-BLUE TR.
141	BRN.
151 TO 154	BRN.-YEL. TR.
161	RED-BRN. TR.
166-167	SHIELDED, RED-BLK. TR.
171	PURPLE
175 TO 177	WHT-RED TR.
181	GRN.
186 TO 188	YEL-BRN. TR.
190 TO 193	YEL.
196	GRN-BLK. TR.
201	GRAY
206	WIRE, SHIELDED, BRN.
211 TO 215	CABLE, COAXIAL
216 TO 218	WIRE, WHT-BLK. TR.
220	SHIELDED BRN-ORN. TR.
222	BRN-YEL. TR.
225	BRN-GRN. TR.
228	GRAY-BLK. TR.
230	-BRN. TR.
232	-RED TR.
234	-ORN. TR.
236	GRAY-YEL. TR.
239	WHT-BLK. TR.
240	WIRE, SHIELDED WHT-BRN. TR.
241 TO 243	CABLE, COAXIAL
246	CABLE, COAXIAL
250 TO 266	WIRE, TINNED COPPER .020 DIA.
274 TO 290	TINNED COPPER .032 DIA.
291-292	SHIELDED BRN-BLK TR.
321	WIRE, SHIELDED BRN-BLK. TR.
330 TO 334	SLEEVING .022 I. D.
340 TO 364	WIRE, TINNED COPPER .032 DIA.
370-371	SHIELDED BRN.
375	SHIELDED BRN-YEL TR.
380	WIRE, SHIELDED BRN-GRN TR.
400 TO 405	TUBING, BLK .085 I. D.
410 TO 412	SLEEVING .095 I. D.
430 TO 434	TUBING, BLK. 1.06 I. D.
448 TO 453	SLEEVING .034 I. D.
465 TO 479	TUBING, BLK. .095 I. D.
575, 576	WIRE, SHIELDED BLUE
485 TO 502	TUBING, BLK. .066 I. D.

NOTES

- NUMBERS IN WIRES REFER TO WIRE TABLE. CODING AT ENDS OF WIRES INDICATE WIRE NO. & DESTINATION OF WIRE. THUS: 151-E652-2, 151=WIRE NO., E652=ITEM E652, 2= TERM. 2 OF E652 AS INDICATED ON THIS DRAWING
- TAPING SHALL COVER 2 1/2 INCHES OF WIRE 575
- TAPE CABLE WHERE INDICATED
- CABLE & LACE WIRES AS INDICATED
- SYMBOL & ITEM NOS. REFER TO LIST OF PARTS
- CRIMP & SOLDER ALL ELECTRICAL CONNECTIONS
- WITH EXCEPTIONS AS INDICATED, ASSEMBLE OF WIRES & TERMINALS AT J659 & J660. TUBING OVER ENDS
- SHIELD SHALL COVER 2 1/2 INCHES OF WIRE 575

Figure 7-41A. Main Frame Connection Diagram, AN/SRR-13A

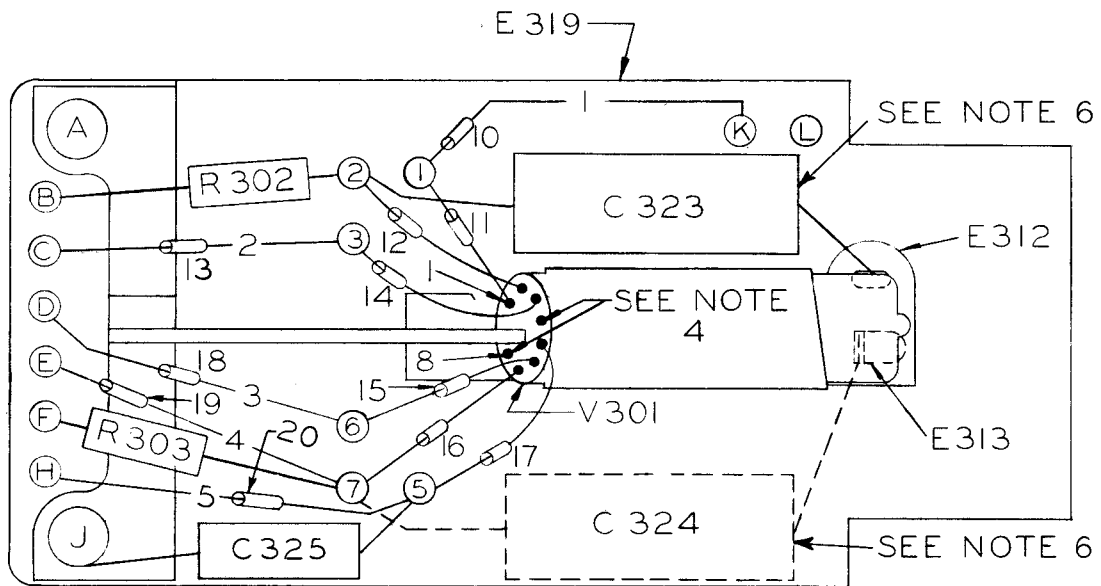
7-155A, 7-156A



- NOTES-
1. CRIMP &
 3. NUMBER WIRE TA
 4. LEAD OFF CL

WIRE TABLE	
WIRE NO	DESCRIPTION
1-8 INCL.	WIRE TINNED COPPER .020 DIA PS 105
15-29 INCL.	SLEEVING .022 I.D. PS 753-B-1
40-42 INCL.	SLEEVING .034 I.D. PS 753-B-3

Figure 7-42. An



WIRE TABLE	
WIRE NO.	DESCRIPTION
1-5 INCL.	WIRE TINNED COPPER .020 DIA.
10-20 INCL.	SLEEVING .022 I.D.

NOTES

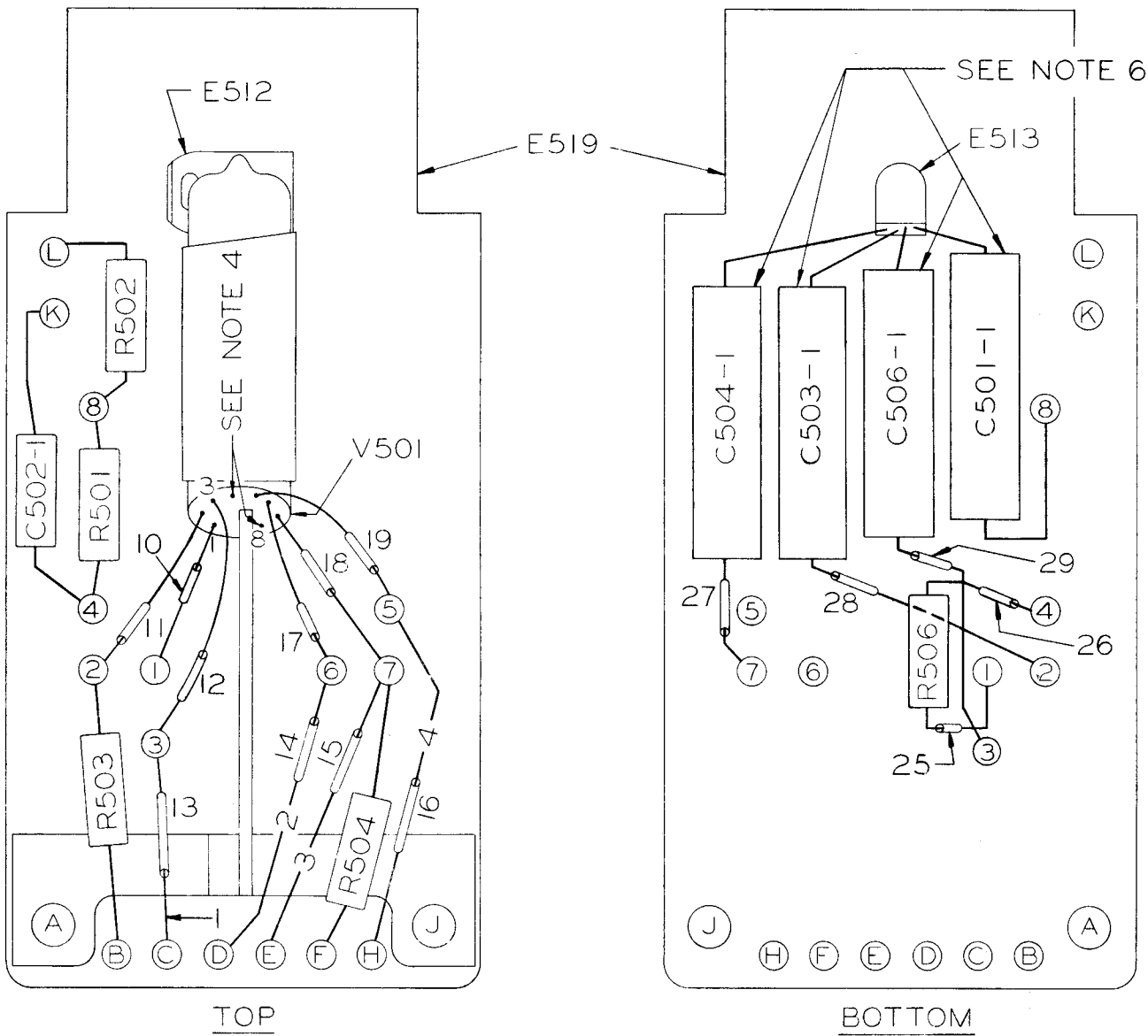
1 CRIMP & SOLDER ALL ELECTRICAL CONNECTIONS

3 NUMBERS IN WIRES REFER TO WIRE TABLE.

4 LEAD NO'S. 4 & 8 OF V301 CUT OFF CLOSE TO BASE.

6 CASE GROUNDING END.

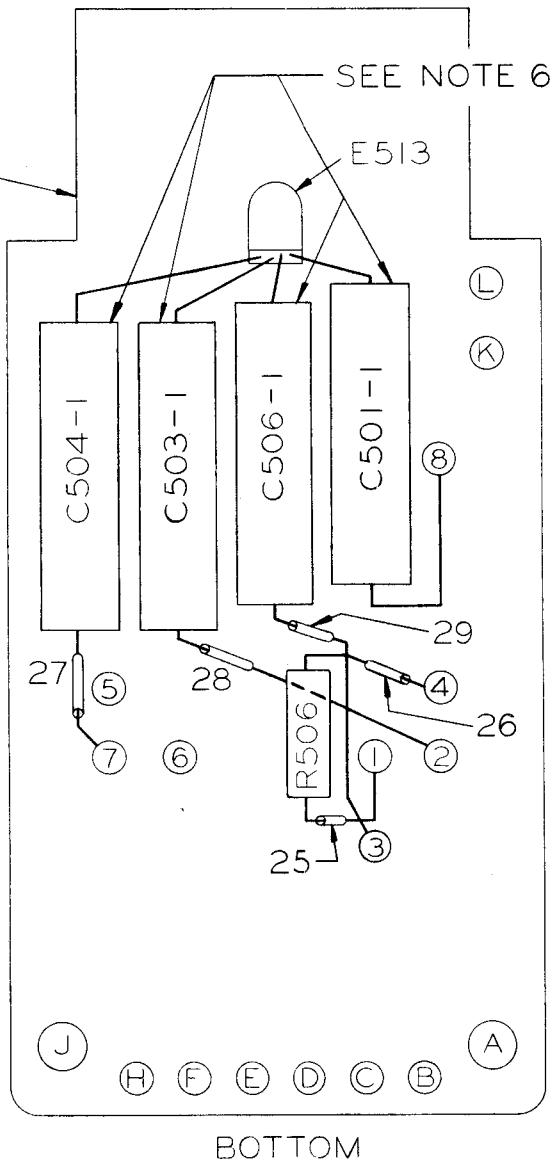
Figure 7-43. Antenna Plug-in Board, Z301



- NOTE
1. CRIMINAL CONNECTION
 3. NUMBER TABLE
 4. LEAD CLOSURE
 6. CASE TO C

WIRE TABLE			
WIRE NO.	DESCRIPTION		
1-4 INCL.	WIRE TINNED COPPER	.020 DIA.	
10-19 INCL.	SLEEVING	.022 I.D.	
25-29 INCL.	SLEEVING	.034 I.D.	

A)

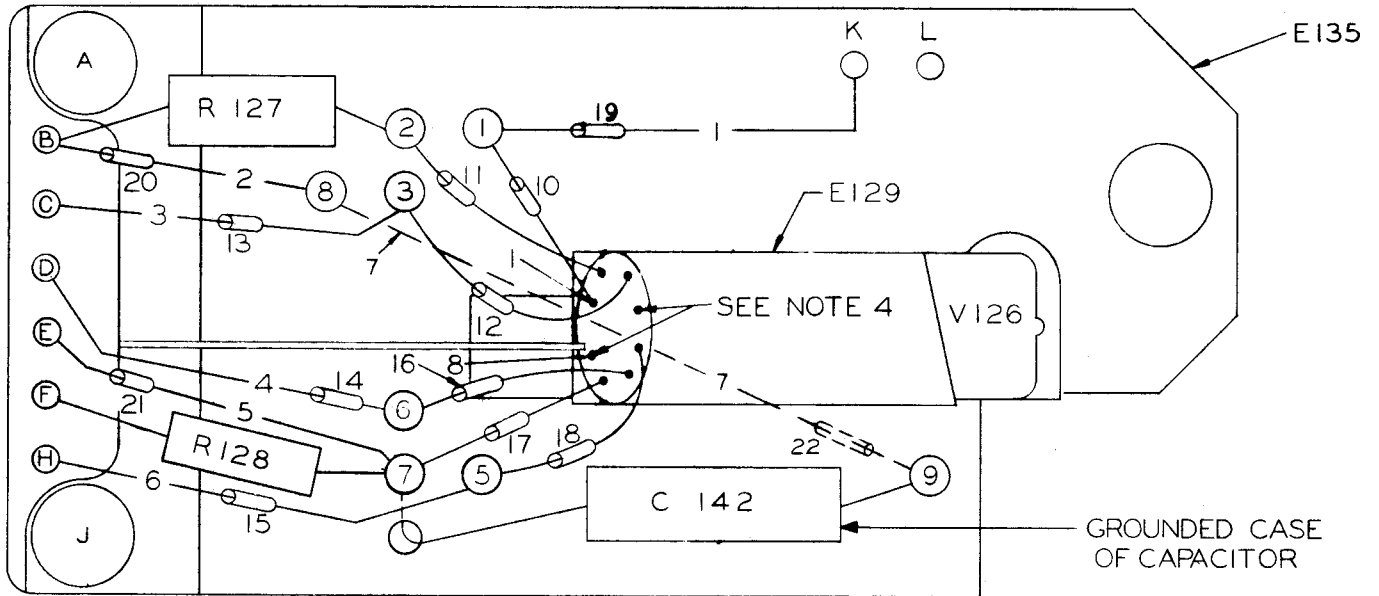


— NOTES —

1. CRIMP & SOLDER ALL ELECTRICAL CONNECTIONS
3. NUMBERS IN WIRES REFER TO WIRE TABLE.
4. LEADS 4 AND 8 OF V501 CUT OFF CLOSE TO BASE.
6. CASE OF CAPACITOR CONNECTED TO GROUND.

DESCRIPTION	
WIRE	.020 DIA.
	.022 I.D.
	.034 I.D.

Figure 7-44. Antenna Plug-in Board, Z501

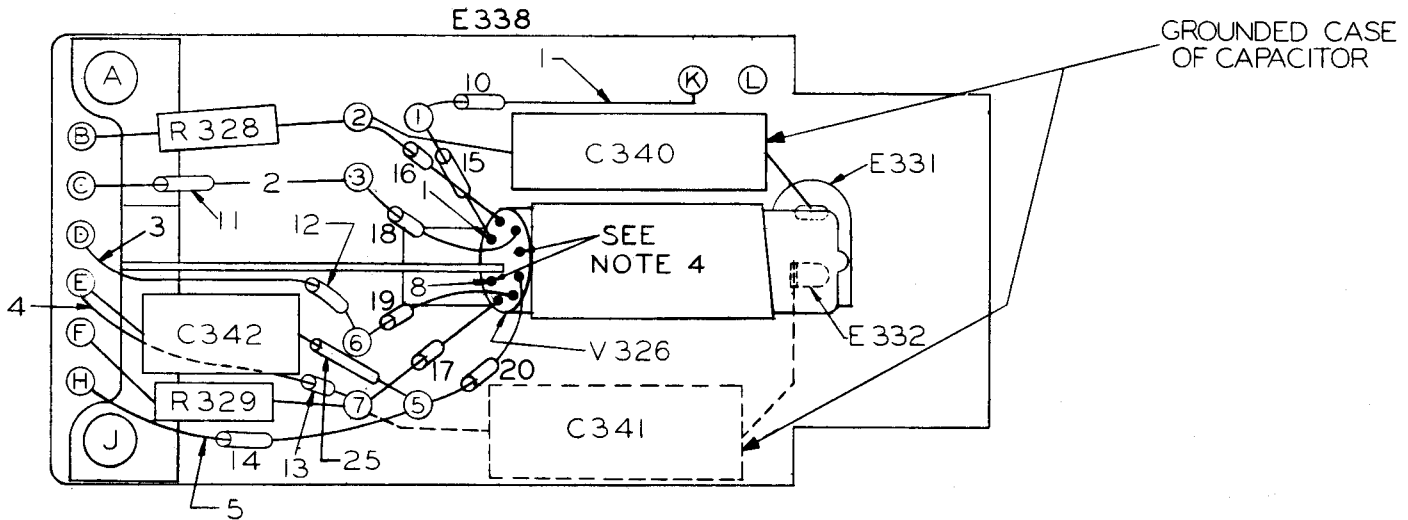


WIRE TABLE	
WIRE NO.	DESCRIPTION
1-7 INCL	WIRE TINNED COPPER .020 DIA. PS 105
10-22 INCL	SLEEVING .022 I.D. PS753-B-1

NOTES-

1. CRIMP & SOLDER ALL ELECTRICAL CONNECTIONS
3. NUMBERS IN WIRES REFER TO WIRE TABLE.
4. LEAD NOS. 4 & 8 OF V126 CUT OFF CLOSE TO BASE.

Figure 7-45. R-F Plug-in Board, Z126



WIRE TABLE	
WIRE NO.	DESCRIPTION
1-5 INCL.	WIRE TINNED COPPER .020 DIA.
10-20 INCL.	SLEEVING .022 I.D.
25	SLEEVING .034 I.D.

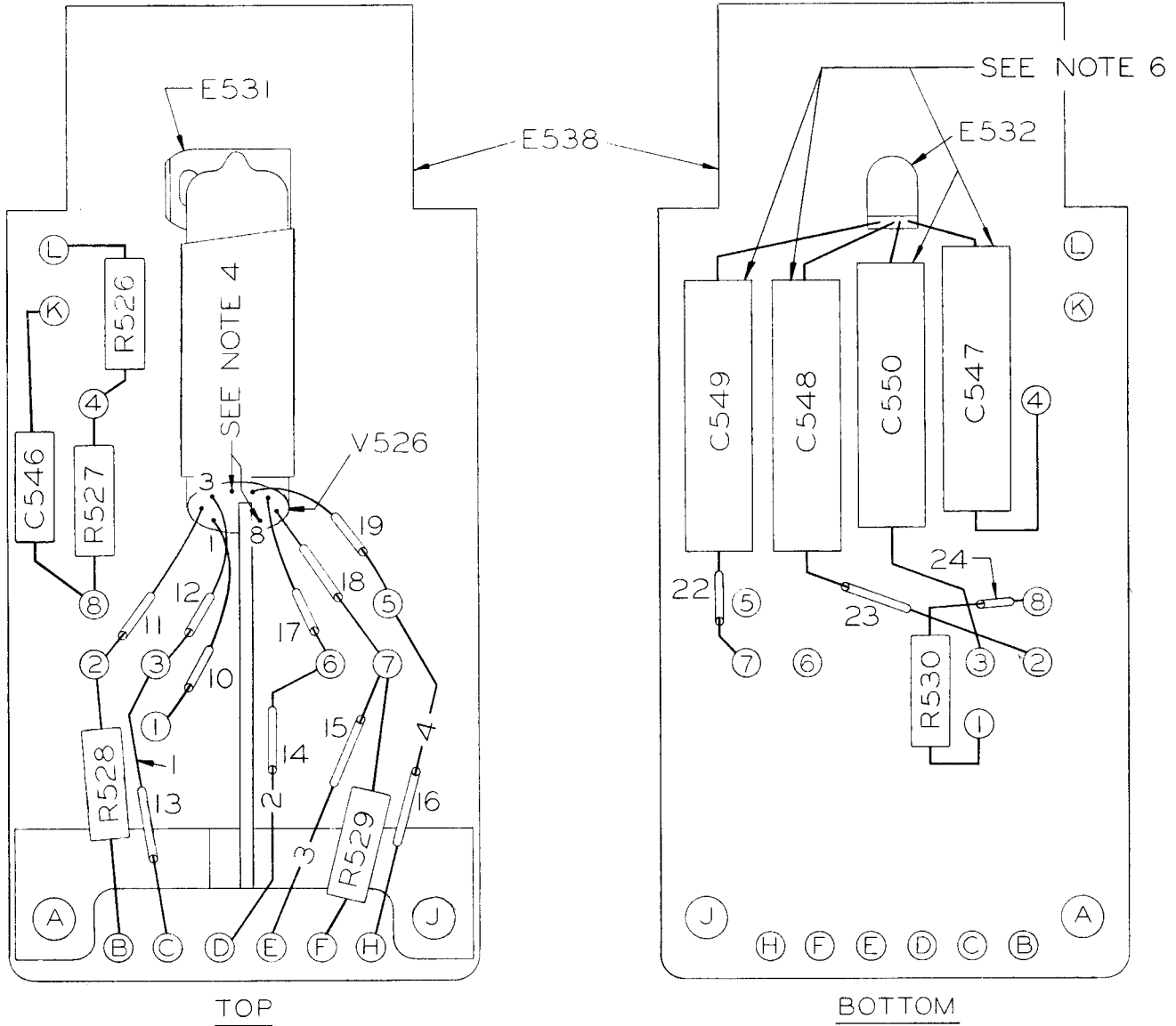
NOTES

1. CRIMP & SOLDER ALL ELECTRICAL CONNECTION USING

3. NUMBERS IN WIRES REFER TO WIRE TABLE.

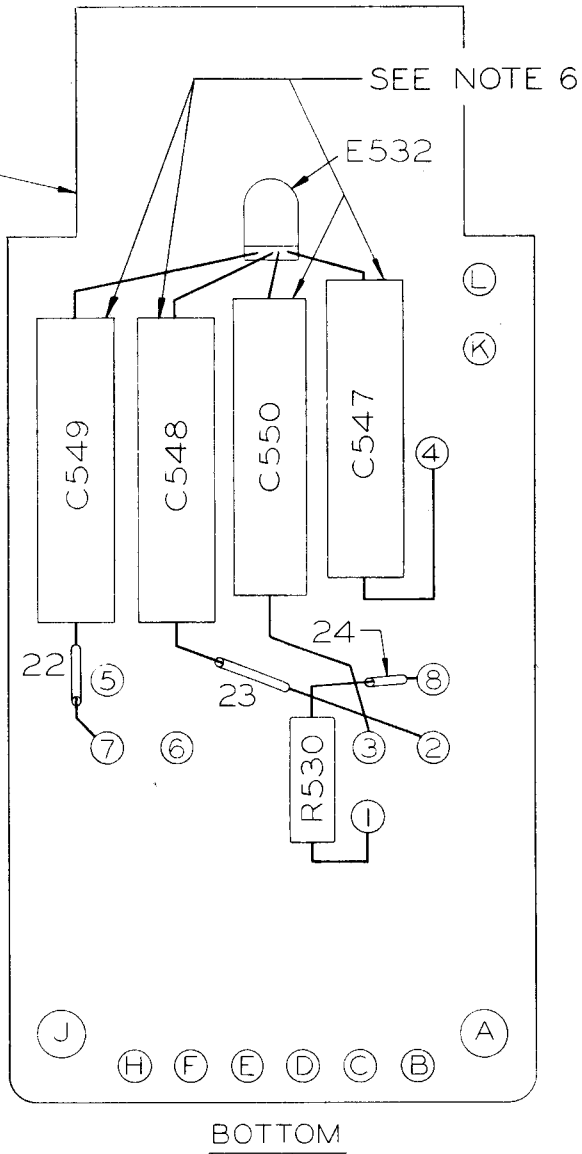
4. LEADS NO'S. 4 & 8 OF V326 CUT OFF CLOSE TO BASE.

Figure 7-46. R-F Plug-in Board, Z326



- NOTE
1. CRIM
 - CONN
 3. NUME
 - TABL
 4. LEAD
 - CLOS
 6. CASE
 - TO G

WIRE TABLE	
WIRE NO.	DESCRIPTION
1-4 INCL.	WIRE TINNED COPPER .020 DIA.
10-19 INCL.	SLEEVING .022 I.D.
22-24 INCL.	SLEEVING .034 I.D.

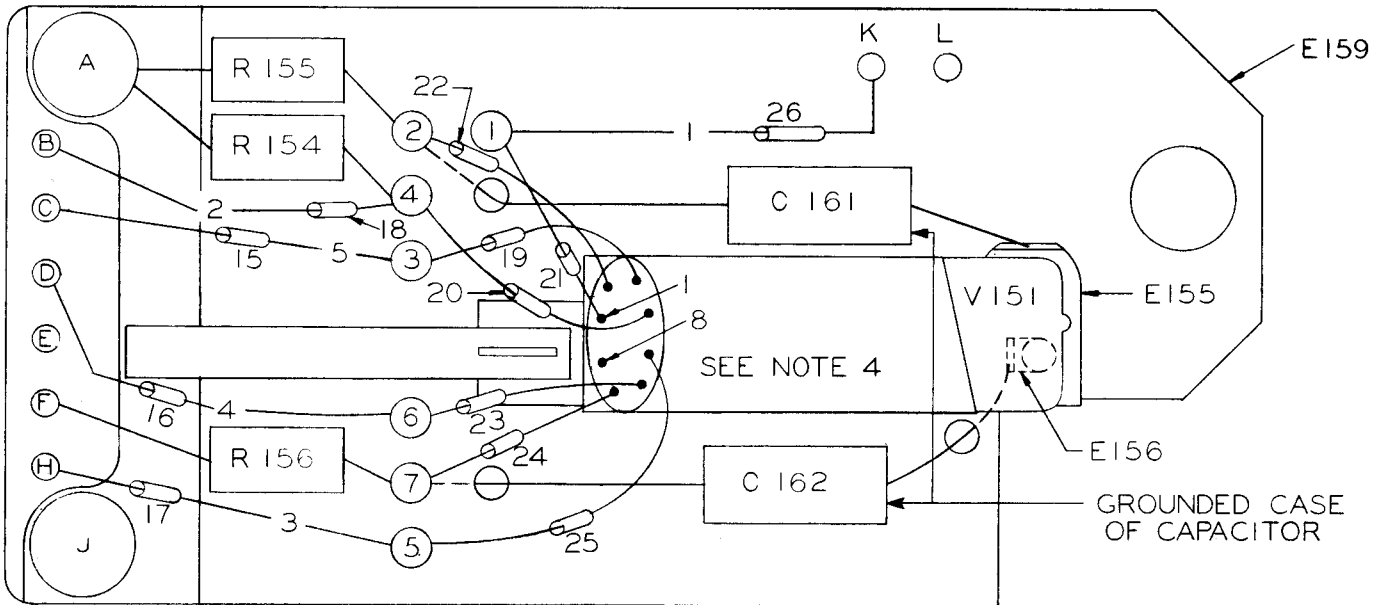


— NOTES —

1. CRIMP & SOLDER ALL ELECTRICAL CONNECTIONS
3. NUMBERS IN WIRES REFER TO WIRE TABLE.
4. LEADS 4 AND 8 OF V526 CUT OFF CLOSE TO BASE.
6. CASE OF CAPACITOR CONNECTED TO GROUND.

DESCRIPTION	
COPPER	.020 DIA.
	.022 I.D.
	.034 I.D.

Figure 7-47. R-F Plug-in Board, Z526



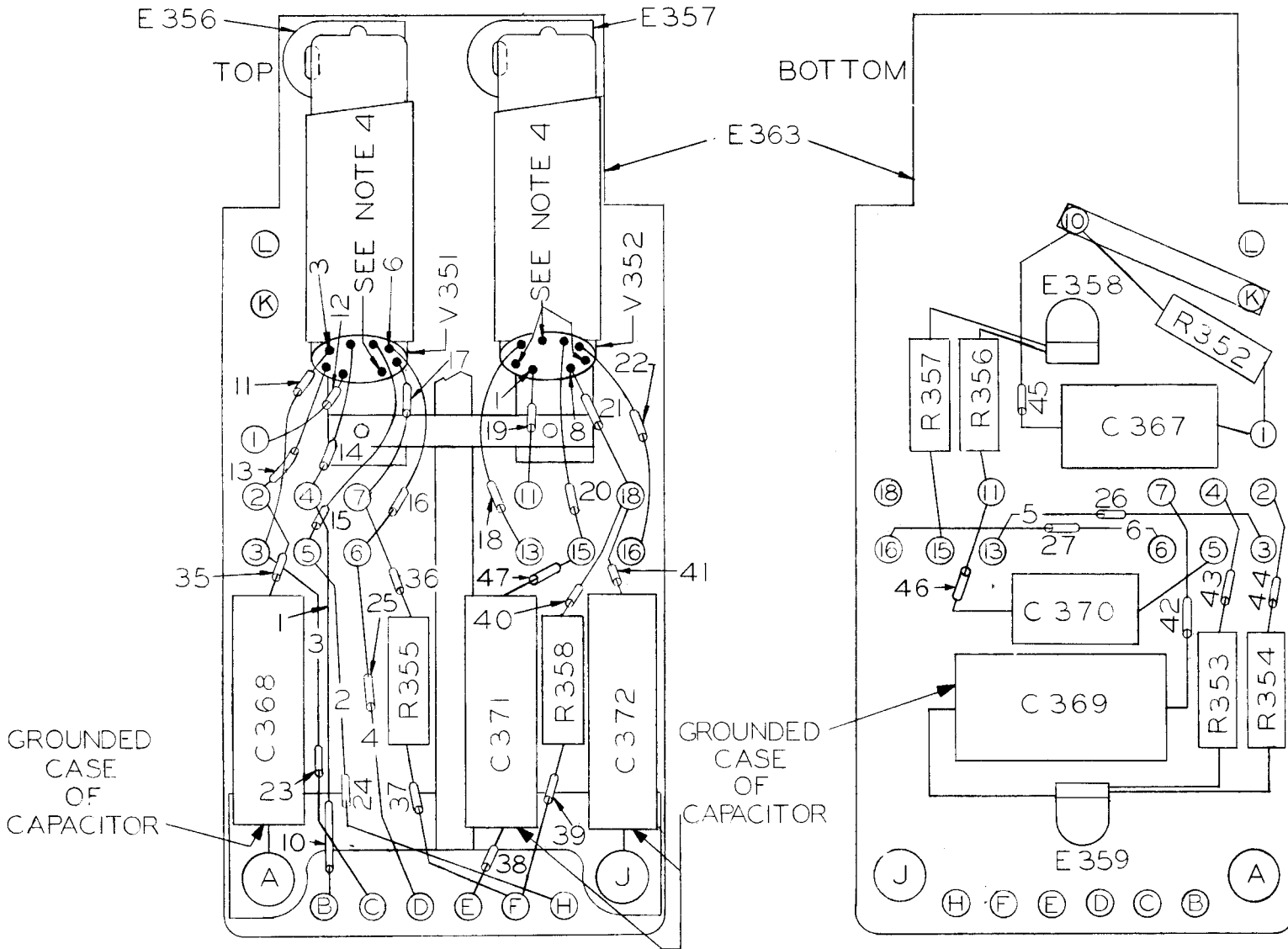
WIRE TABLE	
WIRE NO.	DESCRIPTION
1-5 INCL.	WIRE TINNED COPPER .020 DIA. PS 105
15-26 INCL.	SLEEVING .022 I.D. PS 753-B-1

NOTES-

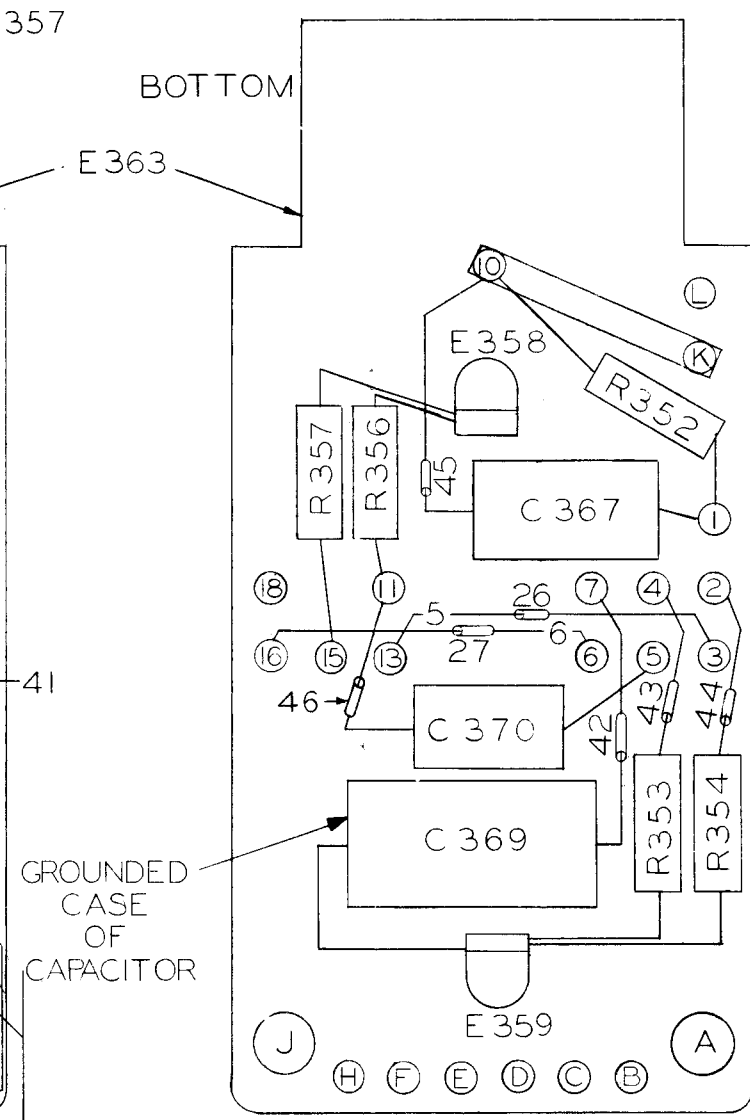
1. CRIMP & SOLDER ALL ELECTRICAL CONNECTIONS
3. NUMBERS IN WIRES REFER TO WIRE TABLE.
4. LEAD NO. 8 OF V 151 CUT OFF CLOSE TO BASE.

Figure 7-48. Mixer Plug-in Board, Z151

RESTRICTED
NAVSHIPS 91875(A)



WIRE TABLE	
WIRE NO.	DESCRIPTION
1-6 INCL.	WIRE TINNED COPPER .020 DIA.
10-27 INCL.	SLEEVING .022 I.D.
35-47 INCL.	SLEEVING .034 I.D.

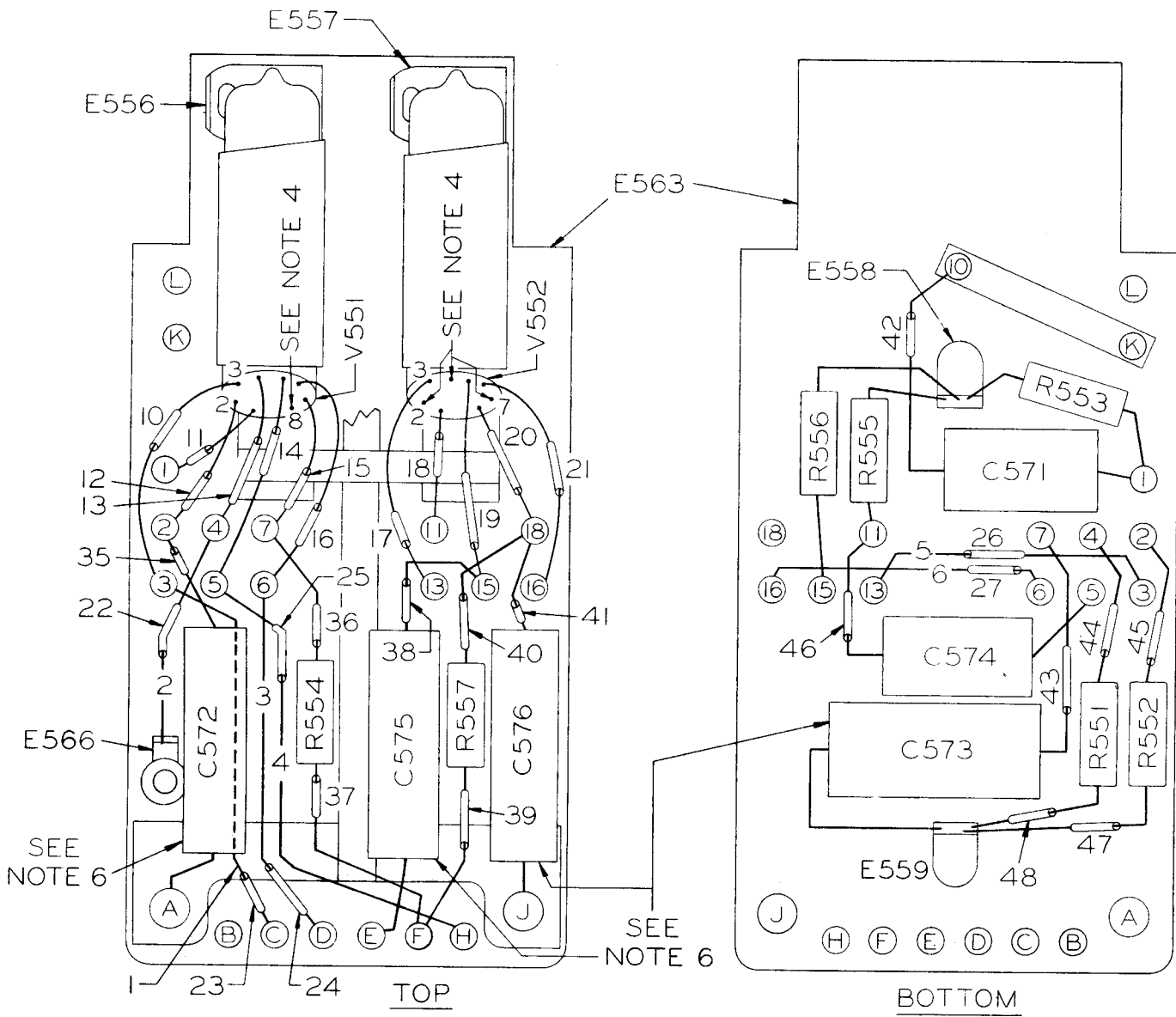


NOTES:

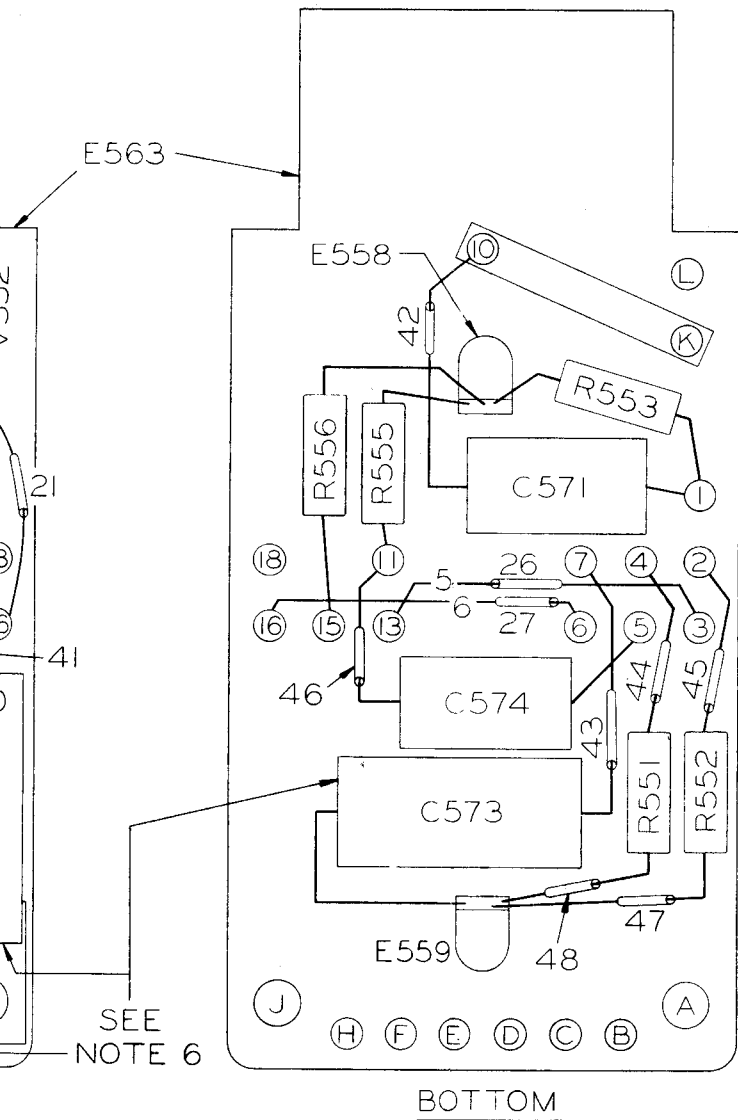
1. CRIMP & SOLDER ALL ELECTRICAL CONNECTIONS
3. NUMBERS IN WIRES REFER TO WIRE TABLE.
4. LEAD NO.8 OF V351 & LEADS NOS. 2,4,&7 OF V352 CUT OFF CLOSE TO BASE.

E	
DESCRIPTION	
COPPER	.020 DIA.
	.022 I.D.
	.034 I.D.

Figure 7-49. Mixer Plug-in Board, Z351



WIRE TABLE			
WIRE NO.	DESCRIPTION		
1-6 INCL.	WIRE TINNED COPPER	.020 DIA.	
10-27 INCL.	SLEEVING	.022 I.D.	
35-48 INCL.	SLEEVING	.034 I.D.	



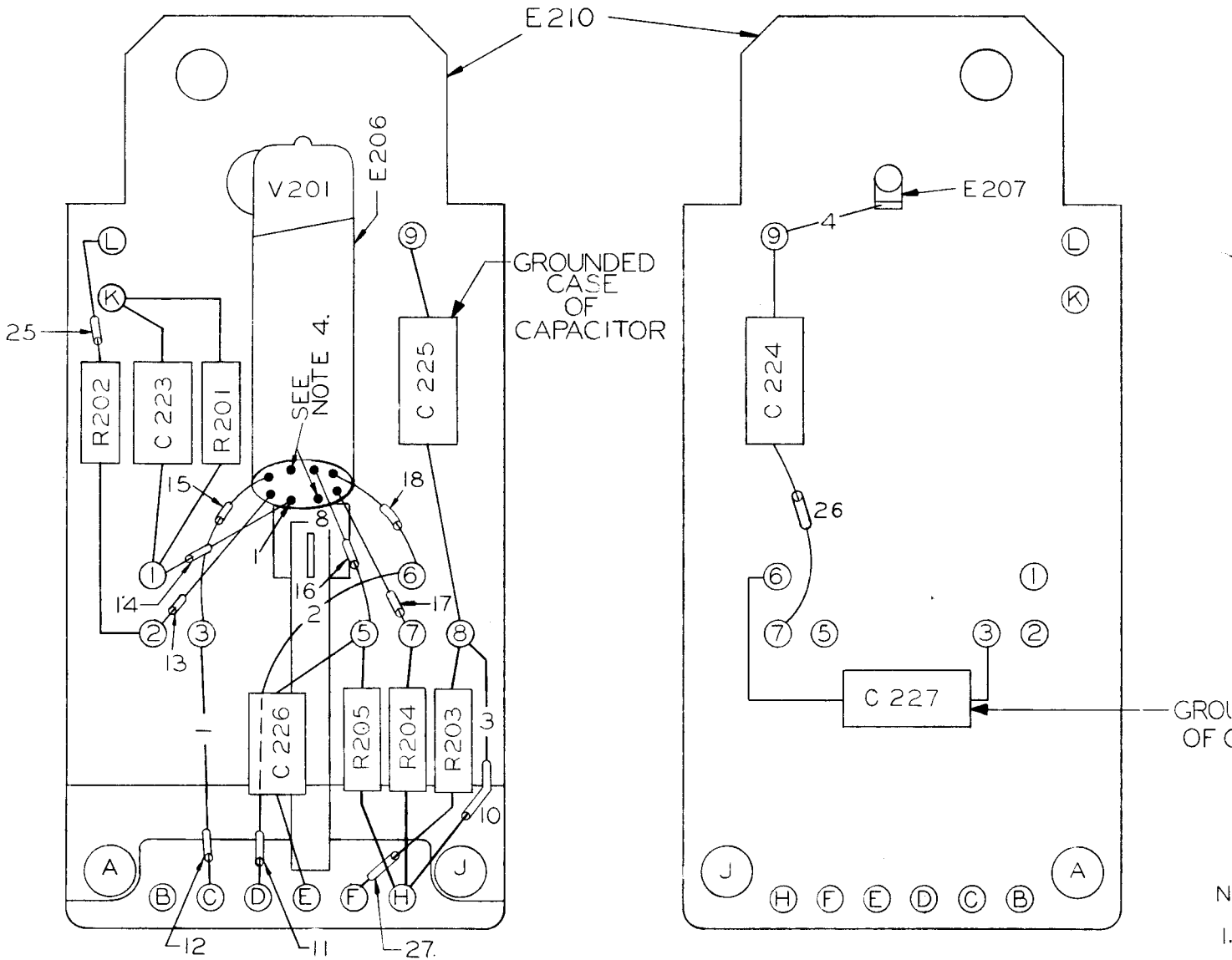
— NOTES —

1. CRIMP & SOLDER ALL ELECTRICAL CONNECTIONS
3. NUMBERS IN WIRES REFER TO WIRE TABLE.
4. LEAD 8 OF V551 AND LEADS 2, 4, & 7 OF V552 CUT OFF CLOSE TO BASE.
6. CASE OF CAPACITOR CONNECTED TO GROUND.

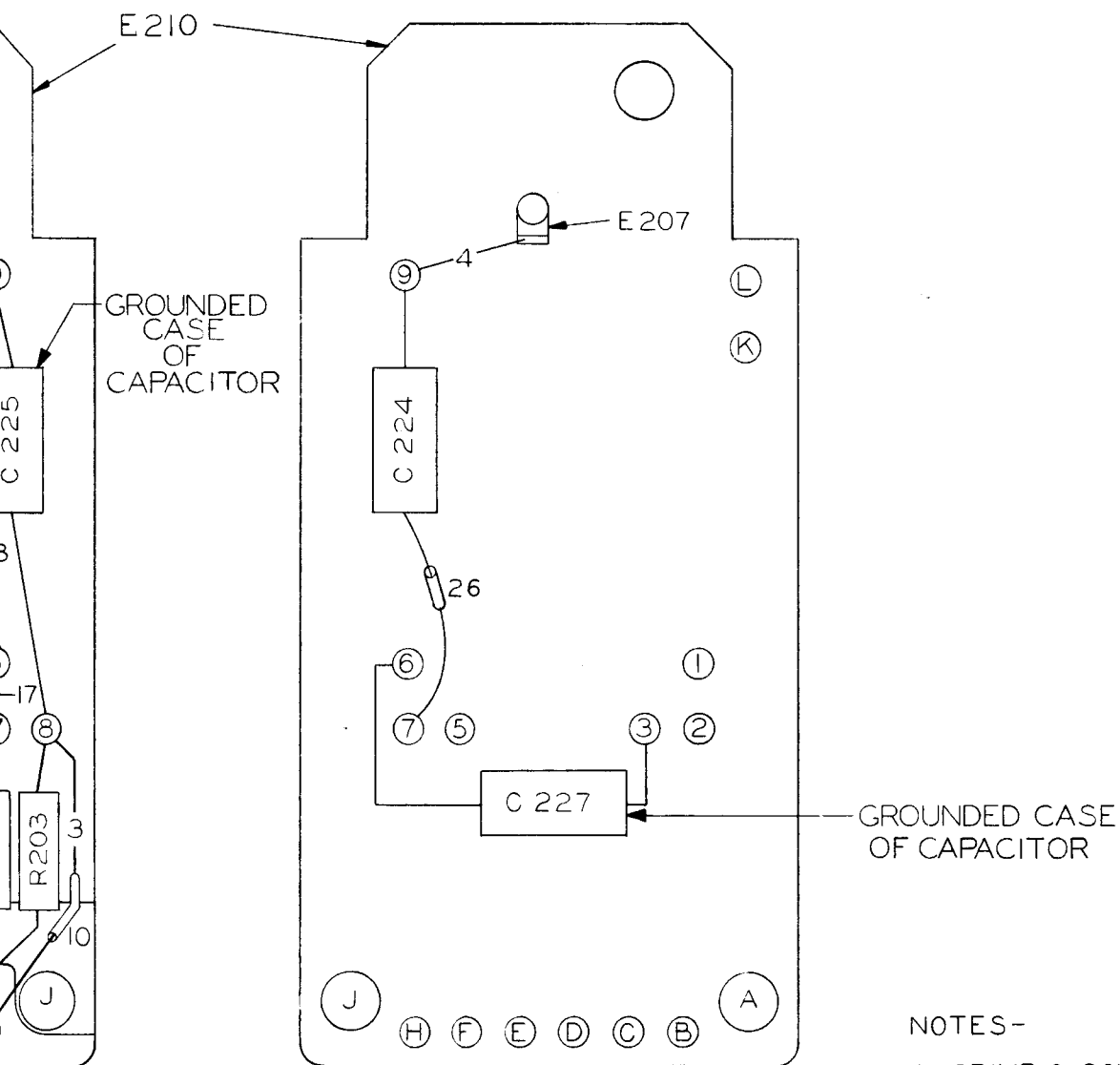
DESCRIPTION	
COPPER	.020 DIA.
	.022 I.D.
	.034 I.D.

Figure 7-50. Mixer Plug-in Board, Z551

RESTRICTED
NAVSHIPS 91875(A)



WIRE TABLE			
WIRE NO.	DESCRIPTION		
1-4 INCL.	WIRE TINNED COPPER	.020 DIA.	PS 105
10-18 INCL.	SLEEVING	.022 I.D.	PS 753-B-1
25-27 INCL.	SLEEVING	.034 I.D.	PS 753-B-2

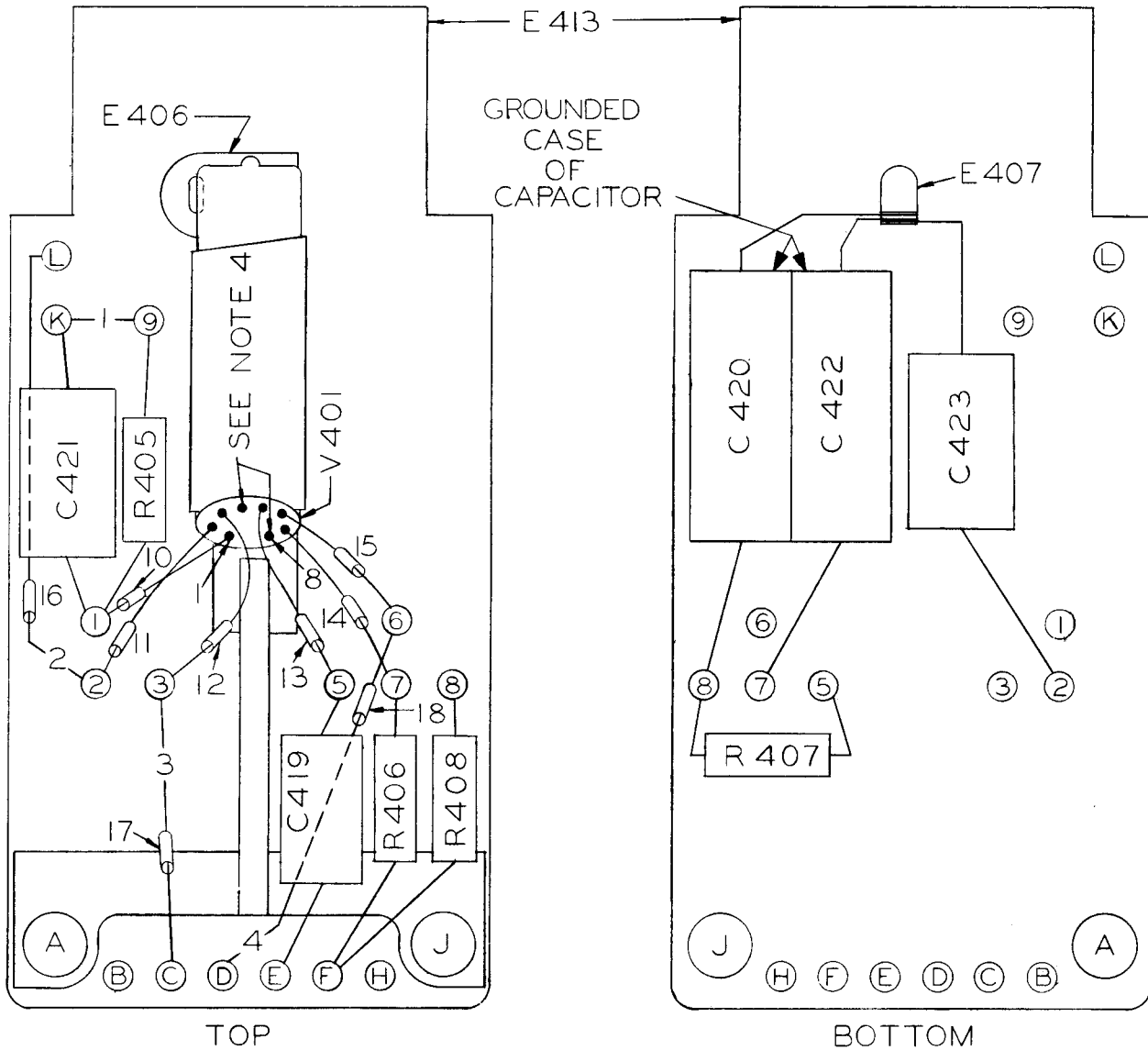


NOTES-

1. CRIMP & SOLDER ALL ELECTRICAL CONNECTIONS
3. NUMBERS IN WIRES REFER TO WIRE TABLE.
4. LEAD NO'S. 4 & 8 OF V201 CUT OFF CLOSE TO BASE.

WIRE TABLE			
DESCRIPTION			
COPPER	.020 DIA.	PS 105	
	.022 I.D.	PS 753-B-1	
	.034 I.D.	PS 753-B-2	

Figure 7-51. Oscillator Plug-in Board, Z201

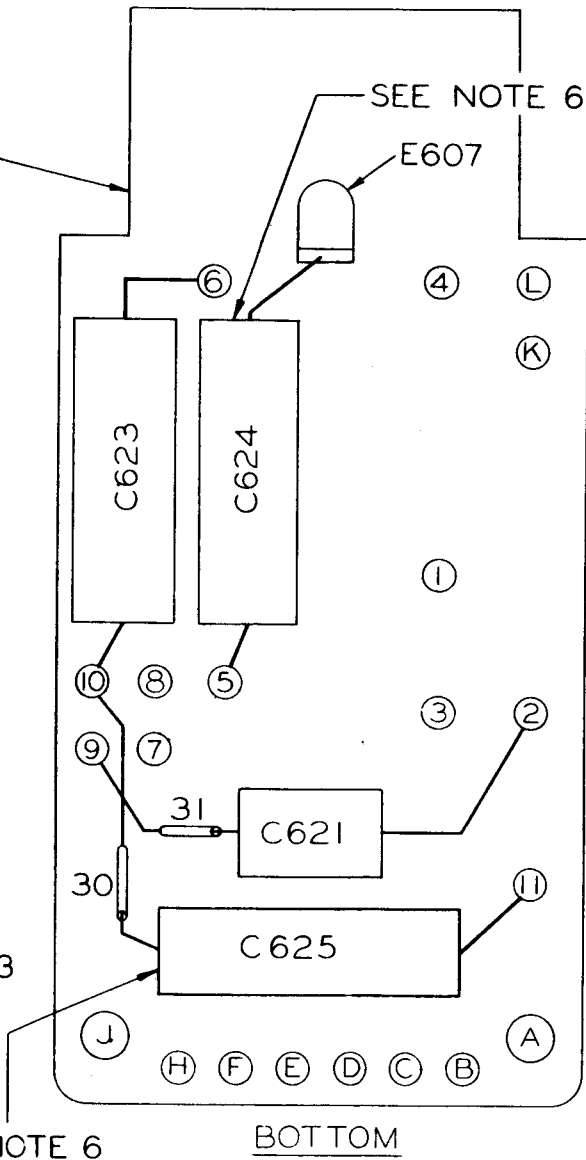


- NOTES
1. CRIMP
CONN

3. NUMB
WIRE

4. LEAD
OFF

WIRE TABLE	
WIRE NO.	DESCRIPTION
1-4 INCL.	WIRE-TINNED COPPER .020 DIA.
10-18 INCL.	SLEEVING 022 I.D.



① Z601

— NOTES —

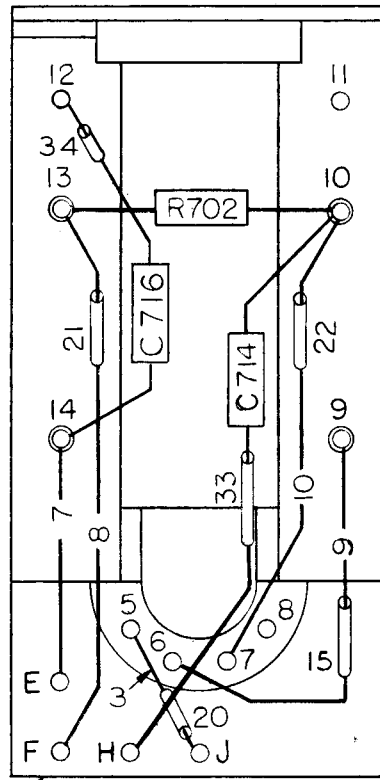
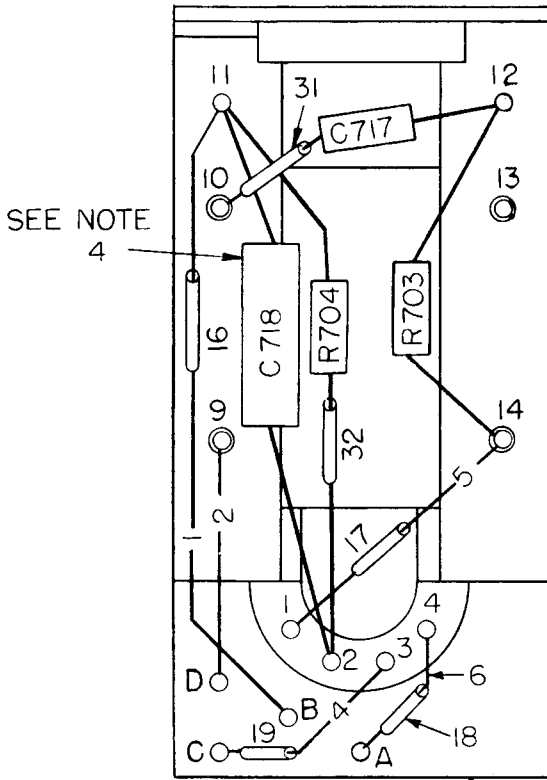
1. CRIMP & SOLDER ALL ELECTRICAL CONNECTIONS USING ITEM 15 SOLDER.
2. SYMBOL & ITEM NUMBERS REFER TO LIST OF PARTS A-8838478-504.
3. NUMBERS IN WIRES REFER TO WIRE TABLE.
4. LEADS 2,4 AND 7 OF V601 CUT OFF CLOSE TO BASE.
5. WIRING MUST CONFORM WITH RCA DRAWING A-8827743.
6. CASE OF CAPACITOR CONNECTED TO GROUND.

NOTE 6

		ITEM NO.	OPEN NO.
020 DIA.	PS105	20	
022 I.D.	PS 753-B-1	24	20
034 I.D.	PS 753-B-2	23	

Figure 7-53A. Oscillator Plug-in Board Z601 (AN/SRR-13A)

RESTRICTED
NAVSHIPS 91875(A)

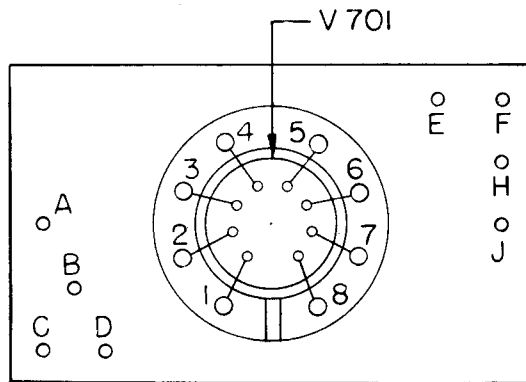


P 701

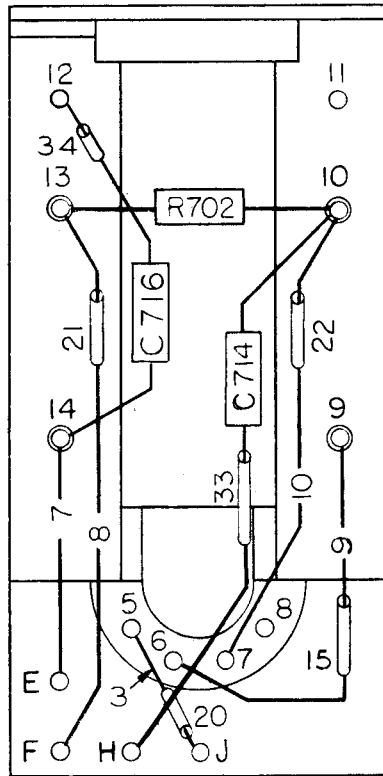
WIRE NO.	
1-10 INCL.	V
15-22 INCL.	
31-34 INCL.	S

NO.
1. GRIMP & SO

3. NOS. IN WIP
4. CASE OF CA



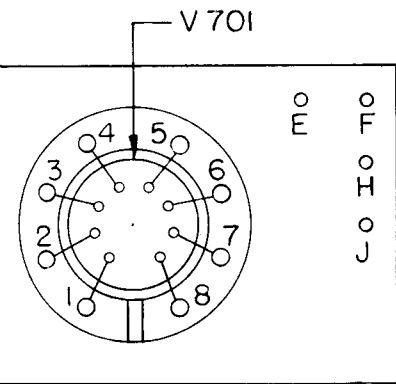
BOTTOM VIEW



WIRE TABLE	
WIRE NO.	DESCRIPTION
1-10 INCL.	WIRE, TINNED COPPER .020 DIA.
15-22 INCL.	SLEEVING .022 I.D.
31-34 INCL.	SLEEVING .034 I.D.

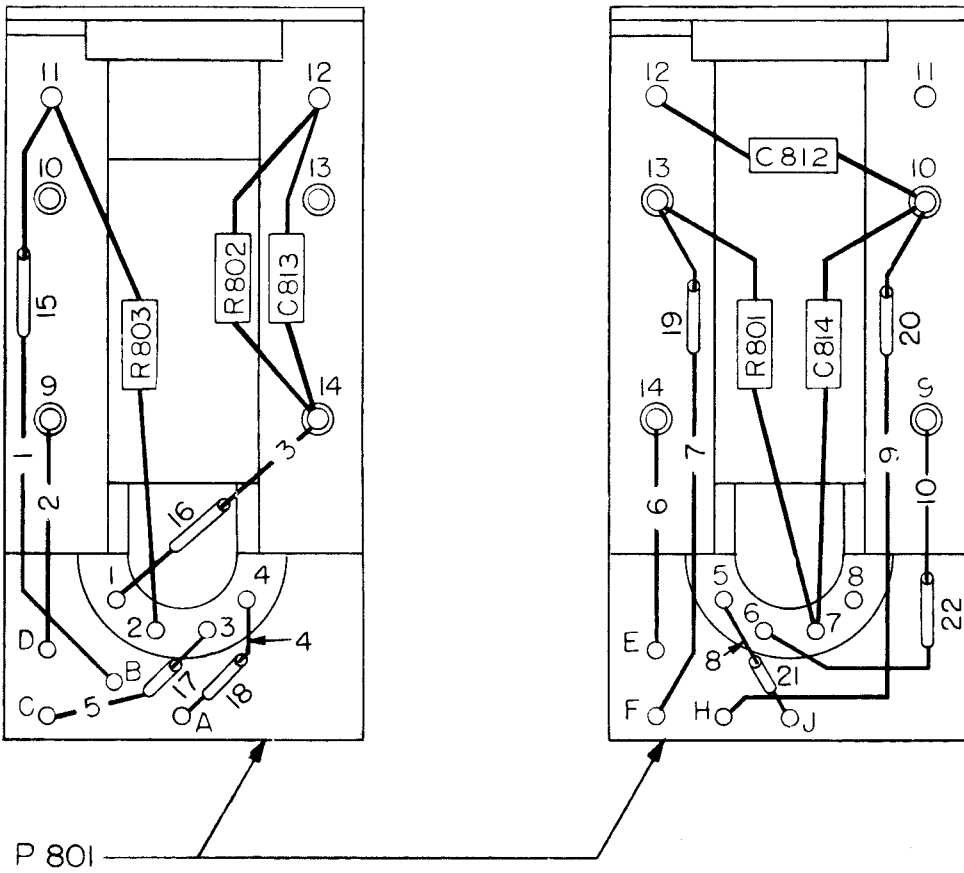
NOTES

1. GRIMP & SOLDER ALL ELECTRICAL CONNECTIONS
3. NOS. IN WIRES REFER TO WIRE TABLE.
4. CASE OF CAPACITOR CONNECTED TO TERMINAL 11.



BOTTOM VIEW

Figure 7-54. First I-F Plug-in Unit, Z701

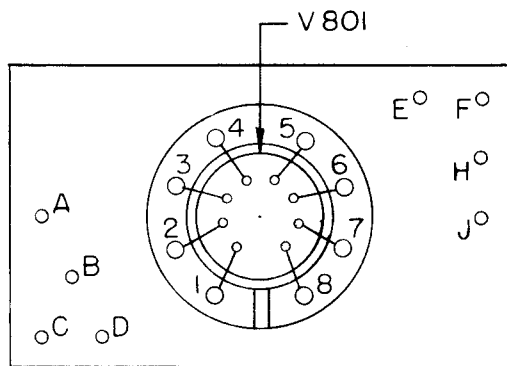


WIRE TABLE	
WIRE NO	DESCRIPTION
1-10 INCL	WIRE TINNED COPPER
15-22 INCL	SLEEVING .022 ID

NOTES

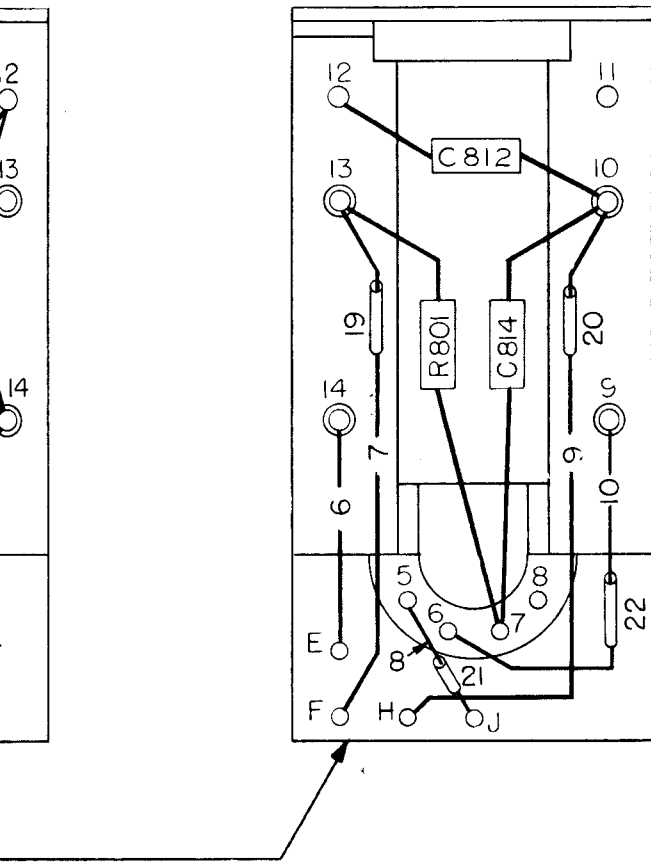
1. CRIMP & SOLDER ALL ELECT

3. NOS. IN WIRES REFER TO W



BOTTOM VIEW

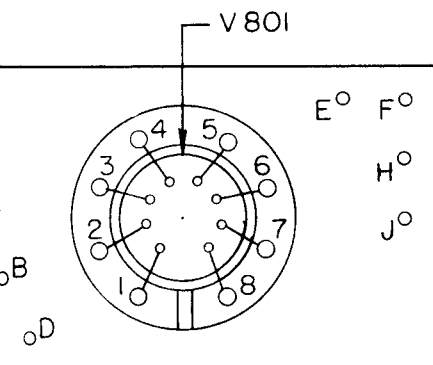
Figure 7-55. First I-F



WIRE TABLE	
WIRE NO	DESCRIPTION
1-10 INCL	WIRE TINNED COPPER .020 DIA
15-22 INCL	SLEEVING .022 I D

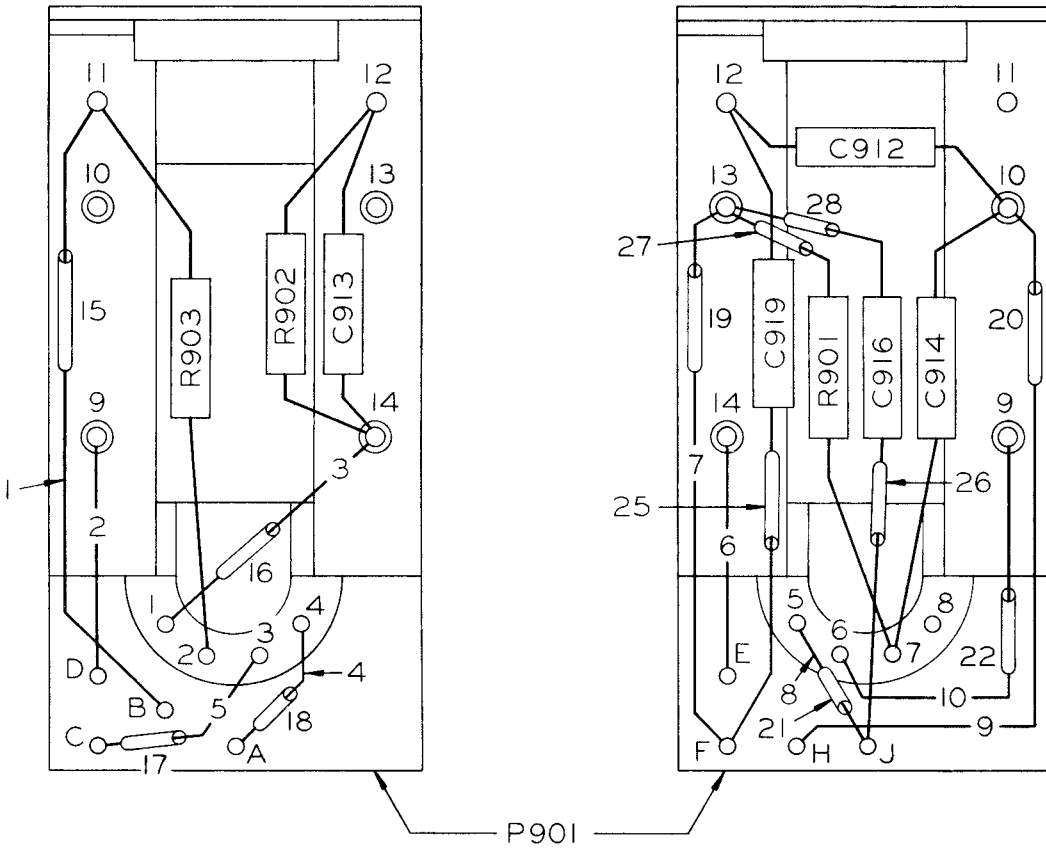
NOTES

1. CRIMP & SOLDER ALL ELECTRICAL CONNECTIONS
3. NOS. IN WIRES REFER TO WIRE TABLE.



BOTTOM VIEW

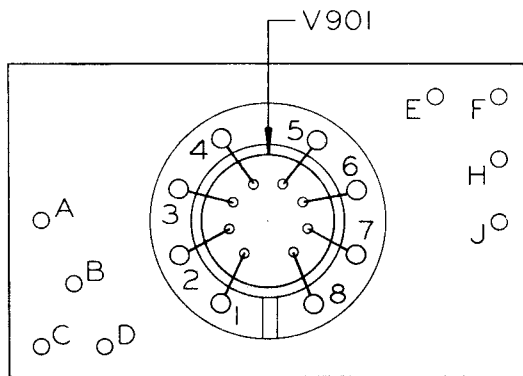
Figure 7-55. First I-F Plug-in Unit, Z801



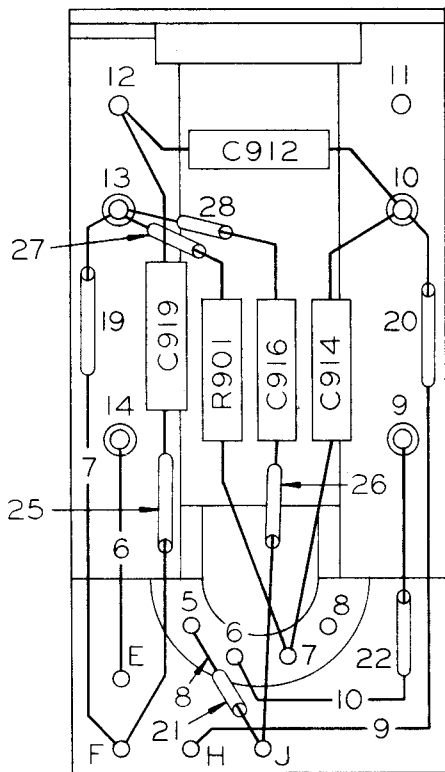
WIRE NO.	DES
1-10 INCL.	WIRE, TINNED
15-22 INCL.	SLEEVING .0
25-28 INCL.	SLEEVING .0

NOTES
1. CRIMP & SOLDER A

3. NUMBERS IN WIRES



BOTTOM VIEW

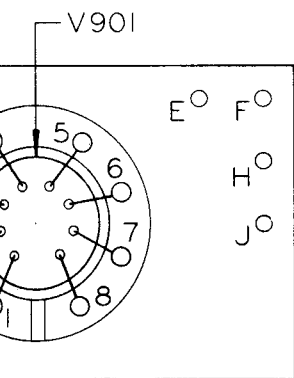


WIRE TABLE	
WIRE NO.	DESCRIPTION
1-10 INCL.	WIRE, TINNED COPPER .020 DIA.
15-22 INCL.	SLEEVING .022 I. D.
25-28 INCL.	SLEEVING .034 I. D.

— NOTES —

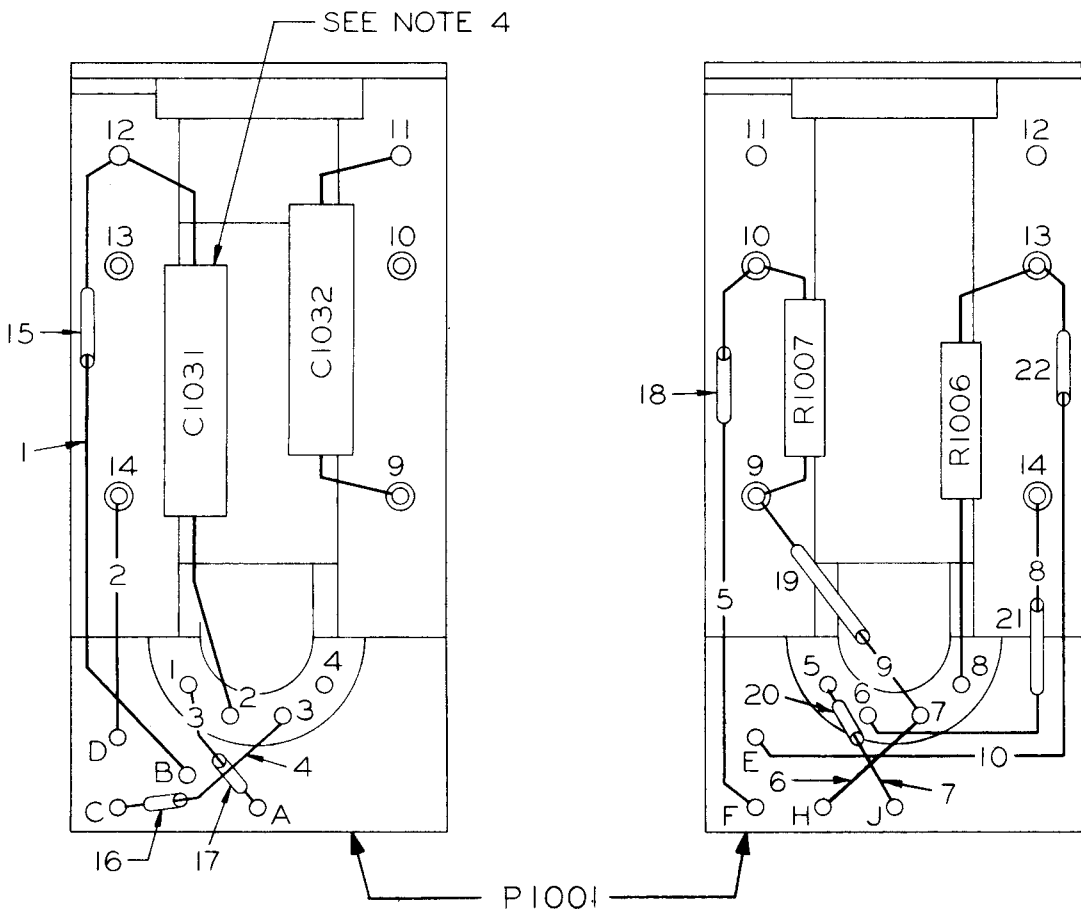
1. CRIMP & SOLDER ALL ELECTRICAL CONNECTIONS

3. NUMBERS IN WIRES REFER TO WIRE TABLE.



BOTTOM VIEW

Figure 7-56. First I-F Plug-in Unit, Z901



WIRE NO.	
1-10 INCL.	WIRE, TINNED
15-22 INCL.	SLEEVING

NOTES

1. CRIMP & SOLDER ALL WIRE ENDS TO TERMINALS
2. WIRE 10 TO BE SOLDERED TO TERMINAL 10
3. NUMBERS IN WIRES REFER TO WIRE NO.
4. CASE OF CAPACITOR TO BE SOLDERED TO TERMINALS

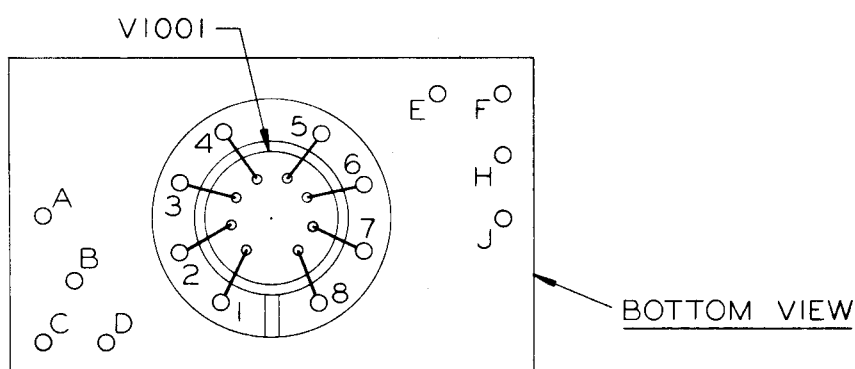
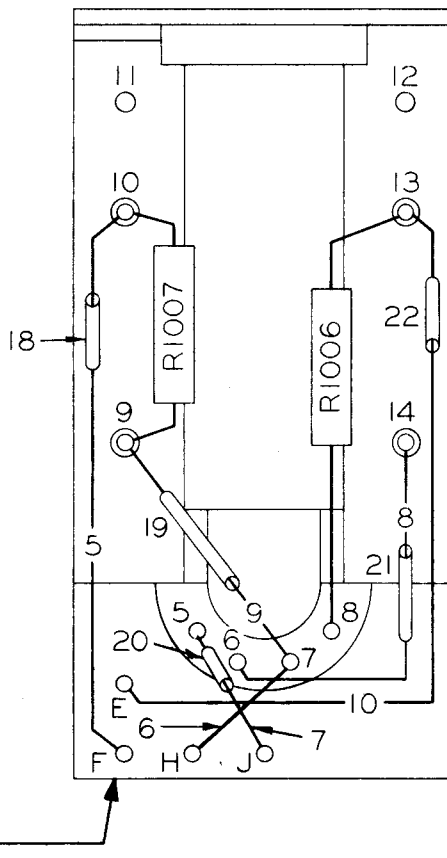


Figure 7-57.

4



WIRE TABLE	
WIRE NO.	DESCRIPTION
1-10 INCL.	WIRE, TINNED COPPER .020 DIA.
15-22 INCL.	SLEEVING .022 I.D.

NOTES

1. CRIMP & SOLDER ALL ELECTRICAL CONNECTIONS
3. NUMBERS IN WIRES REFER TO WIRE TABLE.
4. CASE OF CAPACITOR CONNECTED TO GROUND.

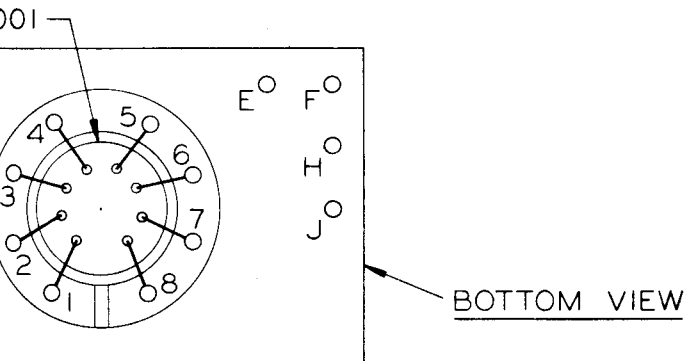
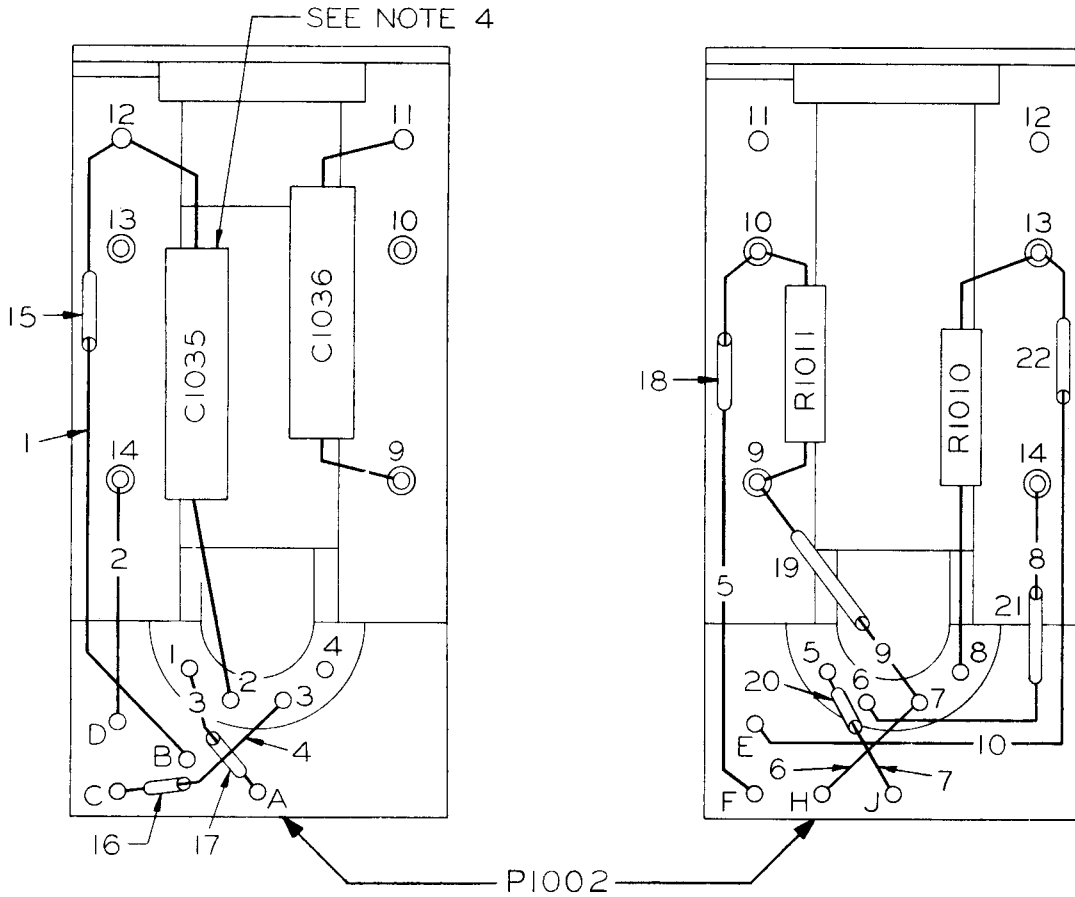


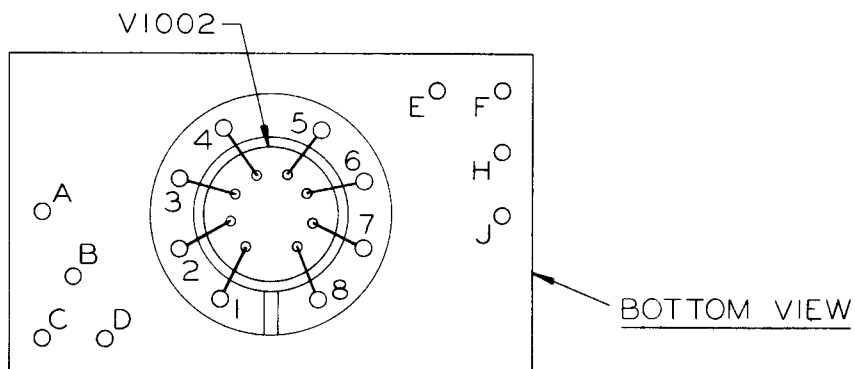
Figure 7-57. Second I-F Plug-in Unit, Z1004

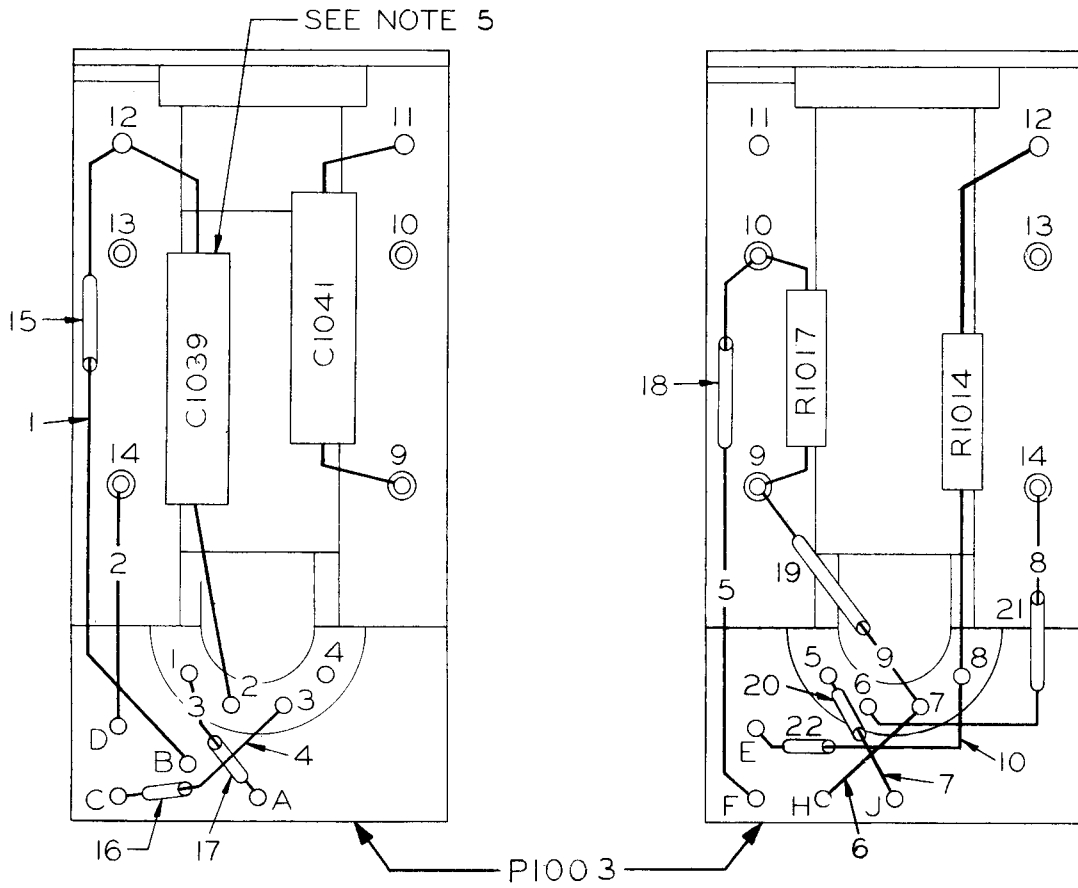


WIRE NO.	
1-10 INCL.	WIRE, TINNED
15-22 INCL.	SLEEVING

NOTES

1. CRIMP & SOLDER
3. NUMBERS IN WIRES
4. CASE OF CAPACITORS

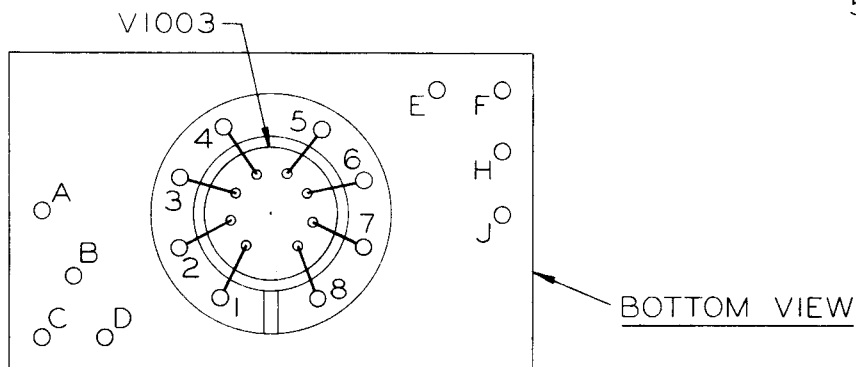


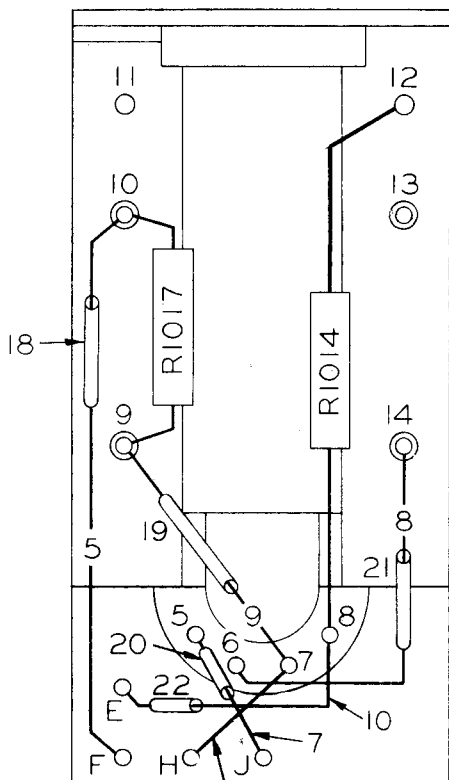


WIRE NO.	
1-10 INCL.	WIRE, TINNED
15-22 INCL.	SLEEVING

NOTES

1. CRIMP & SOLDER
3. NUMBERS IN WIRE
5. CASE OF CAPACITORS





WIRE TABLE	
WIRE NO.	DESCRIPTION
1-10 INCL.	WIRE, TINNED COPPER .020 DIA.
15-22 INCL.	SLEEVING .022 I.D.

NOTES

1. CRIMP & SOLDER ALL ELECTRICAL CONNECTIONS
3. NUMBERS IN WIRES REFER TO WIRE TABLE.
5. CASE OF CAPACITOR CONNECTED TO GROUND.

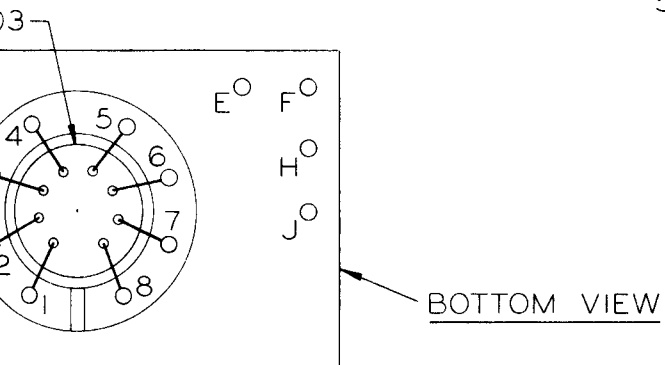
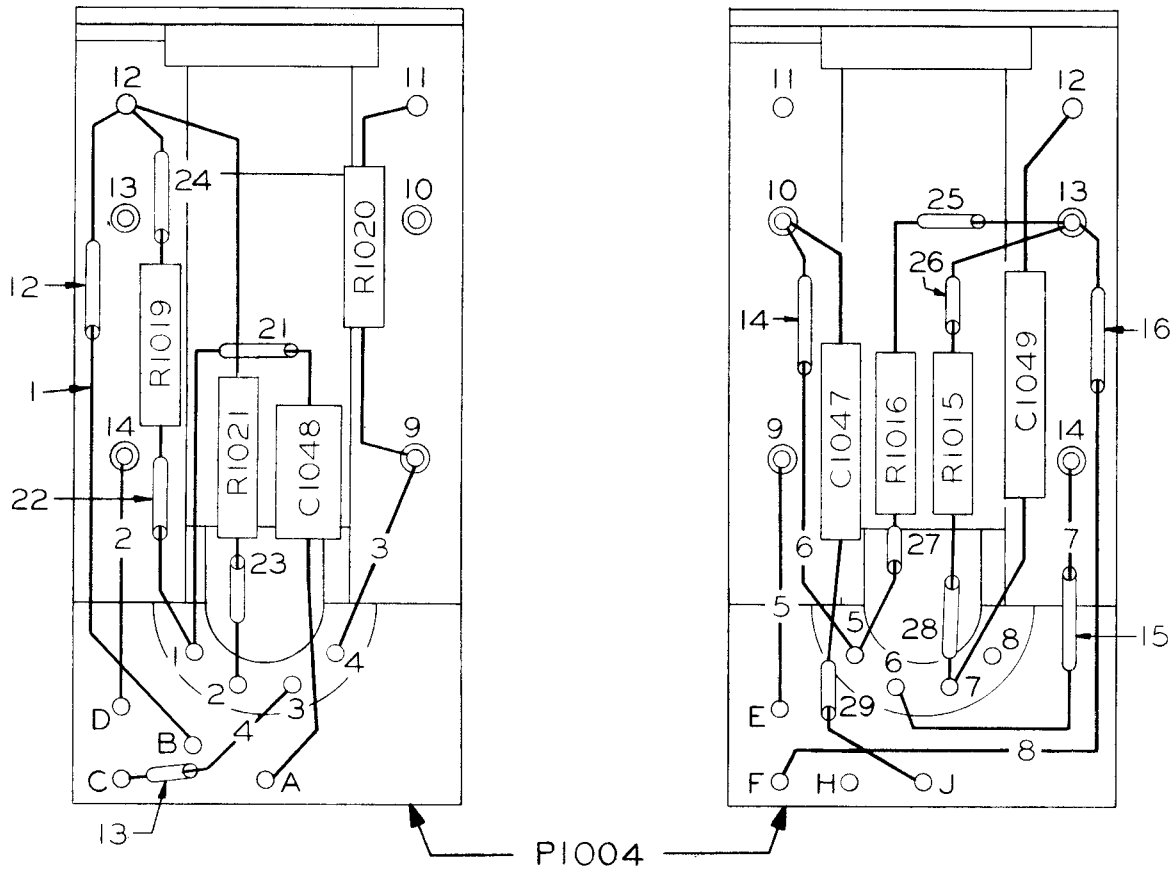


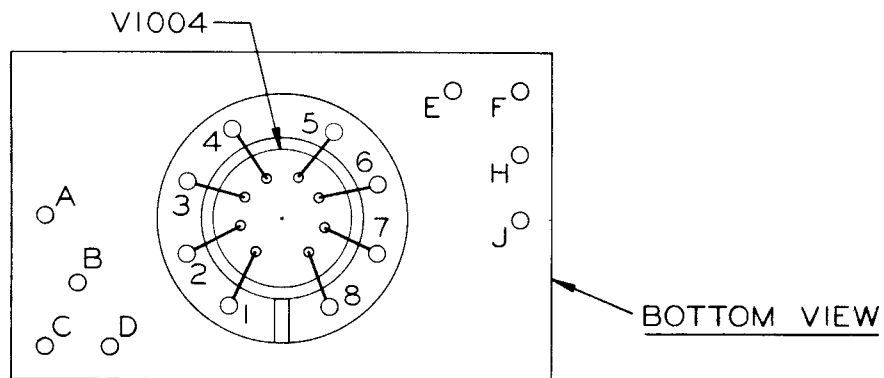
Figure 7-59. Second I-F Plug-in Unit, Z1008

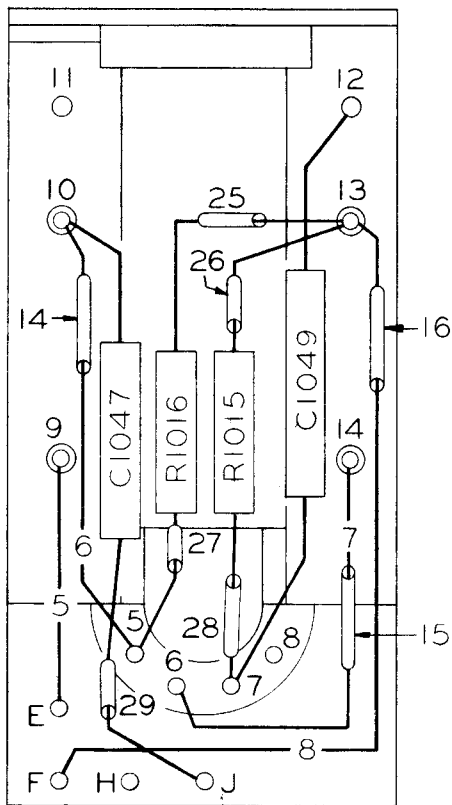


WIRE NO.	
1-8 INCL.	WIRE, TINNED
12-16 INCL.	SLEEVING
21-29 INCL.	SLEEVING

NOTES

- CRIMP & SOLDER
- NUMBERS IN WIRE





WIRE TABLE	
WIRE NO.	DESCRIPTION
1-8 INCL.	WIRE, TINNED COPPER .020 DIA.
12-16 INCL.	SLEEVING .022 I.D.
21-29 INCL.	SLEEVING .034 I.D.

NOTES

1. CRIMP & SOLDER ALL ELECTRICAL CONNECTIONS

3. NUMBERS IN WIRES REFER TO WIRE TABLE.

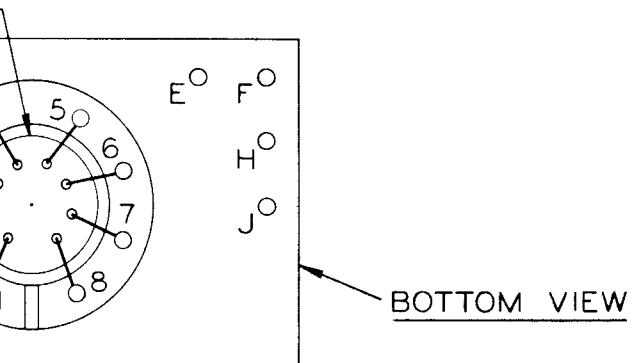
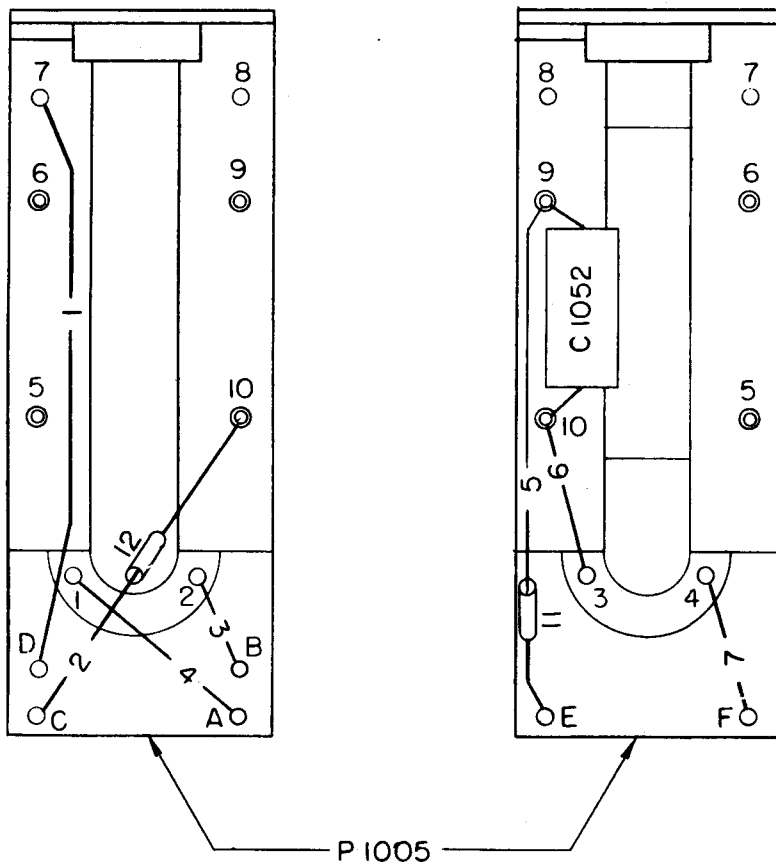


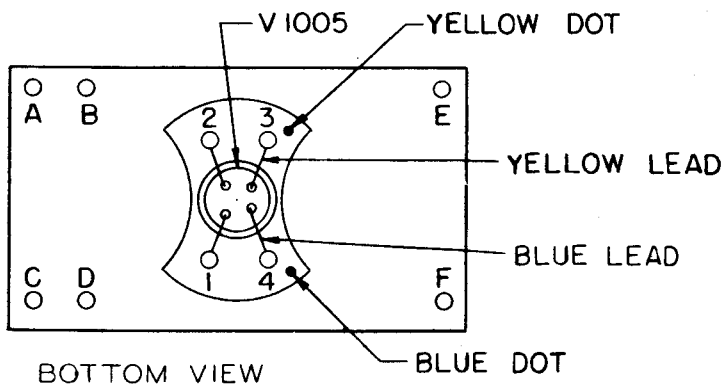
Figure 7-60. Second I-F Plug-in Unit, Z1010

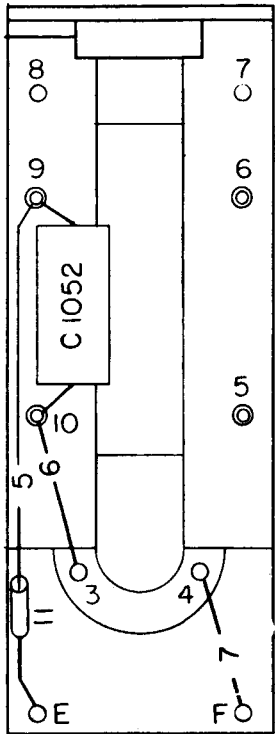


WIRE NO		
1-7	INCL	WIRE
11-12		SLEE

NOTES:

1. Crimp and
3. Numbers in
4. In type A numbers 1276 and components bearing serial numbers between V1005 and V1006 appear since V1005 diode in these un





WIRE TABLE	
WIRE NO	DESCRIPTION
1-7	INCL WIRE TINNED COPPER .020 DIA.
11-12	SLEEVING .022 I.D.

NOTES:

1. Crimp and solder all electrical connections.

3. Numbers in wires refer to wire table.

4. In type AN/SRR-11 equipments bearing serial numbers 1276 and above and type AN/SRR-13A equipments bearing serial numbers 1431 and up, connections between V1005 and pins 1 and 2 of the socket will not appear since V1005 represents a type 1N458 crystal diode in these units.

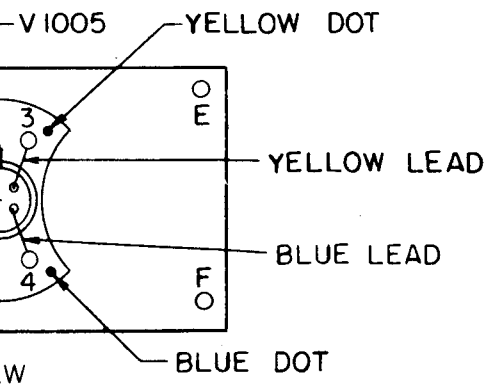
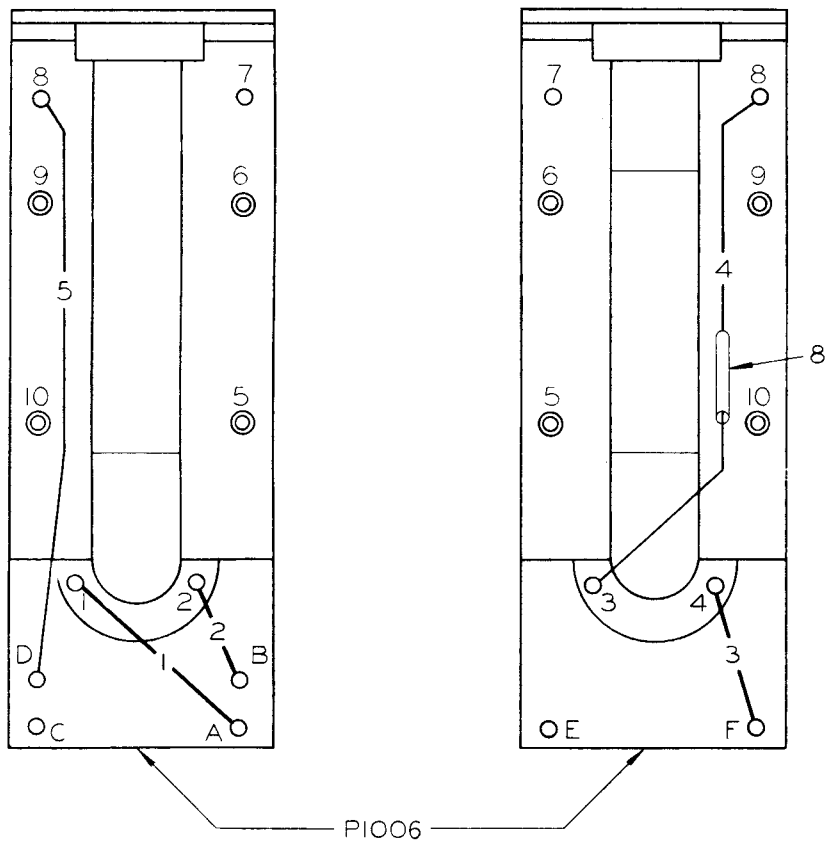


Figure 7-61. Second I-F Plug-in Unit, Z1012

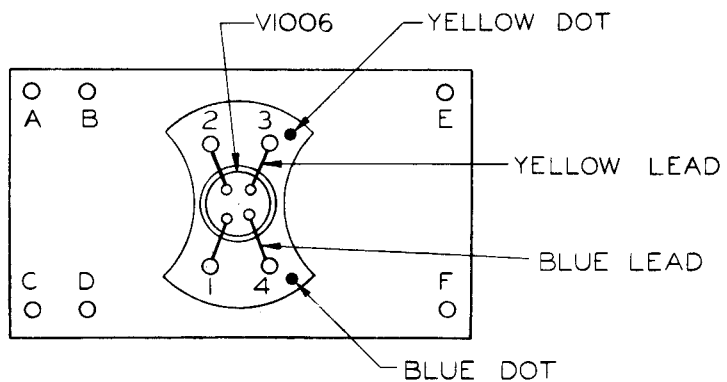


WIRE TABLE	
WIRE NO.	DESCRIPTION
1-5 INCL.	WIRE TINNED COPPER
8	SLEEVING

NOTES

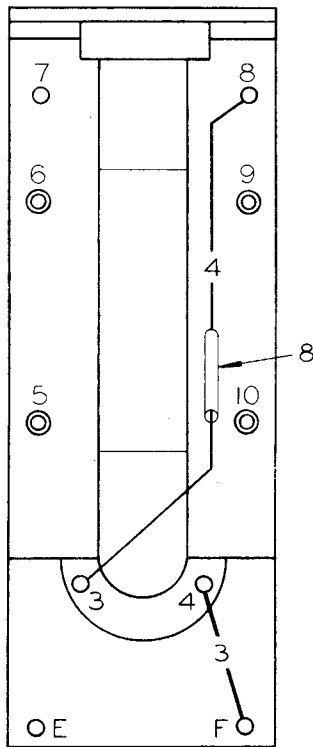
1. CRIMP & SOLDER ALL ELEMENTS

3. NUMBERS IN WIRES REFER TO



BOTTOM VIEW

Figure 7-62. Second



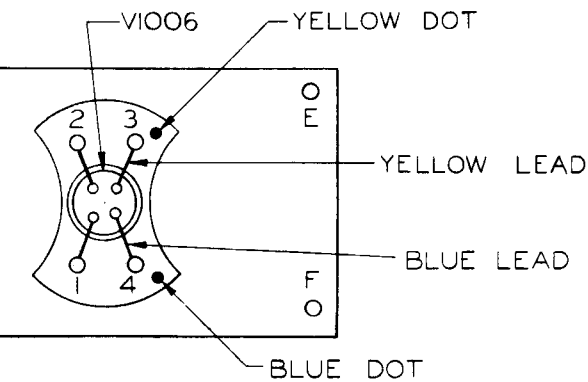
WIRE TABLE	
WIRE NO.	DESCRIPTION
1-5 INCL.	WIRE TINNED COPPER .020 DIA.
8	SLEEVING .022 I.D.

NOTES

1. CRIMP & SOLDER ALL ELECTRICAL CONNECTIONS

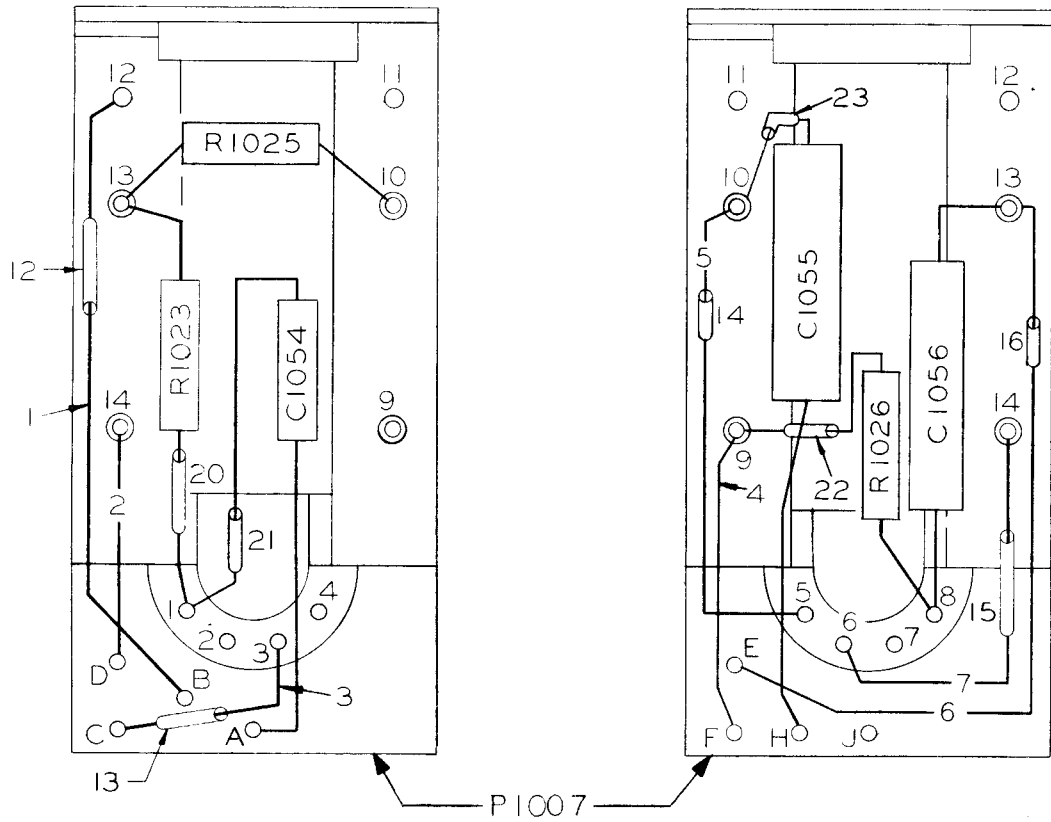
3. NUMBERS IN WIRES REFER TO WIRE TABLE.

PI006



BOTTOM VIEW

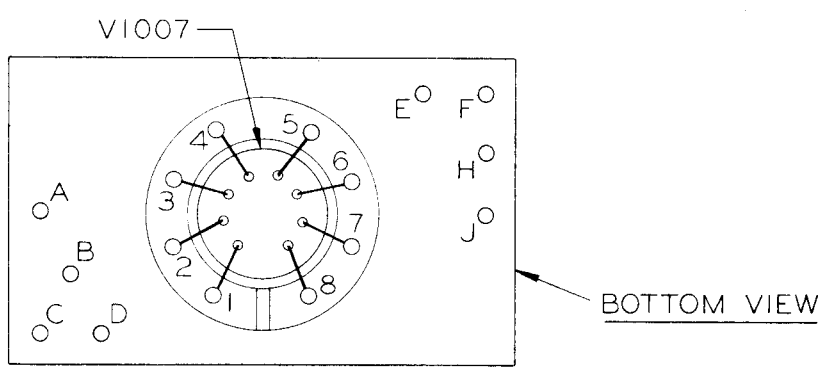
Figure 7-62. Second I-F Plug-in Unit, Z1013

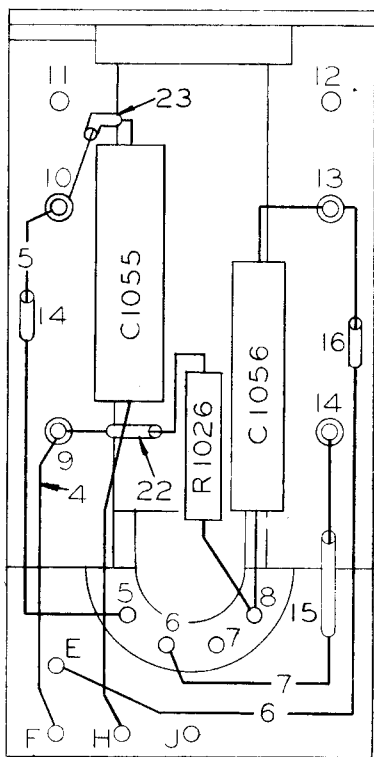


WIRE NO.	
1-7 INCL.	WIRE, T
12-16 INCL.	SLEEVE
20-22 INCL.	SLEEVE

NOTES

- 1. CRIMP & SOLDER
- 3. NUMBERS IN W





WIRE TABLE	
WIRE NO.	DESCRIPTION
1-7 INCL.	WIRE, TINNED COPPER .020 DIA.
12-16 INCL.	SLEEVING .022 I.D.
20-22 INCL.	SLEEVING .034 I.D.

NOTES

1. CRIMP & SOLDER ALL ELECTRICAL CONNECTIONS

3. NUMBERS IN WIRES REFER TO WIRE TABLE.

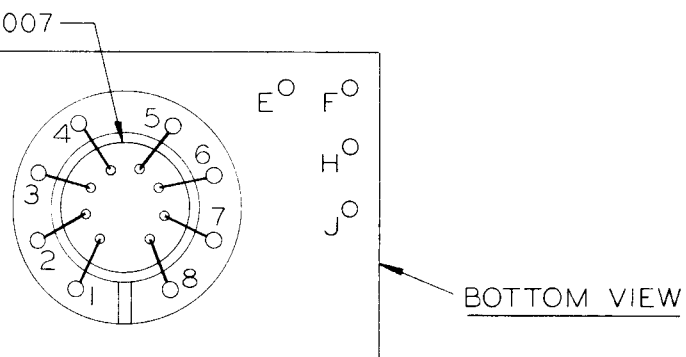
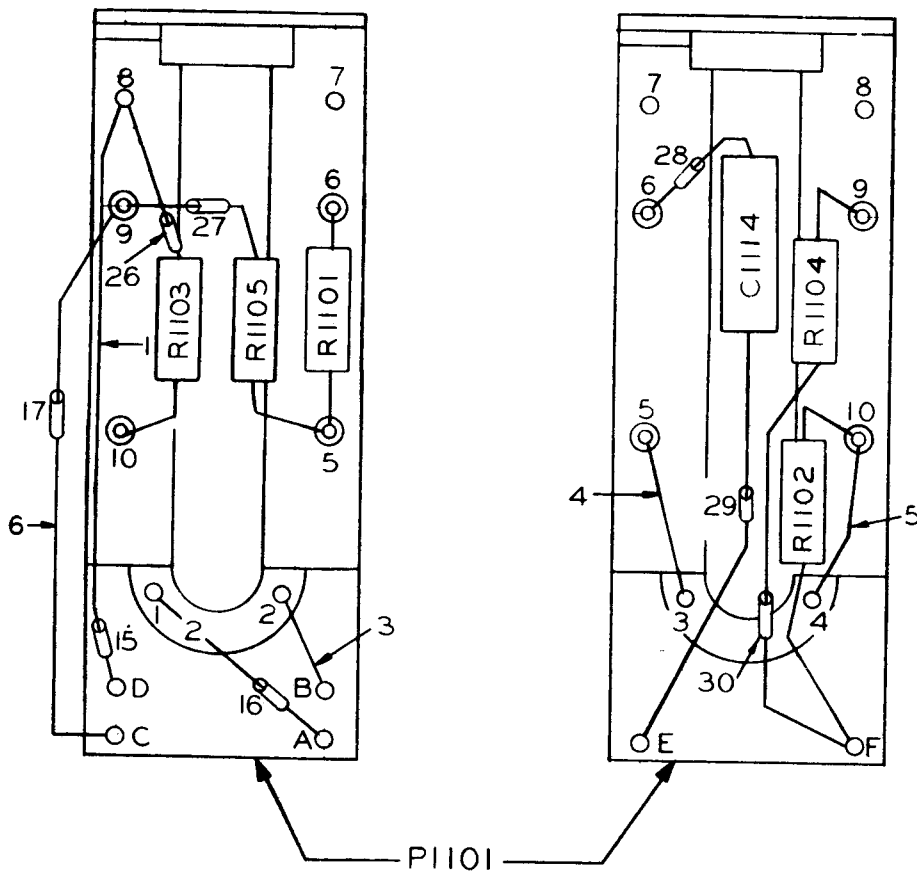


Figure 7-63. Second I-F Plug-in Unit, Z1014

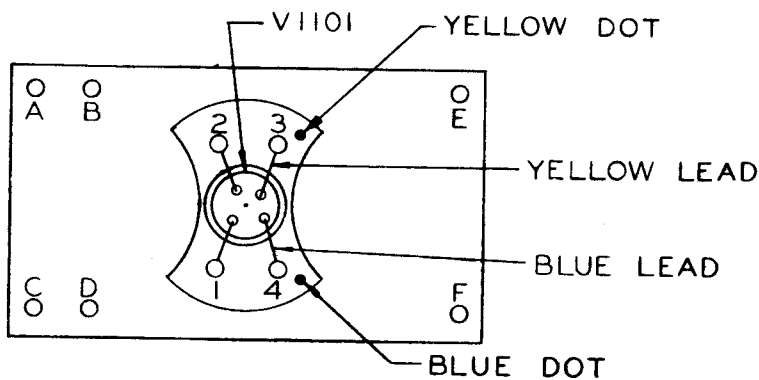
NAVSHIPS 91875(A)

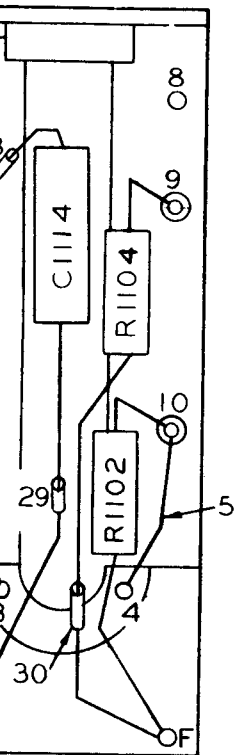


WIRE TABLE	
WIRE NO.	DESC
1-6 INCL.	WIRE-TINNED
15-17 INCL.	SLEEVING .02
26-30 INCL.	SLEEVING .03

NOTES:

1. Crimp and solder all electrical connections.
3. Numbers in wires refer to wire table.
4. In type AN/SRR-11 equipment, units bearing serial numbers 1276 and above and type AN/SRR-11 units bearing serial numbers 1400 and above will not appear since V1101 represents a diode in these units.





WIRE TABLE	
WIRE NO.	DESCRIPTION
1-6 INCL.	WIRE-TINNED COPPER .020 DIA.
15-17 INCL.	SLEEVING .022 I.D.
26-30 INCL.	SLEEVING .034 I.D.

NOTES:

1. Crimp and solder all electrical connections.
3. Numbers in wires refer to wire table.

4. In type AN/SRR-11 equipments bearing serial numbers 1276 and above and type AN/SRR-13A equipments bearing serial numbers 1431 and up, connections between V1101 and pins 1 and 2 of the socket will not appear since V1101 represents a type 1N458 crystal diode in these units.

YELLOW DOT

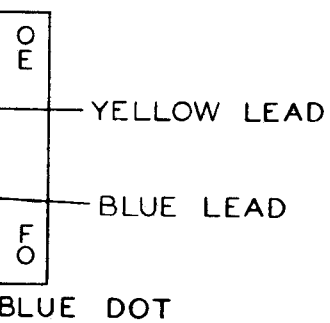
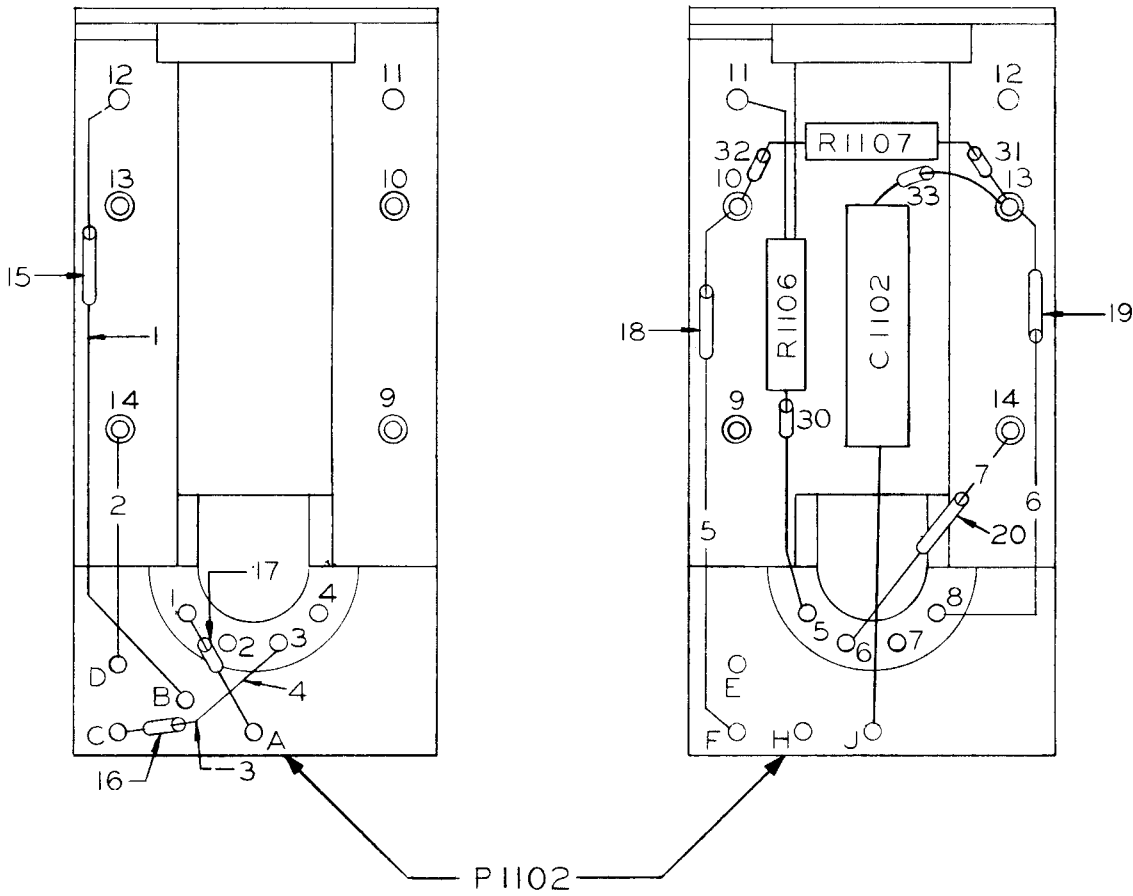


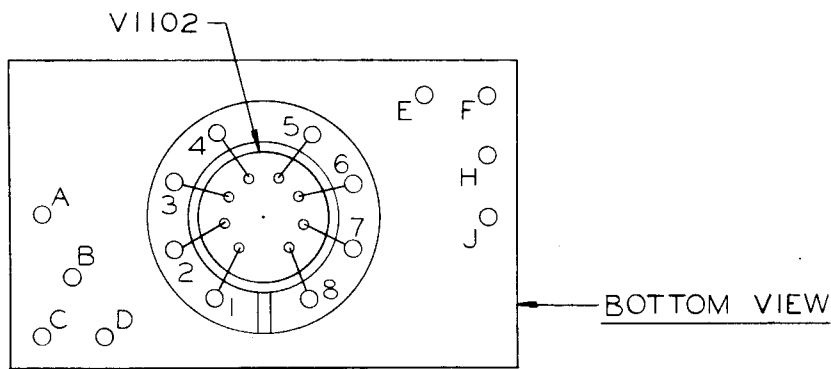
Figure 7-64. A-F Plug-in Unit, Z1101

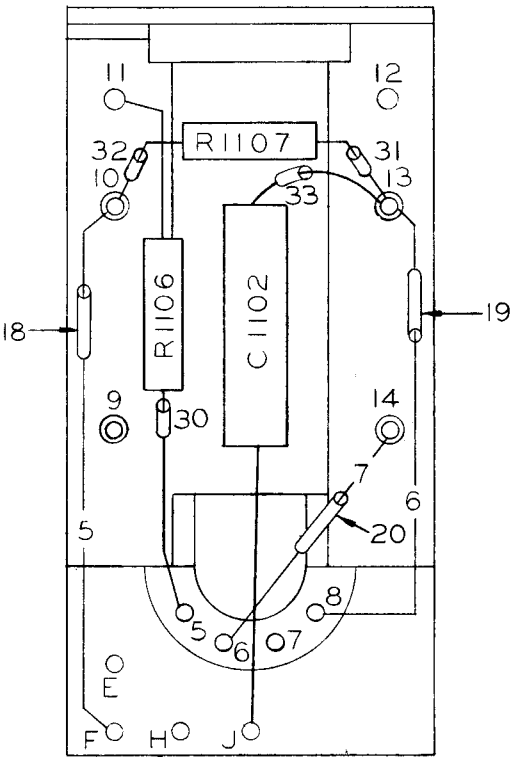


WIRE TA	
WIRE NO.	DE
1-7 INCL.	WIRE-TINNE
15-20 INCL.	SLEEVING
30-33 INCL.	SLEEVING

NOTES:

- 1. CRIMP & SOLDER A
- 3. NUMBERS IN WIRE





WIRE TABLE	
WIRE NO.	DESCRIPTION
1-7 INCL.	WIRE-TINNED COPPER .020 DIA.
15-20 INCL.	SLEEVING 022 I.D.
30-33 INCL.	SLEEVING 034 I.D.

NOTES:

1. CRIMP & SOLDER ALL ELECTRICAL CONNECTIONS

3. NUMBERS IN WIRES REFER TO WIRE TABLE.

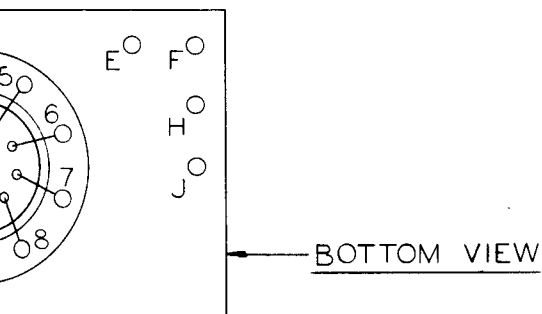
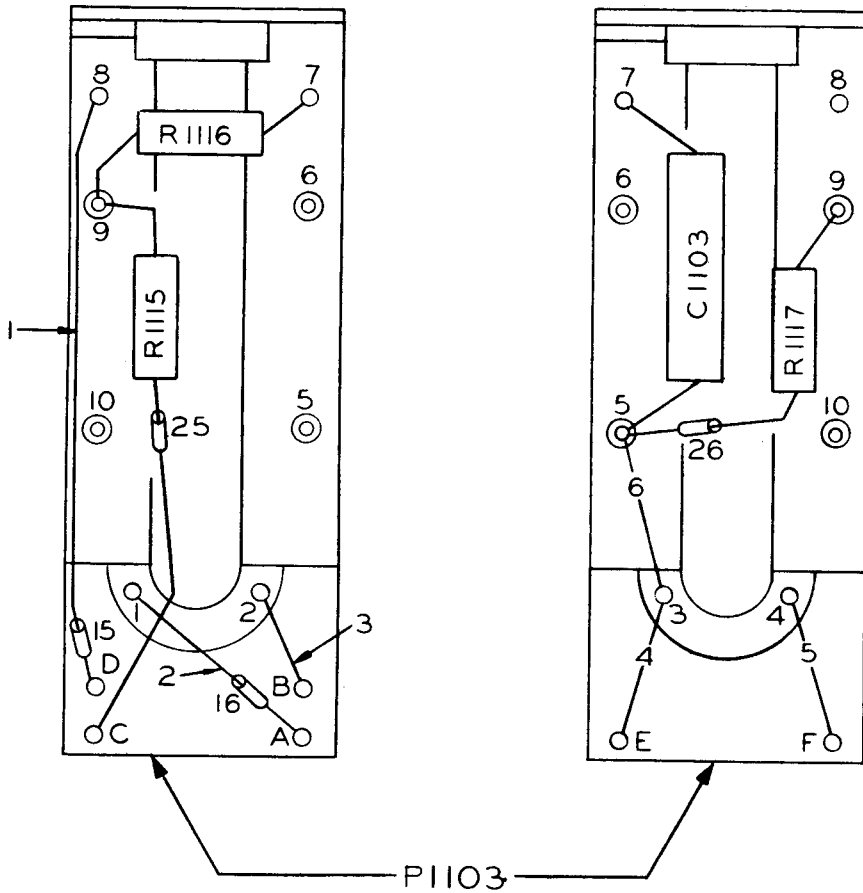


Figure 7-65. A-F Plug-in Unit, Z1102

NAVSHIPS 91875(A)



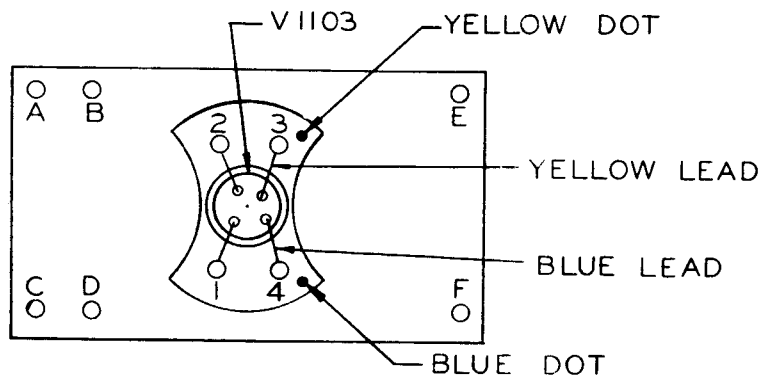
WIRE TABLE	
WIRE NO.	DES
1-6 INCL	WIRE-TINNE
15-16	SLEEVING
25-26	SLEEVING

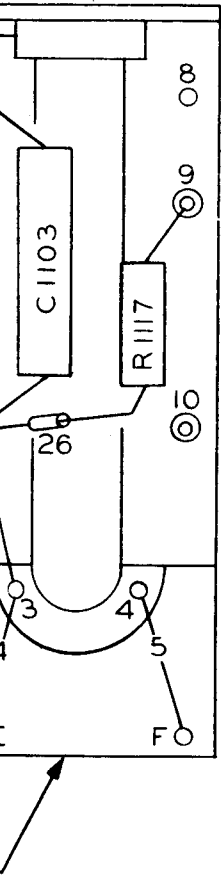
NOTES:

1. Crimp and solder all

3. Numbers in wires refer

4. In type AN/SRR-11 numbers 1276 and above and components bearing serial numbers between V1103 and pins 1 and 2 appear since V1103 represents a diode in these units.





WIRE TABLE	
WIRE NO.	DESCRIPTION
1-6 INCL.	WIRE-TINNED COPPER .020 DIA.
15-16	SLEEVING .022 ID.
25-26	SLEEVING .034 ID.

NOTES:

1. Crimp and solder all electrical connections.
3. Numbers in wires refer to wire table.
4. In type AN/SRR-11 equipments bearing serial numbers 1276 and above and type AN/SRR-13A equipments bearing serial numbers 1431 and up, connections between V1103 and pins 1 and 2 of the socket will not appear since V1103 represents a type 1N458 crystal diode in these units.

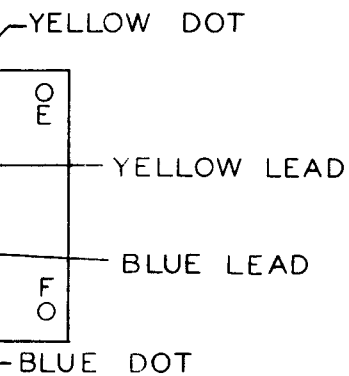
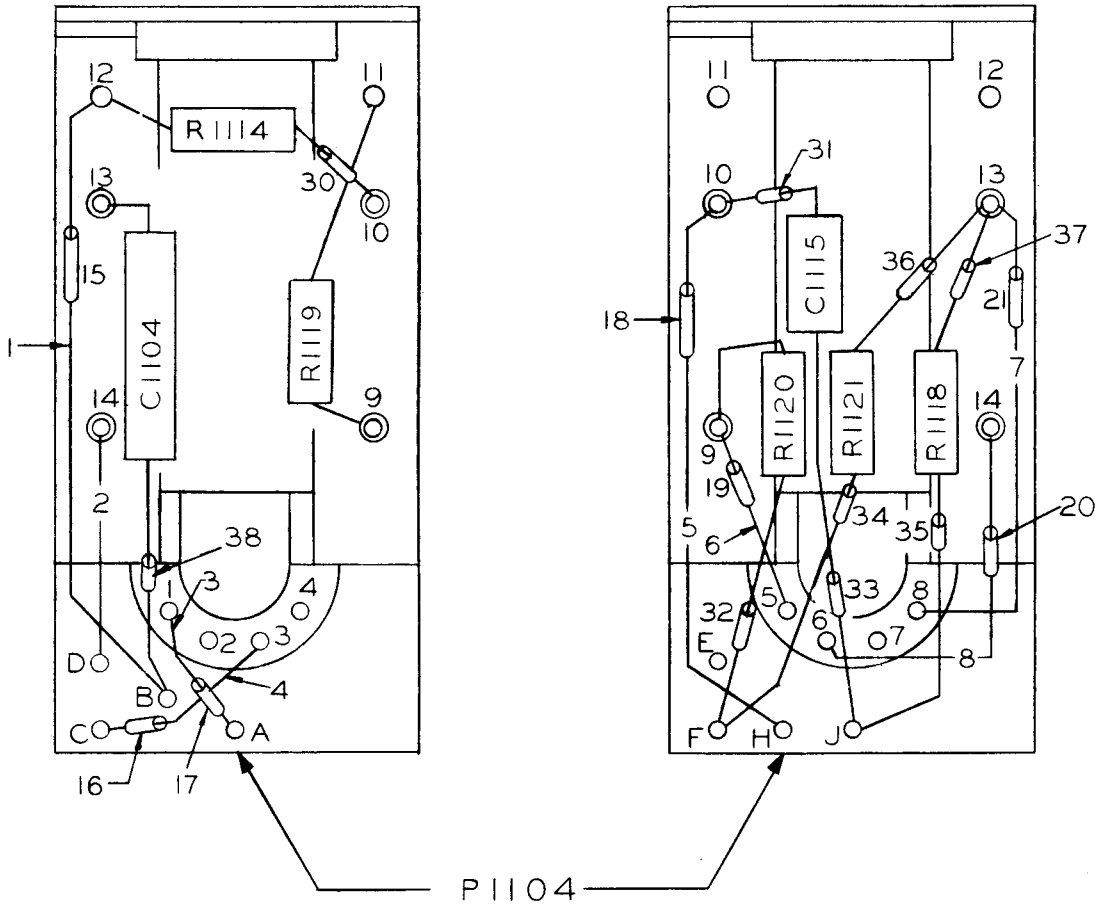


Figure 7-66. A-F Plug-in Unit, Z1103

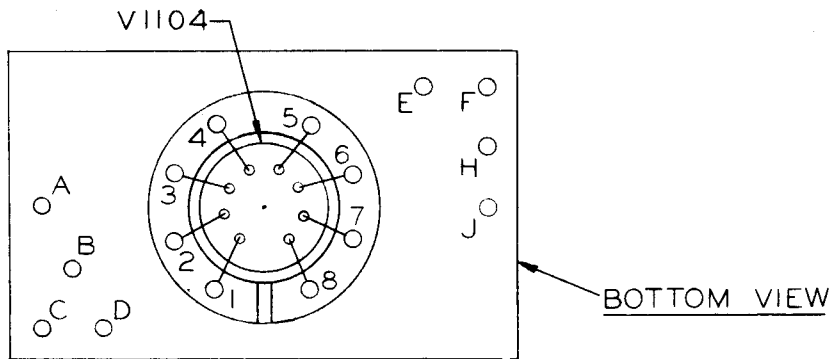


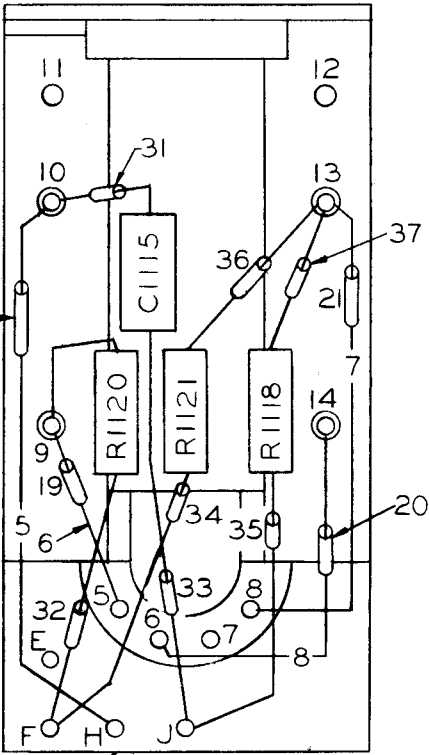
WIRE TABLE	
WIRE NO.	DESC
1-8 INCL.	WIRE-TINNED
15-21 INCL.	SLEEVING .0
30-38 INCL.	SLEEVING .0

NOTES:

1. CRIMP & SOLDER A

3. NUMBERS IN WIRES





WIRE TABLE	
WIRE NO.	DESCRIPTION
1-8 INCL.	WIRE - TINNED COPPER .020 DIA.
15-21 INCL.	SLEEVING .022 I.D.
30-38 INCL.	SLEEVING .034 I.D.

NOTES:

1. CRIMP & SOLDER ALL ELECTRICAL CONNECTIONS

3. NUMBERS IN WIRES REFER TO WIRE TABLE.

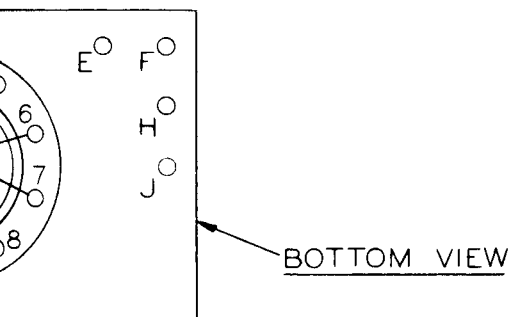
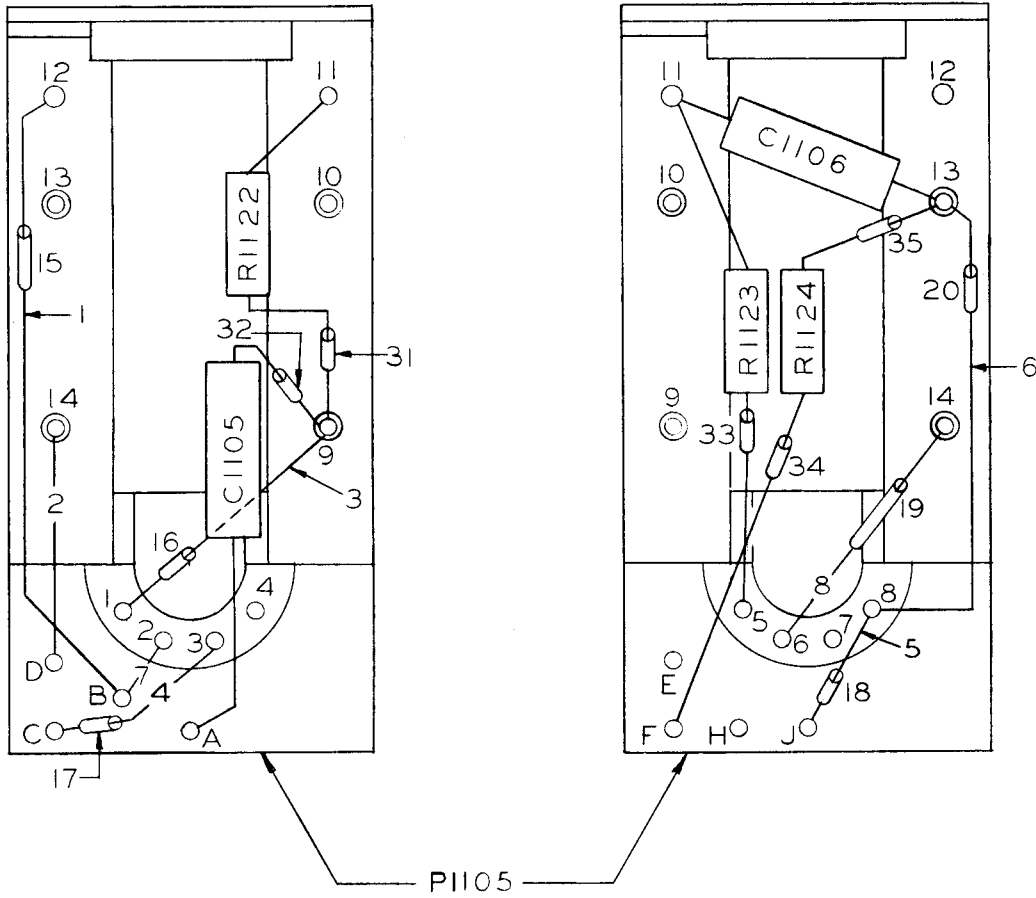
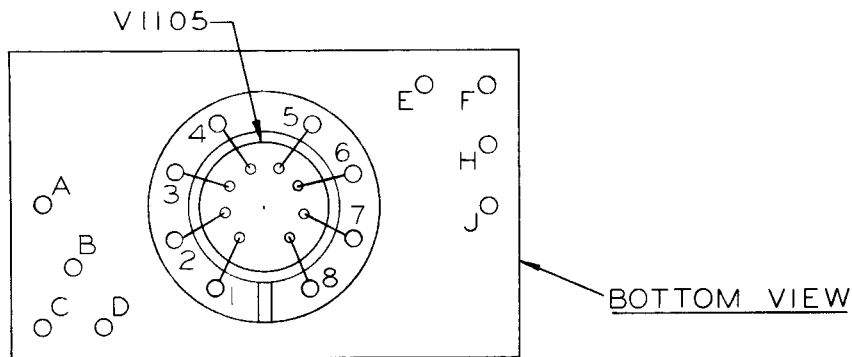


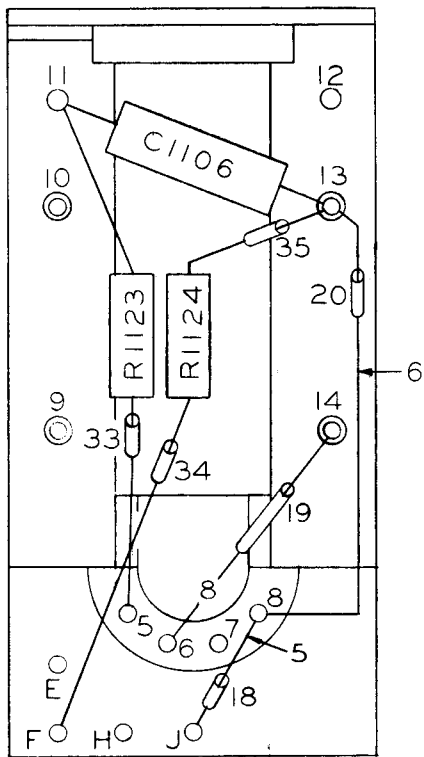
Figure 7-67. A-F Plug-in Unit, Z1104



WIRE TABLE		
WIRE NO.		DE.
1-8	INCL	WIRE - TINNE
15-20	INCL	SLEEVING
31-35	INCL	SLEEVING

- NOTES:
1. CRIMP & SOLDER A
3. NUMBERS IN WIRE





WIRE TABLE	
WIRE NO.	DESCRIPTION
1-8 INCL.	WIRE - TINNED COPPER .020 DIA.
15-20 INCL.	SLEEVING .022 I.D.
31-35 INCL.	SLEEVING .034 I.D.

NOTES:

1. CRIMP & SOLDER ALL ELECTRICAL CONNECTIONS

3. NUMBERS IN WIRES REFER TO WIRE TABLE

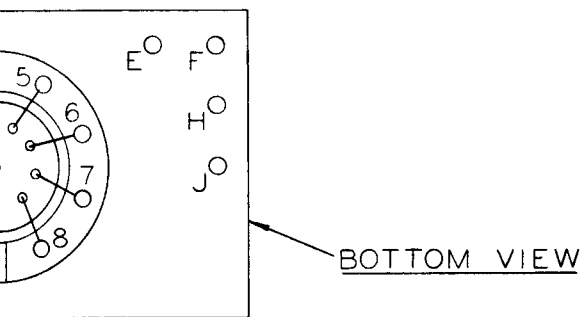
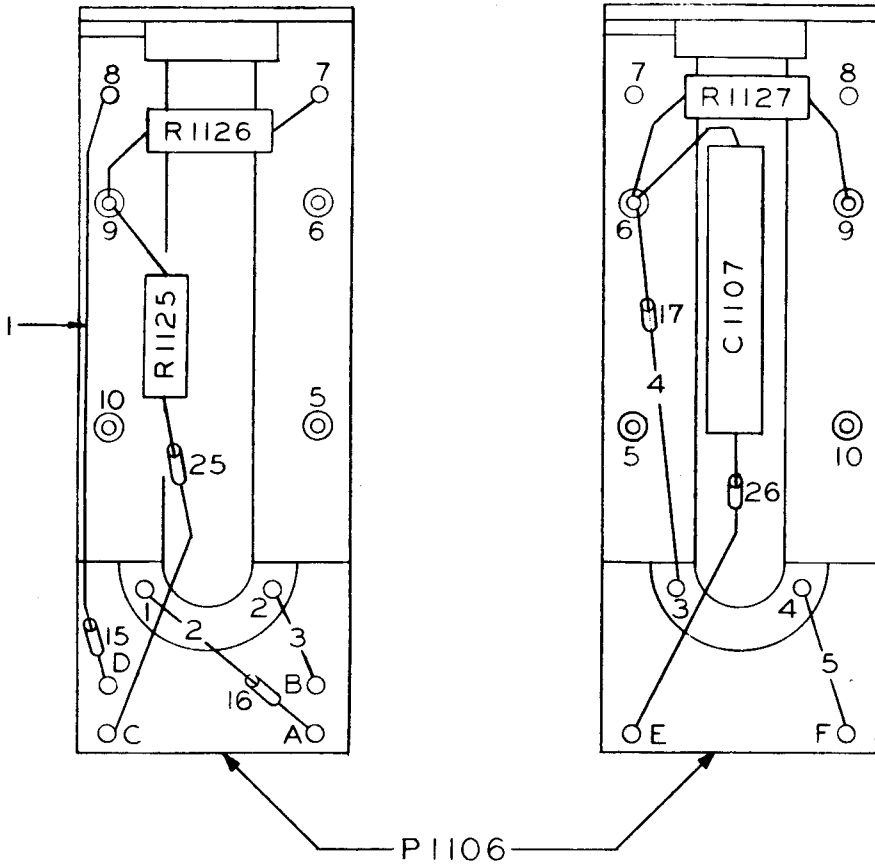


Figure 7-68. A-F Plug-in Unit, Z1105

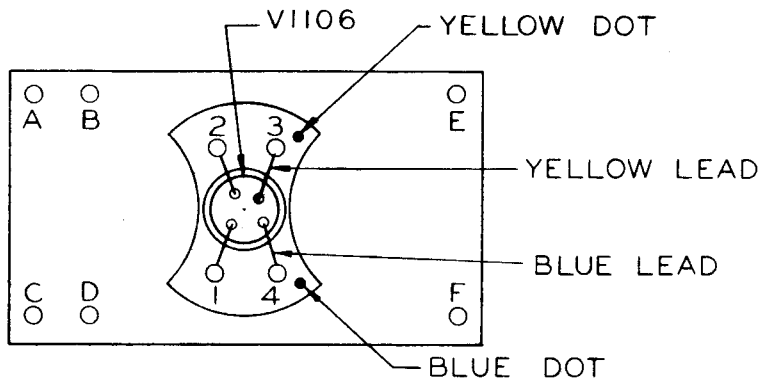
NAVSHIPS 91875(A)

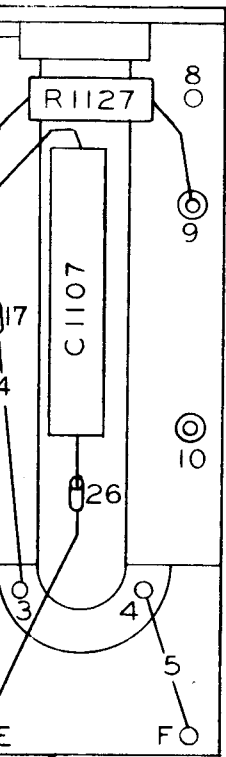


WIRE TABLE	
WIRE NO.	DES
1-5 INCL	WIRE - TINNE
15-17 INCL	SLEEVING (
25-26	SLEEVING (

NOTES:

1. Crimp and solder all el
3. Numbers in wires refer t
4. In type AN/SRR-11 e
numbers 1276 and above and
ments bearing serial numbers
between V1106 and pins 1 and
appear since V1106 represen
diode in these units.





WIRE TABLE	
WIRE NO.	DESCRIPTION
1-5 INCL.	WIRE-TINNED COPPER .020 DIA.
15-17 INCL.	SLEEVING .022 I.D.
25-26	SLEEVING .034 I.D.

NOTES:

1. Crimp and solder all electrical connections.
3. Numbers in wires refer to wire table.
4. In type AN/SRR-11 equipments bearing serial numbers 1276 and above and type AN/SRR-13A equipments bearing serial numbers 1431 and up, connections between V1106 and pins 1 and 2 of the socket will not appear since V1106 represents a type 1N458 crystal diode in these units.

— YELLOW DOT

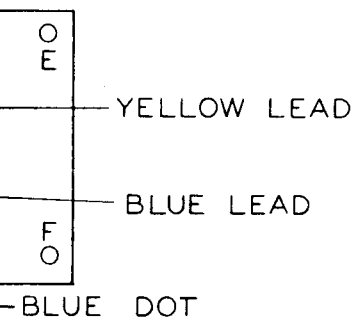
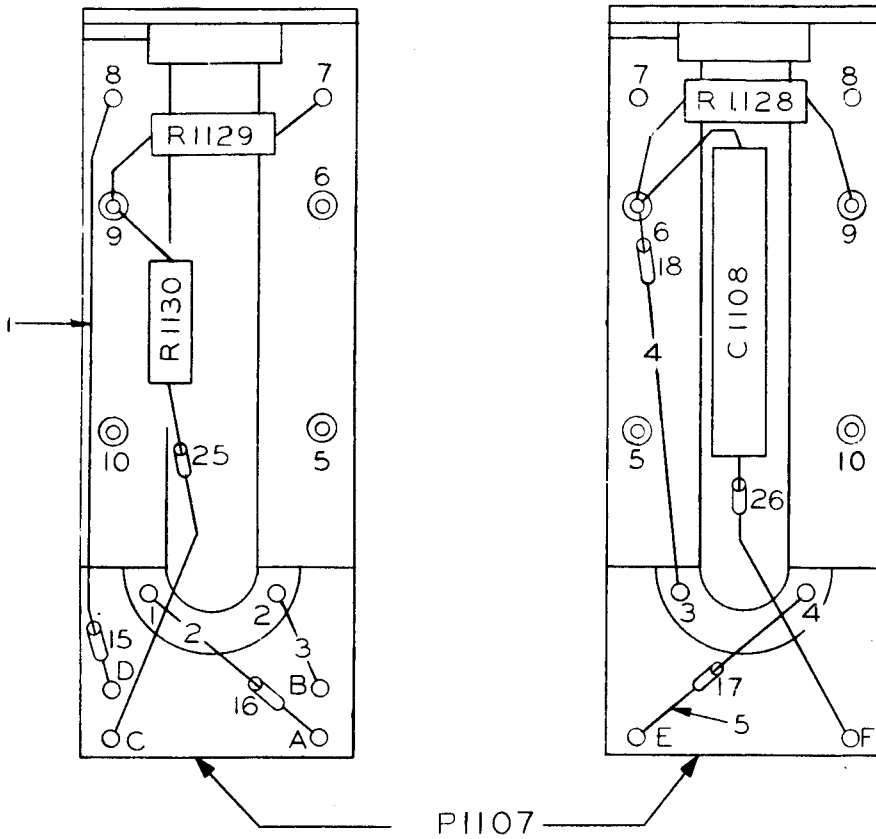


Figure 7-69. A-F Plug-in Unit, Z1106

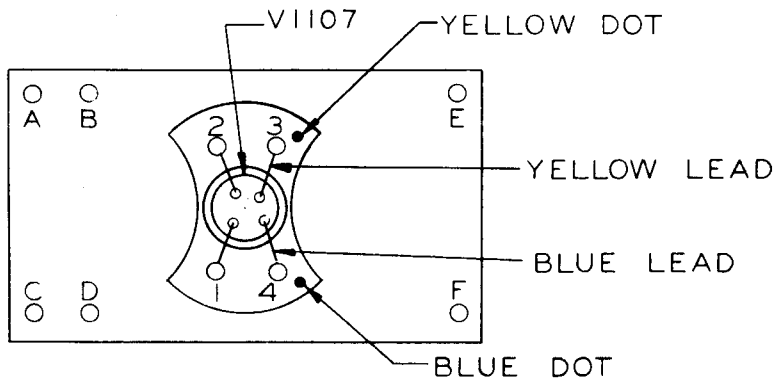
NAVSHIPS 91875(A)



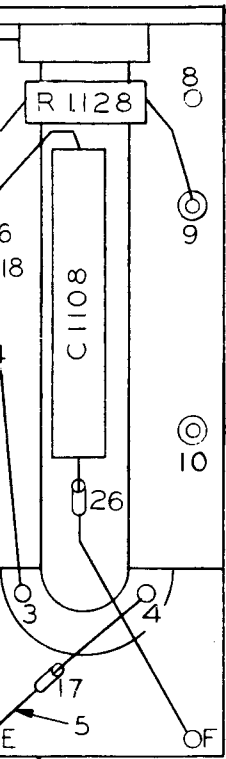
WIRE TABLE	
WIRE NO	DES
1-5 INCL	WIRE-TINNE
15-18 INCL	SLEEVING C
25-26	SLEEVING C

NOTES:

1. Crimp and solder a
3. Numbers in wires re
4. In type AN/SRR-1 numbers 1276 and above elements bearing serial numbers between V1107 and pins appear since V-1107 rep diode in these units.



(A)



WIRE TABLE	
WIRE NO	DESCRIPTION
1-5 INCL	WIRE-TINNED COPPER .020 DIA.
15-18 INCL	SLEEVING 022 I.D.
25-26	SLEEVING 034 I.D.

NOTES:

1. Crimp and solder all electrical connections.
3. Numbers in wires refer to wire table.
4. In type AN/SRR-11 equipments bearing serial numbers 1276 and above and type AN/SRR-13A equipments bearing serial numbers 1431 and up, connections between V1107 and pins 1 and 2 of the socket will not appear since V-1107 represents a type 1N458 crystal diode in these units.

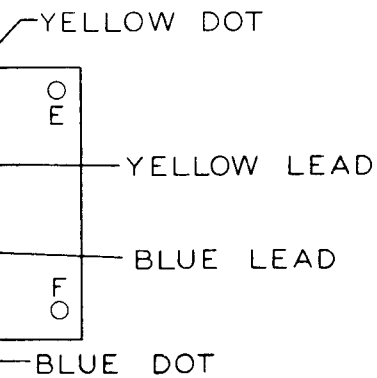
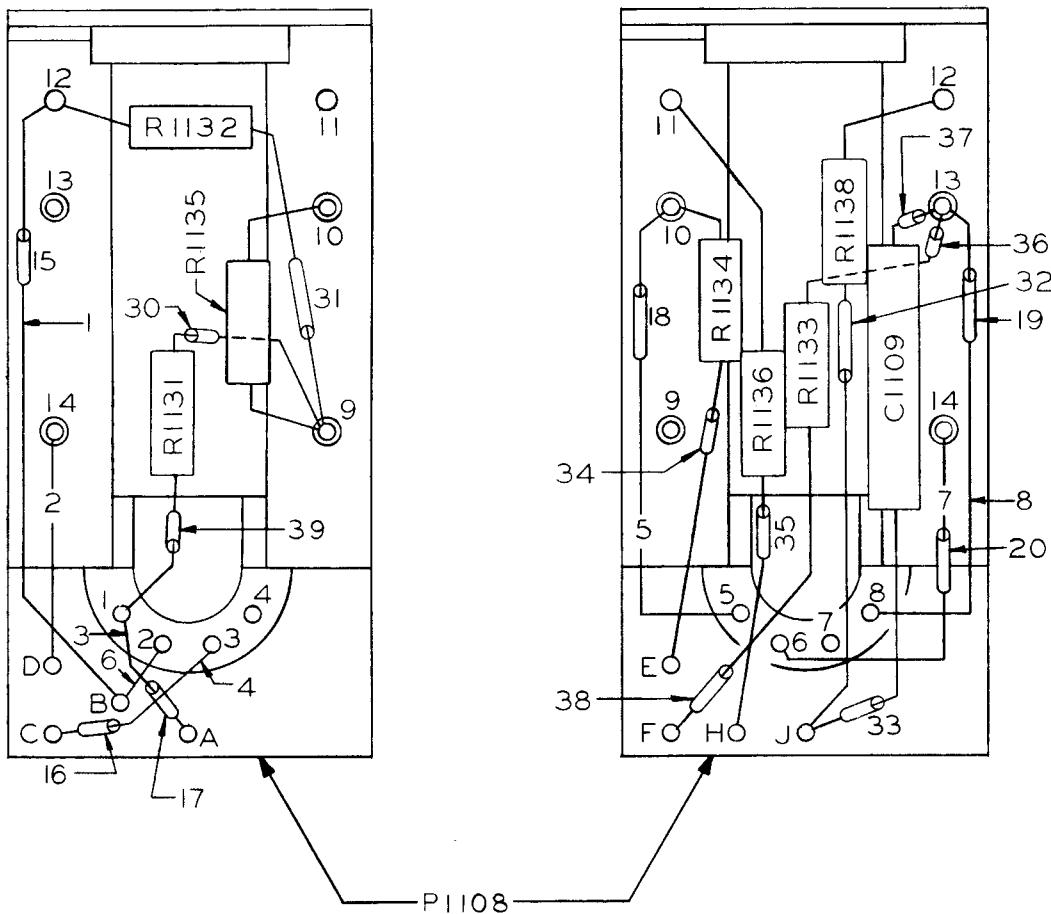


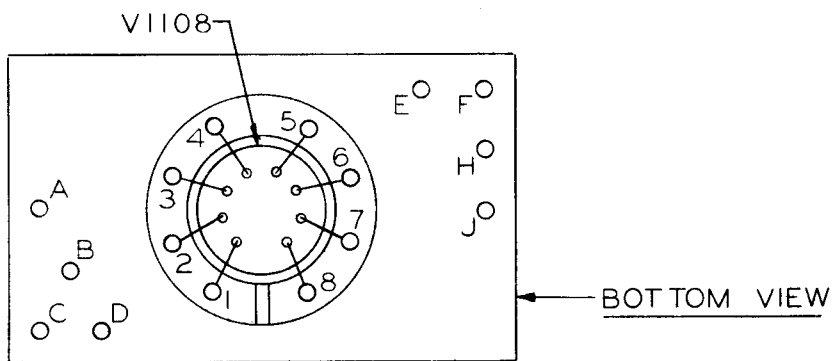
Figure 7-70. A-F Plug-in Unit, Z1107

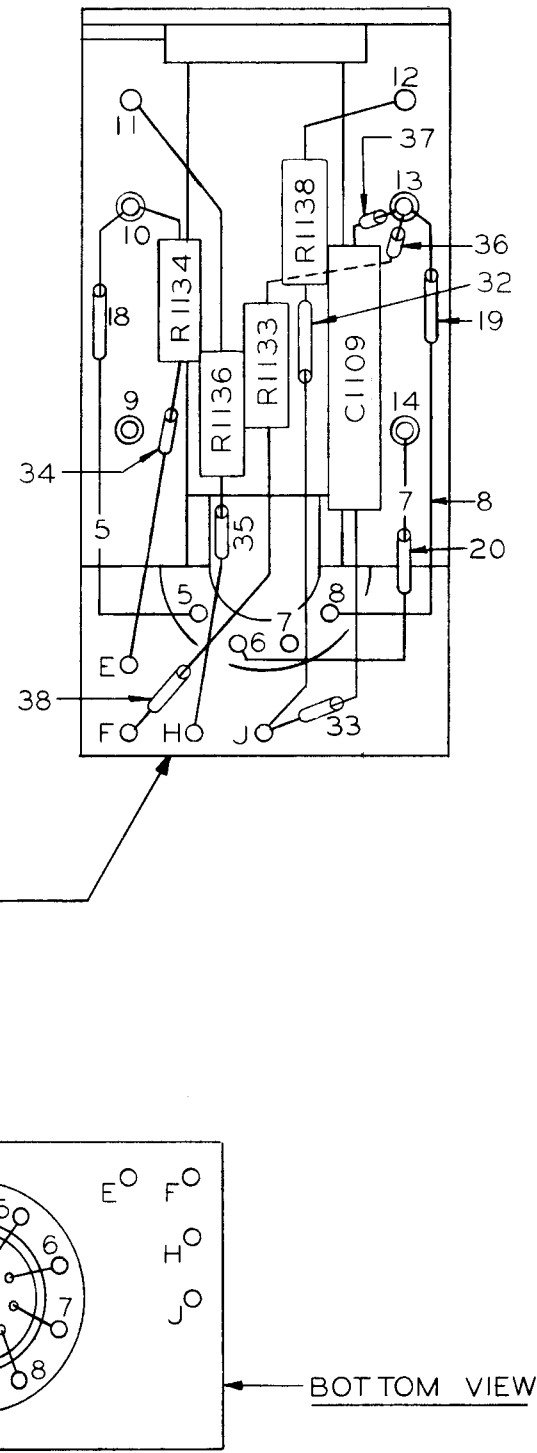


WIRE TABLE	
WIRE NO.	DESCRIPTION
1-8 INCL	WIRE-TINNED COPPER
15-20 INCL	SLEEVING .022 I.D.
30-39 INCL	SLEEVING .034 I.D.

NOTES:
1. CRIMP & SOLDER ALL

3. NUMBERS IN WIRES





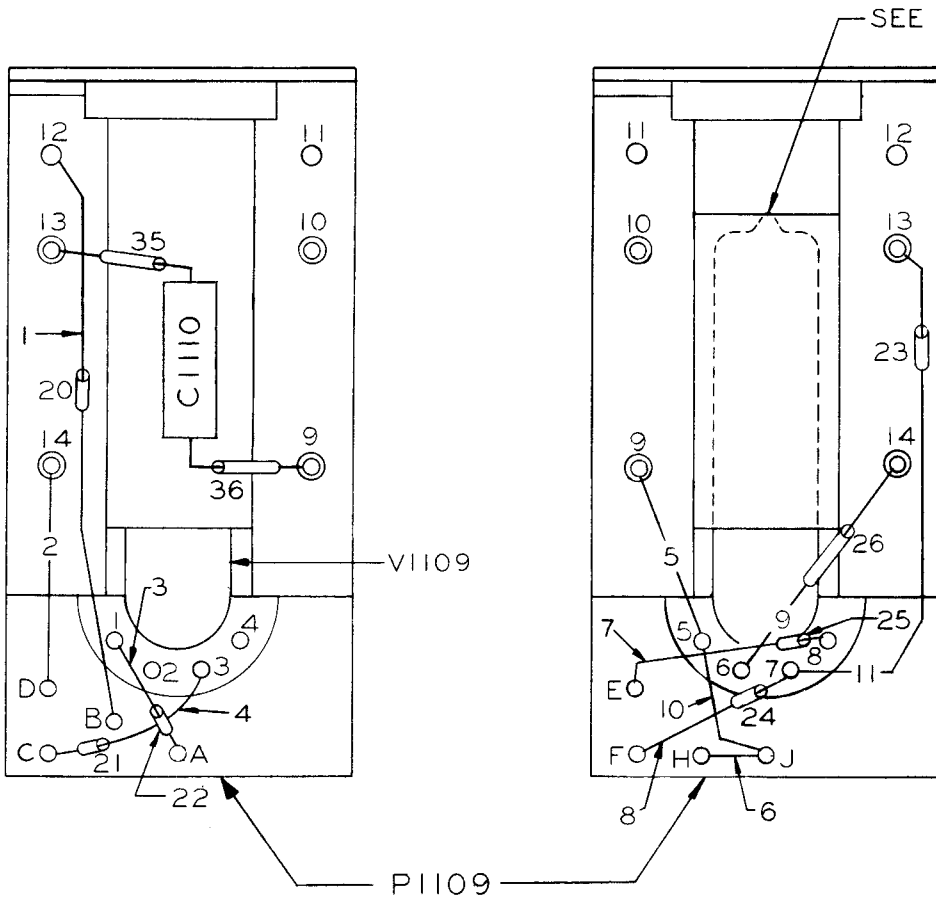
WIRE TABLE	
WIRE NO.	DESCRIPTION
1-8 INCL	WIRE-TINNED COPPER .020 DIA.
15-20 INCL	SLEEVING .022 I.D.
30-39 INCL	SLEEVING .034 I.D.

NOTES:

1. CRIMP & SOLDER ALL ELECTRICAL CONNECTIONS

3. NUMBERS IN WIRES REFER TO WIRE TABLE.

Figure 7-71. A-F Plug-in Unit, Z1108



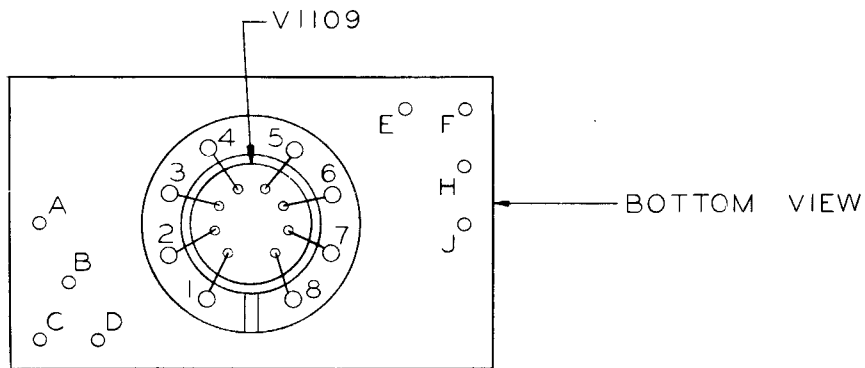
WIRE TABLE	
WIRE NO.	DESCRIPTION
1-11 INCL.	WIRE TINNED CO
20-26 INCL.	SLEEVING .022
35-36	SLEEVING .034

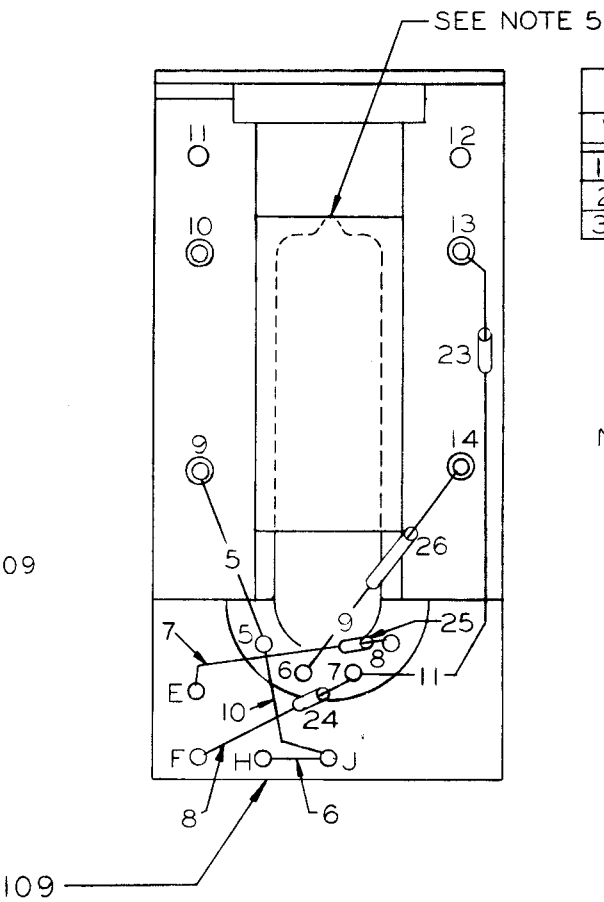
NOTES:

1. CRIMP & SOLDER ALL

3. NUMBER IN WIRES

5. INSERT TUBE TO APPROX
AS FLEXIBLE TUBE SHIE





WIRE TABLE	
WIRE NO.	DESCRIPTION
1-11 INCL.	WIRE TINNED COPPER .020 DIA.
20-26 INCL.	SLEEVING .022 I.D.
35-36	SLEEVING .034 I.D.

NOTES:

1. CRIMP & SOLDER ALL ELECTRICAL CONNECTIONS

3. NUMBER IN WIRES REFER TO WIRE TABLE.

5. INSERT TUBE TO APPROXIMATELY THE SAME HEIGHT AS FLEXIBLE TUBE SHIELD.

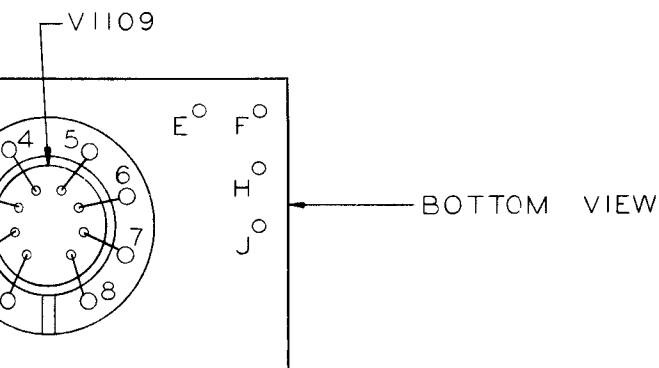
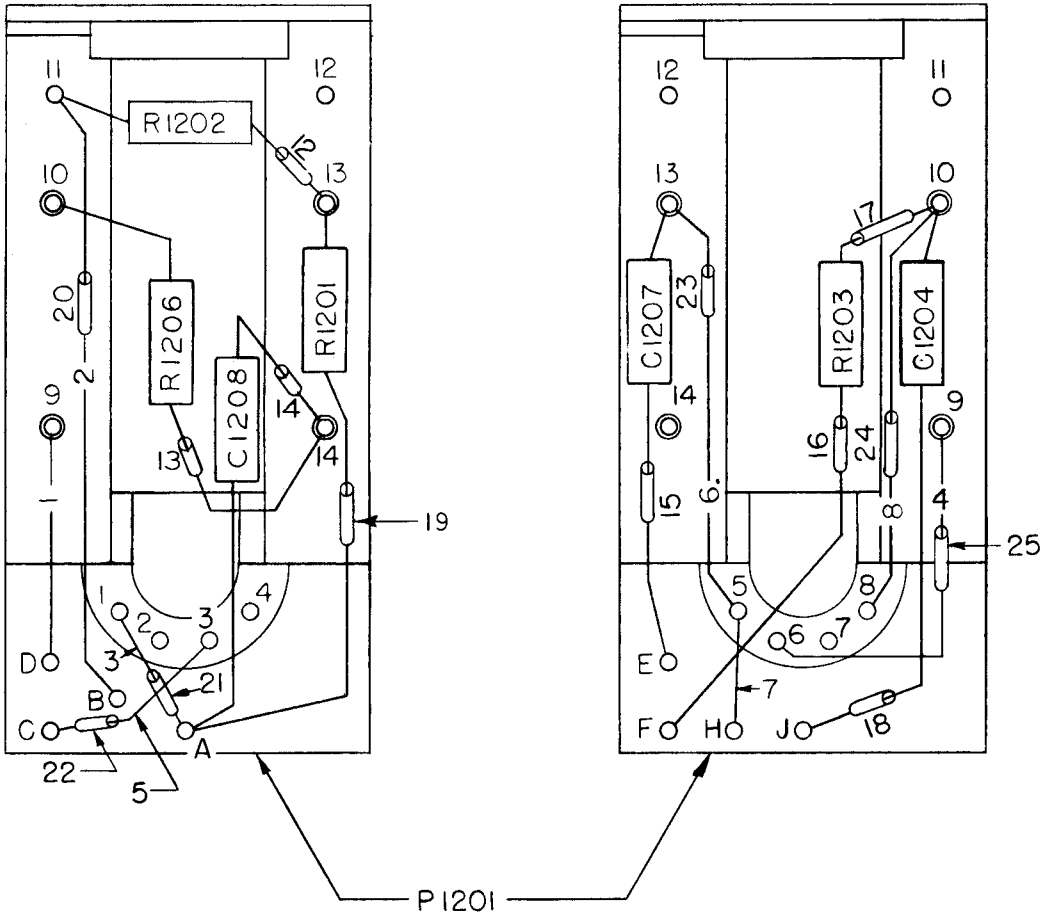


Figure 7-72. A-F Plug-in Unit, Z1109



WIRE TABLE	
WIRE NO.	DESCRIPTION
1-8 INCL.	WIRE TINNED COPPER
12-19 INCL.	SLEEVING .034 I.D.
20-25 INCL.	SLEEVING .022 I.D.

NOTES
1 CRIMP & SOLDER ALL

3 NOS. IN WIRES REFER T

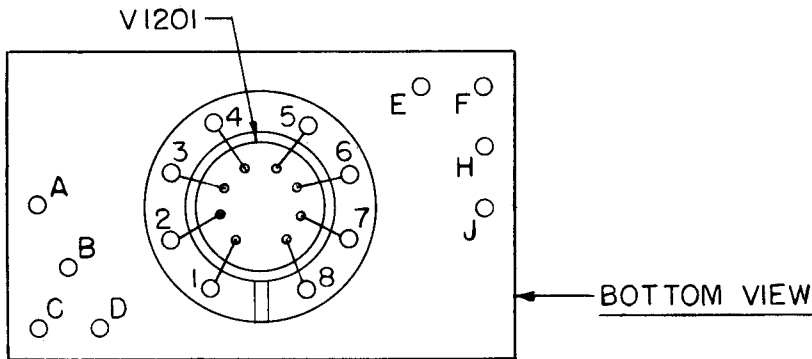
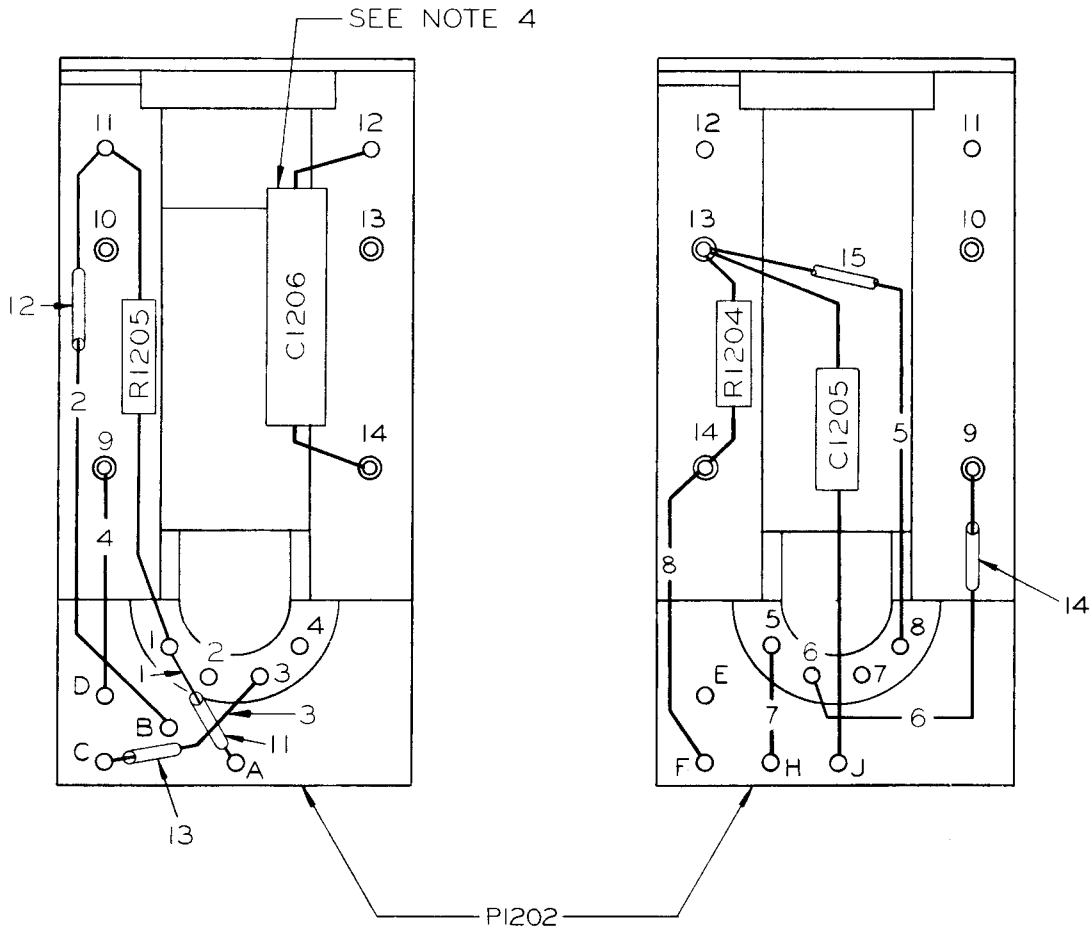


Figure 7-73.

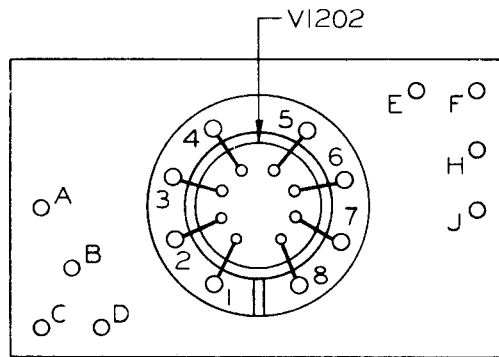


WIRE NO.	WIRE DESCRIPTION
1-8 INCL.	WIRE TINNED
11-15 INCL.	SLEEVING

NOTES
1. CRIMP & SOLDER

3. NUMBERS IN WIRE

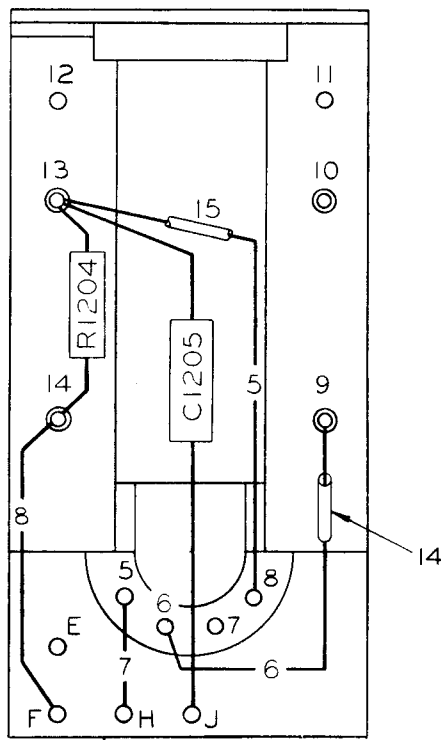
4. CASE OF CAPACITORS



BOTTOM VIEW

Figure 7-74.

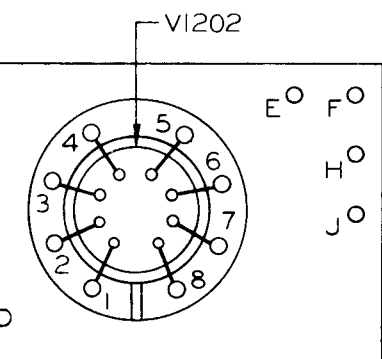
NOTE 4



WIRE TABLE	
WIRE NO.	DESCRIPTION
1-8 INCL.	WIRE TINNED COPPER .020 DIA.
11-15 INCL.	SLEEVING .022 I. D.

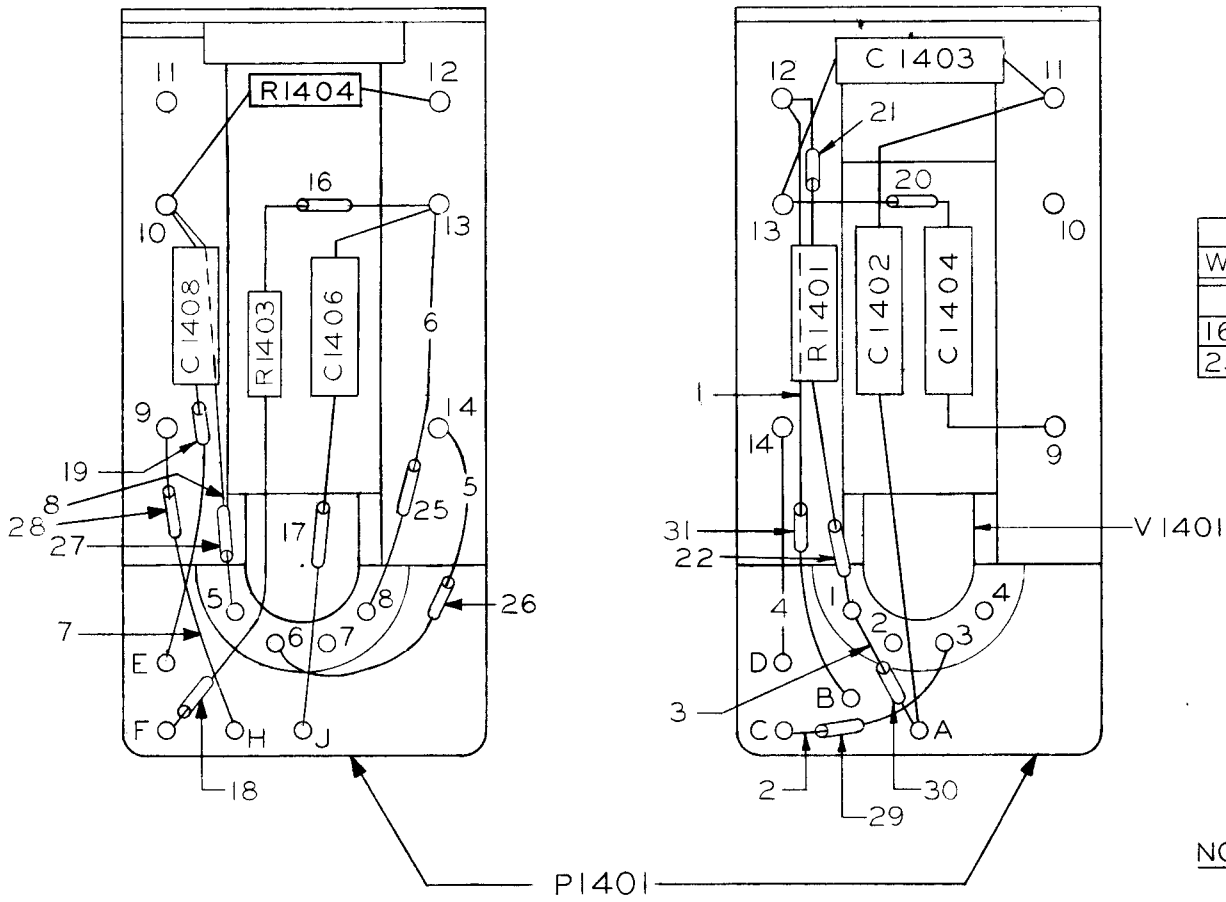
NOTES

1. CRIMP & SOLDER ALL ELECTRICAL CONNECTIONS
3. NUMBERS IN WIRES REFER TO WIRE TABLE.
4. CASE OF CAPACITOR CONNECTED TO GROUND.



BOTTOM VIEW

Figure 7-74. Crystal Calibrator Plug-in Unit, Z1202



WIRE NO.	
1-8 INCL.	WIRE TINNE
16-22 INCL.	SLEEVING
25-31 INCL.	SLEEVING

NOTES

2. CRIMP & SOLDER ALL
3. NUMBERS IN WIRES F

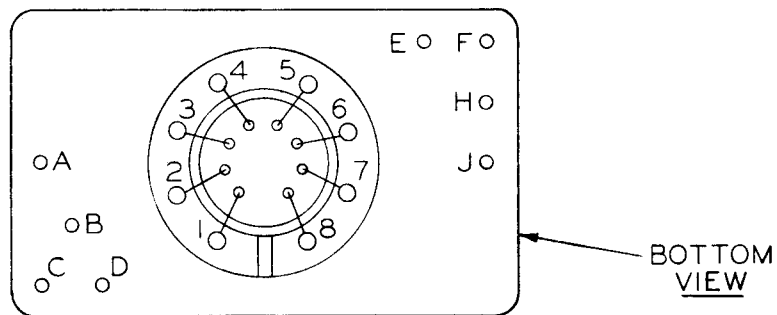
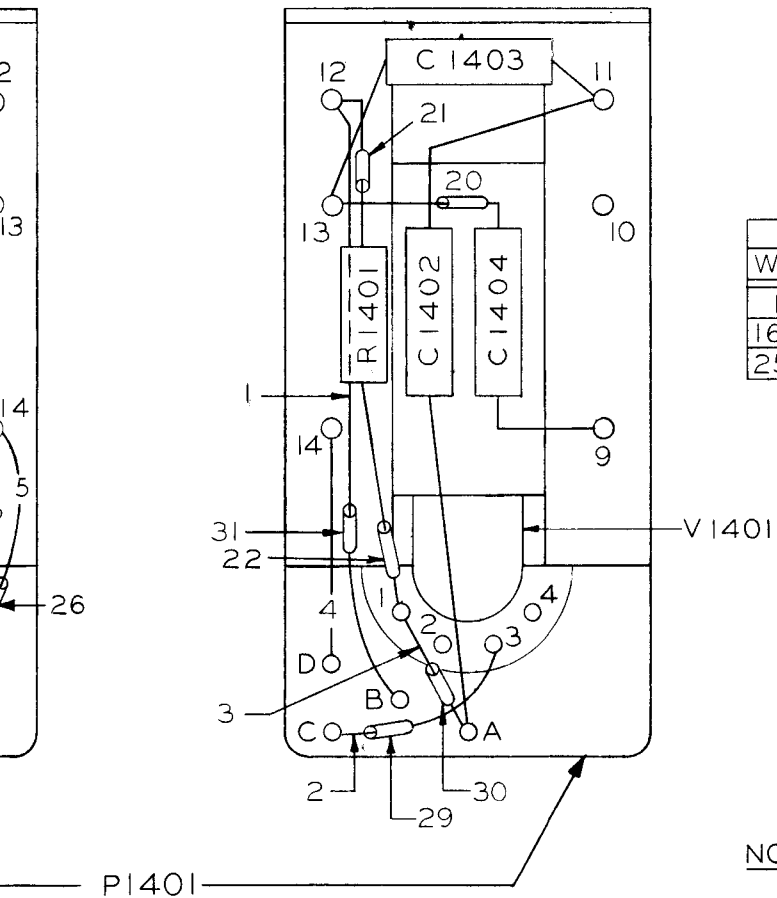


Figure 7-75. C



WIRE TABLE	
WIRE NO.	DESCRIPTION
1-8 INCL.	WIRE TINNED COPPER .020 DIA.
16-22 INCL.	SLEEVING .034 I.D.
25-31 INCL.	SLEEVING .022 I.D.

NOTES

2. CRIMP & SOLDER ALL ELECTRICAL CONNECTIONS
3. NUMBERS IN WIRES REFER TO WIRE TABLE.

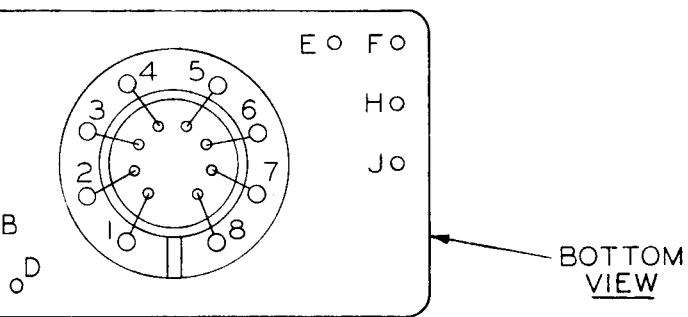
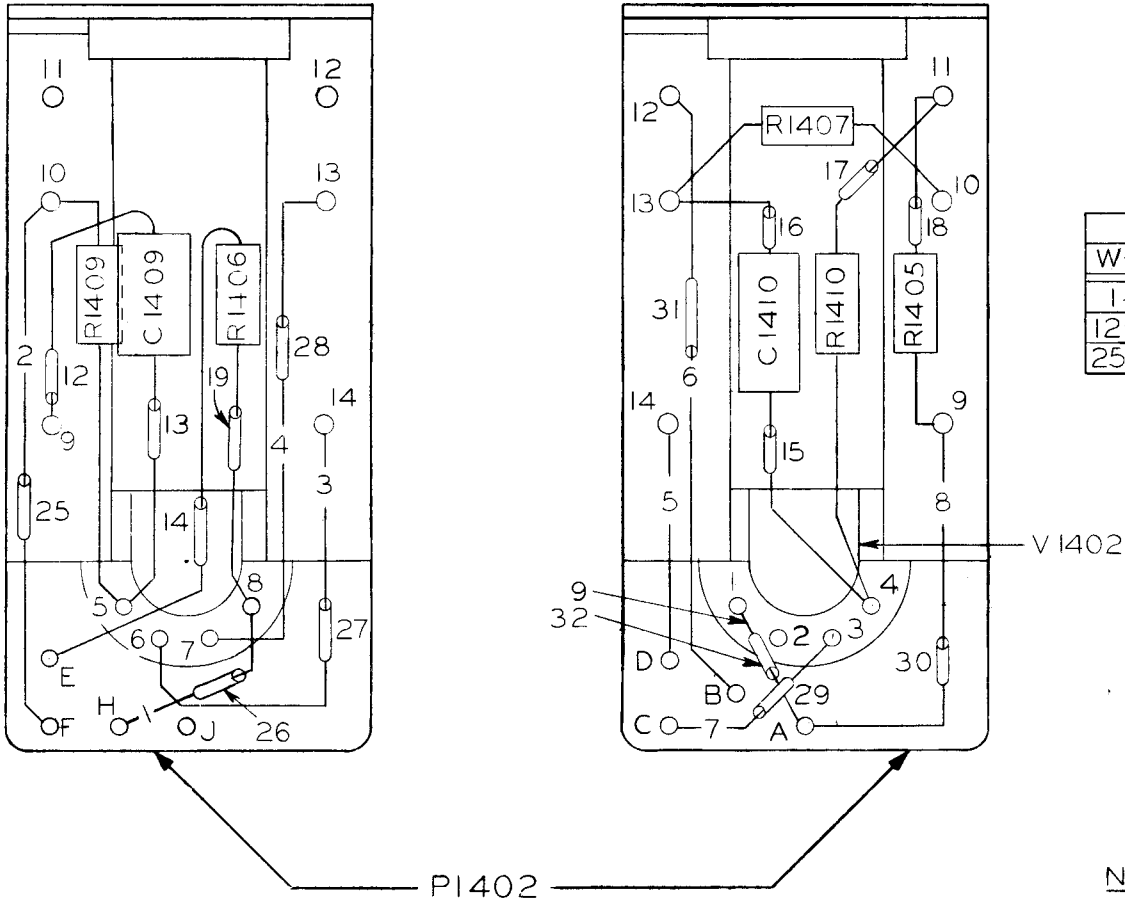


Figure 7-75. Crystal Calibrator Plug-in Unit, Z1401



WIRE NO.	WIRE TYPE
1-9 INCL.	WIRE TINNED
12-19 INCL.	SLEEVING
25-32 INCL.	SLEEVING

NOTES

2. CRIMP & SOLDER ALL
3. NUMBERS IN WIRES RE

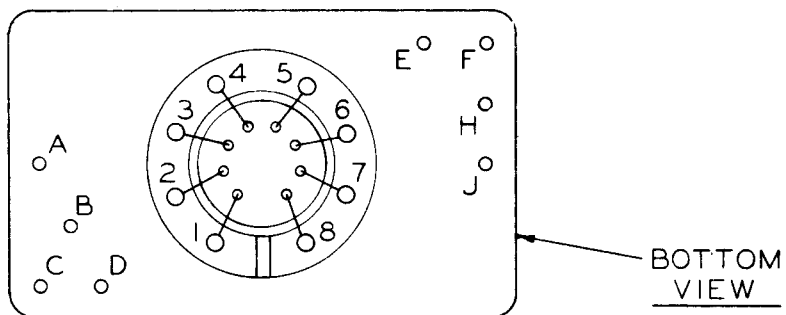
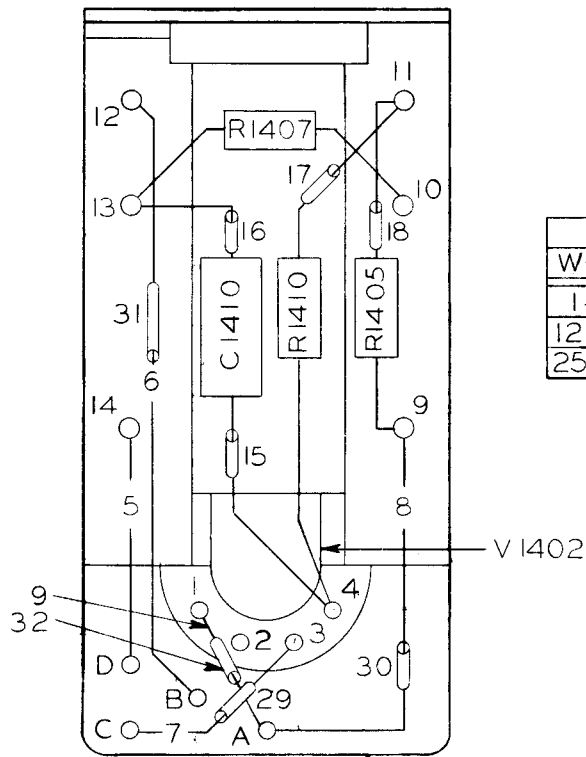


Figure 7-76. C



WIRE TABLE	
WIRE NO.	DESCRIPTION
1-9 INCL.	WIRE TINNED COPPER .020 DIA.
12-19 INCL.	SLEEVING .034 I.D.
25-32 INCL.	SLEEVING .022 I.D.

PI402

NOTES

2. CRIMP & SOLDER ALL ELECTRICAL CONNECTIONS
3. NUMBERS IN WIRES REFER TO WIRE TABLE.

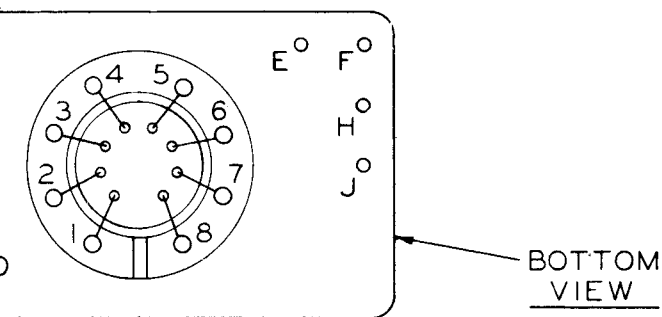
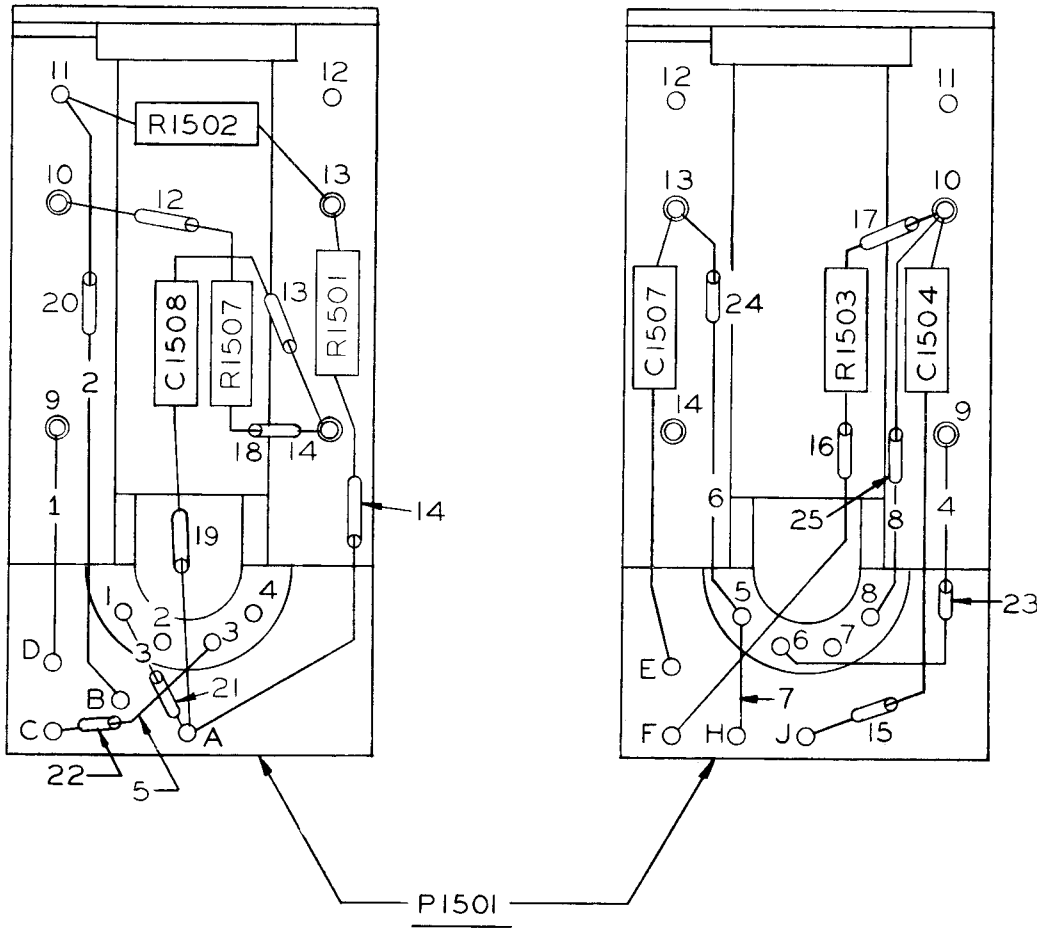


Figure 7-76. Crystal Calibrator Plug-in Unit, Z1402

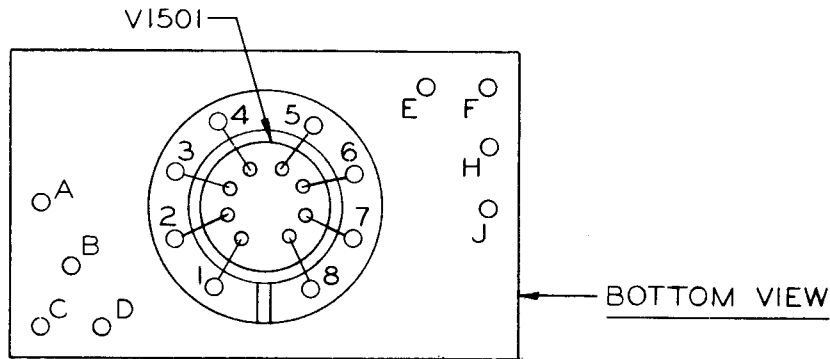
RESTRICTED
NAVSHIPS 91875(A)

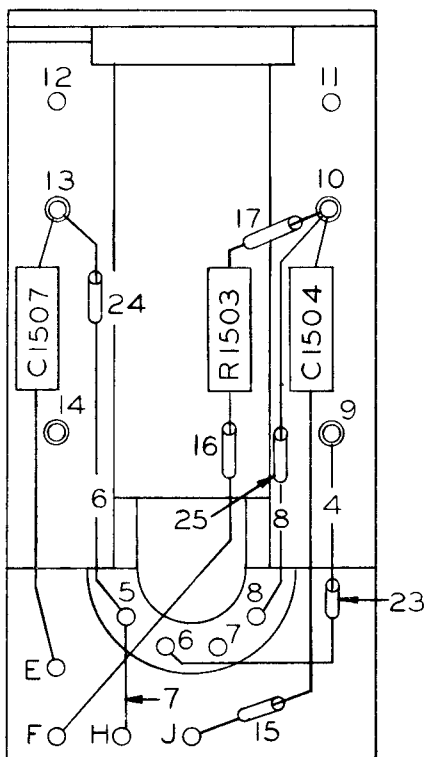


WIRE TABLE	
WIRE NO.	DESC
1-8	INCL. WIRE TINNED
12-19	INCL. SLEEVING
20-25	INCL. SLEEVING

NOTES:
1. CRIMP & SOLDER

3. NUMBERS IN WIRE





WIRE TABLE	
WIRE NO.	DESCRIPTION
1-8 INCL	WIRE TINNED COPPER .020 DIA.
12-19 INCL	SLEEVING .034 I.D.
20-25 INCL	SLEEVING .022 I.D.

NOTES:

1. CRIMP & SOLDER ALL ELECTRICAL CONNECTIONS

3. NUMBERS IN WIRES REFER TO WIRE TABLE.

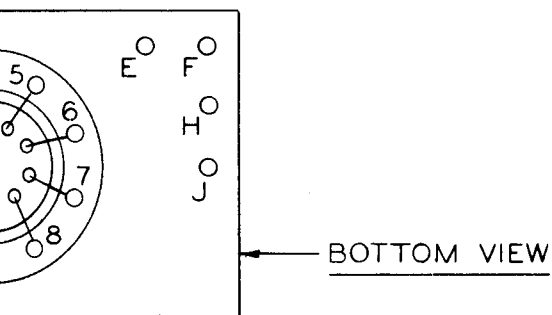
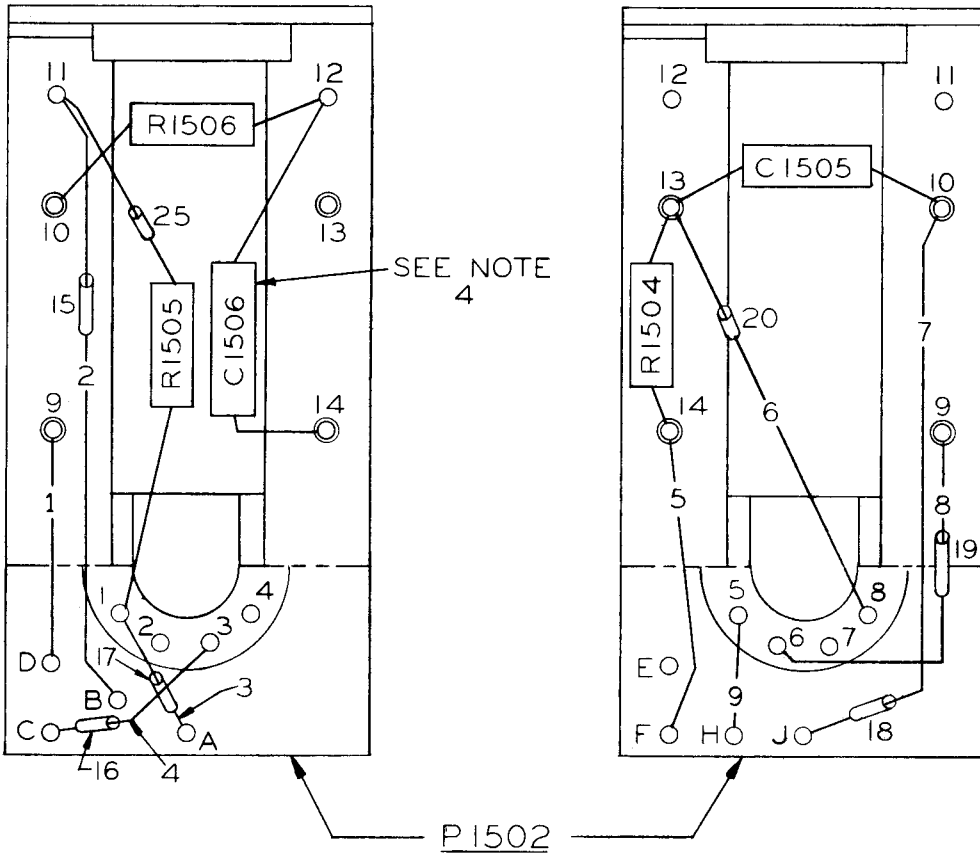


Figure 7-77. Crystal Calibrator Plug-in Unit, Z1501



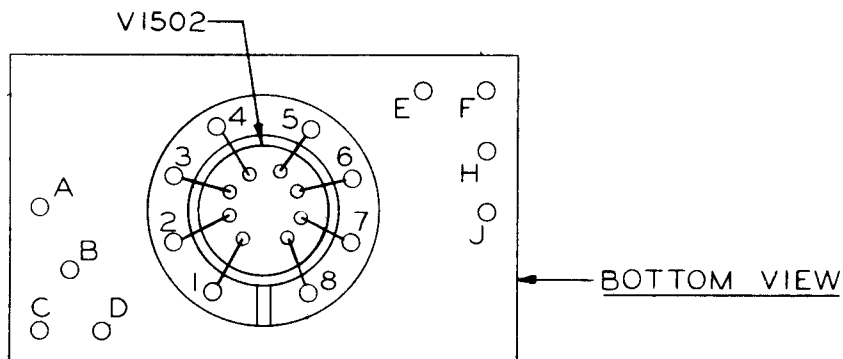
WIRE TABLE	
WIRE NO	DESC
1-9 INCL	WIRE - TINNED
15-20 INCL	SLEEVING .02
25	SLEEVING .03

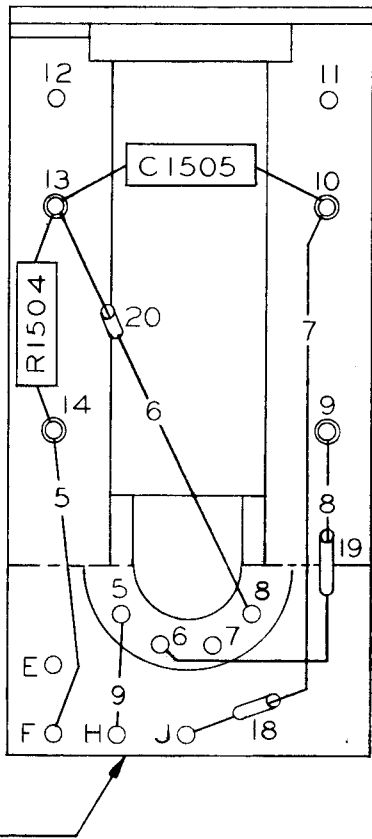
NOTES:

1. CRIMP & SOLDER

3. NUMBER IN WIRES

4. CASE OF CAPACIT





WIRE TABLE	
WIRE NO	DESCRIPTION
1-9 INCL	WIRE - TINNED COPPER .020 DIA.
15-20 INCL	SLEEVING .022 I.D.
25	SLEEVING .034 I.D.

NOTES:

1. CRIMP & SOLDER ALL ELECTRICAL CONNECTIONS

3. NUMBER IN WIRES REFER TO WIRE TABLE.

4. CASE OF CAPACITOR CONNECTED TO GROUND.

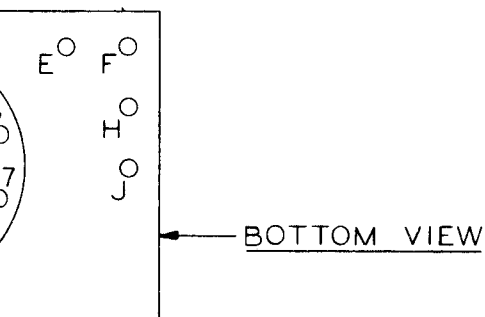
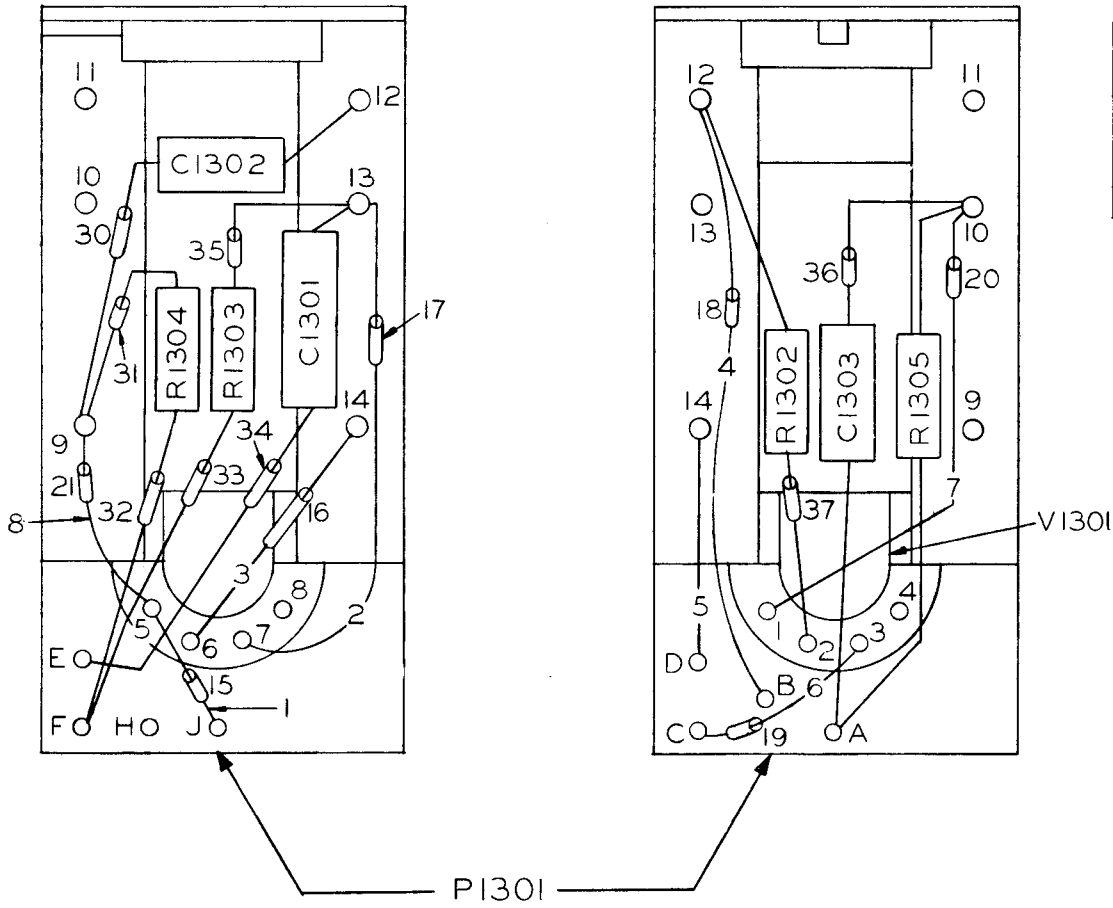


Figure 7-78. Crystal Calibrator Plug-in Unit, Z1502

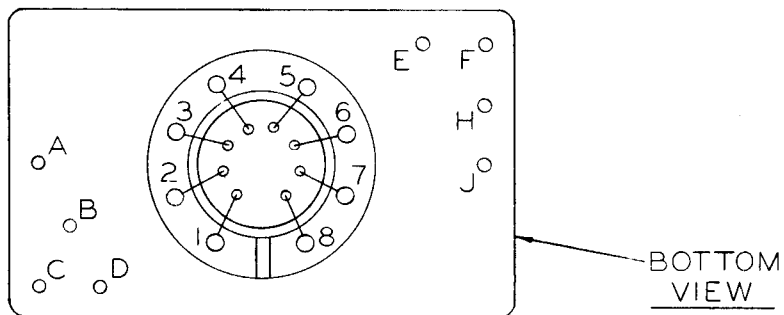


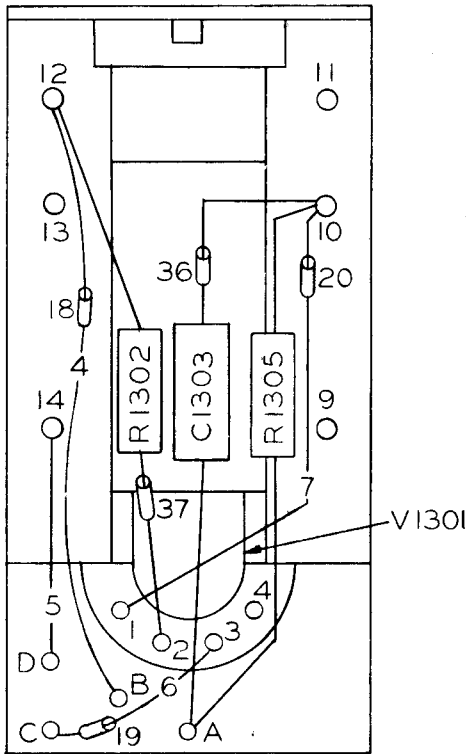
WIRE TABLE	
WIRE NO.	DESC
1-8 INCL.	WIRE TINNE
15-21 INCL.	SLEEVING .0
30-37 INCL.	SLEEVING .0

NOTES:

1. CRIMP & SOLDER

3. NUMBERS IN WIR





WIRE TABLE	
WIRE NO.	DESCRIPTION
1-8 INCL.	WIRE TINNED COPPER 020 DIA.
15-21 INCL.	SLEEVING .022 I.D.
30-37 INCL.	SLEEVING .034 I.D.

NOTES:

1. CRIMP & SOLDER ALL ELECTRICAL CONNECTIONS

3. NUMBERS IN WIRES REFER TO WIRE TABLE.

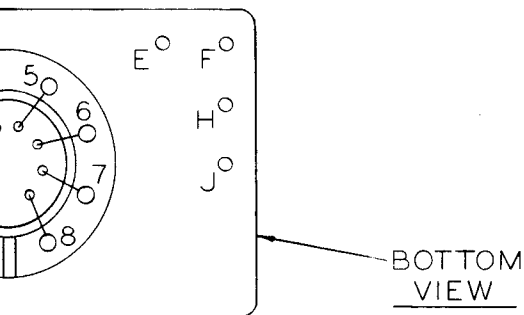


Figure 7-79. Beat Frequency Oscillator Plug-in Unit, Z1302

TABLE 8-1. WEIGHTS AND DIMENSIONS OF SPARE PARTS BOXES

EQUIPMENT SPARE PARTS				TENDER SPARE PARTS				STOCK SPARE PARTS			
SPARE PARTS BOX	OVERALL DIMENSIONS, IN.		VOL-UME CU. FT.	SPARE PARTS BOX	OVERALL DIMENSIONS, IN.		VOL-UME CU. FT.	SPARE PARTS BOX	OVERALL DIMENSIONS, IN.		VOL-UME CU. FT.
	HEIGHT	WIDTH			DEPTH	HEIGHT			WIDTH	DEPTH	
Not Marked	14 ³ / ₄	12 ¹ / ₄	9 ³ / ₄	3 ¹ / ₄	24 ³ / ₄						

TABLE 8-2. SHIPPING WEIGHTS AND DIMENSIONS OF SPARE PARTS BOXES

EQUIPMENT SPARES				TENDER SPARES				STOCK SPARES			
SPARE PARTS BOX	OVERALL DIMENSIONS, IN.		VOL-UME CU. FT.	SPARE PARTS BOX	OVERALL DIMENSIONS, IN.		VOL-UME CU. FT.	SPARE PARTS BOX	OVERALL DIMENSIONS, IN.		VOL-UME CU. FT.
	HEIGHT	WIDTH			DEPTH	HEIGHT			WIDTH	DEPTH	
Not Marked	15	12 ¹ / ₂	10	1	25						

TABLE 8-3. LIST OF MAJOR UNITS

SYMBOL GROUP	NAME OF MAJOR UNIT	NAVY TYPE DESIGNATION
101-299, 701-799, 1001-1199, 1301-1399, 1401-1499, 1601-1699, 1701-1799, 3601-3699	Radio Receiving Set	AN/SRR-11
301-499, 801-899, 1001-1199, 1301-1399, 1501-1599, 1601-1699, 1801-1899, 3701-3799	Radio Receiving Set	AN/SRR-12
501-699, 901-999, 1001-1199, 1201-1299, 1301-1399, 1601-1699, 1801-1899, 3801-3899	Radio Receiving Set	AN/SRR-13 or AN/SRR-13A

TABLE 8-4. TABLE OF REPLACEABLE PARTS
RADIO RECEIVING SETS AN/SRR-11, AN/SRR-12, AN/SRR-13, AN/SRR-13A

REF. SYMBOL	STOCK NUMBERS SIGNAL CORPS STANDARD NAVY AIR FORCE	NAME OF PART AND DESCRIPTION	LOCATING FUNCTION
101 to 3899	F16-Q-117572-100 F16-Q-117572-200 F16-Q-117573-100 F16-Q-117573-200	RECEIVING SET, RADIO: (AN/SRR-11); AM (A-1, A-2 and F-1); for communication; 14 kc to 600 kc in 5 bands; input: 105, 115, 125 v; 50, 60, 400 cyc; 85 w nominal; mid in aluminum cabinet; 18 $\frac{1}{2}$ " lg x 17 $\frac{1}{2}$ " wd x 8 $\frac{1}{2}$ " h; less mtg bkt; 29 tube double superheterodyne ckt; incl five connector plugs for ext. connections, and optional mtg bkt; five receptacles on back marked "IF", "ANT", "POWER", "AUDIO", "AUDIO", "AUDIO", "DET. AGC"; two handles on front for removing from cabinet; incl BFO, int xtal calibrator, 3 degrees of IF selectivity and 2 degrees of audio response; spec MIL-R-15132 (SHIPS), plus Amendment #4, dated April 1, 1951; Class B, Type 1; RCA part/dwg A-8837400-503; Assembly dwg 313084-3 RECEIVING SET, RADIO: (AN/SRR-12); AM (A-1, A-2, A-3 and F-1); for communication; 250 kc to 8.0 mc in 5 bands; input: 105, 115, 125 v; 50, 60, 400 cyc; 85 w nominal; mid in aluminum cabinet; 18 $\frac{1}{2}$ " lg x 17 $\frac{1}{2}$ " wd x 8 $\frac{1}{2}$ " h; less mtg bkt; 29 tube double superheterodyne ckt; incl seven connector plugs for ext. connections, and optional mtg bkt; seven receptacles on back marked "IF", "PAN", "ANT", "POWER", "AUDIO", "AUDIO", "DET. AGC"; two handles on front for removing from cabinet; incl BFO, int xtal calibrator, 3 degrees of IF selectivity and 2 degrees of audio response; spec MIL-R-15132 (SHIPS), plus Amendment #4, dated April 1, 1951; Class B, Type 2; RCA part/dwg A-8837400-501; Assembly dwg 313084-1 RECEIVING SET, RADIO: (AN/SRR-13); AM (A-1, A-2, A-3 and F-1); for communication; 2 mc to 32 mc in 5 bands; input: 105, 115, 125 v; 50, 60, 400 cyc; 85 w nominal; mid in aluminum cabinet; 18 $\frac{1}{2}$ " lg x 17 $\frac{1}{2}$ " wd x 8 $\frac{1}{2}$ " h; less mtg bkt; 29 tube double superheterodyne ckt; incl seven connector plugs for ext. connections, and optional mtg bkt; seven receptacles on back marked "IF", "PAN", "ANT", "POWER", "AUDIO", "AUDIO", "DET. AGC"; two handles on front for removing from cabinet; incl BFO, int xtal calibrator, 3 degrees of IF selectivity and 2 degrees of audio response; spec MIL-R-15132 (SHIPS), plus Amendment #4, dated April 1, 1951; Class B, Type 3; RCA part/dwg A-8837400-502; Rev 1 to 53 incl; Assembly dwg 313084-2 Rev 1 to 24 incl	
A-101 and A-102	F16-Q-117610-100 F16-Q-117610-200	RECEIVING SET, RADIO: (AN/SRR-13A); AM (A-1, A-3, and F-1); for communication; 2 mc to 32 mc in 5 bands; input: 105, 115, 125 v; 50, 60, 400 cyc; 85 w nominal; mid in aluminum cabinet; 18 $\frac{1}{2}$ " lg x 17 $\frac{1}{2}$ " wd x 8 $\frac{1}{2}$ " h; less mtg bkt; 29 tube double superheterodyne ckt; incl seven connector plugs for ext. connections, and optional mtg bkt; seven receptacles on back marked "IF", "PAN", "ANT", "POWER", "AUDIO", "AUDIO", "DET. AGC"; two handles on front for removing from cabinet; incl BFO, int xtal calibrator, 3 degrees of IF selectivity and 2 degrees of audio response; spec MIL-R-15132 (SHIPS), plus Amendment #4, dated April 1, 1951; Class B, Type 3; RCA part/dwg A-8837400-502, Rev 54 and up; Assembly dwg 313084-2 Rev 24	Mounting for C-103
A-103	Shop Manufacture	BRACKET: "U" shape w extension on one leg; aluminum alloy w/ steel nuts and brass eyelet; satin etch and chemical finish for spot welding; 1.973" lg x $\frac{1}{2}$ " wd x 1 $\frac{1}{2}$ " d o/a; 0.051" thk "U" stock and 0.032" thk extension stock; two #6-32 self-clinching nuts on flanged ends of "U", ctr on longitudinal centerline 1.5" c to c, for mtg; angle piece 1 $\frac{1}{2}$ " lg x $\frac{1}{2}$ " wd x $\frac{1}{2}$ " d spot welded along one leg of "U", cut so that $\frac{1}{8}$ " strip extends $\frac{3}{16}$ " at bottom of "U"; brass eyelet 0.198" diam x $\frac{1}{4}$ " lg riveted on other leg of "U" on centerline, center $\frac{1}{8}$ " from bottom of "U"; RCA part/dwg B-462561-501	
A-104 thru A-250	Shop Manufacture	Not used	
A-251	Shop Manufacture	BRACKET: receptacle mtg bkt; wedge shape; aluminum alloy, satin etched; 1 $\frac{1}{2}$ " lg x $\frac{1}{2}$ " wd x $\frac{3}{4}$ " thk; two #6-32 integral mtg nuts on 1.031" mtg/c; RCA part/dwg A-8849691-501	Supports J-260
A-252	Shop Manufacture	BRACKET: receptacle mtg bkt; "L" shape; aluminum alloy, satin etch and clear water dip; 1 $\frac{1}{2}$ " lg x $\frac{1}{2}$ " wd x $\frac{9}{16}$ " h; two #6-32 integral mtg nuts on 0.812" mtg/c; 2 "U" shape notches $\frac{1}{8}$ " wd x $\frac{1}{8}$ " lg on 1" ctrs for mtg receptacles; RCA part/dwg A-8834748-501	Supports J-259
A-253	Shop Manufacture	BRACKET: receptacle mtg bkt; "L" shape; aluminum alloy; satin etch and clear water dip; 1 $\frac{1}{2}$ " lg x $\frac{3}{4}$ " wd x $\frac{1}{2}$ " h; two #6-32 integral mtg nuts on 0.734" mtg/c; 2 "U" shape notches $\frac{1}{8}$ " wd x $\frac{1}{8}$ " lg on 0.858" ctrs for mtg receptacles; RCA part/dwg A-8834749-501	Supports J-261
A-254	Shop Manufacture	BRACKET: used on radio receiving set; c/o one bkt RCA part/dwg A-8834733-2, two nuts RCA part/dwg A-8858336-8, two bushings RCA part/dwg A-8838908-8; "L" shape; 1" lg x $\frac{1}{16}$ " wd x $\frac{1}{2}$ " h o/a approx; two #6-32 self-clinching nuts on 0.562" mtg/c; nuts and ring staked to bkt; bushing riveted to bkt; RCA part/dwg A-8834733-501	Supports Type I Dial Assembly

AN/SRR-11, AN/SRR-12,
AN/SRR-13, AN/SRR-13A
PARTS LIST

NAVSHIPS 91875(A)

Section 8
A-255—A-503

Part Number	Shop Manufacture	Description	Supports
A-255	Shop Manufacture	PLATE, RETAINER; retainer for connector receptacle; SS, passivating dip finish; rectangular w/2.593" lg x 0.968" wd opening in ctr; 3 ¹¹ / ₁₆ " lg x 1 ¹ / ₄ " wd x 0.093" thk; two 0.177" diam csk mtg holes 3.218" c to c; RCA part/dwg A-8848961-1	Supports J-263
A-256	Shop Manufacture	BRACKET; to tie dial and frame together; bkt w bushings, screws, nuts, and washers; aluminum alloy satin etch and clear water dip finish, brass bushing, white nickel finish, steel screw and nut, bronze lockwasher; rectangular w/ triangular sides; 1 ¹ / ₂ " lg x 1" wd x 1/8" d, extending screw points; two #6-32 SS Phillips head machine screws extend through bottom 0.5" c to c; two #6-32 self-clinching steel nuts 0.5" c to c press and ring stake in end bend-overs; two aluminum washers pressed into threads of two screws for assembly in bushing; screw must rotate freely after assembly; RCA part/dwg A-8834736-501	Supports Type I Dial Assembly
A-257		Not Used	
A-258	Shop Manufacture	PLATE SPACER; used as stiffener for receptacle mtg; SS, passivating dip finish; rectangular shape; 1 ¹ / ₄ " lg x 1/8" wd x 0.093" thk; two 0.156" diam mtg holes on 1" mtg/c; RCA part/dwg A-8838976-1	Supports J-264
A-259	Shop Manufacture	COVER; main frame channel cover; c/o one cover RCA part/dwg C-744574-4, one insulation strip RCA part/dwg A-8837463-1; phosphor bronze, white nickel pl; "U" shape; 5 ¹ / ₈ " lg x 1 ¹ / ₂ " wd x 1/8" h o/a approx; two 0.173" diam mtg holes on 3 ¹ / ₂ " mtg/c; one "U" shape and two rectangular shape notches in one side, one "U" shape and three rectangular notches in other side; RCA part/dwg C-744574-502	Covers Chassis Wiring
A-260	Shop Manufacture	COVER; main frame channel cover; c/o one cover RCA part/dwg C-744574-3, one insulation strip RCA part/dwg A-8837464-1; phosphor bronze, white nickel pl; "U" shape; 4 ¹ / ₂ " lg x 1 ¹ / ₂ " wd x 1/8" h o/a approx; two 0.173" diam mtg holes on 2 ¹ / ₄ " mtg/c; three grounding and one mtg tab on one end; two "U" shape and one rectangular shape notches in one side; one "U" shape and three rectangular shape notches in other side; RCA part/dwg C-744574-501	Covers Chassis Wiring
A-261	Shop Manufacture	SHIM; phosphor bronze, white nickel finish; rectangular shape; 1" lg x 1/8" wd x 0.005" thk; mounts by two slots 3/8" h x 0.187" wd; RCA part/dwg A-8829159-2	Spacer for Type I Dial Assembly (As Required)
A-262	Shop Manufacture	SHIM; phosphor bronze, white nickel finish; rectangular shape; 1" lg x 1/8" wd x 0.010" thk; mounts by two slots 3/8" h x 0.187" wd; RCA part/dwg A-8829159-3	Spacer for Type I Dial Assembly (As Required)
A-263 thru A-302		Not Used	
A-303	Shop Manufacture	MOUNTING, BRACKET; mts plug-in connector on Antenna Assembly; c/o one bkt RCA part/dwg M-462172-2, two self-clinching nuts RCA part/dwg K-8858386-4; rectangular shape; 1 ¹ / ₂ " lg x 1 ¹ / ₄ " wd x 1/8" h o/a; RCA part/dwg M-462172-501	Supports J-304
A-304 thru A-450		Not Used	
A-451		Same as A-251	Supports J-460
A-452		Same as A-252	Supports J-459
A-453		Same as A-253	Supports J-461
A-454		Same as A-254	Supports Type II Dial Assembly
A-455		Same as A-255	Supports J-463
A-456		Same as A-256	Supports Type II Dial Assembly
A-457		Same as A-258	Supports J-464
A-458		Same as A-259	Covers Chassis Wiring
A-459	Shop Manufacture	COVER; cover for ant trimmer condenser; aluminum alloy; rectangular shape; 2 ¹ / ₂ " lg x 1 ¹ / ₂ " wd x 7/8" h; mts by three mtg flanges, one mtg flange has two 0.166" diam holes spaced 1.437" c to c, a second mtg flange has two 0.166" diam holes spaced 0.687" c to c, the third mtg flange has one 0.166" diam hole centered on flange; 3/8" d x 1/2" lg notch in one end; RCA part/dwg M-462173-501	Covers C-456
A-460	Shop Manufacture	BRACKET; used on radio receiving set; c/o one plate RCA part/dwg A-8829113-2, one bkt; RCA part/dwg A-8829113-3; "L" shape; 1 ¹ / ₂ " lg x 1 ¹ / ₂ " wd x 1/8" h approx o/a; two mtg holes #4-40 on 0.500" mtg/c; plate riveted to bkt; nuts pressed into bkt; one hole centrally located in plate; RCA part/dwg A-8829113-501	Supports C-456
A-461		Same as A-260	Covers Chassis Wiring
A-462		Same as A-261	Spacer for Type II Dial Assembly (As Required)
A-463		Same as A-262	Spacer for Type II Dial Assembly (As Required)
A-464 thru A-502		Not Used	
A-503		Same as A-303	Supports J-504

CONTRACT NObar-52014

TABLE 8-4. TABLE OF REPLACEABLE PARTS—Continued
RADIO RECEIVING SETS AN/SRR-11, AN/SRR-12, AN/SRR-13, AN/SRR-13A

REF SYMBOL	STOCK NUMBERS SIGNAL CORPS STANDARD NAVY AIR FORCE	NAME OF PART AND DESCRIPTION	LOCATING FUNCTION
A-504 thru A-650		Not Used	
A-651		Same as A-251	Supports J-660
A-652		Same as A-252	Supports J-659
A-653		Same as A-253	Supports J-661
A-654		Same as A-254	Supports Type III Dial Assembly
A-655		Same as A-255	Supports J-663
A-656		Same as A-256	Supports Type III Dial Assembly
A-657		Same as A-258	Supports J-664
A-658		Same as A-259	Covers Chassis Wiring
A-659		Same as A-459	Covers C-656
A-660		Same as A-460	Supports C-656
A-661	Shop Manufacture	COVER: main frame channel cover; c/o one cover RCA part/dwg C-744574-11, one plate RCA part/dwg C-744574-9, one insulation strip, RCA part/dwg A-8837464-1, one spring RCA part/dwg A-8813763-1; "U" shape; 4 1/2" lg x 2 1/2" wd x 1/2" h; two 0.102" diam mtg holes on 2 1/4" mtg/c; three grounding and one mtg tab on one end; two "U" shape and one rectangular shape notches in one side, one "U" shape and three rectangular shape notches in other side, grounding spring mtd on one side of cover; RCA part/dwg C-744574-503	Covers Chassis Wiring
A-662		Same as A-261	Spacer for Type III Dial Assembly (As Required)
A-663		Same as A-262	Spacer for Type II Dial Assembly (As Required)
A-664 thru A-1001		Not Used	
A-1002	Shop Manufacture	BRACKET: sw mtg; "L" shape; aluminum, satin etch finish; 2 1/2" lg x 2 1/2" wd x 1 1/2" thk; two mtg holes 0.147" wd x 0.218" lg on 1.968" x 0.564" ctrs; two #4-40 tapped mtg holes on 1 1/2" ctrs w/adjacent mtg slot; one 0.3125" diam bushing bracketed by two 0.109" diam csk holes on 1.187" ctrs for mtg sw; RCA part/dwg M-455712-501	Supports S-1003 and E-1012
A-1003	Shop Manufacture	COVER, CABLE; aluminum alloy; satin etch and clear water dip finish; 3 1/4" lg x 3 1/2" wd x 1/2" h o/a; mts by three integral mtg bkts provided w/0.250" diam hole which accommodated #6-32 x 1/2" machine screws; RCA part/dwg B-462150-501	Shields Chassis Wiring
A-1004 thru A-1101		Not Used	
A-1102	Shop Manufacture	PLATE: brass, white nickel plate finish; rectangular shape; 1/2" lg x 0.312" wd x 0.0907" thk o/a; one central mtg hole 0.128" diam for screw; for use on Audio Unit Assembly; RCA part/dwg A-8812294-1	Acts as Washer for Mounting S-1101
A-1103 thru A-1300		Not Used	
A-1301	Shop Manufacture	COVER: chassis wiring shield; c/o one cover RCA part/dwg M-456847-2, one bushing RCA part/dwg A-8834792-2; rectangular shape; 2 1/2" lg x 1 1/2" wd x 1 1/4" h o/a approx; RCA part/dwg M-456847-501	Chassis Cover, BFG Unit
A-1302 thru A-1600		Not Used	
A-1601	For Reference only	SHIELD, TUBE; brass, nickel pl finish; round; panel mtd; inside diam 0.760" x 1 1/2" lg excluding studs, mtd by two #4-40 thd studs; to withstand 50-hr salt spray test; RCA part/dwg K-8858552-1	Secures X-1603, X-1604, X-1605

A-1602	N16-S-34599-7750	SHIELD, ELECTRON TUBE: brass nickel pl finish; round; bayonet type spring mtd; inside dimen 0.920" ID x 2 1/2" lg; bottom has two mtg slots 1/4" h x 1/4" greatest wd x 1/2" smallest wd; for use w/6A45 vacuum tube; National Type SA3386; RCA part/dwg K-8888552-4	Shields and Secures V-1601, V-1602, R-1605
A-1603		Not Used	Secures J-1601
A-1604		Same as A-255	
A-1605 thru A-1700		Not Used	
A-1701	Shop Manufacture	MOUNTING BRACKET: steel, satin black synthetic finish; "V" shape; 3 1/2" lg x 2 1/2" wd x 1 1/2" max h x 0.0897" thk o/a; four 0.156" diam mtg holes on 2.875" x 2.500" mtg/c; cut-out ctr of bkt 2.593" lg x 1.593" wd w/four slots two on ea end 0.280" lg x 0.280" wd; ctr bend 1 1/2" wd to two legs 1 1/2" lg to two flanges 1 1/2" lg; RCA part/dwg B-462114-1	Supports J-1709
A-1702 thru A-1800		Not Used	
A-1801		Same as A-1701	Supports J-1809
A-1802 thru A-3600		Not Used	
A-3601	Shop Manufacture	FRAME: for dial window; aluminum alloy, optical black synthetic finish; rectangular shape; 3.328" lg x 3.218" wd x 0.091" thk o/a; four 0.128" diam mtg holes on 2.875" x 2.484" mtg/c; cut-out 2.640" lg x 2.531" wd located 1 1/2" from outer edge of frame w/1/4" rad on inside edge of cut-out only; four corners have 1/8" rad; RCA part/dwg A-8844628-1	Secures A-3602
A-3602	Shop Manufacture	WINDOW: for dials; plastic acrylic sheet, optical black synthetic finish on edges of window only; rectangular shape; 3.328" lg x 3.218" wd x 0.060" thk o/a; four 0.128" diam mtg holes on 2.875" x 2.484" mtg/c; 1/8" rad on four corners of window; spec Mil-P-5425 type I; RCA part/dwg A-8844281-1	Protects Dial Face
A-3603	Shop Manufacture	WINDOW: for dial assembly; plastic acrylic sheet, steel blast finish; rectangular shape; 2 1/2" lg x 1 1/2" wd x 0.060" thk o/a; six 0.113" diam mtg holes on 2 1/2" x 1 1/2" mtg/c; marked w/white line 0.015" wd x 0.015" x 0.015" d; RCA part/dwg A-8830110-1	Serves as Target for Optical Dial System
A-3604	Shop Manufacture	MOUNTING BRACKET: lens arm stabilizer; aluminum alloy, black alumilite finish; rectangular shape; 2 1/4" lg x 1 1/2" wd x 1 1/4" h x 0.091" thk; mts by two 0.156" diam holes on 1.406" mtg/c; one end w/flange 1 1/2" wd x 1 1/2" lg w/0.187" wd slot x 1/2" lg 1/4" from end to 1/2" wd x 1 1/2" lg to 90 deg bend to 3/8" wd x 2" lg to 1/2" wd x 1 1/2" lg to flange 0.091" thk other end w/flange 1 1/2" wd x 1 1/2" h; RCA part/dwg B-456878-1	Stabilizes O-3608
A-3605	Shop Manufacture	BRACE, REFLECTOR: for dial assembly; "L" shape; aluminum, black synthetic and white lacquer; 4" ID x 1/4" wd x 1/2" h x 0.032" thk; mts by two 0.102" diam holes on 2 1/4" mtg/c; RCA part/dwg A-8848190-1	Reflects Light to Logging Dial Scales
A-3606	Shop Manufacture	SUPPORT COVER: support for lamp compartment cover (LH); c/o one bkt RCA part/dwg A-8821402-1, one machine screw RCA part/dwg A-8821405-655; brass, optical black finish; "U" shape approx; 5/4" lg x 3/4" wd x 0.423" h min; mts by #6-32 x 1/4" lg machine screw w/PH drive; RCA part/dwg A-8821404-501	With A-3607, Mounts A-3608
A-3607	Shop Manufacture	SUPPORT COVER: support for lamp compartment cover (RH); c/o one bkt RCA part/dwg A-8821402-1, one machine screw RCA part/dwg A-8821405-655; brass, optical black finish; "U" shape approx; 5/4" lg x 3/4" wd x 0.423" high min; mts by #6-32 x 1/4" lg machine screw w/PH drive; RCA part/dwg A-8821404-502	With A-3606, Mounts A-3608
A-3608	Shop Manufacture	COVER: for lamp compartment; aluminum alloy, optical black finish; rectangular shape; 3 1/2" lg x 1 1/4" wd x 0.110" thk; mts by two key-shaped holes spaced 2.625" c to c; marked I-3601, X-3601, X-3602; RCA part/dwg A-8821403-1	Covers Top of Projection Lamp
A-3609	Shop Manufacture	PLATE, APERTURE: for lamp compartment; aluminum alloy, optical black finish; "L" shape; 3" lg x 1 1/2" wd x 1 1/4" h o/a approx; four 0.120" diam mtg holes on 2 3/4" c and 2 1/4" mtg/c; one flange 1 1/2" lg x 3" wd w/two holes 0.120" diam located 1/2" from edge and 2 1/4" c to c and 1/4" from top edge; w/one hole 1" lg x 1/4" wd 1" from edge and 1 1/2" from bend, cut-out 2 1/4" lg x 1 1/2" d from bend line, other flange w/two tabs one on ea end 1 1/4" lg x 1/4" wd w/two holes 0.120" diam 2 3/8" c to c and 1/4" from bend line; RCA part/dwg B-456248-1	Covers Side and Bottom of Projection Lamp
A-3610 thru A-3700		Not Used	
A-3701		Same as A-3601	Secures A-3702
A-3702		Same as A-3602	Protects Dial Face
A-3703		Same as A-3603	Serves as Target for Optical Dial System
A-3704		Same as A-3604	Stabilizes O-3708
A-3705		Same as A-3605	Reflects Light to Logging Dial Scales

CONTRACT NObar-52014

TABLE 8-4. TABLE OF REPLACEABLE PARTS—Continued
RADIO RECEIVING SETS AN/SRR-11, AN/SRR-12, AN/SRR-13, AN/SRR-13A

REF. SYMBOL	STOCK NUMBERS SIGNAL CORPS STANDARD NAVY AIR FORCE	NAME OF PART AND DESCRIPTION	LOCATING FUNCTION
A-3706		Same as A-3606	With A-3707 Mounts A-3708
A-3707		Same as A-3607	With A-3706 Mounts A-3708
A-3708	Shop Manufacture	COVER: aluminum alloy, optical black; rectangular shape; $3\frac{1}{2}$ " lg x $1\frac{1}{4}$ " wd x 0.110 " thk o/a; mts by two 0.296 " wd x 0.398 " lg keyhole shaped holes spaced 2.625 " c to c. $\frac{3}{4}$ " up from flanged edge; marked I-3701, I-3702, X-3701, and X-3702; lower edge bent on a $\frac{1}{2}$ " rad to form $\frac{3}{4}$ " lg flange; RCA part/dwg A-8821403-2	Covers Top of Projection Lamp
A-3709		Same as A-3609	Covers Side and Bottom of Projection Lamp
A-3710 thru A-3800		Not Used	
A-3801		Same as A-3601	Secures A-3802
A-3802		Same as A-3602	Protects Dial Face
A-3803		Same as A-3603	Serves as Target for Optical Dial System
A-3804		Same as A-3604	Stabilizes O-3808
A-3805		Same as A-3605	Reflects Light to Logging Dial Scales
A-3806		Same as A-3606	With A-3807 Mounts A-3808
A-3807		Same as A-3607	With A-3806 Mounts A-3808
A-3808	Shop Manufacture	COVER: aluminum alloy, optical black; rectangular shape; $3\frac{1}{2}$ " lg x $1\frac{1}{4}$ " wd x 0.110 " thk o/a; mts by two 0.296 " wd x 0.398 " lg keyhole shaped holes spaced 2.625 " c to c. $\frac{3}{4}$ " up from flanged edge; marked I-3801, I-3802, X-3801, and X-3802; lower edge bent on a $\frac{1}{2}$ " rad to form $\frac{3}{4}$ " lg flange; RCA part/dwg A-8821403-3	Covers Top of Projection Lamp
A-3809		Same as A-3609	Covers Side and Bottom of Projection Lamp
C-101	For Replacement Use N16-C-45768-8089	CAPACITOR, FIXED: paper dielectric; single sect; $100,000$ mmf p/m 20%; 100 vdcw; HS metal case; $\frac{15}{16}$ " lg x 0.374 " diam; vitamin Q imp; two axial wire lead term; int gnd; marked w/cap, tol, working v, and mfr name; oper temp range -55° C to $+85^{\circ}$ C; Sprague Type 81P10401S3; RCA part/dwg C-737816-353	Grid Bypass, V-101
C-102	N16-C-29713-6603	CAPACITOR, FIXED: mica; 330 mmf p/m 5%; 500 vdcw; characteristic E; $\frac{1}{2}$ " lg x $\frac{9}{16}$ " wd x $\frac{1}{16}$ " thk; molded low loss bakelite case; two axial wire lead term; term mid; color coded; RCA part/dwg C-737837-343	Fixed Antenna Trimmer
C-103	N16-C-59365-1938	CAPACITOR, VARIABLE: air dielectric plate meshing type; single sect; 3 to 33 mmf; SLC; 600 v RMS 60 cyc; $\frac{15}{16}$ " lg x $\frac{5}{8}$ " wd x $\frac{3}{4}$ " h excluding shaft; shaft; 0.2183 " diam x $\frac{13}{16}$ " lg; extension shaft; adj; 28 brass nickel pl; 360 deg rotation either direction; ceramic insulation; solder lug term; single hole mtg by $\frac{3}{16}$ "— 32 thd x $\frac{1}{4}$ " bushing; RCA part/dwg A-8833296-2	Variable, Antenna Trimmer
C-104	For Replacement Use N16-C-44111-1231	CAPACITOR, FIXED: paper dielectric; single sect; $47,000$ mmf p/m 20%; 200 vdcw; HS metal case w/ plastic insulating sleeve; $\frac{7}{8}$ " lg x 0.374 " diam; vitamin Q imp; two axial wire lead term; int gnd; marked w/cap, tol, working v, and mfr name; oper temp range -55° C to $+85^{\circ}$ C; Sprague Type #51P47302S3; RCA part/dwg C-737816-391; p/o Z-101	Screen Bypass, V-101
C-105		Same as C-104; p/o Z-101	Screen Bypass, V-101
C-106	N16-C-29370-7461	CAPACITOR, FIXED: mica; 220 mmf p/m 5%; 500 vdcw; characteristic E; $\frac{1}{2}$ " lg x $\frac{9}{16}$ " wd x $\frac{1}{16}$ " thk; molded low loss bakelite case; two axial wire lead term; term mid; color coded; RCA part/dwg C-737837-389; p/o Z-101	Fixed Antenna Trimmer for LO Input Antenna
C-107	For Replacement Use N16-C-42763-5753	CAPACITOR, FIXED: paper dielectric; single sect; $10,000$ mmf p/m 20%; 100 vdcw; HS metal case; $\frac{7}{8}$ " lg x 0.237 " diam; vitamin Q imp; two axial wire leads; no int gnd; ins; marked w/cap, tol, working v, and mfr name; oper temp range -55° C to $+85^{\circ}$ C; Sprague Type SP-91P-A1FF-103M; RCA part/dwg C-737816-27; p/o Z-101	Antenna Blocking
C-108 thru C-125		Not Used	

**AN/SRR-11, AN/SRR-12,
AN/SRR-13, AN/SRR-13A
PARTS LIST**

NAVSHIPS 91875(A)

**Section 8
C-126-C-156**

C-126	N16-C-16245-8001	CAPACITOR, FIXED; ceramic dielectric; 27 mmf p/m 5%; 500 vdcw; neg temp coef 1400 mmf/mf/°C tol p/m 15%; 0.475" lg x 0.230" diam less term; two axial wire lead term 1 1/2" lg hot solder dip; ceramic ins; all parts to be ins; oper temp range -55° C to +85° C; parts to be color coded or stamped w/mfr name and type #, cap, and tol; RCA part/dwg A-8825430-20	Compensating Capacitor, T-130 Secondary
C-127	For Replacement Use N16-C-40120-4737	CAPACITOR, FIXED; paper dielectric; single sect; 2200 mmf p/m 10%; 300 vdcw max at 85° C; molded phenolic case; 3/4" lg x 0.175" diam; Pokar impr; two axial wire lead term; not int grd; term mtd; oper temp range -55° C to +85° C; -8% cap change at -55° C, +4.5% cap change at +85° C; color coded; Sprague Type 2200 mmf; RCA part/dwg C-737845-189	Loading Capacitor, T-130 Primary
C-128	N16-C-58716-4907	CAPACITOR, VARIABLE; air dielectric; plate meshing type; single sect; 2.6 to 19.7 mmf; 500 v 60 cyc RMS; SLC; 1 1/2" lg x 3/4" wd x 3/4" h excluding shaft; shaft 0.187" diam x 1/2" lg; scdr adj; 10 stator; 11 rotor plates; 360 deg rotation either direction; ceramic ins; solder lug term; single hole mfg by 3/4" - 32 x 3/4" lg bushing; Q, 500 min; RCA part/dwg B-482181-1	Trimmer Capacitor, T-130 Secondary
C-129		Same as C-126	Compensating Capacitor, T-129 Secondary
C-130	For Replacement Use N16-C-41052-5966	CAPACITOR, FIXED; paper dielectric; single sect; 4700 mmf p/m 10%; 200 vdcw at 85° C, 150 v DC at 125° C; molded phenolic case; 3/4" lg x 0.175" diam; Pokar impr; two axial wire lead term; not int grd; term mtd; -55 deg C min oper temp; -8% cap change at -55° C, +10% cap change at +125° C; color coded; Sprague Type 75P47292; RCA part/dwg C-737845-163	Loading Capacitor, T-128 Primary
C-131		Same as C-128	Trimmer Capacitor, T-129 Secondary
C-132	For Replacement Use N16-C-16237-2583	CAPACITOR, FIXED; JAN type CC21UJ270J; ceramic dielectric; 27 mmf p/m 5%; 500 vdcw; neg temp coef 750 (tol +120 -350) mmf/mf/° C; 0.562" lg x 0.25" diam; two axial wire lead term; term mtd; uninsulated; spec JAN-C-20A; RCA part/dwg P-722407-420	Compensating Capacitor, T-128 Secondary
C-133	For Replacement Use N16-C-42807-4012	CAPACITOR, FIXED; paper dielectric; single sect; 12,000 mmf p/m 10%; 200 vdcw at 85° C; 150 vdcw at 125° C; molded phenolic case; 3/4" lg x 0.250" diam; Pokar impr; two axial wire lead term; not int grd; term mtd; -55 deg C min oper temp; -8% cap change at -55° C, +10% cap change at +125° C; color coded; Sprague, Pokar Type 75P; 12,000 mmf; RCA part/dwg C-737845-168	Loading Capacitor, T-127 Primary
C-134		Same as C-128	Trimmer Capacitor, T-128 Secondary
C-135		Same as C-132	Compensating Capacitor, T-127 Secondary
C-136	For Replacement Use N16-C-44111-1231	CAPACITOR, FIXED; paper dielectric; single sect; 0.047 mf p/m 10%; 100 vdcw; HS metal case w/plastic ins sleeve; 3/8" lg x 0.374" diam less term; vitamin Q impr; two axial wire lead term 1 3/8" lg; int grd; marked w/cap, tol, working v and mfr name, oper temp range -55° C to +85° C; Sprague Type 81P-47391S3; RCA part/dwg C-737816-331	Loading Capacitor, T-126 Primary
C-137		Same as C-128	Trimmer Capacitor, T-127 Secondary
C-138		Same as C-132	Compensating Capacitor, T-126 Secondary
C-139	For Replacement Use N16-C-42733-5753	CAPACITOR, FIXED; paper dielectric; single sect; 10,000 mmf p/m 10%; 100 vdcw at 125° C; molded phenolic case; 3/4" lg x 0.200" diam; Pokar impr; two axial wire lead term; not int grd; term mtd; oper temp range -55° C to +125° C; -8% cap change at -55° C, +10% cap change at +125° C; color coded; Sprague Type 75P10391; RCA part/dwg C-737845-137	Loading Capacitor, T-127, T-128, T-129 Primary
C-140		Same as C-128	Trimmer Capacitor, T-126 Secondary
C-141		Same as C-101	Compensating Capacitor, T-126 Secondary
C-142	N16-C-99999-1130	CAPACITOR, FIXED; paper dielectric; single sect; 100,000 mmf p/m 20%; 200 vdcw; HS metal case; 3/4" lg x 4.00" diam less term; two axial wire lead term; one ea end; vitamin Q impr; no int grd connections; term mtd; marked w/cap, tol, rated working v, and mfr's name; oper temp range -55° C to +85° C; Sprague Electric Co. Cat #91P10402S2; RCA part/dwg C-737816-233	Blocking Capacitor, T-126 thru T-130 Secondaries
C-143	N16-C-15953-2999	CAPACITOR, FIXED; JAN type CC21CH120J; 12 mmf p/m 5%; 500 vdcw; temp coef 0 (tol +60 -112.5) mmf/mf/° C; 0.562" lg x 0.25" diam; two axial wire leads; ceramic ins; color coded; spec JAN-C-20A; RCA part/dwg C-722407-64	Screen Bypass, V-126
C-144 thru C-150		Not Used	Coupling Capacitor, Calibrator Input
C-151		Same as C-126	Compensating Capacitor, T-155 Secondary
C-152		Same as C-128	Trimmer Capacitor, T-155 Secondary
C-153		Same as C-132	Compensating Capacitor, T-154 Secondary
C-154		Same as C-128	Trimmer Capacitor, T-154 Secondary
C-155	N16-C-16149-5001	CAPACITOR, FIXED; ceramic dielectric; 22 mmf p/m 5%; 500 vdcw; variable temp coef; 0.475" lg max x 0.230" diam max; two axial wire lead term; term mtd; ceramic ins; RCA part/dwg A-8825430-18	Compensating Capacitor, T-153 Secondary
C-156		Same as C-128	Trimmer Capacitor, T-153 Secondary

CHANGE 1

CONTRACT NOber-52014

TABLE 8-4. TABLE OF REPLACEABLE PARTS—Continued
RADIO RECEIVING SETS AN/SRR-11, AN/SRR-12, AN/SRR-13, AN/SRR-13A

REF. SYMBOL	STOCK NUMBERS SIGNAL CORPS STANDARD NAVY AIR FORCE	NAME OF PART AND DESCRIPTION	LOCATING FUNCTION
C-157		Same as C-132	Compensating Capacitor, T-152 Secondary
C-158		Same as C-128	Trimmer Capacitor, T-152 Secondary
C-159		Same as C-132	Compensating Capacitor, T-151 Secondary
C-160		Same as C-128	Trimmer Capacitor, T-151 Secondary
C-161		Same as C-101; p/o Z-151	Cathode Resistor Bypass, V-151
C-162	For Replacement Use N16-C-45770-1812	CAPACITOR, FIXED; paper dielectric; single sect; 100,000 mmf p/m 20%; 200 vdcw; HS metal case; 1 3/8" lg x 0.400" diam less term; vitamin Q impr; two axial wire lead term; int gnd; marked w/cap, tol, working v, and mfr's name; oper temp range -55° C to +85° C; Sprague Type 81P10402S1; RCA part/dwg C-737816-553; p/o Z-126	Screen Bypass, V-151
C-163 thru C-200		Not Used	
C-201	N16-C-99999-1131	CAPACITOR, FIXED; mica dielectric; 600 mmf p/m 1%; 500 vdcw; temp coef 0, (tol -0 to +50) mmf/mf/° C; molded thermosetting material completely enclosing all elements; case 3/4" max lg x 1 3/4" max wd x 1/2" max d; two solid wire lead term, 1 1/2" min lg ea, located axially one ea end; term mtd; color coded; capacitance drift shall not exceed 0.05% p/m 0.1 mmf; marked w/ RCA part/dwg B-465842-11; moisture proof sealing; RCA part/dwg B-465842-11	Series Padder for L-205/C-251A
C-202	N16-C-16363-7679	CAPACITOR, FIXED; ceramic dielectric; 36 mmf p/m 2%; 500 vdcw; temp coef 0 ±15% tol; 0.460" lg x 0.230" diam; two radial wire lead term; term mtd; uninsulated; polystyrene lacquer coated; color coded; RCA part/dwg C-748269-25	Compensating Capacitor, L-205
C-203	N16-C-15955-9916	CAPACITOR, FIXED; ceramic dielectric; 12 mmf p/m 5%; 500 vdcw; neg temp coef 150 (tol ±15) mmf/mf/° C; 0.520" lg x 0.395" wd x 3/8" max thk; two axial wire lead term; term mtd; uninsulated; polystyrene lacquer coated; marked w/ cap, temp coef, and RCA part/dwg #; RCA part/dwg C-748269-27	Tunes L-205
C-204		Same as C-128	Variable Trimmer, L-205
C-205	N16-C-99999-1132	CAPACITOR, FIXED; mica dielectric; 906 mmf p/m 1%; 500 vdcw; temp coef 0 (tol -0 to +50) mmf/mf/° C; molded thermosetting material completely enclosing all elements; case 3/4" max lg x 1 3/4" max wd x 1/2" max d; two solid wire lead term, 1 1/2" min lg ea, located axially one ea end; term mtd; color coded; capacitance drift shall not exceed 0.05% p/m 0.1 mmf; marked w/ RCA part/dwg B-465842-12; moisture proof sealing; RCA part/dwg B-465842-12	Series Padder for L-204/C-251
C-206	N16-C-16139-5946	CAPACITOR, FIXED; ceramic dielectric; 22 mmf p/m 2%; 500 vdcw; neg temp coef 150 (tol ±15) mmf/mf/° C; 0.520" lg x 0.395" wd x 3/8" thk; two axial wire lead term; term mtd; uninsulated; marked w/cap, temp coef, RCA part/dwg #; RCA part/dwg C-748269-21	Compensating Capacitor, L-204
C-207	N16-C-15967-8367	CAPACITOR, FIXED; ceramic dielectric; 13 mmf p/m 2%; 500 vdcw; temp coef 0 (tol ±15) mmf/mf/° C; 0.460" lg x 0.230" diam; two radial wire lead term; term mtd; uninsulated; color coded; RCA part/dwg C-748269-20	Compensating Capacitor for L-204
C-208		Same as C-128	Variable Trimmer, L-204
C-209	N16-C-99999-1133	CAPACITOR, FIXED; mica dielectric; 220 mmf p/m 1%; 500 vdcw; temp coef 0, (tol -0 to +40) mmf/mf/° C; molded thermosetting material completely enclosing all elements; case 3/4" max lg x 1 3/4" max wd x 1/2" max d; two solid wire lead term, 1 1/2" min lg ea, located axially one ea end; term mtd; color coded; capacitance drift shall not exceed 0.05% p/m 0.1 mmf; marked w/ RCA part/dwg B-465842-13; moisture proof sealing; RCA part/dwg B-465842-13	Series Padder for L-203/C-251A
C-210	N16-C-16172-9403	CAPACITOR, FIXED; ceramic dielectric; 24 mmf p/m 2%; 500 vdcw; neg temp coef 220 (tol ±33) mmf/mf/° C; 0.400" lg x 0.200" diam; two axial wire lead term; term mtd; uninsulated; polystyrene lacquer coated; color coded; RCA part/dwg C-748269-28	Compensating Capacitor for L-203
C-211	N16-C-28547-6325	CAPACITOR, FIXED; mica; 100 mmf p/m 1%; 500 vdcw; temp coef -0 to +40 mmf/mf/° C; capacitance drift 0.05% max; 3/4" lg x 1 1/2" wd x 1 3/4" h; phenolic case; two axial wire leads one ea end in ctr ea 1 1/2" lg min x 0.032" diam; term mtd; RCA part/dwg B-465842-1	Compensating Capacitor, L-203
C-212		Same as C-128	Variable Trimmer, L-203
C-213		Same as C-210	Compensating Capacitor, L-202

**AN/SRR-11, AN/SRR-12,
AN/SRR-13, AN/SRR-13A
PARTS LIST**

NAVSHIPS 91875(A)

**Section 8
C-214-C-254**

C-214	N16-C-29084-4698	CAPACITOR, FIXED: mica dielectric; 162 mmf p/m 1%; 500 vdw; temp coef 0, (tol -0 to +40) mmf/mi/° C; molded thermosetting material completely enclosing all elements; case 1/4" max lg x 1/4" max wd x 1/4" max d; two solid wire lead term, 1 1/8" min lg ea, located axially one ea end; term mid; color coded; capacitance drift shall not exceed 0.05% p/m 0.1 mmf; marked w/ RCA part/dwg B-465842-8; moisture proof sealing; RCA part/dwg B-465842-8	Compensating Capacitor, L-202
C-215	N16-C-29259-8168	CAPACITOR, FIXED: mica dielectric; 200 mmf p/m 1%; 500 vdw; temp coef 0, (tol -0 to +40) mmf/mi/° C; molded thermosetting material completely enclosing all elements; case 1/4" max lg x 1/4" max wd x 1/4" max d; two solid wire lead term, 1 1/8" min lg ea, located axially one ea end; term mid; color coded; capacitance drift shall not exceed 0.05% p/m 0.1 mmf; marked w/ RCA part/dwg B-465842-10; moisture proof sealing; RCA part/dwg B-465842-10	Fixed Trimmer, L-202
C-216		Same as C-128	Variable Trimmer, L-202
C-217	N16-C-99999-1134	CAPACITOR, FIXED: mica dielectric; 183 mmf p/m 1%; 500 vdw; temp coef 0, (tol -0 to +40) mmf/mi/° C; molded thermosetting material completely enclosing all elements; case 1/4" max lg x 1/4" max wd x 1/4" max d; two solid wire lead term, 1 1/8" min lg ea, located axially one ea end; term mid; color coded; capacitance drift shall not exceed 0.05% p/m 0.1 mmf; marked w/ RCA part/dwg B-465842-9; moisture proof sealing; RCA part/dwg B-465842-9	With C-222, Series Padder, L-201/C-251A
C-218	N16-C-16076-9386	CAPACITOR, FIXED: ceramic dielectric; 20 mmf p/m 2%; 500 vdw; neg temp coef 470 (tol ±40) mmf/mi/° C; 0.400" lg x 0.200" diam; two axial wire lead term; term mid; uninsulated; polystyrene lacquer coated; color coded; RCA part/dwg C-748269-26	Compensating Capacitor, L-201
C-219	N16-C-28716-1433	CAPACITOR, FIXED: mica dielectric; 120 mmf p/m 1%; 500 vdw; temp coef 0 to +40 parts/million/° C; molded thermosetting material completely enclosing all elements; 1/4" lg x 1/4" wd x 1/4" d; two axial wire lead term, 1 1/8" lg; one ea end; term mid; color coded; capacitance drift shall not exceed 0.05% p/m 0.1 mmf; marked w/ RCA part/dwg #; moisture proof sealing; RCA part/dwg B-465842-7	Fixed Trimmer, L-201
C-220		Same as C-128	Variable Trimmer, L-201
C-221		Not Used	
C-222			
C-223	N16-C-30109-3330	CAPACITOR, FIXED: mica; 470 mmf p/m 5%; 300 vdw; characteristic E; 1/4" lg x 1/4" wd x 1/4" thk; molded low loss bakelite case; two axial wire lead term; term mid; color coded; RCA part/dwg C-737837-347; p/o Z-201	Grid Bias Capacitor, V-201
C-224	N16-C-40358-1930	CAPACITOR, FIXED: paper dielectric; single sect; 2700 mmf p/m 10%; 300 vdw max at 85° C; molded phenolic case; 1/4" lg x 0.175" diam; Pokar imp; two axial wire lead term; no int grd; term mid; oper temp range -55° C to +85° C; -8% cap change at -55° C, +4.5% change at +85° C; color coded; Sprague Type 75P27293; RCA part/dwg C-737845-190; p/o Z-201	Screen Bypass, V-201
C-225		Same as C-162; p/o Z-201	Plate Supply Bypass, V-201
C-226		Same as C-106; p/o Z-201	Output Coupling, V-201 Plate
C-227		Same as C-101; p/o Z-201	Heater Bypass, V-201
C-228 thru C-250		Not Used	
C-251	N16-C-65586-1001	CAPACITOR, VARIABLE: air dielectric; plate meshing type; 4 sect; c/o C-251-A, C-251-B, C-251-C, C-251-D; 16 mmf to 300 mmf per sect; 250 v RMS test v; SLC; 8 1/2" lg x 2.781" wd x 3 1/2" h approx; 1/4" diam x 1/4" lg shaft; extension shaft adj; 31 plates ea sect; front sect steel, silver pl, other sect brass, silver pl; 187 deg clockwise rotation; ceramic ins; solder lug term; two #32 tapped mtg holes on 1" lg o in block on top, and three #10-32 mtg studs on 1.953" x 7.437" mtg/c on bottom; ea sect shielded from all other sects; all sect sealed against liquids and gases for a differential up to p/m 3 psi; resistant to 200-hr salt spray test; RCA part/dwg C-744507-1	Gang Tuning Capacitor Type I Receiver
C-251A		P/o C-251	
C-251B		P/o C-251	
C-251C		P/o C-251	
C-251D		P/o C-251	
C-252	N16-C-49983-2357	CAPACITOR, FIXED: metallized paper; single sect; 4 mf p/m 20%; 150 vdw; HS metal can; 1 1/4" lg x 1" wd x 1/4" thk; wax imp; two solder lug term 1/4" lg located on top spaced 1" c to c; no int grd; two integral mtg ears, one 1/4" diam hole in ea ear on 2 1/4" mtg/c; term hot solder dipped, marked w/cap, working v, and RCA part/dwg #; RCA part/dwg C-737868-131	Heater Circuit Filter
C-253		Same as C-101	Manual Gain Circuit Bypass
C-254	For Replacement Use N16-C-45770-1812	CAPACITOR, FIXED: paper dielectric; single sect; 100,000 mmf p/m 10%; 200 vdw; HS metal case w/plastic ins sleeve; 1 1/4" lg x 0.462" diam; vitamin Q imp; two axial wire lead term; int grd; marked w/cap, tol, working v, and mfr name; oper temp range -55° C to +85° C; Sprague Type 5F81FA2FC104K; RCA part/dwg C-737816-373	Plate Supply Bypass

CONTRACT NObar-52014

TABLE 8-4. TABLE OF REPLACEABLE PARTS—Continued
RADIO RECEIVING SETS AN/SRR-11, AN/SRR-12, AN/SRR-13, AN/SRR-13A

REF. SYMBOL	STOCK NUMBERS SIGNAL CORPS STANDARD NAVY AIR FORCE	NAME OF PART AND DESCRIPTION	LOCATING FUNCTION
C-255 thru C-302		Not Used	
C-303		Same as C-128	Variable Trimmer, L-301
C-304		Not Used	
C-305	For Replacement Use N16-C-99999-0056	CAPACITOR, FIXED: ceramic dielectric; 12 mmf p/m 10%; 500 vdcw; variable temp coef; 0.475" max lg x 0.230" max diam; two axial wire lead term; term mtd; ceramic ins; RCA part/dwg A-8625430-14	Compensating Capacitor, Type II Antenna Transformers
C-306		Same as C-128	Variable Trimmer, L-302
C-307		Not Used	
C-308		Same as C-128	Variable Trimmer, L-303
C-309		Not Used	
C-310		Not Used	
C-311	N16-C-26020-7691	CAPACITOR, FIXED: mica dielectric; 10 mmf p/m 5%; 500 vdcw; temp coef ltr C; molded low loss bakelite case; 3/4" lg x 1 1/4" wd x 1/2" h; two axial wire lead term, one ea end; term mtd; color coded; RCA part/dwg C-748252-310	Fixed Trimmer, T-304 Secondary
C-312		Same as C-128	Variable Trimmer, L-304
C-313		Not Used	
C-314	N16-C-26601-1443	CAPACITOR, FIXED: mica dielectric; 18 mmf p/m 5%; 500 vdcw; temp coef ltr C; molded low loss bakelite case; 3/4" lg x 1 1/4" wd x 1/2" h; two axial wire lead term, one ea end; term mtd; color coded; RCA part/dwg C-748252-313	Fixed Trimmer, T-305 Secondary
C-315		Same as C-128	Variable Trimmer, L-305
C-316		Same as C-311	Top Coupling, T-301
C-317		Same as C-311	Top Coupling, T-302
C-318	N16-C-99999-0037	CAPACITOR, FIXED: mica; 5 mmf p/m 5%; 500 vdcw; temp coef ltr C; 3/4" max lg x 1 1/4" max wd x 1/2" max thk; molded bakelite case; two axial wire lead term; term mtd; color coded; RCA part/dwg C-748252-305	Top Coupling, T-303
C-319		Same as C-318	Top Coupling, T-304
C-320		Same as C-305	Compensating Capacitor, Type II Antenna Coils
C-321	For Replacement Use N16-C-42733-5753	CAPACITOR, FIXED: paper dielectric; single sect; 10,000 mmf p/m 10%; 400 vdcw; HS metal case; 7/8" lg x 0.297" diam; vitamin Q impr; two axial wire lead term; no int gnd; marked w/cap, tol, working v, and mfr name; oper temp range -55° C to +85° C; Sprague Type 5P-91P-A1FE103K; RCA part/dwg C-737816-87	Automatic Gain Control Bypass
C-322	N16-C-29370-7451	CAPACITOR, FIXED: mica; 220 mmf p/m 5%; 500 vdcw; temp coef ltr C; 3/4" max lg x 1 1/4" max wd x 1/2" max thk; molded bakelite case; two axial wire lead term; term mtd; color coded; RCA part/dwg C-748252-339	With R-304 Antenna Isolation Network
C-323	For Replacement Use N16-C-42733-5753	CAPACITOR, FIXED: paper dielectric; single sect; 10,000 mmf p/m 20%; 100 vdcw; HS metal case w/plastic ins sleeve; 1 1/8" lg x 0.237" diam; vitamin Q impr; two axial wire lead term; int gnd; marked w/cap, tol, working v, and mfr name; oper temp range -55° C to +85° C; Sprague Type 81P1030IS3; RCA part/dwg C-737816-347; p/o Z-301	Cathode Resistor Bypass, V-301
C-324	For Replacement Use N16-C-42733-5758	CAPACITOR, FIXED: paper dielectric; single sect; 10,000 mmf p/m 20%; 400 vdcw; HS metal case w/plastic ins sleeve; 1 1/8" lg x 0.297" diam; vitamin Q impr; two axial wire lead term; int gnd; marked w/cap, tol, working v, and mfr name; oper temp range -55° C to +85° C; Sprague Type 81P1030AS3; RCA part/dwg C-737816-427; p/o Z-301	Screen Bypass, V-301
C-325		Same as C-311; p/o Z-301	Plate Bypass, V-301
C-326		Same as C-318	Fixed Trimmer, T-326 Secondary
C-327		Same as C-223	Loading, T-326 Primary

AN/SRR-11, AN/SRR-12,
AN/SRR-13, AN/SRR-13A
PARTS LIST

NAVSHIPS 91875(A)

Section 8
C-328—C-367

C-328	Same as C-128	Variable Trimmer, T-326 Secondary Loading, T-327 Primary
C-329	Same as C-102	
C-330	Not Used	
C-331	Same as C-128	Variable Trimmer, T-327 Secondary
C-332	Not Used	
C-333	Same as C-128	Variable Trimmer, T-328 Secondary
C-334	Not Used	
C-335	Same as C-128	Variable Trimmer, T-329 Secondary
C-336	Not Used	
C-337	Same as C-128	Variable Trimmer, T-330 Secondary
C-338	Same as C-321	RF Ground Return, T-326 Thru T-330 Secondaries
C-339	Same as C-321	RF Ground Return, T-326 Thru T-330 Primaries
C-340	Same as C-323; p/o Z-326	Cathode Resistor Bypass, V-326
C-341	Same as C-324; p/o Z-326	Screen Bypass, V-326
C-342	N16-C-26025-8210	Plate Bypass, V-326
C-343	Same as C-305	Compensator R. F. Coils
C-344 thru C-351	Not Used	
C-352	Same as C-127	Loading, T-351 Primary
C-353	Same as C-311	Fixed Trimmer, T-351 Secondary
C-354	Same as C-128	Variable Trimmer, T-351 Secondary Loading, T-352 Primary
C-355	N16-C-30921-8710	Fixed Trimmer, T-352 Secondary
C-356	Same as C-311	Variable Trimmer, T-352 Secondary Loading, T-353 Primary
C-357	Same as C-128	Fixed Trimmer, T-353 Secondary
C-358	N16-C-30102-8362	Variable Trimmer, T-353 Secondary Loading, T-354 Primary
C-359	Same as C-311	Fixed Trimmer, T-354 Secondary
C-360	Same as C-128	Variable Trimmer, T-354 Secondary Loading, T-355 Primary
C-361	N16-C-28547-8665	Fixed Trimmer, T-355 Secondary
C-362	Same as C-311	Variable Trimmer, T-355 Secondary Loading, T-356 Primary
C-363	Same as C-128	Fixed Trimmer, T-356 Secondary
C-364	N16-C-27360-8529	Variable Trimmer, T-356 Secondary Loading, T-357 Primary
C-365	N16-C-26199-9182	Fixed Trimmer, T-357 Secondary
C-366	Same as C-128	Variable Trimmer, T-357 Secondary
C-367	N16-C-27577-1231	Grid Coupling, V-357

TABLE 8-4. TABLE OF REPLACEABLE PARTS—Continued
RADIO RECEIVING SETS AN/SRR-11, AN/SRR-12, AN/SRR-13, AN/SRR-13A

REF. SYMBOL	STOCK NUMBERS SIGNAL CORPS STANDARD NAVY AIR FORCE	NAME OF PART AND DESCRIPTION	LOCATING FUNCTION
C-368		Same as C-323; p/o Z-351	Cathode Resistor Bypass, V-351
C-369		Same as C-324; p/o Z-351	Screen Bypass, V-351
C-370		Same as C-367; p/o Z-351	Grid Coupling, V-352
C-371		Same as C-323; p/o Z-351	Output Coupling from V-352 Cathode
C-372		Same as C-324; p/o Z-351	Plate Bypass, V-352
C-373 thru C-400		Not Used	
C-401	N16-C-299803-4189	CAPACITOR, FIXED: mica; 396 mmf p/m 1%; 500 vdcw; temp coef 0 to +40 mmf/mf/° C; capacitance drift 0.05% p/m 0.1 mmf max; $\frac{1}{4}$ " lg x $\frac{1}{4}$ " wd x $\frac{1}{8}$ " thk max; molded low loss bakelite case; two axial wire lead term; term mtd; marked w/ RCA part/dwg #; color coded; RCA part/dwg B-465842-14	Series Pad for L-401
C-402		Same as C-207	With C-403 Compensates L-401
C-403		Same as C-206	With C-402 Compensates L-401
C-404		Same as C-128	Variable Trimmer, L-401
C-405	N16-C-30573-2645	CAPACITOR, FIXED: mica; 696 mmf p/m 1%; 500 vdcw; temp coef 0 to +50 mmf/mf/° C; capacitance drift 0.05% p/m 0.1 mmf max; $\frac{1}{4}$ " lg x $\frac{1}{4}$ " wd x $\frac{1}{8}$ " thk max; molded low loss bakelite case; two axial wire lead term; term mtd; marked w/ RCA part/dwg #; color coded; RCA part/dwg B-465842-15	Series Pad for L-402
C-406	N16-C-16236-5873	CAPACITOR, FIXED: ceramic dielectric; 27 mmf p/m 2%; 300 vdcw; temp coef NPO tol p/m 15 mmf; uninsulated; 0.406" lg x 0.230" diam; two radial wire lead term, $1\frac{1}{4}$ " lg; term mtd; polystyrene lacquer coated; color coded; marked w/RCA part/dwg #; RCA part/dwg C-748269-7	Compensates L-402
C-407		Same as C-128	Variable Trimmer, L-402
C-408	N16-C-31343-9216	CAPACITOR, FIXED: mica; 1300 mmf p/m 1%; 500 vdcw; temp coef 0 to 50 mmf/mf/° C; capacitance drift 0.05% p/m 0.1 mmf max; $\frac{1}{4}$ " lg x $\frac{1}{4}$ " wd x $\frac{1}{8}$ " thk max; molded low loss bakelite case; two axial wire lead term; term mtd; marked w/RCA part/dwg #; color coded; RCA part/dwg B-465842-16	Series Pad for L-403
C-409	N16-C-16044-5760	CAPACITOR, FIXED: ceramic dielectric; 18 mmf p/m 0.25 mf; 500 vdcw; neg temp coef 150 (tol ± 15) mmf/mf/° C; 0.520" lg x 0.395" wd x $\frac{1}{8}$ " thk; two axial wire lead term; term mtd; uninsulated; marked w/cap, temp coef, RCA part/dwg #; RCA part/dwg C-748269-22	Compensates L-403
C-410		Same as C-128	Variable Trimmer, L-403
C-411		Same as C-401	Series Padder L-404, C-451A
C-412	N16-C-16172-1118	CAPACITOR, FIXED: ceramic dielectric; 24 mmf p/m 2%; 500 vdcw; temp coef 0 (tol ± 15) mmf/mf/° C; 0.460" lg x 0.230" diam; two radial wire lead term; term mtd; uninsulated; color coded; RCA part/dwg C-748269-23	With C-413 Compensates L-404
C-413	N16-C-15974-3167	CAPACITOR, FIXED: ceramic dielectric; 15 mmf p/m 0.25 mmf; 500 vdcw; pos temp coef 100 (tol ± 15) mmf/mf/° C; 0.520" lg x 0.395" wd x $\frac{1}{8}$ " thk; two axial wire lead term; term mtd; uninsulated; marked w/cap, temp coef, RCA part/dwg #; RCA part/dwg C-748269-24	With C-412 Compensates L-404
C-414		Same as C-128	Variable Trimmer, L-404
C-415		Same as C-405	Series Pad for L-405
C-416	N16-C-16299-7701	CAPACITOR, FIXED: ceramic; 33 mmf p/m 2%; 300 vdcw; temp coef 0.00 (tol ± 15) mmf/mf/° C; 0.460" lg x 0.230" diam; two radial wire leads 0.025" diam x $1\frac{1}{4}$ " lg min; term mtd; ceramic ins; capacitance drift 0.05% or 0.02 mmf max; RCA part/dwg C-748269-9	Compensates L-405
C-417		Same as C-318	Compensating Capacitor, L-403
C-418		Same as C-128	Variable Trimmer, L-405
C-419		Same as C-367; p/o Z-401	Output Coupling, V-401 Plate

C-420	Same as C-324; p/o Z-401	Plate Supply Decoupling, V-401
C-421	Same as C-367; p/o Z-401	Grid Coupling, V-401
C-422	Same as C-324; p/o Z-401	Screen Bypass, V-401
C-423	N16-C-26838-5145	Cathode Resistor Bypass, V-401
C-424 thru C-450	Not Used	
C-451	N16-C-63656-1001	Gang Tuning Capacitor, Type II Receiver
C-451A		
C-451B		
C-451C		
C-451D		
C-451E		
C-452	N16-C-29602-9679	Tunes T-451 Primary
C-453		Manual Gain Control Circuit Filtering
C-454		Regulated Plate Supply Filtering
C-455		Automatic Gain Control Filtering and Time Constant
C-456	N16-C-59261-4029	Antenna Trimmer
C-457	For Replacement Use N16-C-45773-8071	Plate Supply Filtering, Type II Antenna Unit
C-458		Plate Supply Filtering, Type II RF Unit
C-459		Plate Supply Filtering, Type II Mixer Unit
C-460		Plate Supply Filtering, Type II Oscillator Unit
C-461	For Replacement Use N16-C-15528-5533	Input Coupling for Type II Calibrator
C-462 thru C-500	Not Used	
C-501		Variable Trimmer, L-501
C-501-1		Automatic Gain Control Filtering, V-501
C-502		Variable Trimmer, L-502
C-502-1		Grid Coupling, V-501
C-503		Variable Trimmer, L-503
C-503-1		Cathode Resistor Bypass, V-501
C-504		Variable Trimmer, L-504
C-504-1		Screen Bypass, V-501

TABLE 8-4. TABLE OF REPLACEABLE PARTS—Continued
RADIO RECEIVING SETS AN/SRR-11, AN/SRR-12, AN/SRR-13, AN/SRR-13A

REF. SYMBOL	STOCK NUMBERS SIGNAL CORPS STANDARD NAVY AIR FORCE	NAME OF PART AND DESCRIPTION	LOCATING FUNCTION
C-505		Same as C-128	Variable Trimmer, L-505
C-505-1		Same as C-305	Coupling to L-501
C-506	N16-C-15528-5428	CAPACITOR, FIXED: JAN type CC20CJ080C; ceramic dielectric; 3 mmf p/m 0.25 mmf; 500 vdcw; temp coef 0 (tol +120 -187) mmf/mf/°C; 0.400" lg x 0.200" diam; two radial wire lead term; term mtd; uninsulated; color coded; spec JAN-C-20; RCA part/dwg P-722401-56	Fixed Trimmer, L-501
C-506-1		Same as C-323	Heater Bypass, V-501
C-507	N16-C-15912-4628	CAPACITOR, FIXED: JAN type CC20CH100C; ceramic dielectric; 100 mmf p/m 0.25 mmf; 500 vdcw; temp coef 0 (tol +60 -112) mmf/mf/°C; 0.400" lg x 0.200" diam; two radial wire lead term; term mtd; uninsulated; color coded; spec JAN-C-20; RCA part/dwg P-722401-63	Fixed Trimmer, L-502
C-508		Same as C-507	Fixed Trimmer, L-503
C-509	N16-C-27075-8741	CAPACITOR, FIXED: mica; 27 mmf p/m 5%; 500 vdcw; characteristic E; 1/4" lg x 1/4" wd x 1/4" thk; molded low loss bakelite case; two axial wire lead term; term mtd; color coded; RCA part/dwg C-737837-317	Fixed Trimmer, L-504
C-510	N16-C-29862-8448	CAPACITOR, FIXED: mica; 375 mmf p/m 1%; 500 vdcw; characteristic E; 1/4" max lg x 1/4" max wd x 1/4" max thk; molded bakelite case; two axial wire lead term; term mtd; RCA part/dwg A-8824194-4	With C-511, Bandspread Network for L-504
C-511	N16-C-27177-2063	CAPACITOR, FIXED: mica; 33 mmf p/m 2%; 500 vdcw; characteristic E; 1/4" lg x 1/4" wd x 1/4" thk; molded bakelite case; two axial wire lead term; term mtd; color coded; RCA part/dwg C-737837-419	With C-510, Bandspread Network for L-504
C-512	N16-C-16043-9128	CAPACITOR, FIXED: ceramic dielectric; MII type CC20CH180G; 18 mmf p/m 2%; 500 vdcw; temp coef 0 (tol +60) mmf/mf/°C; uninsulated; 0.400" lg x 0.200" diam; two radial wire lead term; 1/4" lg; term mtd; color coded; RCA part/dwg P-722401-66	Fixed Trimmer, L-505
C-513		Same as C-511	With C-514, Bandspread Network for L-505
C-514	N16-C-28916-5043	CAPACITOR, FIXED: mica; 140 mmf p/m 1%; 500 vdcw; characteristic E; 1/4" lg x 1/4" wd x 1/4" max h; molded low loss bakelite case; two axial wire lead term; term mtd; color coded; RCA part/dwg A-8824194-2	With C-513, Bandspread Network for L-505
C-515	N16-C-15978-6001	CAPACITOR, FIXED: ceramic dielectric; JAN type CC20CH150G; 15 mmf p/m 2%; temp coef 0 (tol +60 -112) mmf/mf/°C; 500 vdcw; 0.400" lg x 0.200" diam; two radial wire lead term; term mtd; ceramic ins; color coded; RCA part/dwg P-722401-65	Fixed Trimmer, T-501 Secondary
C-516		Same as C-515	Fixed Trimmer, T-502 Secondary
C-517		Same as C-515	Fixed Trimmer, T-503 Secondary
C-518	N16-C-99999-0039	CAPACITOR, FIXED: mica dielectric; 12 mmf p/m 5%; 500 vdcw; temp coef ltr C; 1/4" lg x 1/4" wd x 1/4" thk; molded bakelite case; two axial wire lead term; term mtd; color coded; RCA part/dwg C-748252-311	Fixed Trimmer, T-504 Secondary
C-519	N16-C-29707-7628	CAPACITOR, FIXED: mica; 330 mmf p/m 1%; 500 vdcw; temp coef ltr F; 1/4" lg x 1/4" wd x 1/4" thk; molded bakelite case; two axial wire lead term; term mtd; RSW; color coded; RCA part/dwg C-744583-443	With C-520, Bandspread Network for T-504
C-520	N16-C-16139-8365	CAPACITOR, FIXED: JAN type CC20CH220G; ceramic dielectric; 22 mmf p/m 2%; 0 temp coef (tol +60 -112) mmf/mf/°C; 500 vdcw; case 0.400" max lg x 0.200" max diam less term; two axial wire lead term; term mtd; uninsulated; color coded; spec JAN-C-20A; RCA part/dwg P-722401-68	With C-519, Bandspread Network for T-504
C-521		Same as C-509	Fixed Trimmer, T-505 Secondary
C-522	N16-C-28731-7628	CAPACITOR, FIXED: mica; 120 mmf p/m 1%; 500 vdcw; temp coef ltr F; 1/4" lg x 1/4" wd x 1/4" thk; molded bakelite case; two axial wire lead term; term mtd; RSW; color coded; RCA part/dwg C-744583-433	With C-523, Bandspread Network for T-505
C-523		Same as C-520	With C-522, Bandspread Network for T-505
C-524		Same as C-106	With R-505 Antenna Isolation Network
C-525		Same as C-305	Compensates Antenna Coils
C-526		Same as C-128	Variable Trimmer, T-526 Secondary
C-527		Same as C-128	Variable Trimmer, T-527 Secondary
C-528		Same as C-128	Variable Trimmer, T-528 Secondary
C-529		Same as C-128	Variable Trimmer, T-529 Secondary

**AN/SRR-11, AN/SRR-12,
AN/SRR-13, AN/SRR-13A
PARTS LIST**

NAVSHIPS 91875(A)

**Section 8
C-530 - C-562**

C-530		Same as C-128	Variable Trimmer, T-330 Secondary
C-531	N16-C-99999-0035	CAPACITOR, FIXED: mica; 4 mmf p/m 10%; 500 vdcw; temp coef ltr C; $1/4$ " max lg x $1/4$ " max wd x $1/2$ " max thk; molded bakelite case; two axial wire lead term; term mtd; color coded; RCA part/dwg C-748252-204	Top Coupling T-526
C-532		Same as C-509	Loading, T-526 Primary
C-533	N16-C-15624-4628	CAPACITOR, FIXED: JAN type CC20CH050C; ceramic dielectric; 5 mmf p/m 0.25 mmf; 500 vdcw; 0 temp coef (tol +60 -112) mmf/mf/° C; case 0.400" max lg x 0.200" max diam less term; two axial wire lead term; term mtd; uninsulated; color coded; spec JAN-C-20A; RCA part/dwg P-722401-58	Fixed Trimmer, T-526 Secondary
C-534	N16-C-99999-0038	CAPACITOR, FIXED: mica; 6 mmf p/m 5%; 500 vdcw; temp coef ltr C; $3/4$ " max lg x $1/4$ " max wd x $1/4$ " max thk; molded bakelite case; two axial wire lead term; term mtd; color coded; RCA part/dwg C-748252-306	Top Coupling, T-527
C-535	N16-C-27999-1634	CAPACITOR, FIXED: mica; 68 mmf p/m 5%; 500 vdcw; characteristic E; $1/2$ " lg x $1/4$ " wd x $1/8$ " thk; molded low loss bakelite case; two axial wire lead term; term mtd; color coded; RCA part/dwg C-737837-327	Loading, T-527 Primary
C-536	N16-C-15432-5828	CAPACITOR, FIXED: JAN type CC20CK020C; ceramic dielectric; 2 mmf p/m 0.25 mmf; 500 vdcw; 0 temp coef (tol +250 -340) mmf/mf/° C; case 0.400" max lg x 0.200" max diam less term; two axial wire lead term; term mtd; uninsulated; color coded; spec JAN-C-20; RCA part/dwg P-722401-55	Fixed Trimmer, T-527 Secondary
C-537		Same as C-534	Top Coupling, T-528
C-538		Same as C-311	Fixed Trimmer, T-528 Secondary
C-539		Same as C-507	Fixed Trimmer, T-529 Secondary
C-540	N16-C-29941-4696	CAPACITOR, FIXED: mica; 405 mmf p/m 1%; 300 vdcw; characteristic E; $3/4$ " max lg x $1/4$ " max wd x $1/4$ " max thk; molded low loss bakelite case; two axial wire lead term; term mtd; color coded; RCA part/dwg A-8824194-5	With C-541 Bandsread Network for T-529 Secondary
C-541		Same as C-511	With C-540 Bandsread Network for T-529 Secondary
C-542		Same as C-311	Loading, T-530 Primary
C-543	N16-C-15629-2600	CAPACITOR, FIXED: ceramic dielectric; JAN type CC20UJ050D; 5 mmf p/m 5%; 500 vdcw; neg temp coef 750 (tol +120 -350) mmf/mf/° C; 0.400" lg x 0.200" diam max; two radial wire lead term; uninsulated; color coded; spec JAN-C-20A; RCA part/dwg P-722402-408	Fixed Trimmer, T-530 Secondary
C-544		Same as C-514	With C-545 Bandsread Network for T-530 Secondary
C-545		Same as C-511	With C-544 Bandsread Network for T-530 Secondary
C-546		Same as C-367; p/o Z-526	Grid Coupling, V-526
C-547		Same as C-323; p/o Z-526	Automatic Gain Control Filtering, V-526
C-548		Same as C-323; p/o Z-526	Cathode Resistor Bypass, V-526
C-549		Same as C-324; p/o Z-526	Screen Bypass, V-526
C-550		Same as C-323	Heater Bypass, V-526
C-551		Same as C-128	Variable Trimmer, T-551 Secondary
C-552		Same as C-128	Variable Trimmer, T-552 Secondary
C-553		Same as C-128	Variable Trimmer, T-553 Secondary
C-554		Same as C-128	Variable Trimmer, T-554 Secondary
C-555		Same as C-128	Variable Trimmer, T-555 Secondary
C-556		Same as C-506	Fixed Trimmer, T-551 Secondary
C-557		Same as C-509	Loading, T-551 Primary
C-558		Same as C-534	Top Coupling, T-552
C-559		Not Used	
C-560		Same as C-535	Loading, T-552 Primary
C-561		Same as C-534	Top Coupling, T-553
C-562		Same as C-506	Fixed Trimmer, T-553 Secondary

CONTRACT NObar-52014

TABLE 8-4. TABLE OF REPLACEABLE PARTS—Continued
RADIO RECEIVING SETS AN/SRR-11, AN/SRR-12, AN/SRR-13, AN/SRR-13A

REF. SYMBOL	STOCK NUMBERS SIGNAL CORPS STANDARD NAVY AIR FORCE	NAME OF PART AND DESCRIPTION	LOCATING FUNCTION
C-563	N16-C-26732-9439	CAPACITOR, FIXED: mica; 20 mmf p/m 5%; 500 vdcw; temp coef ltr C; $\frac{1}{4}$ " max lg x $\frac{1}{4}$ " max wd x $\frac{1}{2}$ " max thk; molded bakelite case; two axial wire lead term; term mtd; color coded; RCA part/dwg C-748252-314	Loading, T-553 Primary
C-564		Same as C-512	Fixed Trimmer, T-554 Secondary
C-565	N16-C-29971-5410	CAPACITOR, FIXED: mica; 420 mmf p/m 1%; 300 vdcw; characteristic E; $\frac{1}{4}$ " max lg x $\frac{1}{4}$ " max wd x $\frac{1}{2}$ " max h; molded low loss bakelite case; two axial wire lead term; term mtd; color coded; RCA part/dwg A-8824194-6	With C-566, Bandsread Network for T-554 Secondary
C-566		Same as C-511	With C-565, Bandsread Network for T-554 Secondary
C-567		Same as C-507	Fixed Trimmer, T-555 Secondary
C-568	N16-C-28969-1660	CAPACITOR, FIXED: mica; 150 mmf p/m 1%; 500 vdcw; temp coef ltr F; $\frac{1}{4}$ " lg x $\frac{1}{4}$ " wd x $\frac{1}{2}$ " thk; molded bakelite case; two axial wire lead term; term mtd; RSW; color coded; RCA part/dwg C-744583-435	With C-569, Bandsread Network for T-555 Secondary
C-569		Same as C-511	With C-568, Bandsread Network for T-555 Secondary
C-570	N16-C-26437-6678	CAPACITOR, FIXED: mica dielectric; 15 mmf p/m 2%; 500 vdcw; temp coef ltr C; molded low loss bakelite case; $\frac{1}{4}$ " lg x $\frac{1}{4}$ " wd x $\frac{1}{2}$ " h; two axial wire lead term; term mtd; color coded; RCA part/dwg C-748252-412	Loading, T-555 Primary
C-571		Same as C-367; p/o Z-551	Grid Coupling, V-551
C-572		Same as C-323; p/o Z-551	Cathode Resistor Bypass, V-551
C-573		Same as C-324; p/o Z-551	Screen Bypass, V-551
C-574		Same as C-367; p/o Z-551	Grid Coupling, V-552
C-575	For Replacement Use N16-C-44111-1231	CAPACITOR, FIXED: paper dielectric; single sect; 47,000 mmf p/m 20%; 100 vdcw; HS metal case; $\frac{1}{8}$ " lg x 0.374" diam; vitamin Q impr; two axial wire lead term; int end; marked w/ cap tol, working v, and mfr name; oper temp range -55° to +85° C; Sprague Type SF81PA2FB475M; RCA part/dwg C-737816-351; p/o Z-551	Output Coupling, V-552 Cathode
C-576		Same as C-324; p/o Z-551	Plate Bypass, V-552
C-577		Same as C-305	Compensates Mixer Coils
C-578 thru C-600		Not Used	
C-601		Same as C-128	Variable Trimmer, L-601
C-602		Same as C-128	Variable Trimmer, L-602
C-603		Same as C-128	Variable Trimmer, L-603
C-604		Same as C-128	Variable Trimmer, L-604
C-605		Same as C-128	Variable Trimmer, L-605
C-606	N16-C-99999-0029	CAPACITOR, FIXED: mica; 458 mmf p/m 1% tol; 300 vdcw; temp coef -0 to +40 mmf/mf/° C; capacitance drift 0.05% max; $\frac{1}{4}$ " lg x $\frac{1}{4}$ " wd x $\frac{1}{4}$ " h; phenolic; one axial wire lead ea end ctr 0.032" diam x $\frac{1}{8}$ " lg; term mtd; RCA part/dwg B-465842-3	Series Padder, L-601/C-651A
C-607		Same as C-416	Compensating Capacitor, L-601
C-608	N16-C-015752-4501	CAPACITOR, FIXED: ceramic dielectric; 7 mmf p/m 0.25 mmf; 500 vdcw; temp coef 0 (tol ±15) mmf/mf/° C; 0.200" max diam x 0.400" lg; two radial wire leads; term mid; unisulated; polystyrene lacquer coated; color coded; marked w/ RCA part/dwg #; RCA part/dwg C-748269-1	Compensating Capacitor, L-601
C-609	N16-C-99999-0030	CAPACITOR, FIXED: mica; 820 mmf p/m 1%; 500 vdcw; temp coef -0 to +50 mmf/mf/° C; capacitance drift 0.05% max; $\frac{1}{4}$ " lg x $\frac{1}{4}$ " wd x $\frac{1}{4}$ " h; phenolic case; one axial wire lead term ea end in ctr 0.052" diam x $\frac{1}{8}$ " lg; term mtd; RCA part/dwg B-465842-4	Series Padder, L-602/C-651A

**AN/SRR-11, AN/SRR-12,
AN/SRR-13, AN/SRR-13A
PARTS LIST**

NAVSHIPS 91875(A)

**Section 8
C-610-C-710**

C-610		Same as C-416		Compensating Capacitor, L-602
C-611		Not Used		
C-612	N16-C-99999-0031	CAPACITOR, FIXED; mica; 1400 mmf p/m 1%; 500 vdcw; temp coef -0 to +50 mmf/mf/° C; capacitance drift; 0.05% max; $3/4$ " lg x $1/4$ " wd x $1/4$ " h; phenolic case; one axial wire lead ea end in ctr; 0.032" diam x $1/8$ " lg; term mtd; RCA part/dwg B-465842-5		Series Padder, L-603/C-651A
C-613		Same as C-406		Compensating Capacitor, L-603
C-614		Not Used		
C-615	N16-C-99999-0063	CAPACITOR, FIXED; ceramic dielectric; 10 mmf p/m 0.5 mmf; 500 vdcw; temp coef 0 (tol ± 151) mmf/mf/° C; 0.200" max diam x 0.400" lg; two radial wire leads; term mtd; uninsulated; polystyrene lacquer coated; color coded; marked w/ RCA part/dwg #: RCA part/dwg C-748269-2		Compensating Capacitor for L-604 With C-617, Bandsread Network for L-604 With C-616, Bandsread Network for L-604
C-616		Same as C-416		
C-617	N16-C-29651-6885	CAPACITOR, FIXED; mica; 288 mmf p/m 1%; 500 vdcw; temp coef 0 to +40 mmf/mf/° C; $9/4$ " lg x $1/4$ " wd x $1/4$ " thk; molded low loss bakelite case; two axial wire lead term; term mtd; color coded; RCA part/dwg B-465842-17		Compensating Capacitor, L-605 With C-620, Bandsread Network for L-605 With C-619, Bandsread Network for L-605
C-618		Same as C-206		Output Coupling, V-601
C-619		Same as C-416		Grid Coupling, V-601
C-620		Same as C-219		Heater Bypass, V-601
C-621	For Replacement Use N16-C-26447-1772	CAPACITOR, FIXED; mica dielectric; 15 mmf p/m 5%; 500 vdcw; temp coef ltr C; molded low loss bakelite case; $3/4$ " lg x $1/4$ " wd x $1/4$ " h; two axial wire lead term, one ea end; term mtd; color coded; RCA part/dwg C-748259-312		Screen Bypass, V-601 Plate Supply Filtering, V-601
C-622		Same as C-367; p/o Z-601		
C-623		Same as C-107; p/o Z-601		Compensating Capacitor, L-604
C-624		Same as C-324; p/o Z-601		
C-625		Same as C-324; p/o Z-601		
C-626 thru C-630		Not Used		
C-631	N16-C-15982-2889	CAPACITOR, FIXED; ceramic dielectric; 15 mmf p/m 2%; 500 vdcw; temp coef NPO (tol $\pm 15\%$) mmf/mf/° C; 0.460" lg x 0.230" diam max; two radial wire lead term; term mtd; uninsulated; color coded; RCA part/dwg C-748269-12		
C-632 thru C-650		Not Used		
C-651		Same as C-451		Gang Tuning Capacitor, Type III Receiver
C-652	N16-C-99999-0043	CAPACITOR, FIXED; mica dielectric; 2200 mmf p/m 10%; 500 vdcw; temp coef ltr E; 0.661" max diam x 0.117" max thk; silver pl brass case and terms; two solder lug terms eccentrically located one on ea end; three mtg tabs $1/2$ " lg spaced 120 deg apart on one end; 48-hour salt spray; terms solder dipped; color coded; RCA part/dwg B-467255-1		Plate Supply Filtering
C-653		Same as C-101		Manual Gain Control Circuit Filtering
C-654		Same as C-254		Regulated Plate Supply Filtering
C-655		Same as C-139		Automatic Gain Control Filtering and Time Constant
C-656		Same as C-456		Antenna Trimmer
C-657		Same as C-323		Heater Bypass Capacitor
C-658		Same as C-323		Heater Bypass Capacitor
C-659		Same as C-323		Heater Bypass Capacitor
C-660 thru C-709		Not Used		
C-710	N16-C-64040-1181	CAPACITOR, VARIABLE; ceramic; rotary type, single sect; 5 to 25 mmf; 500 vdcw; temp coef 0; $3/4$ " lg x $1/2$ " wd x $1/2$ " thk o/a approx; solder lug term; two #2-56 tapped mtg holes on $3/8$ " mtg/c; scdr adj; ceramic base; fungus resistant; RCA part/dwg B-462179-2		Input Trimmer, Z-702

CONTRACT NObsr-52014

TABLE 8-4. TABLE OF REPLACEABLE PARTS—Continued
RADIO RECEIVING SETS AN/SRR-11, AN/SRR-12, AN/SRR-13, AN/SRR-13A

REF. SYMBOL	STOCK NUMBERS SIGNAL CORPS STANDARD NAVY AIR FORCE	NAME OF PART AND DESCRIPTION	LOCATING FUNCTION
C-711	For Replacement Use N16-C-45773-7301	CAPACITOR, FIXED: paper dielectric; single sect; 100,000 mmf p/m 10%; 400 vdcw; HS metal case; 1 1/4" lg x 0.400" diam; stabilized wax impr; two axial wire lead term; no int gnd; term mtd; marked w/ cap, tol, working v, and mfr name; oper temp range -40° C to +85° C; RCA part/dwg C-737818-253	Screen Supply Filtering, V-201
C-712		Same as C-711	Plate Supply Filtering, V-701
C-713		Not Used	
C-714	N16-C-29898-3409	CAPACITOR, FIXED: mica; 390 mmf p/m 5%; 500 vdcw; characteristic E; 1/2" lg x 3/4" wd x 3/4" thk; molded low loss bakelite case; two axial wire lead term; term mtd; color coded; RCA part/dwg C-737837-345; p/o Z-701	Blocking Capacitor for V-701
C-715		Same as C-710	Output Trimmer for Z-702
C-716		Same as C-314; p/o Z-701	Part of Feedback Network, V-701 Grid No. 1
C-717	N16-C-28210-1404	CAPACITOR, FIXED: mica; 82 mmf p/m 5%; 500 vdcw; characteristic E; 3/4" lg x 3/4" wd x 3/4" thk; molded low loss bakelite case; two axial wire lead term; term mtd; color coded; RCA part/dwg C-737837-329; p/o Z-701	Part of Feedback Network, V-701 Grid No. 2
C-718	For Replacement Use N16-C-45768-8089	CAPACITOR, FIXED: paper dielectric; single sect; 100,000 mmf p/m 10%; 100 vdcw; HS metal case; 1 3/4" lg x 0.374" diam w/ plastic ins sleeve; vitamin Q impr; two axial wire lead term; int end; marked w/ cap, tol, working v, and mfr name; oper temp range -55° C to +85° C; Sprague Type 81P10491S1; RCA part/dwg C-737816-533; p/o Z-701	Cathode Resistor Bypass, V-701
C-719	For Replacement Use N16-C-45768-8089	CAPACITOR, FIXED: paper dielectric; single sect; 100,000 mmf p/m 10%; 100 vdcw; HS metal case; 1 3/4" lg x 0.312" diam; vitamin Q impr; two axial wire lead term; int end; marked w/ cap, tol, working v, and mfr name; oper temp range -55° C to +85° C; Sprague Type SP210491S1; RCA part/dwg C-737816-493	Heater Bypass, V-701
C-720		Same as C-719	Heater Bypass, V-701
C-721		Same as C-710	With C-722 and C-723, Tunes T-703 Primary
C-722		Same as C-621	With C-721 and C-723, Tunes T-703 Primary
C-723	N16-C-29449-8642	CAPACITOR, FIXED: mica; 240 mmf p/m 5%; 500 vdcw; characteristic E; 3/4" lg x 1/2" wd x 1/4" thk; molded bakelite case; two axial wire lead term; term mtd; color coded; RCA part/dwg C-737837-340	With C-721 and C-722, Tunes T-703 Primary
C-724 thru C-808		Not Used	
C-809		Same as C-710	Input Trimmer, Z-802
C-810		Same as C-711	Screen Supply Filtering, V-351
C-811		Same as C-711	Plate Supply Filtering, V-801
C-812	N16-C-29133-3841	CAPACITOR, FIXED: mica; 180 mmf p/m 5%; 500 vdcw; characteristic E; 3/4" lg x 1/4" wd x 1/4" thk; molded bakelite case; two axial wire lead term; term mtd; color coded; RCA part/dwg C-737837-337; p/o Z-801	Part of Feedback Network, V-801 Grid No. 1
C-813	N16-C-27181-4341	CAPACITOR, FIXED: mica dielectric; 33 mmf p/m 5%; 500 vdcw; temp coef ltr E; molded low loss bakelite case; 3/4" lg x 1/4" wd x 1/2" h; two axial wire lead term, one ea end; term mtd; color coded; RCA part/dwg C-737837-319; p/o Z-801	Part of Feedback Network, V-801 Grid No. 2
C-814	N16-C-29608-2009	CAPACITOR, FIXED: mica; 270 mmf p/m 5%; 500 vdcw; characteristic E; 1/2" lg x 3/4" wd x 3/4" thk; molded low loss bakelite case; two axial wire lead term; term mtd; color coded; RCA part/dwg C-737837-341; p/o Z-801	Blocking Capacitor for Y-801
C-815		Same as C-710	Output Trimmer, Z-802
C-816		Same as C-710	With C-817 and C-818 Tunes T-801 Primary
C-817		Same as C-321	With C-816 and C-818 Tunes T-801 Primary
C-818		Same as C-723	With C-816 and C-817 Tunes T-801 Primary
C-819		Same as C-719	Heater Bypass, V-801

AN/SRR-11, AN/SRR-12,
AN/SRR-13, AN/SRR-13A
PARTS LIST

NAVSHIPS 91875(A)

Section 8
C-820—C-1040

C-820	Same as C-719	Heater Bypass, V-901	
C-821	Same as C-814	With C-816, Tunes T-901 Primary	
C-822	Same as C-321	Plate Supply Filtering, V-901	
C-823 thru C-908	Not Used		
C-909	Same as C-710	Input Trimmer, Z-902	
C-910	Same as C-711	Screen Supply Filtering, V-551	
C-911	Same as C-711	Plate Supply Filtering, V-901	
C-912	Same as C-812; p/o Z-901	Part of Feedback Network, V-901 Grid No. 1	
C-913	Same as C-813; p/o Z-901	Part of Feedback Network V-901, Grid No. 2	
C-914	Same as C-814; p/o Z-901	Blocking Capacitor to Y-901	
C-915	Same as C-710	Output Trimmer, Z-902	
C-916	Same as C-814; p/o Z-901	Tunes T-901 Primary	
C-917	Same as C-719	Heater Bypass, V-901	
C-918	Same as C-719	Heater Bypass, V-901	
C-919	Same as C-321; p/o Z-901	With R-904, Plate Supply Decoupling, V-901	
C-920 thru C-1000	Not Used		
C-1001	For Replacement Use N16-C-28737-7001	BFO Mixer Output Filtering	
C-1002 thru C-1028	Not Used		
C-1029	N16-C-64040-3000	Output Trimmer, Z-1001, Z-1002, Z-1003	
C-1030	For Replacement Use N16-C-42733-5753	Ground Return Z-1001, Z-1002, Z-1003	
C-1031	For Replacement Use N16-C-43633-3542	Cathode Resistor Bypass, V-1001	
C-1032	For Replacement Use N16-C-42733-5753	Screen Bypass, V-1001	
C-1033		Tunes L-1011	
C-1034		Tunes L-1011	
C-1035		Cathode Resistor Bypass, V-1002	
C-1036		Screen Bypass, V-1002	
C-1037		Tunes L-1012	
C-1038		Tunes L-1012	
C-1039		Cathode Resistor Bypass, V-1003	
C-1040		Top Coupling, L-1016 to T-1015	

TABLE 8-4. TABLE OF REPLACEABLE PARTS—Continued
RADIO RECEIVING SETS AN/SRR-11, AN/SRR-12, AN/SRR-13, AN/SRR-13A

REF. SYMBOL	STOCK NUMBERS SIGNAL CORPS STANDARD NAVY AIR FORCE	NAME OF PART AND DESCRIPTION	LOCATING FUNCTION
C-1041		Same as C-1032; p/o Z-1008	Screen Bypass, V-1003
C-1042	N16-C-31833-7866	CAPACITOR, FIXED: mica dielectric; 2100 mmf p/m 2%; 500 vdcw; temp coef 0 (tol -0 to +40) mmf/mf/°C; molded thermosetting material completely enclosing all elements; case $1\frac{1}{4}$ " max lg x $3\frac{1}{4}$ " max wd x $\frac{1}{2}$ " max d; two axial wire lead term, $1\frac{1}{2}$ " min lg ea; located axially one ea end; term mtd; color coded; capacitance drift shall not exceed 0.05%; p/m 0.1 mmf; marked w/ RCA part/dwg B-465842-6; moisture proof sealing; RCA part/dwg B-465842-6	With C-1043 Tunes T-1014 Primary
C-1043	N16-C-17822-5695	CAPACITOR, FIXED: ceramic dielectric; 280 mmf p/m 1%; neg temp coef 1500 (tol ± 100) mmf/mf/°C; 500 vdcw; case 0.960" max lg x 0.230" max diam less term; two radial wire lead term bent 90 deg axially; term mtd; uninsulated; tol over range +25° C to -55° C not to exceed 1.3 times tol range from +25° C to +85° C; RCA part/dwg C-748269-13	With C-1042 Tunes T-1014 Primary
C-1044		Same as C-507	Coupling to T-1014
C-1045		Same as C-1031	Filters Rectified Output of CR-1001
C-1046		Same as C-515; p/o Z-1018. Used in AN/SRR-13A only	Top Coupling, L-1017 to T-1016
C-1047	N16-C-41064-1134	CAPACITOR, FIXED: paper dielectric; single sect; 4700 mmf p/m 10%; 300 vdcw; molded bakelite case; $\frac{1}{2}$ " lg x 0.200" diam; Pokar impr; two axial wire lead term; no int gnd; term mtd; oper temp range -55° C to +85° C, -8% cap change at -55° C +4.5% change at +85° C; color coded; Sprague Type 75P47293; RCA part/dwg C-737845-193; p/o Z-1010	Output Coupling from V-1004 Plate
C-1048	For Replacement Use N16-C-26838-5145	CAPACITOR, FIXED: mica; 22 mmf p/m 10%; 500 vdcw; characteristic E; $1\frac{1}{4}$ " lg x $1\frac{1}{4}$ " wd x $\frac{1}{4}$ " thk; molded bakelite case; two axial wire lead term; term mtd; color coded; RCA part/dwg C-737837-215; p/o Z-1010	Coupling to V-1004 Grid
C-1049		Same as C-1032; p/o Z-1010	Screen Bypass, V-1004
C-1050	N16-C-30186-3727	CAPACITOR, FIXED: mica; 510 mmf p/m 5%; 300 vdcw; characteristic E; $1\frac{1}{4}$ " lg x $1\frac{1}{4}$ " wd x $\frac{1}{4}$ " thk; molded bakelite case; two axial wire lead term; term mtd; color coded; RCA part/dwg C-737837-348	Tunes T-1013
C-1051		Same as C-714	Tunes T-1013
C-1052	N16-C-30114-3006	CAPACITOR, FIXED: mica; 470 mmf p/m 10%; 300 vdcw; characteristic E; $\frac{1}{4}$ " lg x $\frac{1}{2}$ " wd x $\frac{1}{4}$ " thk; molded low loss bakelite case; two axial wire lead term; term mtd; color coded; RCA part/dwg C-737837-247; p/o Z-1012	Filters Rectified Output from V-1005
C-1053	For Replacement Use N16-C-45770-1812	CAPACITOR, FIXED: paper dielectric; single sect; 100,000 mmf p/m 10%; 200 vdcw; HS metal case w/plastic ins sleeve; $1\frac{1}{8}$ " lg x 0.374" diam; stabilized wax impr; two axial wire lead term; no int gnd; term mtd; marked w/cap, tol, and working v; and mfr name; oper temp range -40° C to +85° C; Sprague Type 88P1049284; RCA part/dwg C-737818-53	Coupling from V-1006 Cathode
C-1054		Same as C-311; p/o Z-1014	Coupling to V-1007 Grid
C-1055	For Replacement Use N16-C-45770-1812	CAPACITOR, FIXED: paper dielectric; single sect; 100,000 mmf p/m 10%; 200 vdcw; HS metal case, w/ plastic ins sleeve; $1\frac{1}{8}$ " lg x 0.462" diam; vitamin Q impr; characteristic F; two axial wire lead term; no int gnd; marked w/cap, tol, working v; and mfr name; oper temp range -55° C to +85° C; Sprague Type 91P1049284; RCA part/dwg C-737818-53; p/o Z-1014	Coupling from V-1007 Cathode
C-1056		Same as C-1032; p/o Z-1014	Plate Bypass, V-1007
C-1057		Same as C-814; p/o Z-1017. Used in AN/SRR-13A only	Tunes L-1016
C-1058		Same as C-223	Filters Rectified Output from V-1005
C-1059		Same as C-723; p/o Z-1017. Used in AN/SRR-13A only	Tunes L-1016
C-1060		Same as C-719	Filters Manual Gain Control Circuit
C-1061	For Replacement Use N16-C-46200-7572	CAPACITOR, FIXED: paper dielectric; single sect; 220,000 mmf p/m 10%; 100 vdcw; HS metal case; $1\frac{1}{4}$ " lg x 0.400" diam; vitamin Q impr; two axial wire lead term; no int gnd; marked w/cap, tol, working v; and mfr name; oper temp range -55° C to +85° C; Sprague Type 81P2249182; RCA part/dwg C-737818-495	Filters 2nd IF Heaters
C-1062		Same as C-1061	Filters 2nd IF Heaters

C-1063	For Replacement Use N16-C-45773-8071	CAPACITOR, FIXED; paper dielectric; single sect; 100,000 mmf p/m 10%; 400 vdcw; HS metal case; 1 1/2" lg x 0.400" diam; vitamin Q impr; two axial wire lead term; int gnd; marked w/ cap, tol, working v, and mfr name; oper temp range -55° C to +85° C; Sprague Type 81P10494S2; RCA part/dwg C-737816-573	Plate Supply Filtering, V-1004
C-1064		Same as C-1048	Coupling from Calibrator Unit to V-1002
C-1065		Same as C-1030	Automatic Gain Control Filter V-1002, Grid Circuit
C-1066		Same as C-1030	With R-1301, Time Constant Determination, V-1003 Grid Circuit
C-1067		Same as C-814; p/o Z-1018. Used in AN/SRR-13A only	Tunes L-1017
C-1068		Same as C-814; p/o Z-1018. Used in AN/SRR-13A only	Tunes L-1017
C-1069 thru C-1100		Not Used	
C-1101	For Replacement Use N16-C-46200-7572	CAPACITOR, FIXED; paper dielectric; single sect; 220,000 mmf p/m 10%; 100 vdcw; HS metal case, w/ plastic ins sleeve; 1 1/2" lg x 0.462" diam; stabilized wax impr; two axial wire lead term; int gnd; term mtd; marked w/ cap, tol, working v, and mfr name; oper temp range -40° C to +85° C; Sprague Type 78P22491S3; RCA part/dwg C-737818-335	Cathode Bias Filtering, V-1101
C-1102	For Replacement Use N16-C-43633-3542	CAPACITOR, FIXED; paper dielectric; single sect; 33,000 mmf p/m 10%; 400 vdcw; HS metal case, w/ plastic ins sleeve; 1" lg x 0.374" diam; vitamin Q impr; two axial wire lead term; no int gnd; marked w/ cap, tol, working v, and mfr name; oper temp range -55° C to +85° C; Sprague Type 91P33394S4; RCA part/dwg C-737816-90; p/o Z-1102	Coupling from V-1102 Plate
C-1103	N16-C-39693-5927	CAPACITOR, FIXED; paper dielectric; single sect; 1000 mmf p/m 10%; 400 v DC max at 85° C; molded phenolic case; 3/4" lg x 0.175" diam; impr w/ high temp organic material; two axial wire lead term; no int gnd; term mtd; color coded; Pokar Type 75P10294; RCA part/dwg C-737845-215; p/o Z-1103	Cathode Resistor Network Bypass, V-1103
C-1104		Same as C-1102; p/o Z-1104	Plate Bypass, V-1104
C-1105		Same as C-1102; p/o Z-1105	Coupling to V-1105 Grid
C-1106		Same as C-1103; p/o Z-1105	Plate Bypass, V-1105
C-1107	For Replacement Use N16-C-44111-1231	CAPACITOR, FIXED; paper dielectric; single section; 47,000 mmf p/m 10%; 200 vdcw; HS metal case, w/ plastic ins sleeve; 1 1/2" lg x 0.374" diam; vitamin Q impr; two axial wire lead term; no int gnd; marked w/ cap, tol, working v, and mfr name; oper temp range -55° C to +85° C; Sprague Type 91P47392S4; RCA part/dwg C-737816-51; p/o Z-1106	Coupling to V-1106 Cathode
C-1108	N16-C-40024-4700	CAPACITOR, FIXED; paper dielectric; single sect; 1800 mmf p/m 10%; 300 v DC max at 85° C; molded phenolic case; 3/4" lg x 0.175" diam; impr w/ high temp organic material; two axial wire lead term; 1 1/2" x 1/2" lg; no int gnd; term mtd; color coded; Pokar Type 75P18293; RCA part/dwg C-737845-188; p/o Z-1107	Coupling from V-1107 Cathode
C-1109		Same as C-1032; p/o Z-1108	Coupling from V-1108 Plate
C-1110		Same as C-1030; p/o Z-1109	Screen Bypass, V-1109
C-1111		Not Used	Audio Input Filtering
C-1112	N16-C-45770-1522	CAPACITOR, FIXED; paper dielectric; single sect; 100,000 mmf p/m 10%; 200 vdcw; HS metal case; 1 1/2" lg x 0.400" diam; vitamin Q impr; two axial wire lead term; no int gnd; single 0.144" diam mtg hole in integral tangential mtg blk; oper temp range -55° C to +85° C; marked w/ cap, tol, working v, and mfr code and type; Sprague Type 91P10492S13; RCA part/dwg C-737860-125	Output Coupling from V-1101 Cathode Blocking Capacitor, V-1104 Plate Circuit
C-1113		Not Used	
C-1114		Same as C-127; p/o Z-1101	Adjustment of Frequency, Y-1201
C-1115		Same as C-133; p/o Z-1104	Heater Bypass, V-1201, V-1202
C-1116 thru C-1200		Not Used	
C-1201	N16-C-64175-6209	CAPACITOR, VARIABLE; ceramic; rotary type, single sect; 8 to 50 mmf; 500 vdcw; temp coef N750; 3/4" lg x 1/2" wd x 1/2" thk o/a approx; solder lug term at bottom; no mtg holes 0.120" diam on 1/2" mtg/c; scdr adj; ceramic base; fungus resistant; RCA part/dwg B-462179-3	
C-1202	For Replacement Use N16-C-46200-7572	CAPACITOR, FIXED; paper dielectric; single sect; 220,000 mmf p/m 20%; 100 vdcw; HS metal case; 1 1/2" lg x 0.462" diam; vitamin Q impr; two axial wire lead term; int gnd; marked w/ cap, tol, working v, and mfr name; oper temp range -55° C to +85° C; Sprague Type 81P22491S2; RCA part/dwg C-737816-355	Heater Bypass, V-1201, V-1202
C-1203		Same as C-1202	Heater Bypass, V-1201, V-1202

CONTRACT NObar-52014

TABLE 8-4. TABLE OF REPLACEABLE PARTS—Continued
RADIO RECEIVING SETS AN/SRR-11, AN/SRR-12, AN/SRR-13, AN/SRR-13A

REF. SYMBOL	STOCK NUMBERS SIGNAL CORPS STANDARD NAVY AIR FORCE	NAME OF PART AND DESCRIPTION	LOCATING FUNCTION
C-1204	N16-C-28975-1526	CAPACITOR, FIXED: mica dielectric; 150 mmf p/m 5%; 500 vdcw; temp coef ltr E; molded low loss bakelite case; $1\frac{1}{4}$ " lg x $1\frac{1}{4}$ " wd x $\frac{1}{8}$ " ht; two axial wire lead term, one ea end; term mtd; color coded; RCA part/dwg C-737837-335	Output Coupling from V-1201 Plate
C-1205	N16-C-99999-0034	CAPACITOR, FIXED: mica; 47 mmf p/m 20%; 500 vdcw; temp coef ltr C; $1\frac{1}{4}$ " lg x $1\frac{1}{4}$ " wd x $\frac{1}{8}$ " thk; molded bakelite case; two axial wire lead term; term mtd; color coded; RCA part/dwg C-748252-123; p/o Z-1202	Output Coupling, V-1202 Plate
C-1206	For Replacement Use N16-C-45770-1812	CAPACITOR, FIXED: paper dielectric; single sect; 100,000 mmf p/m 20%; 200 vdcw; HS metal case, w/ plastic ins sleeve; $1\frac{1}{4}$ " lg x 0.374 " diam; stabilized wax tmpr; two axial wire lead term; int gnd; term mtd; marked w/ cap. tol, working v, and mfr name; oper temp range -40° C to +85° C; Sprague Type 78P10402S3; RCA part/dwg C-737818-393; p/o Z-1202	Plate Supply Filtering, V-1201, V-1202
C-1207	N16-C-99999-0033	CAPACITOR, FIXED: mica; 5 mmf p/m 20%; 500 vdcw; temp coef ltr C; $1\frac{1}{4}$ " lg x $1\frac{1}{4}$ " wd x $\frac{1}{8}$ " thk; molded bakelite case; two axial wire lead term; term mtd; color coded; RCA part/dwg C-748252-105; p/o Z-1201	Output Coupling from V-1201 and V-1202 Cathodes
C-1208		Same as C-461; p/o Z-1201	Feedback Coupling, V-1201
C-1209 thru C-1300		Not Used	
C-1301		Same as C-321; p/ Z-1302	Screen Coupling, V-1301
C-1302		Same as C-714; p/o Z-1302	Plate Bypass, V-1301
C-1303		Same as C-223; p/o Z-1302	Grid Bias Charging, V-1301
C-1304		Same as C-423; p/o Z-1302	With C-1308, Determines Frequency of Z-1301
C-1305	For Replacement Use N16-C-42733-5753	CAPACITOR, FIXED: paper dielectric; single sect; 10,000 mmf p/m 10%; 400 vdcw; HS metal case, w/ plastic ins sleeve; $1\frac{1}{4}$ " lg x 0.297 " diam; vitamin Q tmpr; two axial wire lead term; int gnd; marked w/ cap. tol, working v, and mfr name; oper temp range -55° C to +85° C; Sprague Type 81P10394S2; RCA part/dwg C-737816-407	Plate Supply Filtering, V-1301
C-1306		Same as C-223	Output Coupling from V-1301 Plate
C-1307		Same as C-1029	With C-1309 Determines Frequency of Z-1301
C-1308		Same as C-1029	With C-1304 Determines Frequency of Z-1301
C-1309	N16-C-60027-1001	CAPACITOR, VARIABLE: air dielectric; 4 plate meshing type, single sect; 3.4 to 50.4 mmf; 500 v AC peak; SLC; $1\frac{1}{2}$ " lg from mtg surface o/a x $1\frac{1}{2}$ " h x $1\frac{1}{2}$ " wd excluding shaft; $\frac{1}{4}$ " diam shaft flattened on 2 sides $\frac{1}{2}$ " lg w/ $\frac{1}{2}$ " lg thd $\frac{1}{8}$ -32 bushing flat on one side; extension shaft adj; 19 brass plates, nickel pl; 360 deg rotation ether direction; ceramic ins; two solder post term for stator; one solder lug for rotor; single mtg hole $\frac{1}{8}$ -32 thd x $\frac{1}{2}$ " lg bushing; 0.039" diam pin in shaft $\frac{1}{8}$ " from end; moisture resistant; "Q" 500 min; RCA part/dwg B-462598-1; rev 2	With C-1307 Determines Frequency of Z-1301
C-1310 thru C-1400		Not Used	
C-1401		Same as C-1201	Adjustment of Y-1401 Frequency
C-1402		Same as C-311; p/o Z-1401	Assists in Feedback, V-1401
C-1403	N16-C-30367-9395	CAPACITOR, FIXED: mica; 620 mmf p/m 2%; 500 vdcw; temp coef ltr F; $1\frac{1}{4}$ " lg x $1\frac{1}{4}$ " wd x $\frac{1}{8}$ " thk; molded bakelite case; two axial wire lead term; term mtd; RSW; color coded; RCA part/dwg C-744584-350; p/o Z-1401	Plate Bypass, V-1401
C-1404	For Replacement Use N16-C-15624-4666	CAPACITOR, FIXED: JAN type CC21CH050D; ceramic; 5 mmf p/m 0.5 mmf; neg temp coef 0 (sol +60 -112) mmf/mf° C; 500 vdcw; 0.562 " lg x 0.25 " diam; two axial wire lead term; term mtd; unisulated; RCA part/dwg P-722407-58; p/o Z-1401	Output Coupling from V-1401 Grid
C-1405		Same as C-254	Plate Supply Filtering, V-1401
C-1406	N16-C-30183-1890	CAPACITOR, FIXED: mica; 510 mmf p/m 2%; 300 vdcw; characteristic E; $1\frac{1}{4}$ " lg x $1\frac{1}{4}$ " wd x $\frac{1}{8}$ " thk; molded low loss bakelite case; two axial wire lead term; term mtd; color coded; spec JAN-C-5; RCA part/dwg C-737837-448; p/o Z-1401	Screen Bypass, V-1402
C-1407		Same as C-254	Plate Supply Filtering, V-1402

TABLE 8-4. TABLE OF REPLACEABLE PARTS—Continued
RADIO RECEIVING SETS AN/SRR-11, AN/SRR-12, AN/SRR-13, AN/SRR-13A

REF. SYMBOL	STOCK NUMBERS SIGNAL CORPS STANDARD NAVY AIR FORCE	NAME OF PART AND DESCRIPTION	LOCATING FUNCTION
E-109	For Reference Only	BOARD, TERMINAL: lam glass cloth, silicone resin; ten solder post type, one pin type, two solder post feedthru, six stud and four solder lug type term; w/o barriers; 3" lg x 1 1/4" wd x 1 5/8" d o/a; mtd by two term pins at one end in corners 0.063" diam, 1.156" c to c; 0.328" lg projecting; w/shield, shield mount, retainer stop, grounding strap, bkts, links, spacers, and springs; RCA part/dwg T-629844-502; p/o Z-101	Foundation of Z-101
E-110 thru E-125		Not Used	
E-126		Same as E-101	Type I RF Unit Connection to C-251C
E-127		Same as E-101	Type I RF Unit Connection to C-251C
E-128	Shop Manufacture	BOARD, TERMINAL: general purpose; six post type term; three term spaced 3/8", 1/4" c to c in ea of two rows, rows spaced 1 1/4" c to c; lam glass cloth board; 1 1/2" lg x 1 1/2" wd x 1/8" thk o/a approx; two mtg holes 0.113" diam on 1.062" mtg/c in integral "L" shape bkt; marked C-136, C-139, C-143; RCA part/dwg M-460867-502	Supports Resistors and Capacitors
E-129		Same as E-106; p/o E-135	Supports V-126
E-130	N17-B-77691-3814	BOARD, TERMINAL: mtg board for resistors and capacitors; five brass rod short term lugs, hot solder dip finish; first term ctr 0.812" from end of board then c to c (1) to 0.938" (3) 1.563" (4) 2.422" (5) 3.188"; lam glass cloth, silicone resin board; 4 1/2" lg x 5/8" wd x 1/4" h o/a; five mtg holes 0.073" diam 0.781" c to c w/ 1/2" at ea end; mark in three places as shown on dwg with 1/8" high std characters satin black synthetic C-133, C-130, C-127; rivet term in place; RCA part/dwg C-746176-502	Supports Capacitors
E-131	Shop Manufacture	BOARD, TERMINAL: general purpose; six post type term; three term spaced 3/8", 1/4" c to c in ea of two rows, rows spaced 1 1/4" c to c; lam glass cloth board; 1 1/2" lg x 1 1/2" wd x 1/8" thk o/a approx; two mtg holes 0.113" diam on 1.062" mtg/c in integral "L" shape bkt; marked C-141, R-126, R-130, R-129; RCA part/dwg M-460867-503	Supports Resistors and Capacitors
E-132	Shop manufacture	PLATE, GROUNDING: used on osc assem; brass, silver pl finish; "Z" shape; 3 1/2" lg x 1 7/8" wd x 1 5/8" h o/a; mts by two #0-80 tapped mtg holes on 0.578" mtg/c; marked C-128, C-131, C-134, C-137, C-140, C-126, C-129, C-132, C-135, C-138; RCA part/dwg T-630899-1	Supports Wiring
E-133		Same as E-107	Supports Wiring
E-134		Same as E-108	With E-133 Supports Wiring
E-135	For Reference Only	BOARD, TERMINAL: lam glass cloth, silicone resin; 16 solder post feedthru type, two solder post type, and one solder lug type term; w/o barriers; 3" lg x 1 1/4" wd x 1 5/8" thk less term; mtd by two term pins spaced on 1.156" mtg/c; w/shield and shield mount; RCA part/dwg T-629844-507	Foundation for Z-126
E-136	Shop Manufacture	INSULATOR, PLATE: rectangular shape; lam glass cloth, silicone resin, 4 1/2" lg x 5/8" wd x 0.010" thk, five 0.261" diam mtg holes spaced 0.781" c to c on 3.125" mtg/c; 3/8" x 45 deg chamfer on one end; RCA part/dwg A-8829184-1	Insulates E-132 from Chassis
E-137 thru E-150		Not Used	
E-151		Same as E-101	Type I Mixer Unit Connection to C-251B
E-152		Same as E-101	Type I Mixer Unit Connection to C-251B
E-153	N17-B-77690-4910	BOARD, TERMINAL: mtg board for resistors; five brass rod short term lugs, hot solder dip finish; first term ctr 1/8" from end of board then 0.781" c to c; lam glass cloth, silicone resin board; 3 1/4" lg x 3/8" wd x 1/4" h o/a; five mtg holes 0.073" diam, 0.781" c to c, 0.515" from one end of board to first cut; mark in three places as shown on dwg with 1/8" high std characters satin black synthetic R-153, R-152, R-151; rivet term in place; RCA part/dwg C-746176-503	Supports Capacitors
E-154	Shop Manufacture	PLATE, GROUNDING: used on mixer A; brass, silver pl finish and clear water dip synthetic; "Z" shape; 3 1/2" lg x 1 7/8" wd x 1 5/8" h o/a; mts by two #0-80 tapped mtg holes on 0.578" mtg/c; marked w/ C-152, C-154, C-156, C-158, C-160, C-151, C-153, C-155, C-157, C-159; RCA part/dwg T-630899-2	Supports Wiring
E-155		Same as E-106; p/o E-159	Supports V-151
E-156	Procured on demand by nearest Naval Shore Supply Activity	TERMINAL, LUG: round tongue end type, bent; brass; hot solder dip finish; #14 AWG wire accommodated; 1/8" lg x 3/8" wd x 1/4" h o/a; soldered rivet or wire connection; 0.070" diam mtg and connection hole in one end; 0.015" thk stock; "L" shaped right angle bend; RCA part/dwg A-8821462-1; p/o E-159	Supports Wiring

E-157		Same as E-107	Supports Wiring
E-158		Same as E-108	With E-157 Supports Wiring
E-159	Shop Manufacture	BOARD, TERMINAL: lam glass cloth, silicone resin; incl 17 feedthru type and one solder lug type term; w/o barriers; 3" lg x 1 1/4" wd x 1/4" thk less term; mtd by two 0.093" dia pin x 0.328" lg pin term on one end in corners, on 1.156" c to c; RCA part/dwg T-629844-506; p/o E-151	Foundation of Z-151
E-160		Same as E-136	Insulates E-154 from Chassis
E-161 thru E-200		Not Used	
E-201		Same as E-101	Type I Oscillator Unit Connection to C-251A
E-202		Same as E-101	Type I Oscillator Unit Connection to C-251A
E-203	Shop Manufacture	BOARD, TERMINAL: general purpose; five brass, post type hot solder dipped term; two brass, solder dipped solder lug term; five post type term irregularly spaced; two solder lug type term 1 1/2" c to c; lam glass cloth, silicone resin board; 1 1/2" lg x 1 1/2" wd x 1/4" thk; mtd by two #4-40 self-clinching nuts on 0.375" mtg/c w/ integral bkt; marked C-222, C-217, C-221; RCA part/dwg B-464024-501	Supports Capacitors
E-204	Shop Manufacture	BOARD, TERMINAL: eight brass rod short term lugs hot solder dip finish; one row of term ctrs 1/8" from edge of board, first term ctr 1/8" from end of board then c to c (1) to (2) 0.306" (3) 1.406" (4) 2.468" (5) 2.968" (6) 3.875", two other term w/ ctrs in line with (1) and (2) 0.281" from edge of board; lam glass cloth, silicone resin board; 4 1/2" lg x 1 1/2" wd x 1/4" d o/a; five mtg holes 0.073" diam 0.781" c to c w/ 1/2" at ea end, first hole 0.130" diam 82 deg esk; mark in four places as shown on dwg with 1/8" high std characters satin black synthetic C-209, C-215, C-205, C-201, rivet term in place; RCA part/dwg C-746176-504	Supports Capacitors
E-205	Shop Manufacture	PLATE, GROUNDING: used on osc A; brass, silver pl finish and clear water dip synthetic; "Z" shape; 3 1/2" lg x 1 1/4" wd x 1/4" h o/a approx; mts by two #0-80 tapped holes on 0.578" mtg/c; marked w/ C-204, C-208, C-212, C-216, C-210, C-220, C-202, C-206, C-210, C-214, C-218, C-203, C-207, C-211, C-213 and C-219; RCA part/dwg T-630899-3	Supports Wiring
E-206		Same as E-106; p/o E-210	Supports V-201
E-207		Same as E-156; p/o E-210	Supports Wiring
E-208		Same as E-107; p/o E-210	Supports Wiring
E-209		Same as E-108	With E-208 Supports Wiring
E-210	Shop Manufacture	BOARD, TERMINAL: lam glass cloth, silicone resin; incl 18 stud type and two solder lug type term; w/o barriers; 3" lg x 1 1/4" wd x 1 1/4" h o/a; mtd by two term pins at one end in corners 0.093" diam, 1.156" c to c; 0.328" lg projecting; w/shield, shield mount and grounding straps; RCA part/dwg T-629844-505; p/o Z-201	Foundation for Z-201
E-211		Same as E-136	Insulates E-205 from Chassis
E-212 thru E-250		Not Used	
E-251	Shop Manufacture	BOARD, TERMINAL: general purpose; two combination screw and solder lug type term; 1/4" between ctrs; lam glass cloth, silicone resin board; 1 1/2" lg x 1 1/2" wd x 1/4" thk o/a approx; two 0.136" diam mtg holes on 1.312" mtg/c; screws are swaged to prevent removal; RCA part/dwg B-458541-1	Connects Dial Lamp Wiring
E-252	Shop Manufacture	BOARD, TERMINAL: general purpose; six post type term; term 1/2" between ctrs, two rows spaced 0.312" c to c; lam phenolic board; 1/4" thk, type ITS-E-4 in JAN-P-13; 2 1/4" lg x 3/4" wd x 1/4" thk o/a approx; two 0.156" diam mtg holes 1.875" c to c; term linked together in pairs; RCA part/dwg A-8836512-501	Supports Wiring
E-253	Shop Manufacture	BOARD, TERMINAL: general purpose; six solder post type term; irregularly spaced; lam glass cloth, silicone resin board; 2 1/4" lg x 1 1/2" wd x 1 1/2" thk o/a approx; one 0.156" diam mtg hole in ea of two blocs on 2.312" mtg/c; one 0.261" diam hole centrally located 1 1/2" from one end, marked C-253, C-254, L-251; RCA part/dwg B-459860-501	Supports Capacitors and Coil
E-254	Shop Manufacture	INSULATOR, BUSHING: teflon, white; wax finish; bushing shape; 1/4" lg x 0.088" OD x 0.031" ID; mts by association; insulator taper from 0.088" diam to 0.062" diam within a distance of 1/8"; RCA part/dwg A-8903605-1	Heat Insulator for Coaxial Cable
E-255	Procured on demand by nearest Naval Shore Supply Activity	INSULATOR, STANDOFF: round post shape; ceramic, type JAN-I-10, grade L-5, brass body, cad pl; 1/4" lg excluding term; voltage breakdown at 60 cyc 4800 RMS; 1/4" OD, mtd by #6-32 stud on one end x 1/4" lg; term finish suitable for soldering; Cambridge Therm Cat #X-1942-X; RCA part/dwg A-8831136-2	Supports Antenna Circuit Wiring
E-256	Shop Manufacture	BOARD, TERMINAL: 14 stud type term, solder post; 1 1/2" c to c; lam glass cloth, silicone resin board; 2 1/4" lg x 1 1/4" wd x 1/4" thk o/a approx; two mtg holes #6-32 tap on 2 1/4" mtg/c; marked w/ R-253, R-255, R-254, R-260 and R-259; RCA part/dwg B-464035-501	Supports Resistors

CONTRACT NObar-52014

TABLE 8-4. TABLE OF REPLACEABLE PARTS—Continued
RADIO RECEIVING SETS AN/SRR-11, AN/SRR-12, AN/SRR-13, AN/SRR-13A

REF SYMBOL	STOCK NUMBERS SIGNAL CORPS STANDARD NAVY AIR FORCE	NAME OF PART AND DESCRIPTION	LOCATING FUNCTION
E-257	Shop Manufacture	TERMINAL, STUD: post type; brass rod, silver pl; $\frac{1}{8}$ " lg x $\frac{1}{8}$ " diam; mts by #4-40 tap x $\frac{1}{4}$ " diam; undercut $\frac{1}{8}$ " lg x 0.093" diam w/head 0.032" thk x 0.156" diam tapped end has 35 pitch knurl, approx 18 points; RCA part/dwg K-888927-1	Wiring Connection to Chassis
E-258	Shop Manufacture	INSULATOR, PLATE: flat rectangular shape; glass fabric, tetrafluoroethylene coated; $2\frac{1}{4}$ " lg x $\frac{1}{2}$ " wd x 0.005" thk, four 0.128" diam mtg holes spaced on $\frac{1}{4}$ ", 0.853", $\frac{1}{4}$ " ctrs; "I" shape slit on same centerline as holes $\frac{3}{4}$ " lg x $\frac{1}{4}$ " h; Dupont #405 (material only); RCA part/dwg A-8825747-4	Protects Wiring
E-259	Shop Manufacture	INSULATOR, PLATE: flat rectangular shape; glass fabric, tetrafluoroethylene coated; $1\frac{3}{4}$ " lg x $\frac{1}{2}$ " wd x 0.005" thk, four 0.128" diam mtg holes spaced on $\frac{1}{4}$ ", 0.853", $\frac{1}{4}$ " ctrs; "I" shape slit on same centerline as holes $\frac{1}{4}$ " lg x $\frac{1}{4}$ " h; Dupont #405 (material only); RCA part/dwg A-8825747-6	Protects Wiring
E-260		Same as E-257	Wiring Connection to Chassis
E-261		Same as E-257	Wiring Connection to Chassis
E-262	Shop Manufacture	TERMINAL, STUD: post type; brass rod, hot solder dip; $1\frac{1}{4}$ " lg x $\frac{1}{4}$ " wd across flats of hex head; mts by #6-32 thd x $\frac{1}{2}$ " lg; stud portion $1\frac{1}{2}$ " lg w/ two heads 0.156" diam x 0.092" wd separated by undercut $\frac{1}{2}$ " lg x 0.093" diam, second undercut is 0.140" lg x 0.093" diam extends to hex head which is 0.046" thk; RCA part/dwg K-891798-3	Wiring Connection to Chassis
E-263		Same as E-257	Wiring Connection to Chassis
E-264		Same as E-257	Wiring Connection to Chassis
E-265		Same as E-262	Wiring Connection to Chassis
E-266		Same as E-262	Wiring Connection to Chassis
E-267		Same as E-262	Wiring Connection to Chassis
E-268		Same as E-262	Wiring Connection to Chassis
E-269		Same as E-262	Wiring Connection to Chassis
E-270	Shop Manufacture	TERMINAL, LUG: ring type; brass, tin dipped; for #11 AWG wire; bent at 30 deg angle; $\frac{1}{8}$ " lg x $1\frac{1}{2}$ " h x 0.020" thk o/a approx; has 0.145" diam hole in one end; other end has 0.095" diam hole; solder connects to wire; Shakeproof Cat #2506-6 modified; RCA part/dwg K-889001-18	Wiring Connection to Chassis
E-271		Same as E-270	Wiring Connection to Chassis
E-272		Same as E-270	Wiring Connection to Chassis
E-273	Procured on demand by nearest Naval Shore Supply Activity	KNOB: round; molded black phenolic; for $\frac{1}{4}$ " diam shaft; double #6-32 set screw; $\frac{1}{4}$ " wd groove filled w/ white lacquer on pointer; $1\frac{1}{4}$ " diam x $\frac{1}{4}$ " h; brass insert; $\frac{1}{8}$ " d shaft hole; integral pointer $\frac{1}{4}$ " lg on periphery; eight equally spaced indentations for finger grip; RCA part/dwg F-741622-501	Actuates Panel Controls
E-274	Shop Manufacture	KNOB: round w/ eight equally spaced indentations around knob w/ bar extending $\frac{1}{2}$ " beyond periphery; black molded thermosetting plastic; for $\frac{1}{4}$ " diam shaft; double #6-32 set screw; marked w/ white line $\frac{1}{4}$ " wd; $1\frac{1}{2}$ " lg x $1\frac{1}{4}$ " diam x $\frac{1}{8}$ " h; brass insert; $\frac{1}{4}$ " d shaft hole; ctb $\frac{1}{4}$ " d x $\frac{1}{4}$ " diam; RCA part/dwg M-446-008-503	Actuates Reception Controls
E-275		Same as E-262	Wiring Connection to Chassis
E-276		Same as E-262	Wiring Connection to Chassis
E-277		Same as E-257	Wiring Connection to Chassis
E-278	Shop Manufacture	WASHER, FLAT: lam glass; $\frac{1}{4}$ " OD x 0.010" thk o/a; 0.196" ID hole; RCA part/dwg A-8812249-3	With E-279 Insulates C-251 from Chassis
E-279	Shop Manufacture	BUSHING: ins; nylon; female; $\frac{1}{4}$ " lg, 0.250" OD x 0.090" lg to $\frac{3}{8}$ " OD x 0.050" lg other end, 0.196" ID hole; RCA part/dwg A-8812249-1	With E-278 Insulates C-251 from Chassis
E-280		Same as E-257	Wiring Connection to Chassis
E-281	Shop Manufacture	ADAPTER, SHAFT: for connecting 0.191" diam shaft; to $\frac{1}{4}$ " OD hole; brass, hot solder finish; hollow tube shape w/ centrally located collar; $\frac{3}{4}$ " lg x $\frac{1}{4}$ " OD; has 0.191" ID hole, one end 0.240" OD w/ four equally spaced slots, has $\frac{1}{4}$ " OD x $\frac{1}{4}$ " wd ctr shoulder; other end 0.240" OD; RCA part/dwg A-8813758-1	Adaptes Coaxial Cable RG-122/U to J-464

**AN/SRR-11, AN/SRR-12,
AN/SRR-13, AN/SRR-13A
PARTS LIST**

NAVSHIPS 91875(A)

**Section 8
E-282—E-319**

E-282	Procured on demand by nearest Naval Shore Supply Activity	INSULATOR, BUSHING; tubular; lam phenolic tubing (Fed spec HH-P-256 Type 1 Grade XX); $\frac{3}{8}$ " lg; voltage not rated; 0.156" OD x 0.150" ID; ends chamfered 45 deg; RCA part/dwg A-8817118-1	Adapts Coaxial Cable RG-122/U to J-284
E-283	Procured on demand by nearest Naval Shore Supply Activity	KNOB; round; black phenolic; for $\frac{1}{8}$ " diam shaft; double #6-32 set screw; $\frac{1}{8}$ " wd groove filled w/ white lacquer on pointer; $\frac{1}{8}$ " diam x $\frac{1}{8}$ " h; brass insert; $\frac{1}{8}$ " d shaft hole; integral pointer $\frac{3}{8}$ " lg on periphery; two sides flattened parallel to pointer; RCA part/dwg P-741622-504	Knob for "Tuning Meter" and "Output Meter" Range Switch
E-284 thru E-300		Not Used	
E-301		Same as E-101	Type II Antenna Unit Connection to C-451D
E-301-1	Shop Manufacture	INSULATOR, PLATE; rectangular shape; lam glass cloth, silicone resin; $4\frac{1}{2}$ " lg x $\frac{1}{8}$ " wd x 0.010" thk, four 0.166" diam mtg holes irregularly spaced; RCA part/dwg A-8829184-3	Insulates E-309 from Chassis
E-302		Same as E-101	Type II Antenna Unit Connection to C-451D
E-303		Same as E-101	Type II Antenna Unit Connection to C-451E
E-304		Same as E-101	Type II Antenna Unit Connection to C-451E
E-305	N17-B077936-2420	BOARD, TERMINAL; mtg board for capacitors; 10 stud type term; spaced $\frac{5}{8}$ ", $\frac{5}{8}$ ", $\frac{5}{8}$ ", $\frac{5}{8}$ ", $\frac{5}{8}$ ", $\frac{5}{8}$ " diam mtg holes spaced 0.781" c to c; marked C-316, C-317, C-318, C-319, C-314; RCA part/dwg C-746-176-510	Supports Capacitors
E-306	Shop Manufacture	BOARD, TERMINAL; 10 stud type, solder post term; $\frac{3}{8}$ " c to c; lam glass cloth, silicone resin board; $1\frac{1}{2}$ " lg x $1\frac{1}{2}$ " wd x $\frac{1}{8}$ " thk o/a approx; two mtg holes #4-40 tap on 0.968" mtg/c; RCA part/dwg B-464055-501	Supports Resistors and Capacitors
E-307	Shop Manufacture	BOARD, TERMINAL; general purpose; four brass post type term hot solder dipped, two solder lug type term hot solder dipped; four post type term $1\frac{1}{2}$ " c to c x $1\frac{1}{2}$ " c to c, two solder lug type term on $1\frac{1}{2}$ " c to c; lam glass cloth silicone resin board; $1\frac{1}{2}$ " lg x $1\frac{1}{2}$ " wd x $1\frac{1}{2}$ " thk; two #4-40 self-clinching mtg nuts $1\frac{1}{2}$ " mtg/c on integral bkt; marked C-305, C-321; RCA part/dwg B-464047-501	Supports Capacitors
E-308	Shop Manufacture	BOARD, TERMINAL; general purpose; incl six silver-pl brass stud term, two silver pl brass links and mtg hardware; one row of three term spaced $1\frac{1}{2}$ " apart, second row of two term spaced $1\frac{1}{2}$ " apart; sixth term located $\frac{1}{2}$ " from other end; glass cloth silicone resin board $1\frac{1}{2}$ " thk; $2\frac{1}{2}$ " lg x 1.0 " wd x $1\frac{1}{2}$ " thk o/a; two 0.147" diam mtg holes $1\frac{1}{2}$ " c to c; one side marked 1, 2, 3, 4, 5, C-322 and R-304; other side marked 1, 2, 3, 4, 5 O-301 and O-302; RCA part/dwg B-465815-501	Supports O-301 and O-302
E-309	Shop Manufacture	PLATE, GROUNDING; supports wiring, used on ant B; brass, silver pl, clear water dipped; "Z" shape; $3\frac{1}{2}$ " lg x $1\frac{1}{2}$ " wd x $\frac{1}{8}$ " h o/a approx; mts by two #0-80 tapped mtg holes on 0.57" mtg/c; marked w/ E-306; J-304; RCA part/dwg I-630899-12	Supports Wiring
E-310	N17-B-77936-2417	BOARD, TERMINAL; mtg board for capacitors; 10 stud type term; spaced $\frac{5}{8}$ ", $\frac{5}{8}$ ", $\frac{5}{8}$ ", $\frac{5}{8}$ ", $\frac{5}{8}$ ", $\frac{5}{8}$ " diam mtg holes spaced 0.781" c to c; marked w/ R-301, C-310, C-307, C-304 and C-301; RCA part/dwg C-746176-509	Supports Capacitors
E-311	Shop Manufacture	PLATE, GROUNDING; supports wiring, used on ant A; brass, silver pl, and clear water dip synthetic finish; "Z" shape; $3\frac{1}{2}$ " lg x $1\frac{1}{2}$ " wd x $\frac{1}{8}$ " h o/a approx; mts by two #0-80 tapped mtg holes on 0.57" mtg/c; marked w/ C-303, C-306, C-309, C-312, C-316, C-313; RCA part/dwg I-630899-4	Supports Wiring
E-312		Same as E-106; p/o E-319	Supports V-301
E-313		Same as E-156; p/o E-319	Supports Wiring
E-314	Shop Manufacture	BOARD, TERMINAL; general purpose; four brass post type term hot solder dipped, two solder lug type term hot solder dipped; four post type term $1\frac{1}{2}$ " c to c x $1\frac{1}{2}$ " c to c, two solder lug type term on $1\frac{1}{2}$ " c to c; lam glass cloth, silicone resin board; $1\frac{1}{2}$ " lg x $1\frac{1}{2}$ " wd x $1\frac{1}{2}$ " thk; two #4-40 self-clinching mtg nuts $1\frac{1}{2}$ " mtg/c on integral bkt; marked C-320, C-311; RCA part/dwg B-464047-502	Supports Capacitors
E-315		Not Used	Supports Wiring
E-316		Same as E-107	Supports Wiring
E-317		Same as E-108	Supports Wiring
E-318		Not Used	Supports Wiring
E-319	Shop Manufacture	BOARD, TERMINAL; 17 stud term, brass, silver pl; one brass lug eye term, hot solder dipped; one row of six term at end, 0.156" c to c; two triangle groups of three ea in ctr 0.187" c to c to right angle, two 3/4 side 0.187" c to c; two in corners at end 1.156" c to c; lam glass cloth, silicone resin board; $\frac{1}{8}$ " thk; $1\frac{1}{2}$ " lg x $1\frac{1}{2}$ " wd x $1\frac{1}{2}$ " d/o/a; mtd by two term pins at one end in corners 0.093" diam, 1.156" c to c; 0.328" lg, projecting; assembled w/shield, shield mount, grounding strap, retainer stop, bkt, and springs; "R", "V", and term # and 10 markings; RCA part/dwg I-629844-504	Supports Wiring With E-316 Supports Wiring Foundation for Z-301

CONTRACT NObar-52014

TABLE 8-4. TABLE OF REPLACEABLE PARTS—Continued
RADIO RECEIVING SETS AN/SRR-11, AN/SRR-12, AN/SRR-13, AN/SRR-13A

REF SYMBOL	STOCK NUMBERS SIGNAL CORPS STANDARD NAVY AIR FORCE	NAME OF PART AND DESCRIPTION	LOCATING FUNCTION
E-320 thru E-323		Not Used	
E-324	Shop Manufacture	TERMINAL, LUG; eye type; w/right angle bend; copper; hot solder dipped; #16 AWG wire accommodated; 1 1/4" lg x 1/4" wd x 1/4" h o/a; soldered wire connection; 0.120" diam mtg hole in 1/2" diam end; made from 0.032" thk sheet, 1/8" wd wiring sect; for general purpose use; RCA part/dwg A-79534-10	Connection to Chassis
E-325		Same as E-136	Insulates E-311 from Chassis
E-325-1		Same as E-301-1	Insulates E-239 from Chassis
E-326		Same as E-101	Type II RF Unit Connection to C-451C
E-327		Same as E-101	Type II RF Unit Connection to C-451C
E-328	N17-B077936-2414	BOARD, TERMINAL; 10 post type, solder lug term; spaced 5/8", 1/2", 1/2", 1/2", 1/2", 1/2", 1/2", 1/2", 1/2", 1/2" ctr; lam glass cloth, silicone resin board; 4 1/2" lg x 1 1/2" wd x 1/4" thk o/a approx; five 0.078" diam mtg holes spaced 0.781" c to c; marked w/ C-329, R-326, C-327; RCA part/dwg C-746176-507; rev 7	Supports Capacitors
E-329	Shop Manufacture	PLATE, GROUNDING; used on RF B; brass, silver pl and clear water dip synthetic finish; "Z" shape; 3 1/2" lg x 1 1/4" wd x 1/4" h o/a approx; mts by two #0-80 tapped mtg holes on 0.578" mtg/c; marked w/ C-328, C-331, C-333, C-335, C-337, C-326, C-330, C-332, C-334 and C-336; RCA part/dwg T-630899-5	Supports Wiring
E-330	Shop Manufacture	BOARD, TERMINAL; general purpose; five brass post type hot solder dipped term; two brass solder dipped solder lug term; five post type term irregularly spaced; two solder lug term on 1/2" c to c; lam glass cloth, silicone resin board; 1 1/2" lg x 1 1/2" wd x 1/4" thk; mtd by two #4-40 self-clinching nuts on 0.375" mtg/c of integral bkt; marked C339, C327, C338; RCA part/dwg B-464024-502	Supports Resistors and Capacitors
E-331		Same as E-106; p/o E-338	Supports V-326
E-332		Same as E-156; p/o E-338	Supports Wiring
E-333		Same as E-324	Supports Wiring
E-334, E-335		Not Used	
E-336		Same as E-107	Supports Wiring
E-337		Same as E-108	With E-336 Supports Wiring
E-338	Shop Manufacture	BOARD, TERMINAL; 17 stud term, brass, silver pl; one brass lug eye term hot solder dipped; one row of six term at end, 0.156" c to c, two triangle groups of three ea in ctr 0.187" c to c right angle, two at side 0.187" c to c, two in corners at end 1.156" c to c; lam glass cloth, silicone resin board, 1/4" thk; 3" lg x 1 1/2" wd x 1/4" d o/a; mtd by two term pins at one end in corners 0.093" diam, 1.156" c to c; 0.328" lg projecting; assembled w/shield, shield mount, grounding strap, retainer stop, bkt, and springs; "C", "R", "V", and term # and ltr markings; RCA part/dwg T-629844-510; p/o Z-326	Foundation for Z-326
E-339		Same as E-136	Insulates E-329 from Chassis
E-340 thru E-350		Not Used	
E-351		Same as E-101	Type II Mixer Unit Connection to C-451B
E-352		Same as E-101	Type II Mixer Unit Connection to C-451B
E-353		Not Used	
E-354	Shop Manufacture	PLATE, GROUNDING; used on mixer B; brass, silver pl and clear water dip synthetic finish; "Z" shape; 3 1/2" lg x 1 1/4" wd x 1/4" h o/a approx; mts by two #0-80 tapped mtg holes on 0.578" mtg/c; marked w/ C-354, C-357, C-360, C-363, C-366, R-351, C-356, C-359, C-362, C-365, and C-353; RCA part/dwg T-630899-6	Supports Wiring
E-355	N17-B-99999-0007	BOARD, TERMINAL; mtg board for capacitors; 10 post type solder lug term; spaced 1/2", 1/2", 1/2", 1/2", 1/2", 1/2", 1/2", 1/2", 1/2", 1/2" ctr; lam glass cloth, silicone resin board; 4 1/2" lg x 1 1/2" wd x 1/4" thk o/a approx; five 0.078" diam mtg holes spaced 0.781" c to c; marked w/ C-364, C-361, C-358, C-355, C-352; RCA part/dwg P-746176-508	Supports Capacitors

**AN/SRR-11, AN/SRR-12,
AN/SRR-13, AN/SRR-13A
PARTS LIST**

NAVSHIPS 91875(A)

**Section 8
E-356 - E-456**

E-356	Supports V-356	Same as E-106; p/o E-363	
E-357	Supports V-357	Same as E-106; p/o E-363	
E-358	Supports Wiring	Same as E-156; p/o E-363	
E-359	Supports Wiring	Same as E-156; p/o E-363	
E-360	Supports Wiring	Same as E-324	
E-361	Supports Wiring	Same as E-107	
E-362	With E-361 Supports Wiring	Same as E-108	
E-363	Foundation for Z-351	BOARD, TERMINAL; lam glass cloth, silicone resin; incl eight solder post type, two pin type, 12 solder post feedthru type and one solder lug type term; w/o barriers; 3" lg x 1 1/4" wd x 1/8" thk less term; two term pins at end in corners, 0.093" x 0.328" mtg/c; principal accessories, shields, shield mounts, retainer stop, grounding straps, bkt, and spring; RCA part/dwg T-629844-501; p/o Z-351	Shop Manufacture
E-364	Insulates E-354 from Chassis	Same as E-136	
E-365 thru E-400	Not Used		
E-401	Type II Oscillator Connection to C-451A	Same as E-101	
E-402	Type II Oscillator Connection to C-451A	Same as E-101	
E-403	Supports Capacitors and Wiring	BOARD, TERMINAL; general purpose; four brass post type hot solder dipped term; two brass solder lug hot solder dipped term; four post type term irregularly spaced, two solder lug term on 1 1/2" c to c; lam glass cloth, silicone resin board; 1 1/2" lg x 1 1/2" wd x 1/2" thk; mtd by two #4-40 self-clinching nuts on 0.375" mtg/c of integral bkt; marked C415; RCA part/dwg B-464024-504	Shop Manufacture
E-404	Supports Capacitors and Wiring	BOARD, TERMINAL; supports capacitors; six stud type term; irregularly spaced; lam glass cloth, silicone resin board; 4 1/2" lg x 1 1/2" wd x 1/2" thk o/a approx; five 0.078" diam mtg holes spaced 0.781" c to c; marked w/ C-408, C-409, C-401; RCA part/dwg C-746176-513	N17-B077741-3834
E-405	Supports Wiring	PLATE, GROUNDING; used on osc B; brass, silver pl and clear water dip synthetic finish; "Z" shape; 3 1/2" lg x 1 1/2" wd x 1/2" h o/a approx; mts by two #0-80 tapped mtg holes on 0.578" mtg/c; marked w/ C-404, C-407, C-410, C-418, C-403, C-406, C-409, C-412, C-416, C-402, C-418 and C-417; RCA part/dwg T-630899-7	Shop Manufacture
E-406	Supports V-401	Same as E-106; p/o E-413	
E-407	Supports Wiring	Same as E-156; p/o E-413	
E-408	Wiring Connection to Chassis	Same as E-324	
E-409	Insulates E-405 from Chassis	Not Used	
E-410	Supports Wiring	Same as E-136	
E-411	Supports Wiring	Same as E-107	
E-412	With E-411 Supports Wiring	Same as E-108	
E-413	Foundation for Z-401	BOARD, TERMINAL; lam glass cloth, silicone resin; incl eight solder post type, two pin type, two solder post feedthru type, and six stud term; w/o barriers; 3" lg x 1 1/4" wd x 1 1/4" d o/a; mtd by two term pins at one end in corners, 0.093" diam, 1.156" c to c, 0.328" lg projecting; w/shield, shield mount, retainer stop, grounding straps, bkt, and springs; RCA part/dwg T-629844-503; p/o Z-401	Shop Manufacture
E-414 thru E-450	Not Used		
E-451	Connects Dial Lamp Wiring	Same as E-251	
E-452	Supports Wiring	Same as E-252	
E-453	Supports Resistors, Capacitors, and L-451	BOARD, TERMINAL; general purpose; six post type term; term irregular spaced; two rows 1/4", 1/2" and 3/4" c to c; lam glass cloth; 2 1/2" lg x 4 1/2" wd x 1/2" h excluding term; two 0.156" diam mtg holes on 2.312" mtg/c in "L" shape bkt; marked C-453, C-454, C-455, L-451, R-461; RCA part/dwg B-459860-502	Shop Manufacture
E-454	Heat Insulator for Coaxial Cable	Same as E-254	
E-455	Supports Antenna Circuit Wiring	Same as E-255	
E-456	Supports Resistors	BOARD, TERMINAL; 14 stud type solder post term; 1/2" c to c; lam glass cloth, silicone resin board; 2 1/2" lg x 1" wd x 1/4" thk o/a approx; two mtg holes #6-32 tap on 2 1/2" mtg/c; marked w/ R-453, R-455, R-454, R-460 and R-459; RCA part/dwg B-464035-502	Shop Manufacture

TABLE 8-4. TABLE OF REPLACEABLE PARTS—Continued
RADIO RECEIVING SETS AN/SRR-11, AN/SRR-12, AN/SRR-13, AN/SRR-13A

REF. SYMBOL	STOCK NUMBERS SIGNAL CORPS STANDARD NAVY AIR FORCE	NAME OF PART AND DESCRIPTION	LOCATING FUNCTION
E-457		Same as E-257	Wiring Connection to Chassis
E-458		Same as E-258	Protects Wiring
E-459		Same as E-259	Protects Wiring
E-460		Same as E-257	Wiring Connection to Chassis
E-461		Same as E-257	Wiring Connection to Chassis
E-462		Same as E-262	Wiring Connection to Chassis
E-463		Same as E-257	Wiring Connection to Chassis
E-464		Same as E-257	Wiring Connection to Chassis
E-465		Same as E-262	Wiring Connection to Chassis
E-466		Same as E-262	Wiring Connection to Chassis
E-467		Same as E-262	Wiring Connection to Chassis
E-468		Same as E-262	Wiring Connection to Chassis
E-469		Same as E-262	Wiring Connection to Chassis
E-470		Same as E-270	Wiring Connection to Chassis
E-471		Same as E-270	Wiring Connection to Chassis
E-472		Same as E-270	Wiring Connection to Chassis
E-473		Same as E-270	Wiring Connection to Chassis
E-474		Same as E-273	Wiring Connection to Chassis
E-475		Same as E-274	Wiring Connection to Chassis
E-476		Same as E-262	Wiring Connection to Chassis
E-477		Same as E-262	Wiring Connection to Chassis
E-478		Same as E-257	Wiring Connection to Chassis
E-479		INSULATOR, BUSHING: nylon rod; Polymer Type #FM 1001; male and female: $\frac{1}{4}$ " lg x $\frac{3}{4}$ " OD w/ two flattened sides $\frac{1}{16}$ " across flats; 0.375" ID; the side other side has cth $\frac{1}{4}$ " d x 0.406" diam $\frac{1}{4}$ " lg shoulder $\frac{3}{8}$ "-32 thd $\frac{1}{4}$ " lg; shank unthreaded for $\frac{1}{8}$ " at cap end; Polymer Corp. of Pa. Type #FM 1001; RCA part/dwg A-8829143-1	Actuates Panel Controls
E-480	Shop Manufacture	TERMINAL, LUG: round tongue end type; $\frac{1}{4}$ " thk copper; hot solder dipped; must be smooth and free of lumps; #15 AWG wire accommodated; $\frac{1}{16}$ " h x $\frac{1}{8}$ " lg x $\frac{1}{8}$ " wd o/a; soldered wire connection; One 0.144" diam mtg hole and one $\frac{1}{16}$ " diam hole to accommodate wire; shakeproof; F. R. Zierick Co. Cat #75 modified; RCA part/dwg A-79534-14	Actuates Reception Control
E-481		Same as E-278	Wiring Connection to Chassis
E-482		Same as E-279	Wiring Connection to Chassis
E-483	Shop Manufacture	BUSHING: ins; nylon; male or female; 0.115" lg x $\frac{1}{4}$ " diam o/a; larger end 0.035" lg x $\frac{1}{4}$ " diam cut back to 0.156" diam x 0.080" lg; 0.116" ID; RCA part/dwg A-8812249-2	Insulates Chassis from Cabinet
E-484		Same as E-257	Wiring Connection to Chassis
E-485		Same as E-281	Wiring Connection to Chassis
E-486		Same as E-282	Wiring Connection to Chassis
E-487		Same as E-283	Wiring Connection to Chassis

AN/SRR-11, AN/SRR-12,
AN/SRR-13, AN/SRR-13A
PARTS LIST

NAVSHIPS 91875(A)

Section 8
E-488 — E-527

E-488 thru E-500		Not Used		Type III Antenna Unit Connection to C-651E
E-501		Same as E-101		Type III Antenna Unit Connection to C-651E
E-502		Same as E-101		Type III Antenna Unit Connection to C-651D
E-503		Same as E-101		Type III Antenna Unit Connection to C-651D
E-504		Same as E-101		Supports Capacitors
E-505	N17-B077936-2426	BOARD, TERMINAL: 10 stud type term; spaced $\frac{5}{16}$ " lg x $\frac{5}{16}$ " wd x $\frac{1}{8}$ " o/a approx; five 0.078" diam mtg holes spaced 0.781" c to c; marked w/ C-515, C-516, C-517, C-519 and C-520; RCA part/dwg C-746176-512		Supports Capacitors and Resistors
E-506	Shop Manufacture	BOARD, TERMINAL: 10 solder lug term, solder post; $\frac{3}{8}$ " c to c; lam glass cloth, silicone resin board; $1\frac{1}{2}$ " lg x $1\frac{1}{2}$ " wd x $\frac{1}{8}$ " thk o/a approx; two mtg holes #4-40 tap on 0.968" mtg/c; marked w/ C-518; RCA part/dwg B-464055-502		Supports Capacitors
E-507	Shop Manufacture	BOARD, TERMINAL: general purpose; four brass post type term hot solder dipped, two solder lug type term hot solder dipped; four post type term $1\frac{1}{2}$ " c to c x $1\frac{1}{2}$ " c to c; two solder lug type term on $1\frac{1}{2}$ " c to c; lam glass cloth, silicone resin board; $1\frac{1}{2}$ " lg x $1\frac{1}{2}$ " wd x $\frac{1}{8}$ " thk; two #4-40 self-clinching mtg nuts $1\frac{1}{2}$ " mtg/c on integral bkt; marked C-514, C-513; RCA part/dwg B-464047-503		Supports Capacitors
E-508	Shop Manufacture	BOARD, TERMINAL: 6 solder lug term, solder post; irregularly spaced; glass cloth, silicone resin board; $2\frac{1}{2}$ " lg x $1\frac{1}{2}$ " wd x $\frac{1}{8}$ " thk o/a approx; two 0.147" diam mtg holes on $1\frac{1}{2}$ " mtg/c; marked w/ C-524, R-505, O-501, O-502; RCA part/dwg B-465815-502		Supports O-501, O-502
E-509	Shop Manufacture	PLATE, GROUNDING: used on ant C; brass, silver pl, clear water dipped; "Z" shape; $3\frac{1}{2}$ " lg x $1\frac{1}{2}$ " wd x $\frac{1}{8}$ " h o/a approx; mtg by two #0-80 tapped mtg holes on 0.578" mtg/c; marked w/ E-506, J-504, E-515; RCA part/dwg T-630899-13		Supports Wiring
E-510	N17-B077936-2423	BOARD, TERMINAL: 10 stud type term; spaced $\frac{5}{16}$ " lg x $\frac{5}{16}$ " wd x $\frac{1}{8}$ " o/a approx; five 0.078" diam mtg holes spaced 0.781" c to c; marked w/ C-501-1, C-511, and C-510; RCA part/dwg C-746176-511		Supports Capacitors
E-511	Shop Manufacture	PLATE, GROUNDING: used on ant C; brass, silver pl and clear water dip synthetic finish; "Z" shape; $3\frac{1}{2}$ " lg x $1\frac{1}{2}$ " wd x $\frac{1}{8}$ " h o/a approx; mts by two #0-80 tapped mtg holes on 0.578" mtg/c; marked w/ C-501, C-502, C-503, C-504, C-505, C-506, C-507, C-508, C-509 and C-512; RCA part/dwg T-630899-8		Supports Wiring
E-512		Same as E-106; p/o E-519		Supports V-501
E-513		Same as E-156; p/o E-519		Supports Wiring
E-514	Shop Manufacture	BOARD, TERMINAL: general purpose; four brass post type term hot solder dipped; two solder lug type term hot solder dipped; four post type term $1\frac{1}{2}$ " c to c x $1\frac{1}{2}$ " c to c; two solder lug type term on $1\frac{1}{2}$ " c to c; lam glass cloth, silicone resin board; $1\frac{1}{2}$ " lg x $1\frac{1}{2}$ " wd x $\frac{1}{8}$ " thk; two #4-40 self-clinching mtg nuts $1\frac{1}{2}$ " mtg/c on integral bkt; marked C-523, C-521, C-522; RCA part/dwg B-464047-504		Supports Capacitors
E-515	Shop Manufacture	BOARD, TERMINAL: general purpose; two brass post type term hot solder dipped; one term on ea end of board in opposite corners; lam glass cloth, silicone resin board; $3\frac{1}{2}$ " lg x $1\frac{1}{2}$ " wd x $\frac{1}{8}$ " thk o/a approx; two 0.136" diam mtg holes, one on ea end of board, diagonally on $\frac{1}{4}$ " x $\frac{3}{4}$ " c to c from end and side of board; marked, C-525; RCA part/dwg B-465843-501		Supports Capacitors
E-516		Same as E-107		Supports Wiring
E-517		Same as E-108		With E-516, Supports Wiring
E-518		Not Used		Foundation for Z-501
E-519	For Reference Only	BOARD, TERMINAL: lam glass cloth, silicone resin; incl 15 solder post, feedthru type, two pin type, and one solder lug type term; $3\frac{1}{2}$ " lg x $1\frac{1}{2}$ " wd x $\frac{1}{8}$ " thk less term; mtg by two term pins spaced 1.156" c to c; principal accessories incl three springs, one retainer stop, one shield mount, one stud, one shield, and one grounding strap; RCA part/dwg T-629844-509; p/o Z-501		Wiring Connection to Chassis
E-520		Same as E-324		Insulates E-511 from Chassis
E-521		Same as E-136		Insulates E-509 from Chassis
E-522		Same as E-301-1		Type III RF Unit Connection to C-651C
E-523 thru E-525		Not Used		Type III RF Unit Connection to C-651C
E-526		Same as E-101		
E-527		Same as E-101		

CONTRACT NObsr-52014

TABLE 8-4. TABLE OF REPLACEABLE PARTS—Continued
RADIO RECEIVING SETS AN/SRR-11, AN/SRR-12, AN/SRR-13, AN/SRR-13A

REF SYMBOL	STOCK NUMBERS SIGNAL CORPS STANDARD NAVY AIR FORCE	NAME OF PART AND DESCRIPTION	LOCATING FUNCTION
E-528	N17-B077936-2432	BOARD, TERMINAL: supports capacitors; 10 stud type term; spaced $\frac{5}{8}$ " $\frac{5}{8}$ ", $\frac{5}{8}$ " $\frac{5}{8}$ ", $\frac{5}{8}$ " $\frac{5}{8}$ " $\frac{5}{8}$ " $\frac{5}{8}$ " $\frac{5}{8}$ " c to c; lam glass cloth, silicone resin board; $4\frac{1}{2}$ " lg x $\frac{1}{4}$ " wd x $\frac{1}{4}$ " thk o/a approx; five 0.078" diam mtg holes spaced 0.781" c to c; marked C-536, C-543, C-535, C-534, and C-531; RCA part/dwg C-746176-514	Supports Capacitors and Wiring
E-529	For Reference Only	PLATE, GROUNDING: used on RFC; brass, silver pl and clear water dip synthetic finish; "Z" shape; $3\frac{1}{4}$ " lg x $1\frac{3}{4}$ " wd x $\frac{1}{8}$ " h o/a approx; mts by two #0-80 tapped mtg holes on 0.378" mtg/c; marked w/ C-526, C-527, C-528, C-529, C-530, C-533, C-538, C-539 and C-543; RCA part/dwg T-630899-9	Supports Wiring
E-530	Shop Manufacture	BOARD, TERMINAL: general purpose; five brass post type term hot solder dipped; two brass solder lug type term hot solder dipped; five post type term irregularly spaced, two solder lug term on opposite side of board at $1\frac{1}{2}$ " c to c; lam glass cloth, silicone resin board; $1\frac{1}{2}$ " lg x $1\frac{1}{2}$ " wd x $1\frac{1}{2}$ " thk; mtd by two #4-40 self-clinching nuts on 0.375" mtg/c of integral bkt; marked C-540, C-541, C-544, C-545; RCA part/dwg B-464024-505	Supports Capacitors and Wiring
E-531		Same as E-106; p/o E-538	Supports V-526
E-532		Same as E-156; p/o E-538	Supports Wiring
E-533		Same as E-324	Wiring Connection to Chassis
E-534		Not Used	
E-535		Same as E-136	Insulates E-529 from Chassis
E-536		Same as E-107	Supports Wiring
E-537		Same as E-108	With E-536 Supports Wiring
E-538	For Reference Only	BOARD, TERMINAL: 17 brass stud term, silver pl; one brass lug eye term, hot solder dipped; one row of six term at end 0.156" c to c, two triangle groups of three ea in ctr 0.187" c to c right angle, two at side 0.187" c to c, two in corners at end 1.156" c to c; lam glass cloth, silicone resin board, $\frac{1}{8}$ " thk; $3\frac{1}{2}$ " lg x $1\frac{1}{2}$ " wd x $1\frac{1}{2}$ " d o/a; mtd by two term pins at one end in corners 0.093" diam, 1.156" c to c, 0.328" h; mounting: assembled w/ shields, shield mount, grounding strap, retainer stop, bkt, and springs; "C", "R", "V", and term # and ltr markings; RCA part/dwg T-6293844-511; p/o Z-526	Foundation for Z-526
E-539 thru E-550		Not Used	
E-551		Same as E-101	Type III Mixer Unit Connection to C-651B
E-552		Same as E-101	Type III Mixer Unit Connection to C-651B
E-553	Shop Manufacture	BOARD, TERMINAL: general purpose; five brass post type term hot solder dipped; two solder lug term hot solder dipped; five post type term irregularly spaced; two solder lug term on opposite side of board at $1\frac{1}{2}$ " c to c; lam glass cloth, silicone resin board; $1\frac{1}{2}$ " lg x $1\frac{1}{2}$ " wd x $1\frac{1}{2}$ " thk; mtd by two #4-40 self-clinching nuts on 0.375" mtg/c of integral bkt; marked C-568, C-569, C-565, C-566; RCA part/dwg B-464024-506	Supports Capacitors and Wiring
E-554	Shop Manufacture	PLATE, GROUNDING: used on mixer C; brass, silver pl and clear water dip synthetic finish; "Z" shape; $3\frac{1}{4}$ " lg x $1\frac{3}{4}$ " wd x $\frac{1}{8}$ " h o/a approx; mts by two #0-80 tapped mtg holes on 0.578" mtg/c; marked w/ C-531, C-552, C-553, C-554, C-555, C-556, C-559, C-562, C-564 and C-567; RCA part/dwg T-630899-10	Supports Wiring
E-555	N17-B077936-2435	BOARD, TERMINAL: supports capacitors; 10 stud type term; spaced $\frac{5}{8}$ " $\frac{5}{8}$ ", $\frac{5}{8}$ " $\frac{5}{8}$ ", $\frac{5}{8}$ " $\frac{5}{8}$ " $\frac{5}{8}$ " $\frac{5}{8}$ " $\frac{5}{8}$ " c to c; lam glass cloth, silicone resin board; $4\frac{1}{2}$ " lg x $\frac{1}{4}$ " wd x 0.083" thk o/a approx; five 0.073" diam mtg holes spaced 0.781" c to c; marked w/ C-570, C-577, C-561, C-558 and C-557; RCA part/dwg C-746176-515	Supports Capacitors and Wiring
E-556		Same as E-106; p/o E-563	Supports V-551
E-557		Same as E-106; p/o E-563	Supports V-552
E-558		Same as E-156; p/o E-563	Supports Wiring
E-559		Same as E-156; p/o E-563	Supports Wiring
E-560		Same as E-324	Wiring Connection to Chassis

**AN/SRR-11, AN/SRR-12,
AN/SRR-13, AN/SRR-13A
PARTS LIST**

NAVSHIPS 91875(A)

**Section 8
E-561—E-655**

E-561	Same as E-107	Supports Wiring
E-562	Same as E-108	With E-561 Supports Wiring
E-563	For Reference Only	Foundation for Z-551
E-564	Procured on demand by nearest Naval Shore Supply Activity	Insulates E-554 from Chassis
E-565		Supports Bus Wiring
E-566		Wiring Connection to Chassis
E-567 thru E-600		Type III Oscillator Connection to C-651A
E-601		Type III Oscillator Connection to C-651A
E-602		Supports Capacitors and Wiring
E-603	Shop Manufacture	
E-604	N17-B-77741-3839	Supports Capacitors and Wiring
E-605	Shop Manufacture	Supports Wiring
E-606		Supports V-601
E-607		Supports Wiring
E-608		Wiring Connection to Chassis
E-609		Insulates E-605 from Chassis
E-610		Insulates E-605 from Chassis
E-611		Supports Wiring
E-612		With E-611 Supports Wiring
E-613	For Reference Only	Foundation for Z-601
E-614		Wiring Connection to Chassis
E-615 thru E-650		Connects Dial Lamp Wiring
E-651		Supports Wiring
E-652		Supports Resistors, Capacitors, and L-651
E-653	Shop Manufacture	
E-654		Heat Insulator for Coaxial Cable
E-655		Supports Antenna Circuit Wiring

TABLE 8-4. TABLE OF REPLACEABLE PARTS—Continued
RADIO RECEIVING SETS AN/SRR-11, AN/SRR-12, AN/SRR-13, AN/SRR-13A

REF SYMBOL	STOCK NUMBERS SIGNAL CORPS STANDARD NAVY AIR FORCE	NAME OF PART AND DESCRIPTION	LOCATING FUNCTION
E-656	Shop Manufacture	BOARD, TERMINAL: general purpose; 14 miniature swaged solder post term; two rows of term spaced $\frac{1}{4}$ " apart, term in ea row spaced $\frac{1}{2}$ " apart; lam glass cloth, silicone resin board; $2\frac{1}{2}$ " lg x $1\frac{1}{2}$ " wd x $\frac{3}{16}$ " thk; mts by two #6-32 tapped spacers located on centerline $2\frac{1}{4}$ " c to c; marked w/ R-668, R-653, R-655, R-654, R-660, R-659, R-664; RCA part/dwg B-464035-503	Supports Resistors
E-657	Same as E-257		Supports Resistors
E-658	Same as E-258		Protects Wiring
E-659	Same as E-259		Protects Wiring
E-660	Same as E-257		Wiring Connection to Chassis
E-661	Same as E-257		Wiring Connection to Chassis
E-662	Same as E-262		Wiring Connection to Chassis
E-663	Same as E-257		Wiring Connection to Chassis
E-664	Same as E-257		Wiring Connection to Chassis
E-665	Same as E-262		Wiring Connection to Chassis
E-666	Same as E-262		Wiring Connection to Chassis
E-667	Same as E-262		Wiring Connection to Chassis
E-668	Same as E-262		Wiring Connection to Chassis
E-669	Same as E-262		Wiring Connection to Chassis
E-670	Shop Manufacture	TERMINAL, LUG: round tongue end type; brass; solder coat finish; #11 AWG wire accommodated; $1\frac{1}{8}$ " lg x $\frac{3}{8}$ " wd x 0.016 " thk o/a; crimped and soldered wire connection; one 0.140 " diam mtg hole at one end; Cinch Mfg. Co. Cat #1430; RCA part/dwg A-8819429-1	Wiring Connection to Chassis
E-671	Same as E-270		Wiring Connection to Chassis
E-672	Same as E-270		Wiring Connection to Chassis
E-673	Same as E-270		Wiring Connection to Chassis
E-674	Same as E-273		Actuates Panel Controls
E-675	Same as E-274		Actuates Reception Control
E-676	Same as E-262		Wiring Connection to Chassis
E-677	Same as E-262		Wiring Connection to Chassis
E-678	Same as E-257		Wiring Connection to Chassis
E-679	Same as E-479		Wiring Connection to Chassis
E-680	Same as E-270		Insulates Chassis from Cabinet
E-681	Same as E-278		Wiring Connection to Chassis
E-682	Same as E-279		With E-682 Insulates C-651 from Chassis
E-683	Same as E-483		With E-681 Insulates C-651 from Chassis
E-684	Same as E-257		Insulates C-656 from Chassis
E-685	Same as E-257		Wiring Connection to Chassis
E-686	Same as E-281		Wiring Connection to Chassis
E-687	Same as E-282		Adapts Coaxial Cable RG-122/U to J-664
E-688	Same as E-283		Adapts Coaxial Cable RG-122/U to Connector Knob for "Tuning Meter" and "Output Meter" Range Switch

**AN/SRR-11, AN/SRR-12,
AN/SRR-13, AN/SRR-13A
PARTS LIST**

NAVSHIPS 91875(A)

**Section 8
E-689—E-902**

E-689	N17-T-28244-2475	Supports Wiring	TERMINAL, FEEDTHRU: ins. turret type; ceramic ins. JAN-1-10; brass cond hot solder dip; $\frac{3}{16}$ " lg x $\frac{1}{8}$ " diam; 1707.50 v RMS breakdown v; mts by means of flanged bushing $\frac{1}{4}$ " lg, $\frac{1}{16}$ " x .28" thk; meets Fed. Spec QQ-M-151; Cambridge Thermionic Corp. Cat #X1990; RCA part/dwg C-743079-1. Used on AN/SRR-13A only.
E-690	Low Failure Item— if required requisition from ESO referencing NavShips 900,180A	Wiring Connection to Chassis	TERMINAL, LUG: mtg outline shape #15 Sect A Ref. Dwg Group 20; one mtg facility type #8 Sect B Ref Dwg Group 20; $\frac{1}{4}$ " stud accommodated; $\frac{1}{16}$ " from ctr of mtg hole to end of mtg brass; anneal finish; $\frac{1}{16}$ " lg x $\frac{1}{8}$ " wd x $\frac{1}{16}$ " h o/a; one conductor accommodation type #7 Sect C Ref Dwg Group 20; accommodates #14 AWG conductor; solder connection; 0.063" to 0.068" diam hole; RCA part/dwg A-8233061-4. Used on AN/SRR-13A only.
E-691 thru E-700	Shop Manufacture	Wiring Connection to Chassis	Not Used
E-701	Shop Manufacture	Supports Wiring	TERMINAL, LUG: eye type, body style #1; $\frac{1}{4}$ " thk copper, hot solder dip; for #16 AWG wire; $\frac{1}{16}$ " lg x $\frac{1}{4}$ " h x $\frac{1}{8}$ " wd. w/ mtg hole 0.120" diam; solder connect to wire; bent at 90 deg $\frac{1}{4}$ " from mtg end; RCA part/dwg K-79534-11
E-702	Shop Manufacture	Supports Capacitors	BOARD, TERMINAL: general purpose; seven brass stud type term solder dipped; two rows $\frac{3}{16}$ " c to c; three term in ea row spaced $\frac{3}{16}$ " c to c; and one term on same centerline as mtg holes; lam glass cloth; $\frac{1}{16}$ " lg x $\frac{1}{8}$ " wd x $\frac{1}{16}$ " thk; two mtg holes 0.147" diam $\frac{1}{16}$ " c to c; RCA part/dwg A-8820937-501
E-703	Shop Manufacture	Supports Resistors and Capacitors	BOARD, TERMINAL: general purpose; six brass stud type term solder dipped; two rows of term 1" c to c, three term in ea row spaced 0.531" and 0.203" c to c; lam phenolic board; $\frac{1}{4}$ " lg x $\frac{1}{8}$ " wd x $\frac{1}{16}$ " thk; one $\frac{1}{4}$ " lg x $\frac{1}{8}$ " wd mtg slot in ea end; RCA part/dwg A-8820931-501
E-704	Shop Manufacture	Wiring Connection to Chassis	BOARD, TERMINAL: general purpose; two single end and three feedthru brass, stud type term solder dipped; irregularly spaced; lam phenolic board; $1\frac{1}{2}$ " lg x $\frac{1}{16}$ " wd x $\frac{1}{16}$ " thk; two mtg holes 0.147" diam $\frac{1}{16}$ " c to c; RCA part/dwg A-8820935-501
E-705	Shop Manufacture	Wiring Connection to Chassis	BOARD, TERMINAL: general purpose; six brass stud type term solder dipped; two rows $\frac{1}{4}$ " c to c; three term in ea row spaced $\frac{3}{16}$ " c to c; lam phenolic board; $1\frac{1}{2}$ " lg x $\frac{1}{16}$ " wd x $\frac{1}{16}$ " thk; integral "L" shape mtg bkt w/ #4-40 clinch nuts on 0.437" ctr; RCA part/dwg A-8820950-501
E-706	Shop Manufacture	Supports Wiring	Same as E-701
E-707	Shop Manufacture	Supports Capacitors	Same as E-701
E-708	Shop Manufacture	Wiring Connection to Chassis	HOLDER, CRYSTAL UNIT: beryllium copper, white nickel pl finish; $\frac{1}{4}$ " lg x $\frac{1}{8}$ " h x $\frac{1}{8}$ " wd o/a; max inside length at base $1\frac{1}{2}$ " lg; heat treated spring temper; single mtg hole 0.120" diam in ctr of base; RCA part/dwg A-8837459-1
E-709 thru E-800	Shop Manufacture	Wiring Connection to Chassis	Not Used
E-801	Shop Manufacture	Supports Wiring	Same as E-701
E-802	Shop Manufacture	Supports Capacitors	Same as E-702
E-803	Shop Manufacture	Supports R-805 and Wiring	BOARD, TERMINAL: general purpose; six brass stud type term solder dipped; two rows of term 1" c to c; three term in ea row spaced 0.531" and 0.203" c to c; lam glass cloth, silicone resin board; $1\frac{1}{4}$ " lg x $\frac{1}{8}$ " wd x $\frac{1}{16}$ " thk; one $\frac{1}{4}$ " lg x $\frac{1}{8}$ " wd mtg slot in ea end; marked C-819, C-820; RCA part/dwg A-8820931-502
E-804	Shop Manufacture	Supports Resistors and Capacitors	BOARD, TERMINAL: general purpose; five brass stud type term solder dipped; irregularly spaced; lam glass cloth, silicone resin board; $1\frac{1}{2}$ " lg x $\frac{1}{16}$ " wd x $\frac{1}{16}$ " thk; two mtg holes 0.147" diam $\frac{1}{16}$ " c to c; marked R-805; RCA part/dwg A-8820935-502
E-805	Shop Manufacture	Wiring Connection to Chassis	BOARD, TERMINAL: general purpose; six brass stud type term solder dipped; two rows $\frac{1}{4}$ " c to c; three term in ea row spaced $\frac{3}{16}$ " c to c; lam glass cloth, silicone resin board; $\frac{1}{16}$ " lg x $\frac{1}{8}$ " wd x $\frac{1}{16}$ " thk; one integral "L" shape mtg bkt w/ two #4-40 clinch nuts on 0.437" ctr; marked C-817, C-818; R-804; RCA part/dwg A-8820950-502
E-806	Shop Manufacture	Wiring Connection to Chassis	Not Used
E-807	Shop Manufacture	Wiring Connection to Chassis	Same as E-701
E-808	Shop Manufacture	Wiring Connection to Chassis	Same as E-701
E-809	Shop Manufacture	Supports Y-801	Same as E-708
E-810 thru E-900	Shop Manufacture	Supports R-805 and Wiring	Not Used
E-901	Shop Manufacture	Supports Resistors and Capacitors	Same as E-701
E-902	Shop Manufacture	Supports Wiring	Same as E-702

CONTRACT NOber-52014

TABLE 8-4. TABLE OF REPLACEABLE PARTS—Continued
RADIO RECEIVING SETS AN/SRR-11, AN/SRR-12, AN/SRR-13, AN/SRR-13A

REF. SYMBOL	STOCK NUMBERS SIGNAL CORPS STANDARD NAVY AIR FORCE	NAME OF PART AND DESCRIPTION	LOCATING FUNCTION
E-903	Shop Manufacture	BOARD, TERMINAL: general purpose; six brass stud type term solder dipped; two rows of term, 1" c to c, three term in ea row spaced 0.531" and 0.203" c to c; lam glass cloth, silicone resin board; 1 1/4" lg x 1/2" wd x 1/4" thk; one 1/4" lg x 1/4" wd mtg slot in ea end; marked C-917, C-918; RCA part/dwg A-8820931-503	Supports Capacitors
E-904	Shop Manufacture	BOARD, TERMINAL: general purpose; five brass stud type term solder dipped; irregularly spaced; lam glass cloth, silicone resin board; 1 1/2" lg x 1/2" wd x 1/4" thk; two mtg holes 0.147" diam 1/2" c to c; marked R-905; RCA part/dwg A-8820935-503	Supports R-905 and Wiring
E-905	Shop Manufacture	BOARD, TERMINAL: general purpose; six brass stud type term solder dipped; two rows 1 1/2" c to c, three term in ea row spaced 1/2" c to c; lam glass cloth, silicone resin board; 1 1/2" lg x 1/2" wd x 1/4" thk; one integral "L" shape mtg bkt w/ two #4-40 clinch nuts one 0.437" ctrs; marked C-916, R-904; RCA part/dwg A-8820950-503	Supports Resistors and Capacitors
E-906		Not Used	
E-907		Same as E-701	Wiring Connection to Chassis
E-908		Same as E-701	Wiring Connection to Chassis
E-909		Same as E-708	Secures Y-901 in Socket
E-910		Not Used	
E-1000			
E-1001	Shop Manufacture	BOARD, TERMINAL: general purpose; nine large stud type term, five small stud type term; three adj link on rear of large term; term irregularly spaced; lam phenolic board; 1/4" thk, LTS-E-4 in JAN-P-13; 1 1/2" lg x 1/2" wd x 1/4" thk o/a approx; two 0.147" diam mtg holes 1 1/4" c to c; RCA part/dwg A-8834048-501	Supports O-1001, O-1002, O-1003
E-1002	Shop Manufacture	BOARD, TERMINAL: general purpose; five stud type term; irregularly spaced; lam glass cloth, silicone resin board; 1 1/2" lg x 1/2" wd x 1/4" thk o/a approx; mts by two #4-40 quintlock nuts on 1.25" mtg/c; marked C-1065, R-1030, R-1005, C-1030; one corner beveled; RCA part/dwg A-8834049-502	Supports Resistors and Capacitors
E-1003	Shop Manufacture	BOARD, TERMINAL: general purpose; five stud type term; irregularly spaced; lam glass cloth, silicone resin board; 1 1/2" lg x 1/2" wd x 1/4" thk o/a approx; mts by two #4-40 quintlock nuts on 1.25" mtg/c; marked C-1066, R-1031; one corner beveled; RCA part/dwg A-8834049-503	Supports Resistors and Capacitors
E-1004	Shop Manufacture	BOARD, TERMINAL: general purpose; four brass stud type term solder dipped; term on 0.812" x 1/2" ctrs; lam phenolic board; 1 1/2" lg x 1/2" wd x 1/4" thk o/a; two #2-56 tapped mtg holes 0.812" c to c; RCA part/dwg A-8833243-501; p/o Z-1005. Not used in AN/SRR-13A	Connections for Z-1005
E-1005		Same as E-1004; p/o Z-1007. Not used in AN/SRR-13A	Connections for Z-1007
E-1006		Same as E-1004; p/o Z-1011	Connections for Z-1011
E-1007	Shop Manufacture	BOARD, TERMINAL: general purpose; two feedthru and five single end stud type term solder dipped; irregularly spaced; lam glass cloth, silicone resin board; 1 1/2" lg x 1/2" wd x 1/4" thk o/a; three 0.136" diam mtg holes irregularly spaced; rectangular shape; RCA part/dwg A-8848145-501; p/o Z-1009	Connections for Z-1009
E-1008		Not Used	
E-1009	Shop Manufacture	TERMINAL, STUD: soldered connections; brass; hot soldered dipped; 0.490" lg x 0.125" diam o/a; mts into 0.093" diam hole in panel and swaged into place; has a 0.040" diam thru hole to accommodate wire thru chassis; Hugh H. Eby, Inc. Type #9774-1AK; RCA part/dwg B-468057-1	Supports Wiring
E-1010		Same as E-1009	Supports Wiring
E-1011	Shop Manufacture	BOARD, TERMINAL: general purpose; binding post strip; five feedthru and two single end ins solder lug post type term; feedthru term spaced 1/4" c to c, single end term spaced 1/4" c to c; brass board; 2 1/2" lg x 1 1/2" wd x 1/4" h; two #2-56 tapped mtg holes on 1.625" mtg/c; marked w/ C-1060, C-1061, C-1062, C-1063; RCA part/dwg B-462142-501	Supports Capacitors
E-1012	Low Failure Item— if required requisition from ESO referencing NavShips 900,180A	TERMINAL, STUD: soldered connections; brass; hot tin dip finish; 0.342" lg x 0.125" diam o/a; mts by 0.093" diam x 0.145" lg ctr portion, double ended; RCA part/dwg B-468057-7	Supports Wiring
E-1013		Same as E-1009	Supports Wiring

Part Number	Description	Notes	Mounting/Connection
E-1014	Shop Manufacture		Mounts Resistors and Capacitors in 2nd IF
E-1015	N17-T-26623-4296	BOARD, TERMINAL: three rows of term holes; first row seven term spaced $\frac{1}{4}$ " apart, second row two term spaced $\frac{1}{2}$ " apart, third row three term spaced $\frac{1}{4}$ " apart, fourth term spaced $\frac{1}{2}$ " from other three; rows spaced $\frac{1}{2}$ " apart; lam glass cloth, silicone resin board; $2\frac{1}{2}$ " lg x $1\frac{1}{4}$ " wd x $\frac{1}{8}$ " thk; four 0.070" diam mtg holes on 1.906" x 0.312" mtg/c; marked w/ R-1032, C-1001, R-1001 and C-1053; RCA part/dwg B-465816-501	Wiring Connection to Chassis
E-1016		TERMINAL, LUG: round tongue end type; copper; hot solder dipped, free from lumps; #15 AWG wire accommodated; $\frac{1}{4}$ " lg x $\frac{1}{8}$ " wd x $\frac{1}{4}$ " thk o/s; soldered wire connection; one 0.120" diam mtg hole one end and one $\frac{1}{4}$ " diam hole other end to accommodate wire; shakeproof; F. R. Zierick Co. Cat #75; RCA part/dwg A-78534-1	Wiring Connection to Chassis
E-1017		Same as E-1015	Wiring Connection to Chassis
E-1018		Same as E-1015	Wiring Connection to Chassis
E-1019	Shop Manufacture	INSULATOR, PLATE; rectangular shape; coated glass fabric (DuPont tetrafluoroethylene #410); $1\frac{1}{2}$ " lg x $\frac{1}{4}$ " wd x 0.010" thk o/s; two 0.102" diam mtg holes spaced $\frac{1}{8}$ " c to c centrally located; RCA part/dwg A-8813771-1. Not used in AN/SRR-13A	Insulates Wiring in Z-1005
E-1020		Same as E-1019. Not used in AN/SRR-13A.	Insulates Wiring in Z-1007
E-1021		Same as E-1019	Insulates Wiring in Z-1011
E-1022		Not Used	
E-1023		Same as E-1004; p/o Z-1017. Used in AN/SRR-13A only	Connections for Z-1017
E-1024		Same as E-1004; p/o Z-1018. Used in AN/SRR-13A only	Connections for Z-1018
E-1025		Same as E-1019; p/o E-1023. Used in AN/SRR-13A only	Insulates Wiring in Z-1017
E-1026		Same as E-1019; p/o E-1024. Used in AN/SRR-13A only	Insulates Wiring in Z-1018
E-1027		Not Used	
E-1100			
E-1101	Procured on demand by nearest Naval Shore Supply Activity	BOARD, TERMINAL: general purpose; 18 brass, silver pl. stud term; irregularly spaced; lam phenolic board; $3\frac{1}{2}$ " lg x $1\frac{1}{2}$ " wd x $\frac{1}{8}$ " thk o/s; two 0.156" diam mtg holes on $3\frac{1}{4}$ " mtg/c; wax impr; RCA part/dwg A-8882397-501	Supports Resistors and Capacitors
E-1102	Procured on demand by nearest Naval Shore Supply Activity	TERMINAL, LUG: eye type; $\frac{1}{4}$ " thk copper, hot solder dipped; #14 B & S max stranded wire accommodated at 90 deg; $\frac{1}{4}$ " lg x $\frac{1}{8}$ " wd; solder connects to wire; 0.120" diam mtg hole; Zierick Cat. #75; RCA part/dwg K-78554-7	Wiring Connection to Chassis
E-1103	Shop Manufacture	TERMINAL, LUG: ring type; copper, hot solder dipped; accommodates #15 AWG wire; $\frac{1}{4}$ " lg x $\frac{1}{8}$ " OD ring; 0.144" diam stud hole, $\frac{1}{4}$ " thk; solder connects to wire; RCA part/dwg K-79534-3	Wiring Connection to Chassis
E-1104		Same as E-1102	Wiring Connection to Chassis
E-1105	Shop Manufacture	INSULATOR, PLATE: rectangular shape; lam glass cloth, silicone resin; $3\frac{1}{2}$ " lg x $1\frac{1}{4}$ " wd x 0.015" thk; two 0.156" diam mtg holes $3\frac{1}{4}$ " c to c; one rectangular shaped hole $1\frac{1}{4}$ " lg x $\frac{1}{4}$ " wd centrally located $\frac{1}{4}$ " from one end, and one 0.406" diam hole $\frac{1}{8}$ " from other end and $\frac{1}{8}$ " off centerline of mtg holes; RCA part/dwg A-8822081-1	Grounding Terminal
E-1106 thru E-1200		Not Used	
E-1201	Shop Manufacture	BOARD, TERMINAL: general purpose; eight stud type term; irregularly spaced in lines $\frac{1}{8}$ " from edge at one side and both ends, three pairs $\frac{1}{4}$ " c to c, other two in corners; glass cloth, silicone resin board $\frac{1}{4}$ " thk; $1\frac{1}{2}$ " lg x $1\frac{1}{4}$ " wd x $\frac{1}{4}$ " d o/s; two #4-40 swaged mtg nuts on $1\frac{1}{4}$ " mtg/c; mark in accordance w/ RCA part/dwg A-8827783-3; in $\frac{1}{8}$ " high black synthetic standard characters; RCA part/dwg A-8834702-503	Supports Resistors and Capacitors
E-1202		Same as E-1015	Wiring Connection to Chassis
E-1203		Same as E-1015	Wiring Connection to Chassis
E-1204 thru E-1301		Not Used	
E-1302	N17-T-26653-4296	TERMINAL, LUG: ring type; brass, tin dipped; for #9 AWG on one end and #12 AWG on other end; $\frac{1}{8}$ " lg x $\frac{1}{4}$ " wd x 0.018" thk; solder connects to wire; Shakeproof Cat. #2522-4; RCA part/dwg K-67592-2	Wiring Connection to Chassis
E-1303		Same as E-324	Wiring Connection to Chassis

CONTRACT NObar-52014

TABLE 8-4. TABLE OF REPLACEABLE PARTS—Continued
RADIO RECEIVING SETS AN/SRR-11, AN/SRR-12, AN/SRR-13, AN/SRR-13A

REF. SYMBOL	STOCK NUMBERS SIGNAL CORPS STANDARD NAVY AIR FORCE	NAME OF PART AND DESCRIPTION	LOCATING FUNCTION
E-1304	Shop Manufacture	BOARD, TERMINAL: seven solder lug term; irregularly spaced; lam glass cloth, silicone resin board; $1\frac{1}{2}$ " lg x $1\frac{1}{4}$ " wd x $1\frac{1}{4}$ " thk; two #4-40 swaged mtg nuts $1\frac{1}{2}$ " c to c; mark in accordance w/ RCA part/dwg R-1301, C-1304, C-1306; RCA part/dwg B-464087-501	Supports Resistors and Capacitors
E-1305 thru E-1400		Not Used	
E-1401	Shop Manufacture	BOARD, TERMINAL: eight stud term; irregularly spaced; lam glass cloth, silicone resin board; $1\frac{1}{2}$ " lg x $1\frac{1}{4}$ " wd x $1\frac{1}{4}$ " thk; two #4-40 swaged mtg nuts $1\frac{1}{2}$ " c to c; mark in accordance w/ RCA part/dwg A-8827788-1; $\frac{1}{2}$ " characters in black R-1402, R-1408, C-1405, C-1407; natural color board; RCA part/dwg A-8834702-502	Supports Resistors and Capacitors
E-1402		Same as E-1015	Wiring Connection to Chassis
E-1403		Same as E-1015	Wiring Connection to Chassis
E-1404 thru E-1500		Not Used	
E-1501	Shop Manufacture	BOARD, TERMINAL: general purpose; eight stud type term; irregularly spaced; lam glass cloth, silicone resin board; $1\frac{1}{2}$ " lg x $1\frac{1}{4}$ " wd x $1\frac{1}{4}$ " thk; two #4-40 swaged mtg nuts on $1\frac{1}{2}$ " mtg/c; RCA part/dwg A-8834702-501	Supports Resistors and Capacitors
E-1502		Same as E-1015	Wiring Connection to Chassis
E-1503		Same as E-1015	Wiring Connection to Chassis
E-1504 thru E-1600		Not Used	
E-1601	Shop Manufacture	BOARD, TERMINAL: general purpose; four silver pl brass stud type term; term in diamond pattern on $\frac{1}{2}$ " x $\frac{1}{4}$ " ctrs; lam glass cloth, silicone resin board; $2\frac{1}{2}$ " lg x $1\frac{1}{4}$ " wd x $\frac{1}{4}$ " thk o/a approx; two 0.147" diam mtg holes on $1\frac{1}{4}$ " mtg/c; includes four #2-36 Phillips RH screws and one adj link on reverse side; marked w/ 105 V, 115 V, 125 V and 10910; RCA part/dwg A-8835634-501	Supports Primary Top Connections from T-1601
E-1602		Same as E-255	Supports Wiring
E-1603		Same as E-255	Supports Wiring
E-1604	Shop Manufacture	STUD: c/o silver pl brass post, nickel pl brass screw, silver pl brass bkt, and bronze lockwasher; rectangular shape; 0.8137 " x 0.26 " wd x $\frac{1}{4}$ " d o/a; one tapped mtg hole #6-32 thd x 0.156 " lg; post has cut-out 0.156 " lg x 0.169 " d, 0.250 " from top end; RCA part/dwg A-8812277-501	Wiring Connection to Chassis
E-1605	Procured on demand by nearest Naval Shore Supply Activity	TERMINAL, LUG: ring type; brass; tin dipped; for #14 AWG wire, max stranded accomm; bent at 90 deg angle; $\frac{3}{4}$ " lg x $\frac{1}{4}$ " wd x 0.18 " thk o/a; has one 0.150 " diam mtg hole in one end and one 0.078 " diam hole for wire in other end; solder connects to wire; Shakeproof Cat #2585-06-02; RCA part/dwg K-67592-21	Wiring Connection to Chassis
E-1606	Shop Manufacture	CHASSIS: for AC power supply; aluminum chassis, synthetic satin black finish except top and inside; $11\frac{1}{2}$ " lg x $4\frac{1}{2}$ " wd x $2\frac{1}{16}$ " approx o/a; four mtg screws #8-32 thd x $\frac{1}{4}$ " lg on $10\frac{1}{2}$ " x 3.0 " mtg/c retained in four bushings, two ea riveted to L-shaped brackets welded to chassis; top exterior marked C-1601 and C-1602; top interior marked J-1601, X-1601, Y-1602, L-1601, T-1601, E-1607, E-1603, E-1608, R-1602; one side interior marked E-1605, C-1603, E-1602, E-1604, 5644, V-1603, R-1603; other side marked R-1604; one end interior marked E-1601; incl 56 holes of various diam; two bkt terminals welded to one end interior and one shield mount riveted to one side exterior; RCA part/dwg T-628796-501	Supports V-1603
E-1607		Same as E-1604	Binding Post for Connection to V-1603
E-1608		Same as E-1605	Wiring Connection to Chassis
E-1609		Same as E-1605	Wiring Connection to Chassis
E-1610 thru E-1700		Not Used	

E-1701	N17-C-945001-202	Supports Cabling to J-1705, J-1708
E-1702	N17-S-250051-154	Supports Cabling to J-1707
E-1703		Wiring Connection to Chassis
E-1704		Wiring Connection to Chassis
E-1705		Assists in Wiring J-1709
E-1706	Shop Manufacture	Assists in Wiring J-1709
E-1707		Wiring Connection to Chassis
E-1708		Adapts Coaxial Cable RG-122/U to J-1709
E-1709	Procured on demand by nearest Naval Shore Supply Activity	Adapts Coaxial Cable RG-122/U to J-1709
E-1710	Shop Manufacture	Supports Cabling to K-1701 and Grounds Shield of Coaxial Cable
E-1711		Wiring Connection to Chassis
E-1712 thru E-1714		Not Used
E-1715		Same as E-1605
E-1716 thru E-1800		Same as E-1605
E-1801		Same as E-1701
E-1802		Same as E-1702
E-1803		Same as E-1605
E-1804		Same as E-1605
E-1805	N17-C-945001-292	Supports Cabling to J-1805, J-1806
E-1806		Supports Cabling to J-1807
E-1807		Wiring Connection to Chassis
E-1808	Shop Manufacture	Wiring Connection to Chassis
E-1809		Assists in Wiring J-1809
E-1810		Assists in Wiring J-1809
E-1811		Assists in Wiring J-1809
E-1812		Assists in Wiring J-1804
E-1813		Assists in Wiring J-1809
E-1814 thru E-1816		Assists in Wiring J-1809
E-1817		Assists in Wiring J-1804
		Wiring Connection to Chassis
		Adapts Coaxial Cable RG-122/U to J-1809
		Adapts Coaxial Cable RG-122/U to J-1809
		Supports Cabling of K-1801 and Grounds Shield of Coaxial Cable
		Wiring Connection to Chassis
		Wiring Connection to Chassis

COVER: AN type MX-195/U; holds cable; brass; Army spec 57-160 annealed; silver pl; 0.875" lg x 0.687" sq flange; four 0.1094" diam mtg holes on 0.500" x 0.500" mtg/c; holds cable up to 0.219" max diam; weather proof, non-constant impedance, American Phenolic Corp.; Navy spec RE49F244; RCA part/dwg P-719230-3

SHELL, ELECTRICAL CONNECTOR: Navy type C-49193; brass, silver pl; cylindrical w/ sq flange; 1" lg x 1" wd x 3/4" h o/a approx; four mtg holes in flange 0.125" diam on 0.719" mtg/c; marked w/ Navy type P prefixed by mtr prefix ltr; four holes 0.125" diam equally spaced in top of cover and solder dipped to 1/4" minimum, 0.345" diam cable opening; RCA part/dwg P-253223-8

Same as E-1605

Same as E-1605

Same as E-281

ADAPTER, SHAFT: for connecting 0.234" dia shaft to 0.345" ID hole; brass, hot solder dip; hollow tube shape w/ centrally located collar; 1/2" lg x 1/4" OD o/a; has 0.234" ID ctr hole, one end 0.281" OD w/ four equally spaced slots, has 3/8" OD x 1/2" lg shoulder spaced 3/8" from slotted end, other end 0.345" OD; RCA part/dwg A-8813758-2

Same as E-1605

Same as E-282

INSULATOR BUSHING: tubular; lam phenolic tubing (Fed spec HH-P-256 Type 1 Grade XX); 3/8" lg; voltage not rated; 0.187" OD x 0.105" ID; ends chamfered 45 deg; RCA part/dwg A-8817118-2

CLAMP, ELECTRICAL: coaxial lead hold-down; brass strip 1/2" hard; hot solder dip finish; two bolts employed; 1" lg x 1/2" wd x 1/4" h o/a approx; 0.032" thk strip; will hold 1/2" x 1/4" x 1/4" rad edge material; "U" shape; two 0.147" diam mtg holes 3/4" c to c; RCA part/dwg A-8824108-1

Same as E-1605

Not Used

Same as E-1605

Not Used

Same as E-1701

Same as E-1702

Same as E-1605

Same as E-1605

COVER: Navy type 49208; for connector; brass, silver pl; conical shaped w/ sq flange; 1 1/4" sq x 3/4" h o/a; four 0.120" diam mtg holes on 3/4" x 3/4" mtg/c; Amphphenol 83-24; RCA part/dwg P-279000-3

Same as E-281

Same as E-1706

ADAPTER, WIRE: adapts wire to hood; solder tinned brass; round shape; 3/8" OD x 1/4" o/a; smaller end 0.3105" lg x 0.460" ID x 0.512" h o/a max OD enlarged to 3/8" diam x 0.028" lg max; larger end, partially enclosed, has cone shaped hole beveled to 0.300" lg x 0.156" wd and turned in flange 0.300" lg x 0.156" wd x 0.020" d; RCA part/dwg A-8813756-1

Same as E-1605

Same as E-282

Same as E-1709

Same as E-1710

Same as E-1605

Not Used

Same as E-1605

TABLE 8-4. TABLE OF REPLACEABLE PARTS—Continued
RADIO RECEIVING SETS AN/SRR-11, AN/SRR-12, AN/SRR-13, AN/SRR-13A

REF. SYMBOL	STOCK NUMBERS SIGNAL CORPS STANDARD NAVY AIR FORCE	NAME OF PART AND DESCRIPTION	LOCATING FUNCTION
E-1818 thru E-3600		Not Used	
E-3601		Same as E-273	Knobs for "Dim." "Cal. Adj." and "Lamps"
E-3602		Same as E-274	Knob for Band Switch
E-3603	Low Failure Item— if required, requisition from ESO, referencing NavShips 900.180A	KNOB: round shape; black bakelite; designed to accommodate round shape shaft; $\frac{1}{8}$ " diam x 0.562" d; set screw fastening; brass insert; w/o markings; $\frac{3}{8}$ " lg x $1\frac{1}{2}$ " diam o/a; has finger indentations; one edge has raised boss "pointers"; RCA part/dwg A-8864599-1	Knob for Tuning Control
E-3604	Procured on demand by nearest Naval Shore Supply Activity	TERMINAL, LUG: spade type; brass, hot solder dipped; for #12 AWG wire; $\frac{3}{4}$ " lg x $1\frac{1}{2}$ " wd x $\frac{1}{4}$ " h; $\frac{3}{8}$ " lg x 0.143" wd slot; solder connects to wire; w/ insulation clamping ears for $\frac{1}{8}$ " diam insulation; RCA part/dwg K-61580-1	Connects Dial Assembly to Frame
E-3605		Same as E-3604	Connects Dial Assembly to Frame
E-3606		Same as E-283	Knob for Lamp Shift
E-3607 thru E-3700		Not Used	
E-3701		Same as E-273	Knobs for "Dim." "Cal. Adj." and "Lamps"
E-3702		Same as E-274	Knob for Band Switch
E-3703		Same as E-3603	Knob for Tuning Control
E-3704		Same as E-3604	Connects Dial Assembly to Frame
E-3705		Same as E-3604	Connects Dial Assembly to Frame
E-3706		Same as E-283	Knob for Lamp Shift
E-3707 thru E-3800		Not Used	
E-3801		Same as E-273	Knobs for "Dim." "Cal. Adj." and "Lamps"
E-3802		Same as E-274	Knob for Band Switch
E-3803		Same as E-3603	Knob for Tuning Control
E-3804		Same as E-3604	Connects Dial Assembly to Frame
E-3805		Same as E-3604	Connects Dial Assembly to Frame
E-3806		Same as E-283	Knob for Lamp Shift
F-1601	N17-F-14310-380	FUSE, CARTRIDGE: 1 amp, 125 v; time delay 135% for 0.1 hr and 200% for 60 sec max, 5 sec min; two $\frac{1}{8}$ " diam ferrule type term; glass body; indicating; $1\frac{1}{2}$ " lg x $\frac{1}{2}$ " diam o/a; Littelfuse Inc. Cat #313001 Type 3AG; RCA part/dwg K-896698-4. Cut in at Serial No. 686, AN/SRR-13 and on all AN/SRR-13A	Primary Power Fuse
F-1602		Same as F-1601	Primary Power Fuse
H-101	Shop Manufacture	BUSHING; spacer; plastic; $\frac{1}{4}$ " lg x $\frac{1}{8}$ " diam o/a; 0.120" ID; $\frac{1}{4}$ " thk x 0.189" diam hub; RCA part/dwg A-8824776-2	Spacer for E-102
H-102	Shop Manufacture	BUSHING; plastic (Monsanto Chemical "Cerex 250"); male; $\frac{1}{4}$ " lg x $\frac{1}{4}$ " OD; 0.120" ID; $\frac{1}{4}$ " thk shoulder; 0.189" OD top; $\frac{1}{4}$ " OD bottom; bottom undercut 0.140" wd x $\frac{1}{16}$ " d; RCA part/dwg A-8824106-1	Spacer for E-102
H-103	Shop Manufacture	BUSHING; brass rod, white nickel finish; both male and female; $\frac{1}{4}$ " OD, one side flattened to 0.39875" across flats, $\frac{1}{4}$ " thk, 0.120" diam of hole, $\frac{1}{4}$ " lg x 0.189" diam shoulder one end; RCA part/dwg A-8822075-1	Spacer for E-101

H-104	Shop Manufacture	BUSHING: spacer; ceramic; $\frac{1}{8}$ " lg x $\frac{1}{8}$ " diam o/s; 0.120" ID; $\frac{1}{8}$ " thk x 0.189" diam hub; RCA part/dwg A-8834776-3	Spacer for E-101
H-105	Shop Manufacture	PLATE, CLAMP: brass, white nickel finish; rectangular; $\frac{1}{8}$ " lg x $\frac{1}{8}$ " wd x 0.0641" thk; two #2-56 tapped holes evenly spaced on longitudinal centerline 0.375" c to c; RCA part/dwg K-90482-8	Mounting Plate for S-102
H-106 thru H-125		Not Used	
H-126		Same as H-104	Spacer for E-126
H-127		Same as H-102	Spacer for E-127
H-128		Same as H-103	Spacer for E-126
H-129		Same as H-101	Spacer for E-127
H-130 thru H-150		Not Used	
H-151		Same as H-104	Spacer for E-151
H-152		Same as H-101	Spacer for E-152
H-153		Same as H-102	Spacer for E-151
H-154		Same as H-103	Spacer for E-152
H-155 thru H-200		Not Used	
H-201		Same as H-101	Spacer for E-202
H-202		Same as H-102	Spacer for E-202
H-203		Same as H-103	Spacer for E-201
H-204		Same as H-104	Spacer for E-201
H-205 thru H-250		Not Used	
H-251	Procured on demand by nearest Naval Shore Supply Activity	RING, RETAINER, general purpose snap type retainer; SAE 1065 to 1090; steel, cad pl; open ring shape; groove diam 0.095", shaft diam 0.125", 0.120" OD x 0.094" ID, 0.015" thk; mts by application; Walde-Kohinoor Co. Part #5133-12-S-MF; RCA part/dwg A-93605-108	Secures O-264, O-265
H-252 thru H-254		Not Used	
H-255	Procured on demand by nearest Naval Shore Supply Activity	SCREW, MACHINE: slot drive; FH; SS; $\frac{1}{4}$ -20; 0.516" lg; 0.321" lg thd portion; 0.093" thk x $\frac{1}{8}$ " diam head; 0.375" diam x 0.102" thk shoulder; ctr of head and thd portion offset 0.032"; drive slot in line w/ ctr, head indexed w/ red paint to indicate position of eccentric; RCA part/dwg A-8819444-1	Secures O-267, O-268
H-256	Shop Manufacture	COLLAR, SPACING: general purpose use on AC power supply; brass; female; 0.140" lg x $\frac{11}{16}$ " OD x 0.144" ID; RCA part/dwg K-58294-146	With A-255, Mounts J-263
H-257		BUSHING: p/o receptacle mtg hardware; brass, nickel pl; $\frac{1}{2}$ " OD x 0.116" ID x $\frac{1}{4}$ " lg o/s; 0.156" OD hub extends 0.070" beyond face of bushing on one side; RCA part/dwg K-835783-32	Assists in Mounting Connectors
H-258	Procured on demand by nearest Naval Shore Supply Activity	WASHER, SPRING: phosphor bronze, spring temper, nickel pl; round, 0.260" ID x $\frac{1}{4}$ " OD x $\frac{1}{8}$ " thk, matl 0.010" thk; RCA part/dwg K-69129-101	Grounding for C-251
H-259		Not Used	
H-260	Shop Manufacture	EXTRACTOR, LAMP: molded synthetic rubber; round tapered plug shape; $2\frac{1}{4}$ " lg x $\frac{11}{16}$ " diam at one end, $\frac{11}{16}$ " diam at other end; $\frac{1}{8}$ " max diam x $\frac{1}{4}$ " lg tapered cup in large end, $\frac{1}{8}$ " max diam x $\frac{1}{4}$ " d tapered cup in small end; RCA part/dwg A-8832396-1	Install and Remove Dial Lamps
H-261	GF5120-242-7410	WRENCH: double end hex type; $\frac{1}{4}$ " across flats; $2\frac{1}{4}$ " lg x $\frac{11}{16}$ " wd x $\frac{1}{8}$ " thk o/s; steel, cad pl finish; 90 deg offset; "L" shaped handle, hex rod; for #10 and #12 set screws; Allen Mfg. Code #832; RCA part/dwg K-828505-20	Repair and Maintenance Use

TABLE 8-4. TABLE OF REPLACEABLE PARTS—Continued
RADIO RECEIVING SETS AN/SRR-11, AN/SRR-12, AN/SRR-13, AN/SRR-13A

REF SYMBOL	STOCK NUMBERS SIGNAL CORPS STANDARD NAVY AIR FORCE	NAME OF PART AND DESCRIPTION	LOCATING FUNCTION
H-262	GF5120-224-2504	WRENCH: double end hex type; 3/4" max wd across flats; 2 3/4" lg x 2 1/2" wd x 3/4" thk o/a; steel, cad pl finish; 90 deg offset; "L" shaped handle hex rod; for #8 Allen set screw and #4 cap screw; Allen Mfg Code #564; RCA part/dwg K-828505-31	Repair and Maintenance Use
H-263	GF5120-198-5398	WRENCH: double end hex type; 1/2" max across flats; 1 1/2" lg x 2 1/2" wd x 1/2" d o/a; steel, cad pl finish; 90 deg offset; "L" shaped handle, hex rod; for #6 set screws and #2 cap screw; Allen Mfg short series; RCA part/dwg K-828505-32	Repair and Maintenance Use
H-264	GM5120-198-5401	WRENCH: double end hex type; 0.050" max across flats; 1 1/2" lg x 2 1/2" wd x 0.050" thk o/a; steel, cad pl finish; 90 deg offset; "L" shaped handle hex rod; for #4 Allen set screw; RCA part/dwg K-828505-33	Repair and Maintenance Use
H-265	N16-T-750298-393	TOOL, ALIGNMENT: fiber; 7" lg x 1/4" diam o/a; screwdriver on one end 1/4" wd x 0.025" thk; screwdriver opposite end 0.125" wd x 0.015" thk; 0.198" x 1/4" lg under-cut located 5 1/4" from end; 2" x 0.198" under-cut on one end; moisture and fungus resistance; RCA part/dwg A-8825713-1	Alignment and Adjustment
H-266	N16-T-751254-406	TOOL, ALIGNMENT: lam phenolic tubing; 1.296" lg x 0.218" diam o/a; 0.046" h x 0.218" wd x 0.040" thk screwdriver one end; 1/4" lg x 0.198" diam under-cut located near one end; moisture and fungus resistant; RCA part/dwg A-8825734-1	Alignment and Adjustment
H-267		GROMMET: synthetic rubber; fits 1 1/4" diam hole; 3/4" diam ctr hole, groove width 1/8", 3/4" diam x 1/4" thk o/a; RCA part/dwg K-57421-3	Protects Wiring
H-268	Procured on demand by nearest Naval Shore Supply Activity	GROMMET: synthetic rubber; fits 1/4" diam hole; 1/4" diam ctr hole, 1/4" wd groove, 1/4" diam x 1/4" thk o/a; RCA part/dwg K-57421-25	Protects Wiring
H-269	Shop Manufacture	LATCH, FASTENER: CRS cad pl finish; rectangular shape base w/ thimble type keeper; 1 1/4" lg x 1/2" wd x 0.890" h o/a; three mtg holes, two #8-32 spaced 0.875" c to c, third hole 0.281" diam x 82 deg csk in line w/ first pair and spaced 0.562" away; keeper 0.187" diam x 0.054" lg to 1/4" diam tip; RCA part/dwg A-8836509-501	Latching Chassis in Cabinet
H-270	N16-S-470001-128	SLIDE, DRAWER: carbon steel, cad pl; carrying capacity 22 1/2 lbs; 21 1/4" lg x 4 1/4" h x 1 1/2" thk; to withstand 48 hr salt spray test, same as RCA part/dwg D-629837-2 except opposite hand; RCA part/dwg D-629837-1	Withdrawing Chassis from Cabinet
H-271	N16-S-470001-129	SLIDE, DRAWER: carbon steel, cad pl; carrying capacity 22 1/2 lbs; 21 1/4" lg x 4 1/4" h x 1 1/2" thk; to withstand 48 hr salt spray test, same as RCA part/dwg D-629837-1 except opposite hand; RCA part/dwg D-629837-2	Withdrawing Chassis from Cabinet
H-272	Shop Manufacture	POST, SPACING: brass rod, white nickel pl; cylindrical shape; 1/4" lg x 1/4" diam w/ 0.257" diam axial hole; mts by 0.257" diam axial hole; RCA part/dwg K-99638-142	Bearing Washer for O-258
H-273	Low Failure Item— If required requisition from ESO referencing NavShips 900,180A	RING, RETAINER: steel SAE 1085-1090, cad pl; cylindrical washer shape; 0.298" OD x 0.168" ID x 0.015" thk o/a; mts around 0.188" diam shaft and OD of ring snap fits into groove 0.175" diam; Walldes Kohinoor, Inc. Type 5000 series; RCA part/dwg B-458549-155	Secures O-266
H-274	Low Failure Item— If required requisition from ESO referencing NavShips 900,180A	WASHER, FLAT: phosphor bronze, nickel pl; round; 3/4" OD x 0.191" ID x 0.0201" thk; RCA part/dwg A-59218-128	Secures O-266
H-275 thru H-300		Not Used	
H-301		Same as H-101	Spacers for E-301 thru E-304
H-302		Same as H-102	Spacers for E-301 thru E-304
H-303		Same as H-104	Spacer for E-301 and E-304
H-304		Same as H-103	Spacer for E-301 and E-304
H-305 thru H-325		Not Used	
H-326		Same as H-101	Spacers for E-326, E-327

AN/SRR-11, AN/SRR-12,
AN/SRR-13, AN/SRR-13A
PARTS LIST

NAVSHIPS 91875(A)

Section 8
H-327 - H-502

H-327	Same as H-102	Spacers for E-326, E-327
H-328	Same as H-104	Spacer for E-326
H-329	Same as H-103	Spacer for E-326
H-330 thru H-350	Not Used	
H-351	Same as H-101	Spacers for E-351, E-352
H-352	Same as H-102	Spacers for E-351, E-352
H-353 thru H-400	Not Used	
H-401	Same as H-101	Spacers for E-401, E-402
H-402	Same as H-102	Spacers for E-401, E-402
H-403 thru H-450	Not Used	
H-451	Same as H-251	Secures O-464, O-465
H-452 thru H-454	Not Used	
H-455	Same as H-255	Secures O-467, O-468
H-456	Same as H-256	With A-455, Mounts J-463
H-457	Same as H-257	Assists in Mounting Connectors
H-458	Same as H-258	Grounding for C-451
H-459	Not Used	
H-460	Same as H-260	Install and Remove Dial Lamps
H-461	Same as H-261	Repair and Maintenance Use
H-462	Same as H-262	Repair and Maintenance Use
H-463	Same as H-263	Repair and Maintenance Use
H-464	Same as H-264	Repair and Maintenance Use
H-465	Same as H-265	Repair and Maintenance Use
H-466	Same as H-266	Alignment and Adjustment
H-467	Same as H-267	Alignment and Adjustment
H-468	Same as H-268	Protects Wiring
H-469	Same as H-269	Protects Wiring
H-470	Same as H-270	Latches Chassis in Cabinet
H-471	Same as H-271	Withdrawing Chassis from Cabinet
H-472	Same as H-272	Withdrawing Chassis from Cabinet
H-473	Same as H-273	Bearing Washer for O-457
H-474	Same as H-274	Secures O-465
H-475 thru H-500	Not Used	Secures O-465
H-501	Same as H-101	Spacers for E-501 thru E-504
H-502	Same as H-102	Spacers for E-501 thru E-504

CHANGE 1

8-43

CONTRACT NObar-52014

TABLE 8-4. TABLE OF REPLACEABLE PARTS—Continued
RADIO RECEIVING SETS AN/SRR-11, AN/SRR-12, AN/SRR-13, AN/SRR-13A

REF. SYMBOL	STOCK NUMBERS SIGNAL CORPS STANDARD NAVY AIR FORCE	NAME OF PART AND DESCRIPTION	LOCATING FUNCTION
H-503 thru H-525	Not Used		
H-526	Same as H-101		Spacers for E-526, E-527
H-527	Same as H-102		Spacers for E-526, E-527
H-528 thru H-550	Not Used		
H-551	Same as H-101		Spacers for E-551, E-552
H-552	Same as H-102		Spacers for E-551, E-552
H-553 thru H-600	Not Used		
H-601	Same as H-101		Spacers for E-601, E-602
H-602	Same as H-102		Spacers for E-601, E-602
H-603 thru H-650	Not Used		
H-651	Same as H-251		Secures O-664, O-665
H-652 thru H-654	Not Used		
H-655	Same as H-255		Secures O-667, O-668
H-656	Same as H-256		With A-655, Mounts J-663
H-657	Same as H-257		Assists in Mounting Connectors
H-658	Same as H-258		Grounding for C-651
H-659	Not Used		
H-660	Same as H-260		To Install and Remove Dial Lamps
H-661	Same as H-261		Repair and Maintenance Use
H-662	Same as H-262		Repair and Maintenance Use
H-663	Same as H-263		Repair and Maintenance Use
H-664	Same as H-264		Repair and Maintenance Use
H-665	Same as H-265		Alignment and Adjustment
H-666	Same as H-266		Alignment and Adjustment
H-667	Same as H-267		Protects Wiring
H-668	Same as H-268		Protects Wiring
H-669	Same as H-269		Latching Chassis in Cabinet
H-670	Same as H-270		Withdrawing Chassis from Cabinet
H-671	Same as H-271		Withdrawing Chassis from Cabinet
H-672	Same as H-272		Bearing Washer for O-657

H-673	Same as H-273	Secures O-665
H-674	Same as H-274	Secures O-665
H-675	Procured on demand by nearest Naval Shore Supply Activity	Prevents Rotation, S-656
H-676 thru H-1300	Not Used	Protects Wiring
H-1301	Same as H-268	Secures O-3604
H-1302 thru H-3600	Not Used	Secures O-3603, O-3614, O-3618
H-3601	N17-R-651091-125	Secures O-3605
H-3602	Procured on demand by nearest Naval Shore Supply Activity	Stabilizes O-3614
H-3603	Procured on demand by nearest Naval Shore Supply Activity	Locks O-3614 in Position
H-3604	Procured on demand by nearest Naval Shore Supply Activity	Locking Screw for Calibration Adjustment
H-3605	Shop Manufacture	Secures O-3627
H-3606	Shop Manufacture	Bearing Between H-3607 and O-3627
H-3607	Procured on demand by nearest Naval Shore Supply Activity	Stabilizes O-3627
H-3608	Shop Manufacture	To Assemble O-3627
H-3609	Procured on demand by nearest Naval Shore Supply Activity	To Secure O-3601, O-3615
H-3610	Shop Manufacture	Grounds Shaft of O-3616
H-3611	Procured on demand by nearest Naval Shore Supply Activity	Prevents Backlash of E-3603
H-3612	Procured on demand by nearest Naval Shore Supply Activity	Secures O-3704
H-3613 thru H-3615	Not Used	To Secure O-3703, O-3718, O-3714
H-3616	Shop Manufacture	To Secure O-3705
A-3617 thru H-3700	Not Used	
H-3701	Same as H-3601	
H-3702	Same as H-3602	
H-3703	Same as H-3603	

TABLE 8-4. TABLE OF REPLACEABLE PARTS—Continued
RADIO RECEIVING SETS AN/SRR-11, AN/SRR-12, AN/SRR-13, AN/SRR-13A

REF SYMBOL	STOCK NUMBERS SIGNAL CORPS STANDARD NAVY AIR FORCE	NAME OF PART AND DESCRIPTION	LOCATING FUNCTION
H-3704		Same as H-3604	To Stabilize O-3714
H-3705		Same as H-3605	Locks O-3714 in Position
H-3706		Same as H-3606	Locking Screw for Calibration Control
H-3707		Same as H-3607; p/o O-3708	To Secure O-3727
H-3708		Same as H-3608; p/o O-3708	Bearing between H-3707 and O-3727
H-3709		Same as H-3609; p/o O-3708	To Stabilize O-3727
H-3710		Same as H-3610; p/o O-3708	To Assemble O-3727
H-3711		Same as H-3611	To Secure O-3701, O-3715
H-3712		Same as H-3612	Grounds Shaft of O-3716
H-3713 thru H-3715		Not Used	
H-3716		Same as H-3616	Prevents Backlash of E-3703
H-3717 thru H-3800		Not Used	
H-3801		Same as H-3601	To Secure O-3804
H-3802		Same as H-3602	To Secure O-3803, O-3818, O-3814
H-3803		Same as H-3603	To Secure O-3805
H-3804		Same as H-3604	To Stabilize O-3814
H-3805		Same as H-3605	Locks O-3814 in Position
H-3806		Same as H-3606	Locks Calibration Control
H-3807		Same as H-3607; p/o O-3808	To Secure O-3727
H-3808		Same as H-3608; p/o O-3808	Bearing Between H-3807 and O-3727
H-3809		Same as H-3609; p/o O-3808	To Stabilize O-3627
H-3810		Same as H-3610; p/o O-3808	To Assemble O-3727
H-3811		Same as H-3611	To Secure O-3801, O-3815
H-3812		Same as H-3612	Grounds Shaft of O-3816
H-3813 thru H-3815		Not Used	
H-3816		Same as H-3616	Prevents Backlash of E-3803
I-101 thru I-250		Not Used	
I-251	GF6240-223-9100	LAMP, GLOW: 65 v AC, 90 v DC starting; bulb T-3-1/4 clear; 1 1/4" lg o/a; miniature bayonet base; neon type; burn any position; Mazda Type NE-51; RCA part/dwg K-872291-9	Indicates "Power On"
I-252 thru I-450		Not Used	
I-451		Same as I-251	Indicates "Power On"

AN/SRR-11, AN/SRR-12,
AN/SRR-13, AN/SRR-13A
PARTS LIST

NAVSHIPS 91875(A)

Section 8
I-452-J-251

I-452 thru I-650	Not Used		Indicates "Power On"
I-651	Same as I-251		
I-652 thru I-3600	Not Used		
I-3601	LAMP, INCANDESCENT; 6 to 8 v, 2.6 w, 2 cp; bulb G-4 1/2 clear; 1 1/8" lg o/a; miniature bayonet base; C-2R fil, 50 hrs average life; burn any position; Mazda Type 55 clear; RCA part/dwg K-61114-12. p/o O-3608	GF6240-112-5588	Projection Lamp "Norm"
I-3602	Same as I-3601; p/o O-3608		Projection Lamp "Spare"
I-3603 thru I-3700	Not Used		
I-3701	Same as I-3601; p/o O-3708		Projection Lamp "Norm"
I-3702	Same as I-3601; p/o O-3708		Projection Lamp "Spare"
I-3703 thru I-3800	Not Used		
I-3801	Same as I-3601; p/o O-3808		Projection Lamp "Norm"
I-3802	Same as I-3601; p/o O-3808		Projection Lamp "Spare"
J-101	CONNECTOR, RECEPTACLE; 11 round male cont, pol; straight type; 1 3/4" lg x 3/8" wd x 5 5/8" thk; 5 amp, 1000 v; rectangular, phenolic body; two #4-40 x 3/8" lg mtg studs on 1.140" mtg/c; cont silver or gold pl, term hot tin dipped; RCA part/dwg B-455061-11	N17-C-73572-8047	Plug-in Connector, Type I Antenna Unit
J-102	CONNECTOR, RECEPTACLE; four round female cont; straight type; 0.812" lg x 1 1/2" wd x 0.343" thk o/a approx; rectangular Teflon body; three 0.102" diam mtg holes spaced 3/4" between ctr; cont pordon raised 1/2" above mtg portion; RCA part/dwg A-8835626-1	N17-C-73185-2849	Receptacle for Z-101
J-103	CONNECTOR, RECEPTACLE; six small round female cont, two large round female cont; straight type; 1.500" lg x 3/8" wd x 1.125" h o/a approx; rectangular, molded plastic body; two #4-40 x 3/8" lg mtg studs on 1.156" mtg/c extend through body from two large cont; RCA part/dwg A-8834708-1	N17-C-73257-3744	Receptacle for Z-101
J-104 thru J-125	Not Used		
J-126	Same as J-101		Plug-in Connector for Type I RF Unit
J-127	CONNECTOR, RECEPTACLE; two round female cont; straight type; 1 1/8" lg x 1 1/2" wd x 1 1/2" thk o/a approx; rectangular, lexolite body; two 0.102" diam mtg holes on 1/2" mtg/c; cont portion raised 1/4"	N17-C-73126-3839	Receptacle for Z-126
J-128	Same as J-103		Receptacle for Z-126
J-129 thru J-150	Not Used		
J-151	Same as J-101		Plug-in Connector for Type I Mixer Unit
J-152	Same as J-127		Receptacle for Z-151
J-153	Same as J-103		Receptacle for Z-151
J-154 thru J-200	Not Used		
J-201	Same as J-101		Plug-in Connector for Type I Oscillator Unit
J-202	Same as J-127		Receptacle for Z-201
J-203	Same as J-103		Receptacle for Z-201
J-204 thru J-251	Not Used		

CHANGE 1

8-47

CONTRACT NObar-52014

TABLE 8-4. TABLE OF REPLACEABLE PARTS—Continued
RADIO RECEIVING SETS AN/SRR-11, AN/SRR-12, AN/SRR-13, AN/SRR-13A

REF. SYMBOL	STOCK NUMBERS SIGNAL CORPS STANDARD NAVY AIR FORCE	NAME OF PART AND DESCRIPTION	LOCATING FUNCTION
J-252	N17-C-73288-1712	CONNECTOR, RECEPTACLE: 11 round female cont, pol; straight type; 1 ³ / ₈ " lg x 3 ¹ / ₈ " wd x 3 ¹ / ₄ " thk o/a; 5 amp, 1000 v peak; rectangular phenolic body; two #4-40 x 1 ¹ / ₄ " lg mtg studs on 1.140" mtg/c; cont silver or gold pl, term hot tin dipped; RCA part/dwg B-455061-12	Receptacle for Type I Antenna Unit
J-253		Same as J-252	Receptacle for Type I RF Unit
J-254		Same as J-252	Receptacle for Type I Mixer Unit
J-255		Same as J-252	Receptacle for Type I Oscillator Unit
J-256	N17-C-73162-3774	CONNECTOR, RECEPTACLE: three round female cont, pol; straight type; 5 ¹ / ₄ " lg x 3 ¹ / ₈ " wd x 4 ¹ / ₄ " thk max o/a; 5 amp, 1000 v peak; rectangular phenolic body; two #4-40 x 1 ¹ / ₄ " lg mtg studs on 0.578" mtg/c; cont silver or gold pl, term hot tin dipped; RCA part/dwg B-455061-14	Receptacle for Type I 1st IF Unit (Input)
J-257	N17-C-73242-6015	CONNECTOR, RECEPTACLE: seven round female cont, pol; straight type; 1 ¹ / ₄ " lg x 3 ¹ / ₈ " wd x 3 ¹ / ₄ " thk o/a; 5 amp, 1000 v peak; rectangular phenolic body; two #4-40 x 1 ¹ / ₄ " lg mtg stud on 0.858" mtg/c; cont silver or gold pl, term hot tin dipped; RCA part/dwg B-455061-8	Receptacle for Type I 1st IF Unit
J-258		Same as J-256	Receptacle for Type I 2nd IF Unit (Input)
J-259	N17-C-73317-2180	CONNECTOR, RECEPTACLE: 18 round female cont, pol; straight type; 1 ¹ / ₈ " lg x 3 ¹ / ₈ " wd x 2 ¹ / ₂ " d o/a; 3 amp; rectangular plastic body; #4-40 x 3 ¹ / ₄ " lg mtg studs on 1" mtg/c on term side; term and cont identified by ltrs, cont silver pl; RSW; Winchester Electronics Co., Cat MRE188-G; RCA part/dwg B-449689-2	Receptacle for Type I 2nd IF Unit
J-260		Same as J-259	Receptacle for Type I Audio Unit
J-261		Same as J-257	Receptacle for Type I BFO Unit
J-262		Same as J-257	Receptacle for Type I Calibrator Unit
J-263	N17-C-73317-6429	CONNECTOR, RECEPTACLE: 18 round female cont, pol; straight type; 2 ¹ / ₈ " lg x 1 ³ / ₈ " wd x 1 ¹ / ₄ " d; 10 amp; rectangular plastic body; two #6-32 x 3 ¹ / ₈ " lg mtg studs on 2 ¹ / ₈ " mtg/c; term and cont identified by ltrs; Winchester Electronics Co., Cat #QRE188-2; RCA part/dwg M-146206-4	Receptacle for Type I Power Unit
J-264	N17-C-73591-1360	CONNECTOR, RECEPTACLE: 14 round male cont; straight type; 3 ³ / ₈ " lg x 1 ¹ / ₈ " wd x 1 ¹ / ₄ " thk; small cont 10 amp, medium cont 15 amp, large (coax) 10 amp; rectangular aluminum body; mica-filled phenolic insert; four 0.152" diam esk mtg holes on 2 ¹ / ₄ " x 1" mtg/c; coax term are 90 deg angular type; RCA part/dwg C-744589-3	Connector for Type I Main Chassis
J-265	For Replacement Use N17-J-39248-4418	JACK, TELEPHONE: two cond plug 0.253" diam; 1 ¹ / ₂ " lg x 1 ¹ / ₈ " wd x 4 ¹ / ₄ " h o/a approx; J1 cont arrange-ment; incl brass hex nut and one brass washer; RCA part/dwg A-8845654-2	Headphone Panel Jack
J-266		Same as J-265	Headphone Panel Jack
J-267 thru J-300		Not Used	
J-301		Same as J-101	Plug-in Connector for Type II Antenna Unit
J-302		Same as J-127	Receptacle for Z-301
J-303		Same as J-103	Receptacle for Z-301
J-304	N17-C-73459-9862	CONNECTOR, RECEPTACLE: three round male cont, pol; straight type; 5 ¹ / ₄ " lg x 3 ¹ / ₈ " wd x 3 ¹ / ₄ " thk; 5 amp, 1000 v; rectangular phenolic body; two #4-40 x 1 ¹ / ₄ " lg mtg studs on 0.578" mtg/c; cont silver or gold pl, term not tinned dipped; RCA part/dwg B-455061-13	Antenna Trimmer Connection, Type II Antenna Unit
J-305 thru J-325		Not Used	
J-326		Same as J-101	Plug-in Connector for Type II RF Unit
J-327		Same as J-127	Receptacle for Z-326
J-328		Same as J-103	Receptacle for Z-326

AN/SRR-11, AN/SRR-12,
AN/SRR-13, AN/SRR-13A
PARTS LIST

NAVSHIPS 91875(A)

Section 8
J-329-J-528

J-329 thru J-350	Not Used	Plug-in Connector for Type II Mixer Unit Receptacle for Z-351 Receptacle for Z-351
J-351	Same as J-101	
J-352	Same as J-127	
J-353	Same as J-103	
J-354 thru J-400	Not Used	
J-401	Same as J-101	Plug-in Connector for Type II Oscillator Unit Receptacle for Z-401 Receptacle for Z-401
J-402	Same as J-127	
J-403	Same as J-103	
J-404 thru J-450	Not Used	
J-451	Same as J-256	Receptacle for Type II Antenna Trimmer Connection
J-452	Same as J-252	Receptacle for Type II Antenna Unit
J-453	Same as J-252	Receptacle for Type II RF Unit
J-454	Same as J-252	Receptacle for Type II Mixer Unit
J-455	Same as J-252	Receptacle for Type II Oscillator Unit
J-456	Same as J-256	Receptacle for Type II 1st IF Unit (Input)
J-457	Same as J-257	Receptacle for Type II 1st IF Unit
J-458	Same as J-256	Receptacle for 2nd IF Unit (Input)
J-459	Same as J-259	Receptacle for 2nd IF Unit
J-460	Same as J-259	Receptacle for Audio Unit
J-461	Same as J-257	Receptacle for BFO Unit
J-462	Same as J-257	Receptacle for Type II Calibrator Unit
J-463	Same as J-263	Receptacle for Power Unit
J-464	Same as J-264	Connector for Type II Main Chassis
J-465	Same as J-265	Headphone Panel Jack
J-466	Same as J-265	Headphone Panel Jack
J-467 thru J-500	Not Used	
J-501	Same as J-101	Plug-in Connector for Type III Antenna Unit
J-502	Same as J-127	Receptacle for Z-501
J-503	Same as J-103	Receptacle for Z-501
J-504	Same as J-304	Antenna Trimmer Connection, Type III Antenna Unit
J-505 thru J-525	Not Used	
J-526	Same as J-101	Plug-in Connector, Type III RF Unit
J-527	Same as J-127	Receptacle for Z-526
J-528	Same as J-103	Receptacle for Z-526

CHANGE 1

8-49

CONTRACT NObar-52014

TABLE 8-4. TABLE OF REPLACEABLE PARTS—Continued
RADIO RECEIVING SETS AN/SRR-11, AN/SRR-12, AN/SRR-13, AN/SRR-13A

REF SYMBOL	STOCK NUMBERS SIGNAL CORPS STANDARD NAVY AIR FORCE	NAME OF PART AND DESCRIPTION	LOCATING FUNCTION
J-529 thru J-550		Not Used	
J-551		Same as J-101	Plug-in Connector, Type III Mixer Unit
J-552		Same as J-127	Receptacle for Z-551
J-553		Same as J-103	Receptacle for Z-551
J-554 thru J-600		Not Used	
J-601		Same as J-101	Plug-in Connector, Type III Oscillator Unit
J-602		Same as J-127	Receptacle for Z-601
J-603		Same as J-103	Receptacle for Z-601
J-604 thru J-650		Not Used	
J-651		Same as J-256	Receptacle for Type III Antenna Trimmer Connection
J-652		Same as J-252	Receptacle for Type III Antenna Unit
J-653		Same as J-252	Receptacle for Type III RF Unit
J-654		Same as J-252	Receptacle for Type III Mixer Unit
J-655		Same as J-252	Receptacle for Type III Oscillator Unit
J-656		Same as J-256	Receptacle for Type III 1st IF Unit (Input)
J-657		Same as J-257	Receptacle for Type III 1st IF Unit
J-658		Same as J-256	Receptacle for 2nd IF Unit (Input)
J-659		Same as J-259	Receptacle for 2nd IF Unit
J-660		Same as J-259	Receptacle for Audio Unit
J-661		Same as J-257	Receptacle for BFO Unit
J-662		Same as J-257	Receptacle for Type III Calibrator Unit
J-663		Same as J-263	Receptacle for Power Unit
J-664		Same as J-264	Plug-in Connector for Type III Main Chassis
J-665		Same as J-265	Headphone Panel Jack
J-666		Same as J-265	Headphone Panel Jack
J-667 thru J-700		Not Used	
J-701		Same as J-304	Plug-in Connector, Type I 1st IF Unit
J-702	N17-C-73531-3457	CONNECTOR, RECEPTACLE; seven round male cont, pol, straight type; 1 1/4" lg x 3/4" wd x 15/16" thk o/a; 5 amp, 1000 v; rectangular, phenolic body; two #4-40 x 3/16" lg mag studs on 0.858" mdg/c; cont silver or gold pl, term hot tan dipped; RCA part/dwg B-450061-7	Plug-in Connector for Type I 1st IF Unit
J-703 thru J-800		Not Used	

AN/SRR-11, AN/SRR-12,
AN/SRR-13, AN/SRR-13A
PARTS LIST

NAVSHIPS 91875(A)

Section 8
J-801 - J-1704

J-801	Same as J-304	Plug-in Connector, Type II 1st IF Unit
J-802	Same as J-702	Plug-in Connector, Type II 1st IF Unit
J-803 thru J-900	Not Used	
J-901	Same as J-304	Plug-in Connector, Type III 1st IF Unit
J-902	Same as J-702	Plug-in Connector, Type III 1st IF Unit
J-903 thru J-1000	Not Used	
J-1001	Same as J-304	Plug-in Connector, 2nd IF Unit
J-1002	CONNECTION, RECEPTACLE: 18 round male cont. pol; straight type; 1 1/2" lg x 1/2" wd x 3/4" d o/a; 3 amp; rectangular plastic body; two #40 x 1/4" lg mtg studs on 1 1/4" sq o/a; on term side; term and cont identified by ltr, cont silver pl; RSW; Winchester Electronics Co., Cat #MRE18P-G; RCA part/dwg E-449689-1	Plug-in Connector, 2nd IF Unit
J-1003 thru J-1100	Not Used	
J-1101	Same as J-1002	Plug-in Connector, Audio Unit
J-1102 thru J-1200	Not Used	
J-1201	Same as J-702	Plug-in Connector, Type III Calibrator Unit
J-1202 thru J-1300	Not Used	
J-1301	Same as J-702	Plug-in Connector, BFO Unit
J-1302 thru J-1400	Not Used	
J-1401	Same as J-702	Plug-in Connector, Type I Calibrator Unit
J-1402 thru J-1500	Not Used	
J-1501	Same as J-702	Plug-in Connector, Type II Calibrator Unit
J-1502 thru J-1600	Not Used	
J-1601	CONNECTION, RECEPTACLE: 18 round male cont. pol; straight type; 2 1/2" lg x 1 1/2" wd x 1 1/2" thk o/a; 10 amp; rectangular plastic body; two #32 x 1/4" lg mtg studs on 2 1/2" sq o/a; on term and cont identified by ltr, Winchester Electronics Co. Cat #QRE18P-2; RCA part/dwg M-146206-3	Plug-in Connector, Power Unit
J-1602 thru J-1700	Not Used	
J-1701	CONNECTION, RECEPTACLE: AN type AN-3102A-10SLAP; two round male cont #20 AWG; straight type; 1 1/2" lg x 1" sq o/a; cylindrical aluminum body w/ sq mtg flange; molded melamine insert; four 0.120" diam mtg holes on 1/2" mtg/c; solid shell, std key position; pol; spec MIL-C-5015; RCA part/dwg C-737841-97	Connection for Audio Output
J-1702	Same as J-1701	Connection for Audio Output
J-1703	Not Used	
J-1704	CONNECTION, RECEPTACLE: AN type AN-3102A-16S-5P; three round male cont #16 AWG; straight type; 1 1/2" lg x 1 1/2" sq o/a; cylindrical aluminum body w/ sq mtg flange; molded melamine insert; four 0.120" diam mtg holes on 3/8" mtg/c; solid shell, pol; std key position; spec MIL-G-5015; RCA part/dwg C-737841-98	Connection to Primary Power Source

CHANGE 1

8-51

CONTRACT NObar-52014

TABLE 8-4. TABLE OF REPLACEABLE PARTS—Continued
RADIO RECEIVING SETS AN/SRR-11, AN/SRR-12, AN/SRR-13, AN/SRR-13A

REF. SYMBOL	STOCK NUMBERS SIGNAL CORPS STANDARD NAVY AIR FORCE	NAME OF PART AND DESCRIPTION	LOCATING FUNCTION
J-1705	For Replacement Use N17-C-73108-2878	CONNECTOR, RECEPTACLE: AN type UG-290/U; one round female cont; straight type; 1 1/4" lg. x 0.375" OD w/ 1 1/4" sq mtg flange; 50 ohms nom RF impedance; cylindrical brass silver pl body w/ sq mtg flange; thermosetting polymer insert; accommodates solid dielectric coax cable, 0.206" OD w/ #20 AWG inner cond; four #3-56 tapped mtg holes on 1/2" x 1/2" mtg/c; electrolytic protective coating on all silver surfaces; incl two studs for bayonet type connection to male connector; Amphenol Type UG-290/U; Navy Dwg RE49F331; RCA part/dwg M-445813-1	Connection to FSK or Other Auxiliary Apparatus
J-1706	Not Used		Connection to Antenna
J-1707	For Replacement Use N17-C-73108-5906	CONNECTOR, RECEPTACLE: AN type UG-58/U; one round female contact; straight type; 1 1/4" lg. x 3/8" diam w/ 1" sq mtg flange; 50 ohms impedance; cylindrical brass body; four 1/8" diam mtg holes on 1/2" x 1/2" mtg/c; spec JAN-C-71; RCA part/dwg M-433647-1	Plug-in Connection to Receiver Chassis
J-1708	Not Used		Connection for Audio Output
J-1709	N17-C-73304-1318	CONNECTOR, RECEPTACLE: 14 round female cont; straight type; 3 3/8" lg. x 1 1/4" wd x 1 1/2" thk; small cont 10 amp, medium cont 15 amp, large (coax) 10 amp; rectangular aluminum body; mica-filled phenolic insert; four 0.152" diam esk mtg holes on 2 1/8" x 1" mtg/c; one coax cont has 90 deg offset for attaching to cable; RCA part/dwg C-744589-4	Connection for Audio Output Connection for Det./AGC Output Connection to Primary Power Source Connection to FSK or Other Auxiliary Apparatus Connection to Panoramic Adapter or Other Auxiliary Apparatus
J-1710 thru J-1800		Not Used	Connection for Antenna
J-1801		Same as J-1701	Plug-in Connection to Receiver Chassis
J-1802		Same as J-1701	Protects Antenna Input Circuits
J-1803		Same as J-1701	Protects Antenna Input Circuits
J-1804		Same as J-1704	
J-1805		Same as J-1705	
J-1806		Same as J-1705	
J-1807		Same as J-1707	
J-1808		Not Used	
J-1809		Same as J-1709	
K-101 thru K-1700		Not Used	
K-1701	N17-T-99999-0199	RELAY, THERMAL; cont arrangement 1B; 20 v 1 amp; cont material palladium; 1 1/4" lg. x 1 1/4" wd x 1 1/4" thk o/s; mts by four 0.140" diam holes on 0.687" x 0.812" mtg/c; slow acting; shall open one sec or less for any current exceeding 150 ma and shall be continuously adj to 6 min operation at 100 ma; RCA part/dwg C-748210-1. Used for all equipment and stock spares for the AN/SRR-11 and AN/SRR-13 and for equipment spares up to Serial #182 for the AN/SRR-13A	Protects Antenna Input Circuits
*K-1701	N17-R-99999-0038	RELAY, THERMAL; SPST; cont normally closed; 1 amp 20 v AC/DC; heater, 1.12 w AC/DC; non-plug-in type term; two heater element term; two term for contacts; HS; glass envelope; ambient temp range compensated for oper is 90° C; 2 1/4" max lg x 1 1/4" diam less terminations; mts by means of three 0.136" diam holes located on mtg flange and spaced 120 deg apart on term board; RCA part/dwg R-474116-501. Used for all stock spares for the AN/SRR-13A and for equipment spares starting at Serial #183 for the AN/SRR-13A	Protects Antenna Input Circuits
K-1702 thru K-1800		Not Used	
K-1801		Same as K-1701	
L-101 thru L-200		Not Used	

*Alternate Item.

L-201	N16-C-76780-2846	COIL, RF: oec tunes 0.082 mc; single wnd having two taps; in phenolic case; 1 1/4" lg x 0.750" diam less term, mtg, and adj screw; powdered iron core; socr tuning adj; socr adj at mtg end; 3/4"-32 thd x 1/2" lg mtg bushing at adj end; four solder lug rod term at non-mtg end; marked "L-101," RCA part/dwg #, and Std Navy Stock No.; oper temp range -54° C to +85° C; to withstand 48-hr salt spray corrosion test; in accordance w/ BuShips spec 16T36 (Ships); RCA part/dwg C-746105-6	Type I Oscillator Unit, Band 1
L-202	N16-C-76736-6086	COIL, RF: oec tunes 0.250 mc; single wnd having two taps; in phenolic case; 1 1/4" lg x 0.750" diam less term, mtg, and adj screw; powdered iron core; socr tuning adj; socr adj at mtg end; 3/4"-32 thd x 1/2" lg mtg bushing at adj end; four solder lug rod term at non-mtg end; marked "L-102," RCA part/dwg #, and Std Navy Stock No.; oper temp range -54° C to +85° C; to withstand 48-hr salt spray corrosion test; in accordance w/ BuShips spec 16T36 (Ships); RCA part/dwg C-746105-7	Type I Oscillator Unit, Band 2
L-203	N16-C-76728-6401	COIL, RF: oec tunes 0.300 mc; single wnd having two taps; in phenolic case; 1 1/4" lg x 0.750" diam less term, mtg, and adj screw; powdered iron core; socr tuning adj; socr adj at mtg end; 3/4"-32 thd x 1/2" lg mtg bushing at adj end; four solder lug rod term at non-mtg end; marked "L-103," RCA part/dwg #, and Std Navy Stock No.; oper temp range -54° C to +85° C; 48-hr salt spray test; in accordance w/ BuShips spec 16T36 grade C; RCA part/dwg C-746105-8	Type I Oscillator Unit, Band 3
L-204	N16-C-76748-1800	COIL, RF: oec tunes 0.270 mc; single wnd having two taps; in phenolic case; 1 1/4" lg x 0.750" diam less term, mtg, and adj screw; powdered iron core; socr tuning adj; socr adj at mtg end; 3/4"-32 thd x 1/2" lg mtg bushing at adj end; four solder lug rod term at non-mtg end; marked "L-104," RCA part/dwg #, and Std Navy Stock No.; oper temp range -54° C to +85° C; 48-hr salt spray test; in accordance w/ BuShips spec 16T36 grade C; RCA part/dwg C-746105-9	Type I Oscillator Unit, Band 4
L-205	N16-C-74123-3251	COIL, RF: oec tunes 0.700 mc; single wnd having two taps; in phenolic case; 1 1/4" lg x 0.750" diam less term, mtg, and adj screw; powdered iron core; socr tuning adj; socr adj at mtg end; 3/4"-32 thd x 1/2" lg mtg bushing at adj end; four solder lug rod term at non-mtg end; marked "L-105," RCA part/dwg #, and Std Navy Stock No.; oper temp range -54° C to +85° C; 48-hr salt spray test; in accordance w/ BuShips spec 16T36 grade C; RCA part/dwg C-746105-10	Type I Oscillator Unit, Band 5
L-206 thru L-230		Not Used	
L-251	N16-C-99999-0045	COIL, RF: choke; single pie universal wnd; shielded; 6.35 mh p/m 10% at 200 kc; 1.054" lg x 0.572" diam o/a; wnd directly over powdered iron core; single mtg bushing 3/4"-32 thd x 0.329" thd; two solder lug term on end opposite mtg end; marked w/ symbol, RCA part/dwg #, and Std Navy Stock No.; oper temp range -54° C to +85° C; 48-hr salt spray test; coil sealed in potting compound; in accordance w/ BuShips spec 16T36 grade C; RCA part/dwg C-746104-9	Manual Gain Control Filter Circuit
L-252	N16-R-28800-2904	REACTOR: power inductor; one section; 0.001 henry min at 0.2 v AC; 0.3 ohm max DC resistance; 500 v RMS test; HS metal case; 1 1/2" lg max x 1 1/2" wd x 1 1/2" thk excluding term; two #6-32 x 1/4" lg mtg studs on 3/4" mtg/c; two post type term 3/4" lg on top of case; oper temp -54° C to +85° C; term hot solder dipped, air cooled; spec MIL-T-27 grade 1 class A; RCA part/dwg B-462575-1	Heater Circuit Filter
L-253 thru L-300		Not Used	
L-301	N16-C-76736-2445	COIL, RF: antenna, 0.250/0.500 mc; single wnd; unshielded; 2 1/4" lg x 0.750" diam o/a; ceramic form, powdered iron core; adj iron core; socr adj; mtd vertically by single 3/4"-32 bushing; two post type term located on end opposite mtg end; marked w/ RCA part/dwg #, Std Navy Stock No., and nom oper freq; coil sealed in plastic, to withstand 48-hr salt spray test; in accordance w/ BuShips spec 16T36; RCA part/dwg C-746107-16	Type II Antenna Unit, Band 1
L-302	N16-C-76683-9101	COIL, RF: antenna, 0.500/1.000 mc; single wnd; unshielded; 2 1/4" lg x 0.750" diam o/a; ceramic form, powdered iron core; adj iron core; socr adj; mtd vertically by single 3/4"-32 bushing; two post type term located on end opposite mtg end; marked w/ RCA part/dwg #, Std Navy Stock No., and nom oper freq; coil sealed in plastic, to withstand 48-hr salt spray test; in accordance w/ BuShips spec 16T36; RCA part/dwg C-746107-17	Type II Antenna Unit, Band 2
L-303	N16-C-76660-1901	COIL, RF: antenna, 1.000/2.000 mc; single wnd; unshielded; 2 1/4" lg x 0.750" diam o/a; ceramic form, powdered iron core; adj iron core; socr adj; mtd vertically by single 3/4"-32 bushing; two post type term located on end opposite mtg end; marked w/ RCA part/dwg #, Std Navy Stock No., and nom oper freq; coil sealed in plastic, to withstand 48-hr salt spray test; in accordance w/ BuShips spec 16T36; RCA part/dwg C-746107-18	Type II Antenna Unit, Band 3
L-304	N16-C-76635-3261	COIL, RF: antenna, 2 to 4 mc; single wnd; unshielded; 2 1/4" lg x 0.750" diam o/a; ceramic form, powdered iron core; adj iron core; socr adj; mtd vertically by single 3/4"-32 bushing; two post type term located on end opposite mtg end; marked w/ RCA part/dwg #, Std Navy Stock No., and nom oper freq; coil sealed in plastic, to withstand 48-hr salt spray test; in accordance w/ BuShips spec 16T36; RCA part/dwg C-746107-19	Type II Antenna Unit, Band 4
L-305	N16-C-76594-4421	COIL, RF: antenna, 4 to 8 mc; single wnd; unshielded; 2 1/4" lg x 0.750" diam o/a; ceramic form, powdered iron core; adj iron core; socr adj; mtd vertically by single 3/4"-32 bushing; two post type term located on end opposite mtg end; marked w/ RCA part/dwg #, Std Navy Stock No., and nom oper freq; coil sealed in plastic, to withstand 48-hr salt spray test; in accordance w/ BuShips spec 16T36; RCA part/dwg C-746107-20	Type II Antenna Unit, Band 5

TABLE 8-4. TABLE OF REPLACEABLE PARTS—Continued
RADIO RECEIVING SETS AN/SRR-11, AN/SRR-12, AN/SRR-13, AN/SRR-13A

REF SYMBOL	STOCK NUMBERS SIGNAL CORPS STANDARD NAVY AIR FORCE	NAME OF PART AND DESCRIPTION	LOCATING FUNCTION
L-306 thru L-400		Not Used	
L-401	N16-C-76702-8966	COIL, RF: osc tunes 0.700 mc; single wnd having two taps; in phenolic case; 1 1/2" lg x 0.750" diam less term, mtg, and adj screw; powdered iron core; sdr adj; sdr adj at mtg end; 3/8"-32 thd x 1/4" lg mtg bushing one end; four solder lug term at non-mtg end; marked "L-306," RCA part/dwg #, and Std Navy Stock No.; oper temp range -54° C to +85° C; 48-hr salt spray test; in accordance w/ BuShips spec 16T36 grade C; RCA part/dwg C-746105-1	Type II Oscillator Unit, Band 1
L-402	N16-C-76678-2203	COIL, RF: osc tunes 1.2 mc; single wnd having two taps; in phenolic case; 1 1/2" lg x 0.750" diam less term, mtg, and adj screw; powdered iron core; sdr adj; sdr adj at mtg end; 3/8"-32 thd x 1/4" lg mtg bushing one end; four solder lug term at non-mtg end; marked "L-307," RCA part/dwg #, and Std Navy Stock No.; oper temp range -54° C to +85° C; 48-hr salt spray test; in accordance w/ BuShips spec 16T36 grade C; RCA part/dwg C-746105-2	Type II Oscillator Unit, Band 2
L-403	N16-C-99999-0046	COIL, RF: osc tunes 2.200 mc; single wnd having two taps; in shield can; 1 1/2" lg x 0.750" diam less term, mtg, and adj screw; powdered iron core; sdr adj; sdr adj at mtg end; 3/8"-32 thd x 1/4" lg mtg bushing one end; four solder lug term at non-mtg end; marked "L-308," RCA part/dwg #, and Std Navy Stock No.; oper temp range -54° C to +85° C; 48-hr salt spray test; in accordance w/ BuShips spec 16T36 grade C; RCA part/dwg C-746105-3	Type II Oscillator Unit, Band 3
L-404	N16-C-76613-7351	COIL, RF: osc tunes 5.600 mc; single wnd having two taps; in phenolic case; 1 1/2" lg x 0.750" diam less term, mtg, and adj screw; powdered iron core; sdr adj; sdr adj at mtg end; 3/8"-32 thd x 1/4" lg mtg bushing one end; four solder lug term at non-mtg end; marked "L-309," RCA part/dwg #, and Std Navy Stock No.; oper temp range -54° C to +85° C; 48-hr salt spray test; in accordance w/ BuShips spec 16T36 grade C; RCA part/dwg C-746105-4	Type II Oscillator Unit, Band 4
L-405	N16-C-76570-2942	COIL, RF: osc tunes 9.600 mc; single wnd having two taps; in phenolic case; 1 1/2" lg x 0.750" diam less term, mtg, and adj screw; powdered iron core; sdr adj; sdr adj at mtg end; 3/8"-32 thd x 1/4" lg mtg bushing one end; four solder lug term at non-mtg end; marked "L-310," RCA part/dwg #, and Std Navy Stock No.; oper temp range -54° C to +85° C; 48-hr salt spray test; in accordance w/ BuShips spec 16T36 grade C; RCA part/dwg C-746105-5	Type II Oscillator Unit, Band 5
L-406 thru L-450		Not Used	
L-451		Same as L-251	Manual Gain Control Circuit Filter
L-452 thru L-500		Not Used	
L-501	N16-C-76635-4241	COIL, RF: antenna, 3.0 mc; single wnd; unshielded; 2 1/2" lg x 0.750" diam o/s; ceramic form, powdered iron core; adj iron core; sdr adj; mtd vertically by single 3/8"-32 bushing; two post type term located on end opposite from bushing; marked w/ RCA part/dwg #, Std Navy Stock No., and nom oper freq; coil sealed in plastic, to withstand 48-hr salt spray test; in accordance w/ BuShips spec 16T36; RCA part/dwg C-746108-16	Type III Antenna Unit, Band 1
L-502	N16-C-76588-5403	COIL, RF: antenna, 6.0 mc; single wnd; unshielded; 2 1/2" lg x 0.750" diam o/s; ceramic form, powdered iron core; adj iron core; sdr adj; mtd vertically by single 3/8"-32 bushing; two post type term located on end opposite from bushing; marked w/ RCA part/dwg #, Std Navy Stock No., and nom oper freq; coil sealed in plastic, to withstand 48-hr salt spray test; in accordance w/ BuShips spec 16T36; RCA part/dwg C-746108-17	Type III Antenna Unit, Band 2
L-503	N16-C-71967-5865	COIL, RF: antenna, 12.0 mc; single wnd; unshielded; 2 1/2" lg x 0.750" diam o/s; ceramic form, powdered iron core; adj iron core; sdr adj; mtd vertically by single 3/8"-32 bushing; two post type term located on end opposite from bushing; marked w/ RCA part/dwg #, Std Navy Stock No., and nom oper freq; coil sealed in plastic, to withstand 48-hr salt spray test; in accordance w/ BuShips spec 16T36; RCA part/dwg C-746108-18	Type III Antenna Unit, Band 3
L-504	N16-C-71477-1022	COIL, RF: antenna, 20.0 mc; single wnd; unshielded; 2 1/2" lg x 0.750" diam o/s; ceramic form, powdered iron core; adj iron core; sdr adj; mtd vertically by single 3/8"-32 bushing; two post type term located on end opposite from bushing; marked w/ RCA part/dwg #, Std Navy Stock No., and nom oper freq; coil sealed in plastic, to withstand 48-hr salt spray test; in accordance w/ BuShips spec 16T36; RCA part/dwg C-746108-19	Type III Antenna Unit, Band 4

Part Number	Description	Quantity	Unit
L-505	COIL, RF: antenna, 28.0 mc; single wnd; unshielded; 2 1/2" lg x 0.750" diam o/a; ceramic form, powdered iron core; adj iron core; scdr adj; mtd vertically by single 1/2"-32 bushing; RCA part/dwg #, and nom oper freq; on end opposite from bushing; marked w/ RCA part/dwg #, Std Navy Stock No., and nom oper freq; coil sealed in plastic, to withstand 48-hr salt spray test; in accordance w/ BuShips spec 16T36; RCA part/dwg C-746105-20	1	Type III Antenna Unit, Band 5
L-506 thru L-600	Not Used		
L-601	COIL, RF: osc, 4.6 mc; single wnd having two taps; in phenolic case; 1 1/2" lg x 0.750" diam less term, mtg, and adj screw; powdered iron core; scdr adj; scdr adj at mtg end; 1/2"-32 thd x 1/2" lg mtg bushing at adj end; four solder lug term at non-mtg end; marked "L-506", RCA part/dwg #, and Std Navy Stock No.; 48-hr salt spray test; oper temp range -54° C to +85° C; in accordance w/ BuShips spec 16T36 grade C; RCA part/dwg C-746105-11	1	Type III Oscillator Unit, Band 1
L-602	COIL, RF: osc, 7.6 mc; single wnd having two taps; in phenolic case; 1 1/2" lg x 0.750" diam less term, mtg, and adj screw; powdered iron core; scdr adj; scdr adj at mtg end; 1/2"-32 thd x 1/2" lg mtg bushing at adj end; solder lug term at other end; marked "L-507", RCA part/dwg #, and Std Navy Stock No.; 48-hr salt spray test; oper temp range -54° C to +85° C; in accordance w/ BuShips spec 16T36 grade C; RCA part/dwg C-746105-12	1	Type III Oscillator Unit, Band 2
L-603	COIL, RF: osc, 13.6 mc; single wnd having two taps; in phenolic case; 1 1/2" lg x 0.750" diam less term, mtg, and adj screw; powdered iron core; scdr adj; scdr adj at mtg end; 1/2"-32 thd x 1/2" lg mtg bushing at adj end; four solder lug term at non-mtg end; marked "L-508", RCA part/dwg #, and Std Navy Stock No.; 48-hr salt spray test; oper temp range -54° C to +85° C; in accordance w/ BuShips spec 16T36 grade C; RCA part/dwg C-746105-13	1	Type III Oscillator Unit, Band 3
L-604	COIL, RF: osc, 21.6 mc; single wnd having two taps; in phenolic case; 1 1/2" lg x 0.750" diam less term, mtg, and adj screw; powdered iron core; scdr adj; scdr adj at mtg end; 1/2"-32 thd x 1/2" lg mtg bushing at adj end; four solder lug term at non-mtg end; marked "L-509", RCA part/dwg #, and Std Navy Stock No.; 48-hr salt spray test; oper temp range -54° C to +85° C; in accordance w/ BuShips spec 16T36 grade C; RCA part/dwg C-746105-14	1	Type III Oscillator Unit, Band 4
L-605	COIL, RF: osc, 29.6 mc; single wnd having two taps; unshielded phenolic case; 1 1/2" lg x 0.750" diam less term, mtg, and adj screw; powdered iron core; scdr adj; scdr adj at mtg end; 1/2"-32 thd x 1/2" lg mtg bushing at adj end; four solder lug term at non-mtg end; marked "L-510", RCA part/dwg #, and Std Navy Stock No.; 48-hr salt spray test; oper temp range -54° C to +85° C; in accordance w/ BuShips spec 16T36 grade C; RCA part/dwg C-746105-15	1	Type III Oscillator Unit, Band 5
L-606	Heater Choke, V-601	1	Heater Choke, V-601
L-607 thru L-650	Not Used		
L-651	Same as L-251		Manual Gain Control Filter Circuit
L-652	COIL, RF: single wnd, single layer wnd; unshielded; 30 microhenries ±5% inductance; resonant freq 38 mc 50 ma, approx 3456 ohms DC resistance; 4" lg x 0.2616" diam o/a; solid phenolic form; form 0.250" diam 1" lg; mts by wire lead term 1 1/2" lg; two wire lead type term #20 AWG x 1 1/2" lg; coil marked w/ RCA part/dwg A-8813716-1; completed choke shall be protected by a suitable coating to completely cover and protect the inductance element; RCA part/dwg A-8813716-1	1	With C-652 Headphone Filter
L-653 thru L-1009	Not Used		
L-1010	COIL, RF: 2nd IF unit, IF coil, 200 kc peak freq; single pie universal wnd; shielded; 0.601" lg x 0.572" diam excluding term, mtg, and tuning devices; ceramic form, powdered iron core; adj iron core tuning; scdr adj one end; single mtg tuning 1/2"-32 thd x 0.320" lg thd; two solder lug term on end opposite mtg end; marked w/ symbol, RCA part/dwg #, and Std Navy Stock No.; oper temp range -54° C to +85° C; 48-hr salt spray test; coil lead in potting compound; 2.27 mh ±7.93% nom inductance, rated at 50 v to gnd; in accordance w/ BuShips spec 16T36 grade C; RCA part/dwg C-746104-4	1	Element of Z-1003 (AN/SRR-11, -12, -13 Only)
L-1011	COIL, RF: 200 kc peak freq; pri inductance 2.28 mh p/m 8%, 13.6 ohms DC resistance; 2nd IF unit, IF transformer; shielded; 0.601" h x 0.572" diam less term, mtg, and tuning devices; powdered iron core; single tuned; adj iron core tuning; single mtg bushing 1/2"-32 thd x 0.2285" lg thd; four post type term; term marked A, B, C, D; temp range from -54° C to +85° C; RCA part/dwg C-746104-31. Not used in AN/SRR-13A	1	Element of Z-1005
L-1012	Same as L-1011. Not used in AN/SRR-13A		Element of Z-1007
L-1013	COIL, RF: 200 kc peak freq; pri inductance 1.20 mh p/m 8%, 9.4 ohms DC resistance; 2nd IF unit, IF transformer; shielded; 0.601" h x 0.572" diam less term, mtg, and tuning devices; powdered iron core; single tuned; adj iron core tuning; single mtg bushing 1/2"-32 thd x 0.2285" lg thd; four post type term; term marked A, B, C, D; temp range from -54° C to +85° C; RCA part/dwg C-746104-32	1	Element of Z-1011

CONTRACT NObar-52014

TABLE 8-4. TABLE OF REPLACEABLE PARTS—Continued
RADIO RECEIVING SETS AN/SRR-11, AN/SRR-12, AN/SRR-13, AN/SRR-13A

REF. SYMBOL	STOCK NUMBERS SIGNAL CORPS STANDARD NAVY AIR FORCE	NAME OF PART AND DESCRIPTION	LOCATING FUNCTION
L-1014 L-1015		Not Used	Element of Z-1017
L-1016		Same as L-1011; p/o Z-1017. Used in AN/SRR-13A only	Element of Z-1018
L-1017		Not Used	
L-1018 L-1019 L-1020		REACTOR: filter choke; dual; term 1 and 2, 5 by 119 ms; term 2 and 3, 5 by 104 ms; 160 ohms DC resistance; 1300 v RMS test; HS metal case; 1 1/2" lg x 1 1/4" wd x 4 1/4" h; for #8-32 mtg studs 3/8" lg on 1 1/2" x 1 1/2" mtg/c; three wire leads on top, marked w/ vendor's name, Std Navy Stock No., and RCA part/dwg #: case temp range -55° C to +85° C; and pertinent electrical information; spec MIL-I-27; RCA part/dwg A-8696292-1	With C-1601, C-1602, Filters Rectified Current
L-1601A	N16-R-29792-1061	P/o L-1601	
L-1601B		P/o L-1601	
M-101 thru M-250		Not Used	
M-251	N17-M-18982-9120	METER, MICROAMMETER: DC; range 0 to 100 us; sq, molded bakelite flush mtg case; 1.510" diam barrel; 1.000" d behind flange excluding term; sq flange 1.770" lg x 1.770" wd x 0.406" thk; p/m 3% for full scale reading; resistance 1110 ohms across term; 20 scale divisions; white markings and pointer, black background; four 0.140" diam mtg holes located on 1.312" x 1.312" mtg/c; two solder lug term; special scale markings; RCA part/dwg B-462567-1	Tuning Meter
M-252	N17-M-22713-3543	METER, AUDIO LEVEL: AC type, 25 cyc to 16,000 cyc; range -10/0/+5 DB; round, plastic flush-mtg case; 1.770" sq flange x 1.150" diam body x 1.000" d behind flange; p/m 5% accuracy for full scale reading; "0" on scale represents 0.6 v; 5000 to 5500 ohms resistance when indicating "0"; calibrated for use on non-magnetic panel; 10 scale divisions, white markings and pointer, black background, self-contained; four 0.140" diam holes on 1.312" x 1.312" mtg/c; two solder lug term; special scale marking; RCA part/dwg B-462566-1	Output Meter
M-253 thru M-450		Not Used	
M-451		Same as M-251	Tuning Meter
M-452		Same as M-252	Output Meter
M-453 thru M-650		Not Used	
M-651		Same as M-251	Tuning Meter
M-652		Same as M-252	Output Meter
N-101 thru N-250		Not Used	
N-251	Procured on demand by nearest Naval Shore Supply Activity	ESCUTCHEON: Radio Receiver Equipment operation; front panel; half hard aluminum alloy sheet; light Navy gray enamel finish; silk screen, black finish; rectangular w/ one irregularly shaped 2-step cutaway corner; 1 1/2" lg x 7 1/2" wd x 0.032" thk o/a; five 0.147" diam mtg holes; three at cutaway end, ctrs 1/4" from edges at corners; two towards other end, ctrs 1/4" from side edges on centerline 9.359" from centerline of first end holes; notched for meter, switch, and other equipment mtg as shown on RCA part/dwg D-630873-2 sub 5; 32 holes as shown on RCA part/dwg D-630873-2 sub 5; two marked A 1.562" diam, 1 B 0.718" diam, 3 C 0.500" diam, 8 D 0.406" diam, 1 E 0.281" diam, 17 H 0.147" diam incl mtg holes; RCA part/dwg D-630873-2	Carries Panel Markings
N-252	Procured on demand by nearest Naval Shore Supply Activity	ESCUTCHEON: used on Freq Vernier; aluminum alloy die casting, light Navy gray enamel finish; rectangular shape; 1 1/2" lg x 1 1/2" wd x 0.187" thk o/a; two 0.173" diam mtg holes on 1.562" x 0.968" mtg/c; marked w/ 10-0-10, Freq Vernier; 0.251" diam hole located on centerline; RCA part/dwg B-462597-2	Carries Frequency Vernier Markings

Part Number	Description	Notes	Carries Frequency Vernier Markings	Carries Panel Markings
N-253 thru N-451		Not Used		
N-452		Same as N-252		
N-453 thru N-650		Not Used		
N-651	Procured on demand by nearest Naval Shore Supply Activity	ESUTCHEON: Radio Receiving equipment oper; front panel; half hard aluminum alloy sheet; light Navy gray enamel low gloss finish; silk screen, black finish; rectangular w/ one irregularly shaped 2-step cutaway corner; 11 ³ / ₄ " lg x 7 ¹ / ₂ " wd x 0.32" thk o/a; five 0.147" diam mtg holes; three at cutaway end, ctr 1/4" from edges at corners; two toward other end, ctr 1/4" from side edge on centerline 9.359" from centerline of first end holes; marked for meter switch, and other equipment mtg as shown on RCA part/dwg D-636355-1 (Rev 3); 35 irregularly spaced holes drilled to accommodate meters and controls of AN/SRR-12, -13; two holes 1.562" diam, one hole 0.718" diam, three holes 0.500" diam, ten holes 0.406" diam, two holes 0.281" diam, seventeen holes 0.147" diam; RCA part/dwg D-636355-1		
N-652		Same as N-252		
N-653 thru N-3600		Not Used		
N-3601	For Reference Only	DIAL, SCALE: scale for dial assembly E-314436; frosted aluminum; semi-circular round, flat shape; approx 2 1/2" lg x 1 1/4" wd x 1/4" thk; mts by two 0.156" diam mtg holes on 2" mtg/c; marked w/ calibrations and numerals 0 to 1.0 by tenths on inner edge; RCA part/dwg A-46311-1; p/o O-3628		
N-3602 thru N-3700		Not Used		
N-3701	For Reference Only	Same as N-3601; p/o O-3728		
N-3702 thru N-3800		Not Used		
N-3801	For Reference Only	Same as N3601; p/o O-3828		
O-101	Shop Manufacture	LINK, CONNECTING: links two term; silver pl brass; flat oblong; 1 1/2" lg x 1/2" wd x 0.032" thk; one oval shaped mtg hole 0.312" lg x 0.093" wd and one spade end; RCA part/dwg A-8834059-1; p/o Z-101		
O-102	Shop Manufacture	Same as O-101; p/o Z-101		
O-103	Shop Manufacture	LEVER: switch actuating; c/o one coupling RCA part/dwg B-460861-3, one pin RCA part/dwg A-8848937-5; rectangular shape; 1" lg x 1 1/4" wd x 1/4" thk o/a approx; RCA part/dwg A-8834099-501		
O-104	Shop Manufacture	SHAFT: switch actuator; c/o one coupling RCA part/dwg A-8835608-2, one shaft RCA part/dwg A-8834081-1; rectangular shape; 1 3/4" lg x 1 1/2" wd x 3/4" h o/a approx; shaft w/ one end 0.124" diam x 0.253" lg to 0.186" diam x 0.849" lg to undercut 1/4" wd x 0.010" d to 1/4" diam x 1/4" lg to 0.249" diam x 0.102" lg, coupling riveted to 0.249" diam of shaft; RCA part/dwg A-8834082-502		
O-105	Shop Manufacture	CAM: operates O-104; SS; off ctr round cylinder shape; 0.343" lg x 3/4" wd x 0.507" h o/a; mts by 0.2187" diam axial hole; has 1/4" OD for 160 deg approx, has 0.492" OD for approx 190 deg; two #4-40 tap radial set screw holes spaced 90 deg apart in ctr of greater OD and 0.082" from one side, other side of same OD has ctr cutout 0.084" wd x 1/2" d to mtg hole; RCA part/dwg A-8822110-1		
O-106	N16-L-99999-0046	LEVER: switch actuator; SS; 1 1/4" lg x 3/4" wd x 1/4" h o/a approx; mts by two #2-56 x 1/4" lg round head machine screws spaced 0.375" c to c; oil impr bronze roller; oper force 10 oz max; release force 2 oz min; movement differential 1/4" max; overtravel 1/4" min; RCA part/dwg A-8835394-1		
O-107 thru O-125		Not Used		
O-126		Same as O-103		
O-127		Same as O-104		
O-128 thru O-150		Not Used		
O-151		Same as O-103		
O-152		Same as O-104		

TABLE 8-4. TABLE OF REPLACEABLE PARTS—Continued
RADIO RECEIVING SETS AN/SRR-11, AN/SRR-12, AN/SRR-13, AN/SRR-13A

REF. SYMBOL	STOCK NUMBERS SIGNAL CORPS STANDARD NAVY AIR FORCE	NAME OF PART AND DESCRIPTION	LOCATING FUNCTION
O-153 thru O-200		Not Used	
O-201		Same as O-103	Coupling for O-202
O-202		Same as O-104	Shaft Extension for S-201
O-203 thru O-250		Not Used	
O-251	Shop Manufacture	GUIDE, PULL BAR; guide for switch actuator bar; SS; flat washer shape w/ hub on one side; 1/4" OD max x 0.171" ID x 1/2" thk; 0.342" OD hub extends 0.098" beyond face on one side; single 0.171" diam axial mtg hole; 0.281" diam x 1/2" d ctb in side opposite hub; RCA part/dwg A-8834746-1	Retains O-252
O-252	Shop Manufacture	BAR, SWITCH ACTUATING; actuates reception switch; SS; comb shape; 8 1/4" lg x 1.781" wd x 0.093" thk; mts by means of three irregularly spaced unattached guide pins permitting bar to slide longitudinally; has four teeth 1/4" wd spaced 1.736", 2", 2.860" c to c; ea tooth has one 1/8" wd x 1/4" lg notch in end; 13 equally spaced teeth on edges at one end, four unequally spaced notches near ctr of same edge; one rectangular and one oval cut-out through body; RCA part/dwg B-456851-1	Operates "Reception Control" Switches
O-253	Shop Manufacture	BAR, SWITCH ACTUATOR; band switch drive; SS; comb shape; 11 1/2" lg x 0.593" wd x 0.093" thk; two mtg slots 0.281" lg x 0.156" wd on 0.562" mtg/c; corner cut-out on one end 1 1/4" lg x 0.156" wd; has five slots 1/8" lg x 0.156" wd spaced 0.468", 1.875", 1.500", 0.844", 2.344" c to c; RCA part/dwg B-456854-2	Operates Band Switches
O-254	Shop Manufacture	GUIDE, PULL BAR; guide for switch actuator bar; SS; flat washer shape w/ hub on one side; 1/4" OD max x 0.161" ID x 1/2" thk; 1/2" OD hub extends 0.098" beyond face on one side; single 0.161" diam axial mtg hole; RCA part/dwg A-8834747-1	Retains O-253
O-255	N16-R-33591-1335	GEAR ASSEMBLY; antenna trimmer drive; c/o one bearing (casting) RCA part/dwg A-8834042-1, one coupling RCA part/dwg B-462594-501, one shaft RCA part/dwg A-8834068-1, two gears RCA part/dwg B-462526-1; 1 1/4" lg x 1 1/2" wd x 1 1/2" h o/a approx; two csk mtg holes 0.156" diam, 0.406" c to c; 0.156" lg crank pin 1/8" off ctr in coupling; RCA part/dwg B-456835-501	Right Angle Drive for Type I Antenna Unit Trimmer
O-256	Shop Manufacture	SHAFT; antenna compensator drive; SS; round rod shape; 10 7/8" lg x 0.250" +0.001" -0.002" diam o/a; mts by one end cut back to 0.125" p/m 0.002" diam x 1/8" lg; other end has 3/8" x 45 deg chamfer; RCA part/dwg A-8835688-1	Actuates O-255
O-257	N16-G-431136-114	GEAR ASSEMBLY; reception switch drive; c/o one bkt RCA part/dwg B-458182-1, one spur gear RCA part/dwg A-8834009-1, one shaft RCA part/dwg A-8834741-1, two miter gears RCA part/dwg B-460879-1, two set screws RCA part/dwg A-888539-101, two taper pins RCA part/dwg K-845979-4, four washers RCA part/dwg K-73109-43, one washer RCA part/dwg K-890534-47; bronze; irregular shape; 2 1/4" lg x 1.967" wd x 1 1/4" thk; mts by one #8-32 tapped hole 3/4" d w/ 0.219" diam x 82 deg csk, two 0.156" diam clearance holes w/ 0.219" diam x 82 deg csk spaced 1.062" c to c; RCA part/dwg B-458183-501	Actuates O-252
O-258	Shop Manufacture	EXTENSION SHAFT; BFO; brass, white nickel finish; round shaft 2" diam; 1 1/4" lg x 1/4" diam o/a; hole drilled axially in large diam end 0.251" diam x 0.218" d w/ #6-32 tap radial hole in side end slot 0.055" wd, 0.145" d from end 90 deg from radial hole ctr; small diam section 0.250" diam x 1 1/4" lg; 1/4" x 45 deg chamfer end; RCA part/dwg A-8824188-1	Shaft Extension for Frequency Vernier Control
O-259	Shop Manufacture	BUSHING; panel bearing; brass, white nickel plate; male and female; 3/8" hex head x 1/2" lg o/a; RCA part/dwg K-806568-113	Panel Bearing for O-256
O-260	Shop Manufacture	RECEIVER, SUB-ASSEMBLY; intermediate gear for latch mechanism; c/o one gear RCA part/dwg A-8836557-1, one hub RCA part/dwg A-8836563-1, one plate assem RCA part/dwg M-456861-502; rectangular shape; 4 1/2" lg x 1 1/2" wd x 1 1/4" thk o/a approx; RCA part/dwg M-456861-501	Assists in Mounting O-261
O-261	N16-H-150001-337	HANDLE ASSEMBLY; used to operate catch fastener; zinc die casting handle, gears brass, slide lock brass, white nickel finish; 4 1/4" lg x 1 1/4" wd x 1" thk o/a; zinc die casting grip 3 1/2" lg x 1/2" wd, opens to 145 deg max; two mtg holes #10-32 tap x 1/4" d on 3.312" mtg/c; to withstand 48-hr salt spray test; RCA part/dwg C-746147-501	Assists in Withdrawing Chassis from Cabinet
O-262	Shop Manufacture	CATCH FASTENER; w/ handle RCA part/dwg C-746147; c/o one block and guide assem RCA part/dwg B-462551-501, one gear RCA part/dwg A-8835629-1; rectangular block welded to guide, gear riveted to guide; 1.655" lg x 1.358" wd x 0.6827" h o/a, right-hand side; RCA part/dwg M-459844-501	Secures Chassis in Cabinet

Part Number	Shop Manufacture	Description	Notes
O-263	Shop Manufacture	CATCH FASTENER: w/ handle RCA part/dwg C-746147; c/o one guide and block assem RCA part/dwg B-462551-502; one gear RCA part/dwg A-8835629-2; rectangular block welded to guide, gear riveted to guide; 1.655" lg x 1.358" wd x 0.6827" h o/a; left-hand side; RCA part/dwg M-459844-502	Secures Chassis in Cabinet
O-264	Shop Manufacture	PLATE, CATCH: locks chassis in case RH; c/o one catch RCA part/dwg M-459839-2, one stud RCA part/dwg A-8835660-3, one cable stud RCA part/dwg K-85494-20; irregular shape; 2 1/4" lg x 1 1/2" wd x 0.639" h o/a approx; snap ring mtd at groove in studs; catch w/ 1/2" rad bend 1 1/2" from end x 0.140" h, notched 0.265" d x 0.203" wd, 1.847" from ctr of stud at ctr line of 0.218" rad end; two studs riveted on same side of catch; RCA part/dwg M-459839-501	Secures Chassis in Cabinet
O-265	Shop Manufacture	PLATE, CATCH: locks chassis in case LH; c/o one catch RCA part/dwg M-459839-5, one stud RCA part/dwg A-8835660-3, one cable stud RCA part/dwg K-85494-20; irregular shape; 2 1/4" lg x 1 1/2" wd x 0.639" h o/a approx; snap ring mtd at groove in studs; catch w/ 1/2" rad bend 1 1/2" from end x 0.140" h, notched 0.265" d x 0.203" wd, 1.187" from ctr line of stud at ctr line of 0.218" rad; two studs riveted on same side of catch; RCA part/dwg M-459839-502	Secures Chassis in Cabinet
O-266	Shop Manufacture	ROD, PUSH: c/o one ea of push rod, RCA part/dwg A-8835643-1; spring, RCA part/dwg A-8813732-1; rivet RCA part/dwg K-99105-154; SS rod passivating dip, beryllium copper spring white nickel pl; 5 1/2" lg x 1/2" wd x 1/2" thk o/a; material 0.062" thk; mts through slot in panel and is secured to stud on inside x 0.191" diam hole in end; spring is riveted to rod near end with 90 deg offset; RCA part/dwg A-8813733-501	Manual Release for O-267 and O-268
O-267	Shop Manufacture	PAWL ASSEMBLY: p/o dog assem; c/o one dog stop RCA part/dwg A-8835699-1, one cable stud RCA part/dwg K-85494-19, one stud RCA part/dwg A-8835660-2; rectangular w/ one end turned on 0.030" rad extending up 0.218"; 3 1/2" lg x 1 1/2" wd x 0.265" h; 1 1/2" x 1.203" mtg/c; 0.3775" diam hole 1 1/2" x 1.203" mtg/c, right side; RCA part/dwg A-8835657-501	To Secure Chassis in Servicing Positions
O-268	Shop Manufacture	PAWL ASSEMBLY: p/o dog assem; c/o one dog stop RCA part/dwg A-8835699-2, one cable stud RCA part/dwg K-85494-19, one stud RCA part/dwg A-8835660-2; rectangular w/ one end turned on 0.030" rad extending up 0.218"; 3 1/2" lg x 1 1/2" wd x 0.265" h; 1 1/2" x 1.203" mtg/c; 0.3775" diam hole 1 1/2" x 1.203" mtg/c, left side; RCA part/dwg A-8835657-502	Secures Chassis in Servicing Positions
O-269	N16-M-250606-646	MIRROR ASSEMBLY: reflects dial image upon ground glass viewing screen; c/o one mtg bkt RCA part/dwg A-8836518-1, one first surface mirror RCA part/dwg A-8836522-1, one spring assem RCA part/dwg B-456963-6, one trunion RCA part/dwg A-8836513-1, one insulator RCA part/dwg A-8823220-1, one frame RCA part/dwg A-8823219-1, one holder RCA part/dwg B-459841-501; metal parts brass, black nickel pl; 2" lg x 1 1/2" wd x 1 1/2" h o/a approx; two 0.156" diam mtg holes 1" c to c; adj screw is provided for adj angle of mirror; RCA part/dwg C-744514-501	Reflector for Optical Dial System
O-270	For Reference Only	MIRROR; shutter-proof glass; 1 1/2" lg x 1 1/2" wd x 1/2" thk; non-magnifying; temp range from -54° C to +85° C; Eastman Kodak Co; RCA part/dwg A-8836522-1	Mirror Element of O-269
O-271	Shop Manufacture	SPRING; helical compression type; detent spring; 0.032" diam music wire, cad pl; 1/2" lg x 0.140" OD; 10 turns; squared ends; mts by insertion; RH wnd; RCA part/dwg B-470448-3	Spring Loading for O-272
O-272	GM3110-100-6209	BALL, POSITIONING; SS; round, 1/2" diam; mts by insertion; RCA part/dwg K-76757-36	Detent Ball for "Reception Switch"
O-273	Shop Manufacture	SPRING; helical extension type; dog actuator; 0.035" diam music wire; cad pl; 0.187" OD x 1 1/4" lg (free lgth) o/a; approx 25 active turns; parallel hook term; term mtd; barrel shape; RCA part/dwg B-468089-2	Spring Loading for O-264, O-265
O-274	Shop Manufacture	SPRING; helical extension type; dog actuator; 0.035" diam music wire; cad pl; 0.250" OD x 1 1/2" lg (free lgth) o/a; approx 35 active turns; parallel hook term; term mtd; barrel shape; RCA part/dwg B-468089-1	Spring Loading for O-267, O-268
O-275	Shop Manufacture	MOUNTING BLOCK; for reception switch detent; brass, white nickel pl finish; rectangular block shape; 1 1/4" lg x 1/2" h x 1/2" wd o/a; one larger side has two mtg holes #6-32, 3/16" o to c; one narrow end has single hole 0.162" diam x 3/16" d, front end is enlarged to 0.1968" + 0.0006" - 0.0009" diam x 1/2" d; RCA part/dwg A-8849603-1	Retains O-271, O-272
O-276	Shop Manufacture	GEAR; rack type; SS; straight teeth; 14 1/2 deg pressure angle; 9 teeth; diametral pitch 32; 1 1/4" lg x 1/2" max h x 0.093" wd o/a; straight face; two mtg holes #6-32 tap thd spaced 0.562" c to c; pitch line parallel to mtg/c line and spaced 0.312" away; mates w/ spur gear; RCA part/dwg A-8868927-1	Actuates O-253
O-277	Not Used		
O-278	Shop Manufacture	RECEIVER, SUB-ASSEMBLY: intermediate gear for latch mechanism; c/o one gear RCA part/dwg A-8836557-1, one hub RCA part/dwg A-8836563-1, one plate RCA part/dwg M-459861-502; rectangular shape; 4 1/2" lg x 1 1/2" wd x 1 1/4" thk o/a approx; same as SNSN N16-R-33591-1334, except assembled w/ beveled side of gear on opposite side; RCA part/dwg M-459861-503	Assists in Mounting O-261
O-279 thru O-300	Not Used		
O-301	For Reference Only	Same as O-101; p/o E-308	Antenna Circuit Change
O-302	For Reference Only	Same as O-101; p/o E-308	HI/LO Antenna Impedance
O-303	For Reference Only	Same as O-104	Couplings for O-304
O-304	For Reference Only	Same as O-103	Shaft Extensions for S-301, S-302

CONTRACT NObar-52014

TABLE 8-4. TABLE OF REPLACEABLE PARTS—Continued
RADIO RECEIVING SETS AN/SRR-11, AN/SRR-12, AN/SRR-13, AN/SRR-13A

REF SYMBOL	STOCK NUMBERS SIGNAL CORPS STANDARD NAVY AIR FORCE	NAME OF PART AND DESCRIPTION	LOCATING FUNCTION
O-305 thru O-325		Not Used	
O-326		Same as O-104	Shaft Extension for S-326
O-327		Same as O-103	Coupling for O-326
O-328 thru O-350		Not Used	
O-351		Same as O-104	Shaft Extension for S-351
O-352		Same as O-103	Coupling for O-351
O-353 thru O-400		Not Used	
O-401	Shop Manufacture	SHAFT: switch actuator; c/o one coupling RCA part/dwg A-8835608-2, one shaft, RCA part/dwg A-8834081-3, one spring RCA part/dwg A-8846790-1; rectangular shape, 1 1/4" lg x 3/4" wd x 3/4" h; approx; shaft w/ one end 0.124" diam x 0.253" lg to 0.186" diam x 0.849" lg to undercut 1/4" wd x 0.010" d to 1/4" diam x 1/4" lg to 0.249" diam x 0.102" lg, coupling riveted to 0.24" diam shaft end, spring attached to same end w/ drive pin; RCA part/dwg A-8834082-503	Shaft Extension for S-401
O-402	N16-A-700001-584	ARM: switch actuating; c/o one arm RCA part/dwg B-460861-4, one pin RCA part/dwg A-8848937-5; aluminum forging arm, satin etch finish; SS pin, passivating dip finish; shaft end is rectangular w/ tongue projecting at 110 deg to form modified "L" shape; bearing end 1/4" lg ctr line x 1/4" wd x 0.250" thk; tongue 3/4" lg ctr line x 1/2" wd at end x 0.062" thk w/ pin projecting 0.233" from side, parallel to shaft hole; mts by 0.128" diam hole in shaft end, end split to provide clamping action; one corner of shaft end beveled 1/2" x 1/2"; RCA part/dwg A-8834099-503	Coupling for O-401
O-403 thru O-450		Not Used	
O-451		Same as O-251	Retains O-452
O-452	Shop Manufacture	BAR, SWITCH ACTUATING: actuates band switch; SS; comb shape; 8 1/4" lg x 1.781" wd x 0.093" thk; mts by means of three irregularly spaced unattached guide pins permitting bar to slide longitudinally; has four teeth 1/2" wd spaced 1.736", 2", 2.860" c to c; ea tooth has one 1/4" wd x 1/4" lg notch in end; 13 equally spaced teeth on edge at one end, six unequally spaced notches near center of same edge; one rectangular and one oval cut-out through body; RCA part/dwg B-456851-2	Operates "Reception Control" Switches
O-453	Shop Manufacture	BAR, SWITCH ACTUATOR: band switch drive; SS; comb shape; 11 1/2" lg x 0.593" wd x 0.093" thk; two mtg slots 0.281" lg x 0.156" wd on 0.562" mtg/c; corner cut-out on one end 1 1/4" lg x 0.156" wd; has five slots 1/2" lg x 0.156" wd spaced 0.609", 1.031", 1.969", 0.375", 1.516", 1.890" c to c; RCA part/dwg B-456854-1	Operates Band Switches
O-454		Same as O-254	Retains O-453
O-455	Shop Manufacture	CAP: scdr control cover; brass, dull black finish; 1/4" OD x 1/2" ID x 1 1/2" lg; mts by 3/4" x 32 thd, 1/4" lg; provided w/ closure spring; withstand 48-hr salt spray test; RCA part/dwg A-8824197-1	Cover for "Gain Balance" Control
O-456		Same as O-257	Actuates O-452
O-457		Same as O-258	Shaft Extension for Frequency Vernier Control
O-458		Same as O-259	Supports Panel End of O-476
O-459		Same as O-260	Assists in Mounting O-460
O-460		Same as O-261	Assists in Withdrawing Chassis from Cabinet
O-461		Same as O-262	To Secure Chassis in Cabinet
O-462		Same as O-263	To Secure Chassis in Cabinet
O-463		Same as O-264	To Secure Chassis in Cabinet

AN/SRR-11, AN/SRR-12,
AN/SRR-13, AN/SRR-13A
PARTS LIST

NAVSHIPS 91875(A)

Section 8
O-464-O-603

O-464	Same as O-265	To Secure Chassis in Cabinet
O-465	Same as O-266	Manual Release for O-466, O-467
O-466	Same as O-267	To Secure Chassis in Servicing Positions
O-467	Same as O-268	To Secure Chassis in Servicing Positions
O-468	Same as O-269	Reflector for Optical Dial System
O-469	Same as O-270	Mirror Element of O-468
O-470	Same as O-271	Spring Loads O-471
O-471	Same as O-272	Detent Ball for O-452
O-472	Same as O-273	Spring Loads O-473, O-464
O-473	Same as O-274	Spring Loads O-466, O-467
O-474	Same as O-275	Retains O-470, O-471
O-475	Same as O-276	Actuates O-453
O-476	Shop Manufacture	Shaft Extension for C-456
O-477	Shop Manufacture	Couples O-476 to C-456
O-478	Same as O-278	Assists in Mounting O-460
O-479 thru O-500	Not Used	
O-501	Same as O-101; p/o E-508	Antenna Circuit Changer
O-502	Same as O-101; p/o E-508	HI/LO Antenna Impedance
O-503	Same as O-104	Couplings for S-501, S-502
O-504	Same as O-103	Shaft Extensions for S-501, S-502
O-505 thru O-525	Not Used	
O-526	Same as O-104	Shaft Extension for S-526
O-527	Same as O-103	Coupling for O-526
O-528 thru O-550	Not Used	
O-551	Same as O-104	Shaft Extension for S-551
O-552	Same as O-103	Coupling for O-551
O-553 thru O-600	Not Used	
O-601	Same as O-401	Shaft Extension for S-601
O-602	Procured on demand by nearest Naval Shore Supply Activity	Actuates S-601
O-603	Low Failure Item-- If required requisitioned from ESO referencing NavShips 900,180A	Transfer Link, Antenna Circuit

CHANGE 1

8-61

CONTRACT NObar-52014

TABLE 8-4. TABLE OF REPLACEABLE PARTS--Continued
RADIO RECEIVING SETS AN/SRR-11, AN/SRR-12, AN/SRR-13, AN/SRR-13A

REF. SYMBOL	STOCK NUMBERS SIGNAL CORPS STANDARD NAVY AIR FORCE	NAME OF PART AND DESCRIPTION	LOCATING FUNCTION
O-604 thru O-650		Not Used	
O-651		Same as O-251	Retains O-652
O-652		Same as O-452	Operates "Reception Control" Switches
O-653		Same as O-453	Operates Band Switches
O-654		Same as O-254	Retains O-653
O-655		Same as O-455	Cover for "Gain Balance" Control
O-656		Same as O-257	Actuates O-652
O-657		Same as O-258	Shaft Extension for Frequency Vernier Control
O-658		Same as O-259	Supports Panel End of O-676
O-659		Same as O-260	Assists in Mounting O-660
O-660		Same as O-261	Assists in withdrawing Chassis from Cabinet
O-661		Same as O-262	To Secure Chassis in Cabinet
O-662		Same as O-263	To Secure Chassis in Cabinet
O-663		Same as O-264	To Secure Chassis in Cabinet
O-664		Same as O-265	To Secure Chassis in Cabinet
O-665		Same as O-266	Manual Release for O-666, O-667
O-666		Same as O-267	To Secure Chassis in Servicing Positions
O-667		Same as O-268	To Secure Chassis in Servicing Positions
O-668		Same as O-269	Reflector for Optical Dial System
O-669		Same as O-270	Mirror Element of O-668
O-670		Same as O-271	Spring Loads O-671
O-671		Same as O-272	Detent Ball for O-652
O-672		Same as O-273	Spring Loads O-663, O-664
O-673		Same as O-274	P/o Tilt Mechanism
O-674		Same as O-275	Retains O-670, O-671
O-675		Same as O-276	Actuates O-653
O-676		Same as O-476	Shaft Extension for C-656
O-677		Same as O-477	Couples O-676 to C-656
O-678		Same as O-278	Assists in Mounting O-660
O-679		Low Failure Item-- If required requisition from ESO referencing Navships 900,180A	Cover for Diversity Gain Balance Control
O-680 thru O-700		Not Used	
O-701		Same as O-103	Couplings for S-701, S-702

AN/SRR-11, AN/SRR-12,
AN/SRR-13, AN/SRR-13A
PARTS LIST

NAVSHIPS 91875(A)

Section 8
O-702—O-3601

O-702 thru O-800		Not Used			Couplings for S-801, S-802
O-801		Same as O-103			
O-802 thru O-1000		Not Used			
O-1001	Low Failure Item— If required requisition from ESO referencing NavShips 900,180A	LINK: links two term; silver pl brass; flat oblong shape: $1\frac{1}{4}$ " lg x $\frac{3}{8}$ " wd x 0.032" thk o/a; mtd by one oval-shaped hole 0.203" lg x 0.093" wd; RCA part/dwg A-8834059-2; p/o E-1001			Detent Circuit Diversity Link
O-1002		Same as O-1001; p/o E-1001			Detent Circuit Diversity Link
O-1003		Same as O-1001; p/o E-1001			Automatic Gain Control Circuit, Diversity Link
O-1004	Shop Manufacture	BUSHING: jack mtg; brass; male; $\frac{1}{2}$ " lg x 0.179" OD x 0.120" ID x 0.0345" thk x $\frac{1}{8}$ " diam o/a; mts by axial ctr hole 0.096" diam; ends are flat and parallel; RCA part/dwg K-835783-29			Assists in Mounting J-1001
O-1005		COLLAR SPACING: brass, white nickel pl finish; round cylinder shape: 0.375" lg x $\frac{3}{8}$ " diam o/a; mts by axial ctr hole 0.096" diam; ends are flat and parallel; RCA part/dwg K-817605-120			Assists in Mounting S-1001, S-1002, S-1003
O-1006		Not Used			
O-1007	Shop Manufacture	COUPLING: for switch operation on BFO chassis; cam shaped forging and round pin; aluminum, chemical treatment finish for forging, SS pin passivating dip finish; for in. oz. torque: "L" shaped; 1.01" lg x $\frac{1}{8}$ " wd x $\frac{1}{4}$ " thk o/a; mts on switch shaft at 0.125" diam hole in split sect of forging w/ 0.128" diam hole thru split ends for pin to hold shaft secure by compression; pin to be riveted securely in forging at "cam" end; RCA part/dwg A-8816321-501			Shaft for S-1001, S-1002
O-1008		Same as O-1007			Shaft for S-1003
O-1009	Shop Manufacture	STUD: brass, white nickel pl; $1\frac{1}{2}$ " lg; #2-56 thd full length; chamfer both ends; RCA part/dwg K-8852764-169			Assembles S-1001, S-1002
O-1010 thru O-1300		Not Used			
O-1301		Same as O-1007			Shaft Assembly for S-1301
O-1302 thru O-1600		Not Used			
O-1601		Same as O-101; p/o E-1601			Transfer Link, Antenna Circuit
O-1602		Same as O-101; p/o E-1610			Transfer Link, Antenna Circuit
O-1603		Not Used			
O-1604	Procured on demand by nearest Naval Shore Supply Activity	GROMMET: black synthetic rubber composition; fits $1\frac{1}{8}$ " diam hole; $1\frac{1}{4}$ " hole diam; $\frac{1}{8}$ " wd x $\frac{1}{4}$ " d groove $\frac{1}{8}$ " wd x $\frac{1}{4}$ " diam o/a; RCA part/dwg K-57421-1			Protects Wiring
O-1605		Same as O-1604			Protects Wiring
O-1606 thru O-1700		Not Used			
O-1701	Shop Manufacture	BUSHING: jack mtg; steel; male; $\frac{1}{2}$ " lg x $1\frac{1}{4}$ " OD o/a x 0.140" ID; shoulder 0.036" thk; body 0.120" lg x 0.187" OD; RCA part/dwg K-835783-30			Assists in Mounting J-1709
O-1702 thru O-1800		Not Used			
O-1801		Same as O-1701			Assists in Mounting J-1800
O-1802 thru O-3600		Not Used			
O-3601	For Reference Only	GEAR ASSEMBLY: p/o main tuning drive; scissor gear with shaft and stop; gear, brass and phosphor bronze chemical black and oil finish; shaft, SS passivating dip finish; circular gear on end of straight shaft; $1\frac{1}{2}$ " lg x 0.8957" OD gear and 0.2496" diam shaft; shaft mtg w/ triangular projection on stop circum to hold in place; taper pin all the way through stop; gear hub and shaft along diam; removable spring steel strip heat to hold movable gear in correct relation to fixed gear on hub in scissor gear assembly; #1 involute teeth 48 diametral pitch in gear; RCA part/dwg M-460862-501.			Initial Dial Drive Gear

CHANGE 1

8-63

CONTRACT NOber-52014

TABLE 8-4. TABLE OF REPLACEABLE PARTS—Continued
RADIO RECEIVING SETS AN/SRR-11, AN/SRR-12, AN/SRR-13, AN/SRR-13A

REF. SYMBOL	STOCK NUMBERS SIGNAL CORPS STANDARD NAVY AIR FORCE	NAME OF PART AND DESCRIPTION	LOCATING FUNCTION
O-3602	For Reference Only	SHAFT: for concentric bearings; SS, passivating dip finish; cylindrical shape: 2 1/4" lg x 1/4" diam, o/a approx; mid in part by 0.2511" diam; stud w/ 0.005" diam and 0.2511" diam x 1/4" to undercut 1/4" x 0.005" d o/a; diam 0.062" lg to undercut 1/4" wd x 0.062" diam x 1/4" lg, o/a undercut; 0.310" diam x 0.028" lg to 0.2498" diam x 0.985" lg to undercut 0.210" diam x 0.028" lg to 0.2498" diam x 0.066" lg with 1/4" x 45 deg chamfer on end of stud, flat 1/4" lg x 1/4" d located 1 1/4" from 0.2511" diam end; RCA part/dwg A-8842308-1	Shaft for O-3618
O-3603	For Reference Only	DIAL: used on dial assem. E-314436; c/o one dial RCA part/dwg A-46312-1, one gear RCA part/dwg F-741331-1; cylindrical shape; 2" diam x 1 1/4" o/a; mid by 0.250" diam hole in gear; marked w/ calibration marks and number from 0-100 in tenths; dial riveted to gear; RCA part/dwg A-8843836-501	Logging Dial, Fine Scale
O-3604	For Reference Only	DIAL: used on dial assem. E-314436; c/o one dial RCA part/dwg A-46310-1, one gear RCA part/dwg B-453888-1, one cam RCA part/dwg B-456231-1, one dial holder RCA part/dwg A-8820969-1; cylindrical shape; 1 1/2" lg x 3/4" diam o/a; mid by 0.500" diam hole in gear; marked w/ calibration lines and number from 0-1000 by hundredths; dial riveted to dial holder; RCA part/dwg A-8843837-501	Logging Dial, Course Scale
O-3605	For Reference Only	FOLLOWER: for dial assem.; c/o one arm, follower RCA part/dwg A-8841070-1, one bushing RCA part/dwg K-884313-12; one stud, roller RCA part/dwg A-8841071-1, one roller, follower RCA part/dwg A-8841072-1; rectangular shape; 1 1/2" lg x 1 1/2" wd x 1/4" h o/a approx; mts by 0.187" diam hole in bushing; RCA part/dwg A-8841073-501	Stops Dial at End of Scale
O-3606	Shop Manufacture	SPRING: torsion type; for dial assem.; 0.018" diam music wire, cad pl finish; 1/8" OD x 1 1/8" free length; coil spring style 30 turns; RH wind; one end hook type term, other end eye type term, indexed 90 deg; RCA part/dwg B-456881-2	Secures Free End of O-3608
O-3607	For Reference Only	SPRING, EXTENSION: helical extension type; for follower assem.; 0.015" diam music wire cad pl finish; 1 1/8" free length 0.171" OD x 0.100" ID; 23 turns; parallel hook term; circular shaped loops at ends 1/2" circum of circle 1/2" OD; mts by end loops, ctrs 1/4" min from coil terms; max load 0.6 lb, min load 0.4 lb; RCA part/dwg B-458190-2	Secures Free End of O-3605
O-3608	N17-A-999999-0044	ARM, LENS ASSEMBLY: used on dial assem. E-314436; c/o one lens arm RCA part/dwg T-628730-1, one slide assem. RCA part/dwg A-8834737-501, one lens projection RCA part/dwg A-8832303-1, one lens assem. RCA part/dwg A-8832305-501, one bkt assem. RCA part/dwg A-8821404-501, one cover RCA part/dwg A-8821403-1, one cover RCA part/dwg B-456248-1, one bkt assem. RCA part/dwg A-8821404-502, two lamps RCA part/dwg K-61114-12; one lampholder RCA part/dwg M-458193-501, one lampholder RCA part/dwg M-458193-502; rectangular shape; 5 1/2" lg x 1 1/2" wd x 2 1/4" h o/a approx; RCA part/dwg A-8848529-501	Light Source for Optical Dial System
O-3609	For Reference Only	GEAR, ASSEMBLY: gear for dial assem.; c/o one spur gear 0.6666" OD, two spur gears 1.2916" OD, two springs; spur gear, 0.6666" OD bronze; two spur gears, 1.2916" OD brass, springs, steel, chemical black and oil finish except 0.2500" dial hole; cylindrical shape: 1.2916" OD x 0.500" lg o/a; mts by 0.2500" diam hole in hub; one end w/ spur gear 0.6666" OD x 0.125" wd teeth, 48 pitch, 0.6250" PD ctb 1/4" ID x 0.062" wd; to 1 1/4" diam x 1/4" wd to one spur gear 1.2916" OD x 0.043" thk to 0.015" separation between gear sections to one spur gear 1.2916" OD x 0.0403" thk to 1 1/4" diam x 1/4" lg to 0.312" diam x 0.059" lg; two spur gears 1.2916" OD, 48 pitch, 60 teeth, 1.2500" PD, have scissor action provided by two springs and staked to body; 0.2500" diam hole full length of hub; RCA part/dwg C-742436-1	Reduction Gear Between O-3618 and O-3617
O-3610	For Reference Only	STUD: SS, passivating dip finish; 2 1/2" lg, two shoulders, 0.2498" diam of shoulder under head 0.1872" diam of other shoulder; one end thd 0.156" lg w/ #8-32 thd; 1/4" wd x 0.008" d undercut between head and shoulder and also between shoulders; RCA part/dwg A-8849689-1	Mounts O-3609
O-3611	For Reference Only	GEAR: spur type; SS, passivating dip finish; shaft driving; straight teeth; 36 teeth; 48 pitch 0.7500" PD; 0.7916" OD, 0.125" thk; straight face; hub, strands 0.015" beyond face of gear, 1/4" diam, mid by 0.2496" diam shaft, 1 1/2" lg; RCA part/dwg A-8899843-1	Drives O-3604
O-3612	For Reference Only	GEAR ASSEMBLY: gear for dial assem.; c/o one hub and two spur gears and two springs; gear and hub brass, spring steel; cylindrical shape, 1.250" OD, 1 1/2" lg, o/a; mts by 0.2500" diam hole in hub; one end w/ hub 1/2" diam x 1 1/2" lg, to one spur gear 2.1250" diam x 0.043" thk; gears are staked to hub; hub w/ 0.2500" diam hole full length of hub; two #6-32 tapped holes 90 deg apart 1/2" from left-hand side of hub; gears have scissor action provided by two springs; two spur gears 2.1250" OD; 400 teeth, 2.0653" PD, straight teeth; RCA part/dwg B-453877-2	Reduces Backlash Drive from O-3603 to O-3611 and O-3617
O-3613	Shop Manufacture	FOLLOWER: for dial assem.; SS, passivating dip finish; cylindrical shape; 2.519" lg x 0.1235" diam o/a; mts in 0.125" diam hole; 1/2" spherical rad on both ends; RCA part/dwg A-8834066-1	Linkage Between O-3616 and O-3608
O-3614	Shop Manufacture	ECCENTRIC: pivot for lens arm assem.; SS w/ chemical black finish on plate and passivating dip on eccentric; 2.875" lg x 1.156" diam o/a; mid in bronze bushing by 0.3748" diam; 0.093" wd x 60 deg arc slot in plate; RCA part/dwg A-8849696-502	Displaces O-3608 for Calibration Adjustment

Part Number	Description	Shop Manufacture	Notes
O-3615	Shifts "Normal"/"Space" Lamp Positions	Shop Manufacture	
O-3616	Actuates O-3613 and Band System	For Reference Only	
O-3617	Drives O-3609	For Reference Only	
O-3618	Provides Projection Dial Scale Markings	N16-S-117101-793	
O-3619	Actuates S-3601	N17-A-25801-1048	
O-3620	Couples O-3618 to C-251	For Replacement Use N17-C-98372-4537	
O-3621	Element of Optical Lens	N16-L-288001-110	
O-3622	Element of Optical Lens System	N17-L-240023-551	
O-3623	Detent for O-3627	GM3110-100-6210	
O-3624	Spring Loads O-3623	Shop Manufacture	
O-3625	Guide Pin for O-3608	Shop Manufacture	
O-3626	Assists in Adjustment of Projection Lamps	Shop Manufacture	
O-3627	Supports Projection Lamps	Shop Manufacture	
O-3628	Replacement Only for Dial Gear Train Assembly on AN/SRR-11	N16-R-33591-1378	
O-3629 thru O-3700	Initial Drive Gear	Assemble from Component Parts	
O-3701			

CONTRACT NObar-52014

TABLE 8-4. TABLE OF REPLACEABLE PARTS—Continued
RADIO RECEIVING SETS AN/SRR-11, AN/SRR-12, AN/SRR-13, AN/SRR-13A

REF. SYMBOL	STOCK NUMBERS SIGNAL CORPS STANDARD NAVY AIR FORCE	NAME OF PART AND DESCRIPTION	LOCATING FUNCTION
O-3702		Same as O-3602	Shaft for O-3718
O-3703	Shop Manufacture	DIAL: used on dial assem E-314436; c/o one dial RCA part/dwg A-46312-1, one gear RCA part/dwg P-740389-2, cylindrical shape; 2" diam x 1" lg o/a; mts by 0.250" diam hole in gear; marked w/ calibration marks and number from 0-100 in tenths; dial riveted to gear; RCA part/dwg A-8843836-302	Logging Dial, Fine Scale
O-3704	Shop Manufacture	DIAL: used on dial assem E-314436; c/o one dial RCA part/dwg A-46310-1, one gear RCA part/dwg B-453888-1, one cam RCA part/dwg B-456231-2, one dial holder RCA part/dwg A-8820969-1; cylindrical shape; 1 1/2" lg x 3/4" diam o/a; mts by 0.500" diam hole in gear; marked w/ calibration marks and number from 0-1000 by hundredths; dial riveted to dial holder; RCA part/dwg A-8843837-502	Logging Dial, Coarse Scale
O-3705		Same as O-3605	Stops Dial at End of Scale
O-3706		Same as O-3606	Secures Free End of O-3708
O-3707		Same as O-3607	Secures Free End of O-3705
O-3708	Shop Manufacture	ARM, LENS ASSEMBLY: to adjust optical system; c/o one lens arm RCA part/dwg T-628730-1, one slide assem RCA part/dwg A-8834737-501, one lens projection RCA part/dwg A-8832303-1, one lens assem RCA part/dwg A-8832305-501, one bkt assem RCA part/dwg A-8821404-501, one bkt assem RCA part/dwg A-8821404-502, one cover RCA part/dwg A-8821403-2, two lamps RCA part/dwg K-61114-12, one lamp holder RCA part/dwg M-458193-501, one lamp holder RCA part/dwg M-458193-502; rectangular shape; 5 1/2" lg x 1 1/8" wd x 2 1/8" h o/a approx; RCA part/dwg A-88438529-502	Light Source for Optical Dial System
O-3709		Same as O-3609	Reduction Gear Between O-3718 and O-3717
O-3710		Same as O-3610	Mounts O-3709
O-3711		Same as O-3611	Drives O-3704
O-3712		Same as O-3612	Reduces Backlash, Drive from O-3703 to O-3711 and O-3717
O-3713		Same as O-3613	Linkage Between O-3716 and O-3708
O-3714		Same as O-3614	Displaces O-3708 for Calibration Adjustment
O-3715		Same as O-3615	Shifts "Normal"/"Spare" Lamp Positions
O-3716		Same as O-3616	Actuates O-3713 and Band Switch Systems
O-3717		Same as O-3617	Drives O-3709
O-3718	N16-S-117101-794	DIAL: optical projection tuning dial; metal gear, glass dial; cylindrical shape; 3.812" diam x 0.656" wd x 0.250 deg ID o/a approx; mtd 1/4" shaft hole through hub; marked w/ calibrations in tenths; band no 1, 0.250 to 0.500; band no 2, 0.500 to 1.000; band no 3, 1.00 to 2.00; band no 4, 2.00 to 4.00; band no 5, 4.00 to 8.00; spring loaded scissor gear; RCA part/dwg B-455040-2	Provides Projection Dial Scale Markings
O-3719		Same as O-3619	Actuates S-3701
O-3720	N17-C-98372-4537	COUPLING, FLEXIBLE: couples dial scale and capacitor shaft; principal parts c/o one plate, one bellows one hub; rectangular shape; 1 1/4" lg x 3/4" wd x 0.536" thk o/a; mts by two 0.147" diam holes on 1.250" mtg/c; shall withstand up to 48 in. oz torque; couples shaft by two #6-32 set screws; RCA part/dwg A-8864583-501	Couples O-3718 to C-451
O-3721		Same as O-3621; p/o O-3708	Element of Optical Lens System
O-3722		Same as O-3622; p/o O-3708	Element of Optical Lens System
O-3723		Same as O-3623; p/o O-3708	Detent for O-3727
O-3724		Same as O-3624; p/o O-3708	Spring Loads O-3723
O-3725		Same as O-3625; p/o O-3708	Guide Pin for O-3708
O-3726		Same as O-3626; p/o O-3708	Assists in Adjustment of Projection Lamps
O-3727		Same as O-3627; p/o O-3708	Supports Projection Lamps

Part Number	Part Description	Notes	Replacement Use
O-3728	Replacement Only for Dial Gear Train Assembly on AN/SRR-12		N16-R-33591-1475
O-3729 thru O-3800		Not Used	
O-3801	Initial Dial Drive Gear	RECEIVER, SUB-ASSEMBLY: principal parts c/o one panel, one master dial gear train (less all electrical parts, band change gearing, lens assembly, all knobs); aluminum alloy panel, Navy gray finish; freq range 5 bands; band #1, 0.25 mc to 0.5 mc, band #2, 0.5 mc to 1.0 mc, band #3, 1.0 mc to 2.0 mc, band #4, 2.0 mc to 4.0 mc and band #5, 4.0 mc to 8.0 mc; 7.437" lg x 6.437" wd x 3.3/8" thk o/s; six 0.218" diam mtg holes spaced 3/4" from ea side and on 6 1/2" x 5 1/2" x 4" x 1.437" x 2.637" mtg/c; RCA part/dwg A-8848521-505	
O-3802	Shaft for O-3818	GEAR ASSEMBLY: p/o main tuning drive; spur gear w/ shaft and stop; phosphor bronze gear chemical black and oil finish; S5 shaft, passivating dip finish; circular gear on end of straight shaft; 1 1/2" lg x 0.4166" OD gear and 0.2496" diam shaft; shaft mtg w/ triangular projection on stop end in to hole in place; taper pin all the way through stop; gear hub and shaft along diam; 18 involute teeth 48 diametral pitch on gear; RCA part/dwg M-460862-503	
O-3803	Logging Dial, Fine Scale	Same as O-3602	
O-3804	Logging Dial, Coarse Scale	DIAL: used on dial assem E-314436; e/o one dial RCA part/dwg A-46312-1, one gear RCA part/dwg P-740389-1; cylindrical shape; 2" diam x 1" lg o/s; mts by 0.250" diam hole in gear; marked w/ calibration marks and number from 0-100 in tenths; dial riveted to gear; RCA part/dwg A-884836-503	
O-3805	Stops Dial at End of Scale	DIAL: used on dial assem E-314436; e/o one dial RCA part/dwg A-46310-1, one gear RCA part/dwg B-453888-1, one cam RCA part/dwg B-456231-3, one dial holder RCA part/dwg A-8820969-1; cylindrical shape; 1/2" lg x 3/8" diam o/s; mts by 0.500" diam hole in gear; marked w/ calibration marks and number from 0-1000 by hundredths; dial riveted to dial holder; RCA part/dwg A-8849837-503	
O-3806	Secures Free End of O-3808	Same as O-3605	
O-3807	Secures Free End of O-3805	Same as O-3606	
O-3808	Light Source for Optical Dial System	Same as O-3607	
O-3809	Reduction Gear Between O-3818 and O-3817	ARM, LENS ASSEMBLY: to adjust optical system; e/o one lens arm RCA part/dwg T-628730-1, one slide assem RCA part/dwg A-8834737-501, one lens projection RCA part/dwg A-8832303-1, one lens assem RCA part/dwg A-8832305-501, one bkt assem RCA part/dwg A-8821404-501, one bkt assem RCA part/dwg A-8821404-502, one cover RCA part/dwg A-8821403-3, two lamps RCA part/dwg K-61114-12, one lamp holder RCA part/dwg M-458193-501, one lamp holder RCA part/dwg M-458193-502; rectangular shape; 5 1/2" lg x 1 1/8" wd x 2 1/8" h o/s approx; RCA part/dwg A-8848529-503	
O-3810	Mounts O-3809	Same as O-3609	
O-3811	Drives O-3804	Same as O-3610	
O-3812	Reduces Backlash, Drive from O-3803 to O-3811 and O-3817	Same as O-3611	
O-3813	Linkage Between O-3816 and O-3808	Same as O-3612	
O-3814	Displaces O-3808 for Calibration Adjustment	Same as O-3613	
O-3815	Shifts "Normal"/"Space" Lamp Positions	Same as O-3614	
O-3816	Actuates O-3813 and Band Switch System	Same as O-3615	
O-3817	Drives O-3809	Same as O-3616	
O-3818	Provides Projection Dial Scale Markings	Same as O-3617	N16-S-117101-795
O-3819	Actuates S-3801	DIAL: optical projection tuning dial; metal gear, glass dial; cylindrical shape; 3.812" diam x 0.656" wd x 0.250" ID o/a approx; mtd by 1/2" diam shaft hole through hub; marked w/ calibration in tenths; band no 1, 2.00 to 4.00, band no 2, 4.00 to 8.00, band no 3, 8.00 to 16.00, band no 4, 16.00 to 24.0, band no 5, 24.0 to 32.0; spring loaded scissor gear; RCA part/dwg B-455040-3	
O-3820	Couples O-3818 to C-651	Same as O-3619	
O-3821	Element of Optical Lens System	Same as O-3720	
O-3822	Element of Optical Lens System	Same as O-3621; p/o O-3808	
O-3823	Detent for O-3827	Same as O-3622; p/o O-3808	
O-3824	Spring Loads O-3823	Same as O-3623; p/o O-3808	
O-3825	Guide Pin for O-3808	Same as O-3624; p/o O-3808	
O-3826	Assists in Adjustment of Projection Lamps	Same as O-3625; p/o O-3808	
O-3827	Supports Projection Lamps	Same as O-3626; p/o O-3808	

CONTRACT NObsr-52014

TABLE 8-4. TABLE OF REPLACEABLE PARTS—Continued
RADIO RECEIVING SETS AN/SRR-11, AN/SRR-12, AN/SRR-13, AN/SRR-13A

REF SYMBOL	STOCK NUMBERS SIGNAL CORPS STANDARD NAVY AIR FORCE	NAME OF PART AND DESCRIPTION	LOCATING FUNCTION
O-3828	N16-R-33591-1474	RECEIVER, SUB-ASSEMBLY; main tuning panel; principal parts c/o one panel, one master dial gear train (less all electrical parts), band changing gears, lens assembly, all dials; freq range 5 bands: band #1, 2.0 mc to 4.0 mc; band #2, 4.0 mc to 8.0 mc; band #3, 8.0 mc to 16.0 mc; band #4, 16.0 mc to 24.0 mc; band #5, 24.0 mc to 32.0 mc; 1.437" lg, 0.137" w; 3/4" x 2" x 3/4" x 2" x 1.437" x 2.937" mg/c; RCA part/dwg A-8848521-506 spaced 3/4" from ea side and on 6 1/2" x 3 1/2" x 3 1/2" x 2" x 1.437" x 2.937" mg/c; RCA part/dwg A-8848521-506	Replacement Only for Dial Gear Train Assembly on AN/SRR-13
R-101	For Replacement Use N16-R-50011-438	RESISTOR, FIXED; comp; MIL type RC20CF222K; 2200 ohms p/m 10%; 1/4 w; F characteristic; 0.375" lg x 0.138" diam less term; ins, RSW and humidity; two axial wire lead type term, 1.5" lg x 0.028" diam; spec MIL-R-11A; RCA part/dwg C-722320-66	Antenna Input Divider, T-101
R-102	For Replacement Use N16-R-49939-271	RESISTOR, FIXED; comp; JAN type RC20BF122K; 1200 ohms p/m 10%; 1/4 w; BF characteristic; 0.406" lg x 0.175" diam; ins, RSW and humidity; two axial wire lead term; RCA part/dwg P-722318-63	Antenna Input Divider, T-102
R-103	For Replacement Use N16-R-49768-438	RESISTOR, FIXED; comp; JAN type RC20BF471K; 470 ohms p/m 10%; 1/4 w; BF characteristic; 0.406" lg x 0.175" diam; ins, RSW and humidity; two axial wire lead term; RCA part/dwg P-722318-58	Antenna Input Divider, T-103
R-104	For Replacement Use N16-R-49660-438	RESISTOR, FIXED; comp; JAN type RC20BF221K; 220 ohms p/m 10%; 1/4 w; BF characteristic; 0.406" lg x 0.175" diam; ins, RSW and humidity; two axial wire lead term; RCA part/dwg P-722318-54	Antenna Input Divider, T-104
R-105	N16-R-49598-811	RESISTOR, FIXED; comp; JAN type RC20BF121K; 120 ohms p/m 10%; 1/4 w; BF characteristic; 0.406" lg x 0.175" diam; ins, RSW and humidity; two axial wire lead term; RCA part/dwg P-722318-51	Antenna Input Bleeder, Type I Antenna Unit
R-106	For Replacement Use N16-R-51064-435	RESISTOR, FIXED; comp; JAN type RC20BF225K; 2.2 meg p/m 10%; 1/4 w; BF characteristic; 0.406" lg x 0.175" diam; ins, RSW and humidity; two axial wire lead term; RCA part/dwg P-722318-102	Grid for V-101
R-107	For Replacement Use N16-R-50632-416	RESISTOR, FIXED; comp; JAN type RC20BF104K; 100,000 ohms p/m 10%; 1/4 w; BF characteristic; 0.406" lg x 0.175" diam; ins, RSW and humidity; two axial wire lead term; RCA part/dwg P-722318-86	Cathode for V-101
R-108	For Replacement Use N16-R-49687-321	RESISTOR, FIXED; comp; JAN type RC20BF271J; 270 ohms p/m 5%; 1/4 w; BF characteristic; 0.406" lg x 0.175" diam; ins, RSW and humidity; two axial wire lead term; RCA part/dwg P-722318-145	Screen Decoupling for V-101
R-109	For Replacement Use N16-R-50128-438	RESISTOR, FIXED; comp; MIL type RC20GF472K; 4700 ohms p/m 10%; 1/4 w; F characteristic; 0.375" lg x 0.138" diam less term; ins, RSW and humidity; two axial wire lead type term, 1.5" lg x 0.028" diam; color coded; spec MIL-R-11A; RCA part/dwg C-722320-70	Grid Bias for V-126
R-110 thru R-125		Not Used	Cathode Resistor, V-126
R-126		Same as R-107	Screen Decoupling Resistor, V-126
R-127		Same as R-108; p/o Z-126	Bias Network, V-126
R-128		Same as R-109; p/o Z-126	Bias Return, V-126
R-129	For Replacement Use N16-R-50479-435	RESISTOR, FIXED; comp; JAN type RC20BF473K; 47,000 ohms p/m 10%; 1/4 w; BF characteristic; 0.406" lg x 0.175" diam; ins, RSW and humidity; two axial wire lead term; spec JAN-R-11; RCA part/dwg P-722318-82	Voltage Divider Manual Gain Control
R-130	For Replacement Use N16-R-50551-401	RESISTOR, FIXED; comp; JAN type RC20BF683K; 68,000 ohms p/m 10%; 1/4 w; BF characteristic; 0.406" lg x 0.175" diam; ins, RSW and humidity; two axial wire lead term; spec JAN-R-11; RCA part/dwg P-722318-84	Loading Resistor, T-153 Primary
R-131	For Replacement Use N16-R-50587-435	RESISTOR, FIXED; comp; MIL type RC20BF823K; 82,000 ohms p/m 10%; 1/4 w; BF characteristic; 0.375" lg x 0.138" diam less term; ins, resistant to humidity and salt water immersion; two axial wire lead type term, 1.5" lg x 0.028" diam; color coded; spec MIL-R-11A; RCA part/dwg C-722318-85	Loading Resistor, T-154 Primary
R-132 thru R-150		Not Used	
R-151	For Replacement Use N16-R-49579-131	RESISTOR, FIXED; comp; JAN type RC20BF101K; 100 ohms p/m 10%; 1/4 w; F characteristic; 0.406" lg x 0.175" diam; ins, RSW and humidity; two axial wire lead term, #21 AWG 1/4" lg; spec JAN-R-11; RCA part/dwg P-722318-50	
R-152		Same as R-103	

AN/SRR-11, AN/SRR-12,
AN/SRR-13, AN/SRR-13A
PARTS LIST

NAVSHIPS 91875(A)

Section 8
R-153-R-258

R-153	For Replacement Use N16-R-49688-811	RESISTOR, FIXED: comp; MIL type RC20BF271K; 270 ohms p/m 10%; 1/4" w; F characteristic; 0.375" lg x 0.138" diam less term; ins, RSW and humidity; two axial wire lead type term, 1.5" lg x 0.028" diam; color coded; spec MIL-R-11A; RCA part/dwg C-722318-55	Cathode Resistor, V-1001
R-154	For Replacement Use N16-R-50398-131	RESISTOR, FIXED: comp; JAN type RC20BF273K; 27,000 ohms p/m 10%; 1/4" w; BF characteristic; 0.406" lg x 0.175" diam; ins, RSW and humidity; two axial wire lead term; spec JAN-R-11; RCA part/dwg P-722318-79; p/o Z-151	#3 Grid Leak, V-151
R-155	For Replacement Use N16-R-49768-438	RESISTOR, FIXED: comp; JAN type RC20BF471J; 470 ohms p/m 5%; 1/4" w; BF characteristic; 0.406" lg x 0.175" diam; ins, RSW and humidity; two axial wire lead term; spec JAN-R-11; RCA part/dwg P-722318-151	Cathode Resistor, V-151
R-156		Same as R-101; p/o Z-151	Screen Decoupling Resistor, V-151
R-157 thru R-200		Not Used	
R-201	For Replacement Use N16-R-50416-435	RESISTOR, FIXED: comp; JAN type RC20BF333K; 33,000 ohms p/m 10%; 1/4" w; BF characteristic; 0.406" lg x 0.175" diam; ins, RSW and humidity; two axial wire lead term; spec JAN-R-11; RCA part/dwg P-722318-90; p/o Z-201	Grid Resistor, V-204
R-202		Same as R-101; p/o Z-201	Cathode Resistor, V-201
R-203		Same as R-101; p/o Z-201	Plate Supply Decoupling, V-201
R-204	N16-R-50822-811	RESISTOR, FIXED: comp; JAN type RC20BF474K; 470,000 ohms p/m 10%; 1/4" w; BF characteristic; 0.406" lg x 0.175" diam; ins, RSW and humidity; two axial wire lead term; spec JAN-R-11; RCA part/dwg P-722318-94	Screen Dropping, V-201
R-205		Same as R-154; p/o Z-201	Plate Load, V-201
R-206 thru R-250		Not Used	
R-251	N16-R-88919-1361	RESISTOR, VARIABLE: comp; two sect, 10,000 ohms p/m 20% ea sect; 2 w; three solder lug term ea sect; enclosed plastic case 1 1/4" diam x 1 1/4" lg; round metal shaft 1/4" diam x 1/4" lg; panel unit, 26% resistance at 35% rotation, 10% resistance at 50% rotation, 3% resistance at 65% rotation; rear unit, 30% resistance at 35% rotation, 50% resistance at 50% rotation, 70% resistance at 65% rotation; ins cont arm; w/o off position; normal torque; mtg bushing 1/4"-32 x 1/4" lg; non-turn device located on 1/4" rad at 3 o'clock; RSW; oper temp range -55° C to +85° C; marked w/ RCA part/dwg # 900 v test between term and mtg bushing; fungus proofed; AB type JJBUI032, P3048; RCA part/dwg P-737807-23	"RF Gain" (Manual) Control
R-251A		P/o R-251	
R-251B		P/o R-251	
R-252		Same as R-130	Leg of Voltage Divider to R-251
R-253	For Replacement Use N16-R-49462-438	RESISTOR, FIXED: comp; JAN type RC20BF560J; 56 ohms p/m 5%; 1/4" w; BF characteristic; 0.406" max lg x 0.175" max diam; ins, resistant to humidity and salt water; two axial wire lead terms, 1 1/2" lg AWG #21; color coded; spec JAN-R-11; RCA part/dwg C-722318-129	Multiplier for M-251
R-254	For Replacement Use N16-R-50092-438	RESISTOR, FIXED: comp; JAN type RC20BF392J; 3900 ohms p/m 5%; 1/4" w; F characteristic; 0.406" lg x 0.175" diam; ins, RSW and humidity; two axial wire leads, #21 AWG 1 1/2" lg; spec JAN-R-11; RCA part/dwg P-722318-173	"+10 Db" Multiplier for M-252
R-255	For Replacement Use N16-R-49939-271	RESISTOR, FIXED: comp; JAN type RC20BF122J; 1200 ohms p/m 5%; 1/4" w; BF characteristic; 0.406" lg x 0.175" diam; ins, RSW and humidity; two axial wire lead term; spec JAN-R-11; RCA part/dwg P-722318-161	"0 Db" Multiplier for M-252
R-256		Not Used	"Output" Control
R-257	N16-R-89219-1001	RESISTOR, VARIABLE: comp; two sect, 1 meg p/m 10%; 100,000 ohms p/m 20%; 2 w; three solder lug term ea sect; enclosed plastic case 1 1/4" diam x 1 1/4" lg; round metal shaft 1/4" diam x 1/4" lg; 2% resistance at 35% rotation, 10% resistance at 50% rotation, 26% resistance at 65% rotation; ins cont arm, w/o off position; normal torque; mtg bushing 1/4"-32 x 1/4" lg; non-turn device located on 1/4" rad at 3 o'clock; RSW; oper temp range -55° C to +100° C; marked w/ RCA part/dwg # 900 v test between term and mtg bushing; fungus proofed; AB Type JA1051, 1042, P3048; RCA part/dwg P-737807-22	Headphone Level Control
R-257A		P/o R-257	
R-257B		P/o R-257	
R-258	N16-R-87862-5365	RESISTOR, VARIABLE: comp; 50,000 ohms p/m 20%; 2 w; three solder lug term; enclosed plastic case w/ metal cover, 1 1/4" diam x 1 1/4" d; round metal shaft 1/4" diam x 1/4" lg; ins mtg surface; counterclockwise L O G "B"; 35% resistance at 35% rotation, 10% resistance at 50% rotation, 3% resistance at 65% rotation; ins cont arm; normal torque; 1/4"-32 x 1/4" lg mtg bushing; non-turn device located on 1/4" rad at 3 o'clock; oper temp range -50° C to +100° C; will withstand 1000 v between term and mtg bushing for 1 min; and 100-hr salt spray; term hot tin dipped, marked w/ RCA part/dwg; will withstand acceleration of 8G; AB Type JB5032, P3048; RCA part/dwg C-743461-29	

TABLE 8-4. TABLE OF REPLACEABLE PARTS—Continued
RADIO RECEIVING SETS AN/SRR-11, AN/SRR-12, AN/SRR-13, AN/SRR-13A

REF SYMBOL	STOCK NUMBERS SIGNAL CORPS STANDARD NAVY AIR FORCE	NAME OF PART AND DESCRIPTION	LOCATING FUNCTION
R-259		Same as R-102	Headphone Circuit Termination
R-260	For Replacement Use N16-R-50308-438	RESISTOR, FIXED; comp; JAN type RC20BF123J; 12,000 ohms p/m 5%; 1/4 w; BF characteristic; 0.406" lg x 0.175" diam; ins, RSW and humidity; two axial wire lead term; spec JAN-R-11; RCA part/dwg P-722318-185	"-4-20 Db" Multiplier for M-252
R-261 R-262		Not Used	
R-263	For Reference Only	P/o X-251 (not replaceable)	Neon Bulb Current Limiting
R-264	For Replacement Use N16-R-49822-438	RESISTOR, FIXED; comp; JAN type RC20BF621J; 620 ohms p/m 5%; 1/4 w; F characteristic; 0.406" lg x 0.175" diam; ins, RSW and humidity; two axial wire leads, #21 AWG 1/4" lg; spec JAN-R-11; RCA part/dwg P-722318-134	Multiplier for M-252
R-265 thru R-300		Not Used	
R-301	For Replacement Use N16-R-50650-390	RESISTOR, FIXED; comp; JAN type RC20BF124K; 120,000 ohms p/m 10%; 1/4 w; BF characteristic; 0.406" lg x 0.175" diam; ins, RSW and humidity; two axial wire lead term; spec JAN-R-11; RCA part/dwg P-722318-87	Automatic Gain Control Decoupling, V-301
R-302	For Replacement Use N16-R-49642-436	RESISTOR, FIXED; comp; JAN type RC20BF181J; 180 ohms p/m 5%; 1/4 w; BF characteristic; 0.406" lg x 0.175" diam; ins, RSW and humidity; two axial wire lead term; spec JAN-R-11; RCA part/dwg P-722318-141; p/o Z-301	Cathode Resistor, V-301
R-303		Same as R-101; p/o Z-301	Screen Decoupling
R-304	For Replacement Use N16-R-49705-321	RESISTOR, FIXED; comp; JAN type RC20BF331K; 330 ohms p/m 10%; 1/4 w; F characteristic; 0.406" lg x 0.175" diam; ins, RSW and humidity; two axial wire lead term, #21 AWG 1/4" lg; spec JAN-R-11; RCA part/dwg P-722318-56	With C-322, Antenna Isolation
R-305 thru R-325		Not Used	
R-326	For Replacement Use N16-R-51280-438	RESISTOR, FIXED; comp; JAN type RC20BF825J; 8.2 meg p/m 5%; 1/4 w; BF characteristic; 0.406" lg x 0.175" diam; ins, RSW and humidity; two axial wire lead term, spec JAN-R-11; RCA part/dwg P-722318-253	Secondary Loading, T-326
R-327		Same as R-301	Automatic Gain Control Decoupling, V-326
R-328		Same as R-302; p/o Z-326	Cathode Resistor, V-326
R-329		Same as R-101; p/o Z-326	Screen Decoupling, V-326
R-330 thru R-350		Not Used	
R-351	For Replacement Use N16-R-50713-380	RESISTOR, FIXED; comp; JAN type RC20BF224J; 220,000 ohms p/m 5%; 1/4 w; BF characteristic; 0.406" lg x 0.175" diam; ins, RSW and humidity; two axial wire lead term; spec JAN-R-11; RCA part/dwg P-722318-215	Secondary Loading, T-351
R-352		Same as R-204; p/o Z-351	#1 Grid Leak, V-351
R-353	For Replacement Use N16-R-50479-435	RESISTOR, FIXED; comp; JAN type RC20BF473J; 47,000 ohms p/m 5%; 1/4 w; BF characteristic; 0.406" lg x 0.175" diam; ins, RSW and humidity; two axial wire lead term, spec JAN-R-11; RCA part/dwg P-722318-199; p/o Z-351	#3 Grid Leak, V-351
R-354	For Replacement Use N16-R-49840-435	RESISTOR, FIXED; comp; JAN type RC20BF681J; 680 ohms p/m 5%; 1/4 w; F characteristic; 0.406" lg x 0.175" diam; ins, RSW and humidity; two axial wire leads, #21 AWG 1/4" lg; spec JAN-R-11; RCA part/dwg P-722318-155; p/o Z-351	Cathode Resistor, V-351
R-355		Same as R-101; p/o Z-351	Screen Decoupling, V-351
R-356		Same as R-204; p/o Z-351	Grid Leak, V-352
R-357		Same as R-155; p/o Z-351	Cathode Load, V-352
R-358		Same as R-101; p/o Z-351	Plate Decoupling, V-352

Part Number	Description	Notes	Replacement Use	Notes	Notes
R-359 thru R-400					
R-401	Cathode Resistor, V-401, Band 1	Not Used	For Replacement Use N16-R-50011-438		
R-402	Cathode Resistor, V-401, Band 2	RESISTOR, FIXED: comp; JAN type RC20BF222J; 2200 ohms p/m 5%; 1/4" w; BF characteristic; 0.406" lg x 0.175" diam; ins, RSW and humidity; two axial wire lead term; spec JAN-R-11; RCA part/dwg C-722318-167	For Replacement Use N16-R-49966-433		
R-403	Cathode Resistor, V-401, Band 3	RESISTOR, FIXED: comp; MIL type RC20BF152J; 1500 ohms p/m 5%; 1/4" w; BF characteristic; 0.375" lg x 0.138" diam less term; ins, RSW and humidity; two axial wire lead type term, 1.5" lg x 0.025" diam; color coded; spec MIL-R-11A; RCA part/dwg C-722318-163	For Replacement Use N16-R-49705-321		
R-404	Cathode Resistor, V-401, Band 4	RESISTOR, FIXED: comp; JAN type RC20BF331J; 330 ohms p/m 5%; 1/4" w; BF characteristic; 0.406" lg x 0.175" diam; ins, RSW and humidity; two axial wire lead term; spec JAN-R-11; RCA part/dwg C-722318-147	For Replacement Use N16-R-49597-438		
R-405	Grid Leak, V-401	RESISTOR, FIXED: comp; MIL type RC20GF393K; 39,000 ohms p/m 10%; 1/4" w; F characteristic; 0.375" lg x 0.138" diam less term; ins, resistant to humidity and temp conditions; two axial wire lead type term; 70° C max ambient temp for full load oper; 350 v RMS max working voltage; color coded; spec MIL-R-11A; RCA part/dwg C-722320-81	For Replacement Use N16-R-50443-438		
R-406	Screen Decoupling, V-401	Same as R-101; p/o Z-401			
R-407	Plate Load, V-401	RESISTOR, FIXED: comp; MIL type RC20GF472J; 4700 ohms p/m 5%; 1/4" w; F characteristic; 0.375" lg x 0.138" diam less term; ins, resistant to humidity and temp conditions; two axial wire lead type term; 70° C max ambient temp for full load oper; 350 v RMS max working voltage; color coded; spec MIL-R-11A; RCA part/dwg C-722320-175; p/o Z-407	N16-R-50128-438		
R-408	Plate Supply Decoupling, V-401	Not Used			
R-409 thru R-450		Same as R-251			
R-451	"RF Gain" (Manual) Control	P/o R-451			
R-451A		P/o R-451			
R-451B		P/o R-451			
R-452	Diversity Gain Balance Adjustment	RESISTOR, VARIABLE: comp; 500 ohms p/m 20%; 2 w; three solder lug term; enclosed metal case 1 1/4" diam x 1/2" d; slotted metal shaft, 1/4" diam x 1/2" lg from mtg surface; linear taper; ins cont arm, w/o off position; normal torque: 1/4" x 3/4" lg mtg bushing, non-turn device located on 1/4" rad at 3 o'clock; 100-lr salt spray; term hot tin dipped; marked w/ RCA part/dwg #: will withstand acceleration of 8G; AB Type JU5012, SD3032; RCA part/dwg C-743461-26	For Replacement Use N16-R-57189-4340		
R-453	Multiplier for M-451	RESISTOR, FIXED: comp; JAN type RC20BF223J; 22,000 ohms p/m 5%; 1/4" w; BF characteristic; 0.406" lg x 0.175" diam; ins, RSW and humidity; two axial wire lead term; spec JAN-R-11; RCA part/dwg P-722318-191	For Replacement Use N16-R-50371-433		
R-454	"+10 Db" Multiplier for M-452	Same as R-254			
R-455	"0 Db" Multiplier for M-452	Same as R-255			
R-456	"Silencer" Control	RESISTOR, VARIABLE: comp; 1 meg p/m 20%; 2 w; three solder lug term; enclosed plastic case w/ metal cover 1 1/4" diam x 1/2" d; round metal shaft, 1/4" diam x 1/2" lg from mtg surface; linear taper; ins cont arm, w/o off position; normal torque: 1/4" x 3/4" lg mtg bushing, non-turn device located on 1/4" rad at 3 o'clock; oper temp range -30° C to +100° C; will withstand 1000 v between term and mtg bushing for 1 min, and 100-lr salt spray; term hot tin dipped; marked w/ RCA part/dwg #: will withstand acceleration of 8G; AB Type JU1052, P3048; RCA part/dwg C-743461-28	N16-R-88342-5310		
R-457	"Output" Control	Same as R-257			
R-457A	"Headphone Level" Control	P/o R-457			
R-457B	Headphone Circuit Termination	P/o R-457			
R-458	"+20 Db" Multiplier for M-452	Same as R-258			
R-459	Automatic Gain Control Decoupling and Time Constant	Same as R-102			
R-460		Same as R-260			
R-461		Same as R-154			

TABLE 8-4. TABLE OF REPLACEABLE PARTS—Continued
RADIO RECEIVING SETS AN/SRR-11, AN/SRR-12, AN/SRR-13, AN/SRR-13A

REF. SYMBOL	STOCK NUMBERS SIGNAL CORPS STANDARD NAVY AIR FORCE	NAME OF PART AND DESCRIPTION	LOCATING FUNCTION
R-462	For Reference Only	Same as R-263; p/o X-451	Neon Lamp Current Limiting
R-463		Same as R-131	Leg of Voltage Divider to R-451
R-464		Same as R-264	Multiplier for M-452
R-465 thru R-500		Not Used	
R-501		Same as R-204; p/o Z-501	With R-502, Grid Leak for V-501
R-502		Same as R-301; p/o Z-501	With R-501, Grid Leak for V-501
R-503	For Replacement Use N16-R-49534-438	RESISTOR, FIXED; comp; JAN type RC20BF820K; 82 ohms p/m 5%; 1/4 w; BF characteristic; 0.406" lg x 0.175" diam; ins, RSW and humidity; two axial wire lead term; spec JAN-R-11; RCA part/dwg C-722318-133; p/o Z-501	Cathode Resistor, V-501
R-504		Same as R-101; p/o Z-501	Screen Decoupling, V-501
R-505		Same as R-304	With C-524, Antenna Isolation
R-506		Same as R-151; p/o Z-501	Grid Decoupling, V-501
R-507 thru R-525		Not Used	
R-526		Same as R-301; p/o Z-526	Automatic Gain Control Decoupling, V-526
R-527		Same as R-204; p/o Z-526	With R-526, Grid Leak for V-526
R-528		Same as R-302; p/o Z-526	Cathode Resistor, V-526
R-529		Same as R-101; p/o Z-526	Screen Decoupling, V-526
R-530		Same as R-151	Parasitic Suppressor
R-531 thru R-550		Not Used	
R-551		Same as R-453; p/o Z-551	#3 Grid Leak, V-551
R-552		Same as R-302; p/o Z-551	Cathode Resistor, V-551
R-553		Same as R-204; p/o Z-551	#1 Grid Leak, V-551
R-554		Same as R-101; p/o Z-551	Screen Decoupling, V-551
R-555		Same as R-204; p/o Z-551	Grid Leak, V-552
R-556		Same as R-155; p/o Z-551	Cathode Resistor, V-552
R-557		Same as R-101; p/o Z-551	Plate Decoupling, V-552
R-558 thru R-600		Not Used	
R-601		Same as R-201; p/o Z-601	Grid Leak, V-601
R-602	For Replacement Use N16-R-50308-438	RESISTOR, FIXED; comp; MIL type RC20GF123K; 12,000 ohms p/m 10%; 1/4 w; F characteristic; 0.375" lg x 0.138" diam less term; ins, RSW and humidity; two axial wire lead type term, 1.5" lg x 0.028" diam; color coded; spec MIL-R-11A; RCA part/dwg C-722320-76	Screen Decoupling, V-601
R-603		Same as R-354	Cathode Resistor, V-601
R-604	For Replacement Use N16-R-49282-438	RESISTOR, FIXED; comp; JAN type RC20BF150K; 15 ohms p/m 10%; 1/4 w; BF characteristic; 0.406" lg x 0.175" diam; ins, RSW and humidity; two axial wire lead term; spec JAN-R-11; RCA part/dwg C-722318-40	Parasitic Suppression, V-601 Grid

**AN/SRR-11, AN/SRR-12,
AN/SRR-13, AN/SRR-13A
PARTS LIST**

NAVSHIPS 91875(A)

**Section 8
R-605 - R-900**

Part Number	Description	Notes	Material/Specs
R-605 thru R-650	"RF Gain" (Manual) Control	Not Used	
R-651	"Diversity Gain Balance" Control Multiplier for M-651	Same as R-251	
R-651A	"Diversity Gain Balance" Control Multiplier for M-651	P/o R-651	
R-651B	"Diversity Gain Balance" Control Multiplier for M-651	P/o R-651	
R-652	"Silencer" Control	Same as R-452	
R-653	"Output" Control	Same as R-453	
R-654	"Headphone Level" Control	Same as R-254	
R-655	Headphone Circuit Termination	Same as R-255	
R-656	"+20 Db" Multiplier for M-652	Same as R-456	
R-657	"+10 Db" Multiplier for M-652	Same as R-257	
R-657A	"+10 Db" Multiplier for M-652	P/o R-657	
R-657B	"+10 Db" Multiplier for M-652	P/o R-657	
R-658	"Headphone Level" Control	Same as R-258	
R-659	Headphone Circuit Termination	Same as R-102	
R-660	"+20 Db" Multiplier for M-652	Same as R-260	
R-661	"+10 Db" Multiplier for M-652	Same as R-154	
R-662	Automatic Gain Control and Time Constant	P/o X-451 (not replaceable)	
R-663	Neon Lamp Current Limiting	Same as R-131	
R-664	Leg of Voltage Divider to R-651	Same as R-264	
R-665 thru R-700	Multiplier for M-652	Not Used	
R-701	Plate Decoupling, V-201	Same as R-101	
R-702	#2 Grid Leak, V-701	RESISTOR, FIXED: comp: MIL type RC20GF103K; 10,000 ohms p/m 10%; 1/4 w; F characteristic; 0.375" lg x 0.138" diam less term; ins, RSW and humidity; two axial wire lead type term, 1.5" lg x 0.025" diam; color coded; spec MIL-R-11A; RCA part/dwg C-722320-74	For Replacement Use N16-R-50281-438
R-703	#1 Grid Leak, V-701	RESISTOR, FIXED: comp: JAN type RC20BF105K; 1 meg p/m 10%; 1/4 w; BF characteristic; 0.406" lg x 0.175" diam; ins, RSW and humidity; two axial wire lead term; spec JAN-R-11; RCA part/dwg F-722318-98; p/o Z-1101	For Replacement Use N16-R-50974-438
R-704	Cathode Resistor, V-701	Same as R-103; p/o Z-701	
R-705	Plate Decoupling, V-701	RESISTOR, FIXED: comp: JAN type RC20GF822K; 8200 ohms p/m 10%; 1/4 w; F characteristic; 0.375" lg x 0.138" diam; ins, RSW; two axial wire lead term; color coded; RCA part/dwg C-722320-73	For Replacement Use N16-R-50236-438
R-706 thru R-800		Not Used	
R-801	#2 Grid Leak Resistor, V-801	Same as R-702; p/o Z-801	
R-802	#1 Grid Leak, V-801	RESISTOR, FIXED: comp: JAN type RC20BF103K; 10,000 ohms p/m 10%; 1/4 w; BF characteristic; 0.406" lg x 0.175" diam; ins, RSW and humidity; two axial wire lead term; spec JAN-R-11; RCA part/dwg F-722318-74; p/o Z-801	For Replacement Use N16-R-50281-438
R-803	Cathode Resistor, V-801	RESISTOR, FIXED: comp: JAN type RC20BF181K; 180 ohms p/m 10%; 1/4 w; BF characteristic; 0.406" lg x 0.175" diam; ins, RSW and humidity; two axial wire lead term; spec JAN-R-11; RCA part/dwg F-722318-53; p/o Z-801	For Replacement Use N16-R-49642-436
R-804	Plate Decoupling, V-801	Same as R-101	
R-805	Plate Decoupling, V-351	Same as R-101	
R-806 thru R-900		Not Used	

TABLE 8-4. TABLE OF REPLACEABLE PARTS—Continued
RADIO RECEIVING SETS AN/SRR-11, AN/SRR-12, AN/SRR-13, AN/SRR-13A

REF. SYMBOL	STOCK NUMBERS SIGNAL CORPS STANDARD NAVY AIR FORCE	NAME OF PART AND DESCRIPTION	LOCATING FUNCTION
R-901		Same as R-702; p/o Z-901	#3 Grid Leak Resistor, V-901
R-902		Same as R-802; p/o Z-901	#1 Grid Leak, V-901
R-903		Same as R-803; p/o Z-901	Cathode Resistor, V-901
R-904		Same as R-101	Plate Decoupling, V-901
R-905		Same as R-101	Plate Decoupling, V-551
R-906 thru R-1000		Not Used	
R-1001	N16-R-99999-0037	RESISTOR, THERMAL: temp compensating resistor; carbon comp w/ certain metallic oxides; disk type; 1/8" diam x 1/8" thk; mts by two radial wire leads 2" lg x 0.032" diam; RCA part/dwg B-465817-1	Gain Compensation, V-1003
R-1002		Not Used	
R-1003	For Replacement Use N16-R-50416-435	RESISTOR, FIXED: comp; JAN type RC20BF333J; 33,000 ohms p/m 5%; 1/4 w; BF characteristic; 0.406" lg x 0.175" diam; ins, RSW and humidity; two axial wire lead term; spec JAN-R-11; RCA part/dwg P-722318-195; p/o Z-1003. Not used in AN/SRR-13A	Element of Z-1003
R-1004	For Replacement Use N16-R-50164-435	RESISTOR, FIXED: comp; JAN type RC20BF562J; 5600 ohms p/m 5%; 1/4 w; BF characteristic; 0.406" lg x 0.175" diam; ins, RSW and humidity; two axial wire lead term; spec JAN-R-11; RCA part/dwg P-722318-177. Not used in AN/SRR-13A	Element of Z-1003
R-1005	For Replacement Use N16-R-50992-275	RESISTOR, FIXED: comp; JAN type RC20BF125K; 1.2 meg p/m 10%; 1/4 w; BF characteristic; 0.406" lg x 0.175" diam; ins, RSW and humidity; two axial wire lead term; spec JAN-R-11; RCA part/dwg P-722318-99	Automatic Gain Control Decoupling, V-1001
R-1006		Same as R-153	Cathode Resistor, V-1001
R-1007		Same as R-101; p/o Z-1004. Not used in AN/SRR-13A	Screen Decoupling, V-1001
R-1008	For Replacement Use N16-R-50335-438	RESISTOR, FIXED: comp; JAN type RC20BF153J; 15,000 ohms p/m 5%; 1/4 w; BF characteristic; 0.406" lg x 0.175" diam; ins, RSW and humidity; two axial wire lead term; spec JAN-R-11; RCA part/dwg P-722318-187. Not used in AN/SRR-13A	Loads L-1011
R-1009	For Replacement Use N16-R-50362-433	RESISTOR, FIXED: comp; MIL type RC20BF203J; 20,000 ohms p/m 5%; 1/4 w; F characteristic; 0.406" lg x 0.175" diam; ins, RSW and humidity; two axial wire leads #21 AWG 1 1/4" lg; RCA part/dwg P-722318-190; p/o Z-1017. Used in AN/SRR-13A only	Loads L-1016
R-1010		Same as R-153; p/o Z-1006	Cathode Resistor, V-1002
R-1011		Same as R-101; p/o Z-1006	Screen Decoupling, V-1002
R-1012		Same as R-1008	Loads L-1012
R-1013		Same as R-1009; p/o Z-1018. Used in AN/SRR-13A only	Loads L-1017
R-1014	N16-R-49922-811	RESISTOR, FIXED: comp; JAN type RC20BF102K; 1000 ohms p/m 10%; 1/4 w; BF characteristic; 0.406" lg x 0.175" diam; ins, RSW and humidity; two axial wire lead term; spec JAN-R-11; RCA part/dwg P-722318-62; p/o Z-1008	With R-1001, Cathode Resistor, V-1003
R-1015		Same as R-129; p/o Z-1010	Screen Dropping, V-1004
R-1016		Same as R-129; p/o Z-1010	Plate Load, V-1004
R-1017		Same as R-101; p/o Z-1008	Screen Decoupling, V-1003
R-1018		Not Used	
R-1019	For Replacement Use N16-R-50128-438	RESISTOR, FIXED: comp; JAN type RC20BF472K; 4700 ohms p/m 10%; 1/4 w; BF characteristic; 0.406" lg x 0.175" diam; ins, RSW and humidity; two axial wire lead term; spec JAN-R-11; RCA part/dwg P-722318-70; p/o Z-1010	#1 Grid Leak, V-1004
R-1020		Same as R-1019; p/o Z-1010	#3 Grid Leak, V-1004
R-1021		Same as R-1014; p/o Z-1010	Cathode Resistor, V-1004

AN/SRR-11, AN/SRR-12,
AN/SRR-13, AN/SRR-13A
PARTS LIST

NAVSHIPS 91875(A)

Section 8
R-1022-R-1115

R-1022	Not Used		
R-1023	For Replacement Use N16-R-50551-401	RESISTOR, FIXED; comp; JAN type RC20BF683J; 68,000 ohms p/m 5%; 1/2 w; BF characteristic; 0.406" lg x 0.175" diam; ins, RSW and humidity; two axial wire lead term; spec JAN-R-11; RCA part/dwg P-722318-203; p/o Z-1014	Grid Leak, V-1007
R-1024	Same as R-1008		Loads L-1013
R-1025	Same as R-103; p/o Z-1014		Cathode Resistor, V-1007
R-1026	Same as R-109; p/o Z-1014		Plate Decoupling, V-1007
R-1027	For Replacement Use N16-R-50443-438	RESISTOR, FIXED; comp; JAN type RC20BF383K; 39,000 ohms p/m 10%; 1/2 w; BF characteristic; 0.406" lg x 0.175" diam; ins, RSW and humidity; two axial wire lead term; spec JAN-R-11; RCA part/dwg P-722318-81	Diode Load Resistor, V-1005
R-1028	For Replacement Use N16-R-50821-276	RESISTOR, FIXED; comp; JAN type RC20BF474J; 470,000 ohms p/m 5%; 1/2 w; BF characteristic; 0.406" lg x 0.175" diam; ins, RSW and humidity; two axial wire lead term; spec JAN-R-11; RCA part/dwg P-722318-223	With R-1029, Automatic Gain Control Delay Voltage Divider
R-1029	For Replacement Use N16-R-51136-438	RESISTOR, FIXED; comp; JAN type RC20BF385J; 3.9 meg p/m 5%; 1/2 w; BF characteristic; 0.406" max lg x 0.175" max diam; ins, resistant to humidity and salt water; two axial wire lead terms, 1 1/2" lg #21 AWG; color coded; spec JAN-R-11; RCA part/dwg C-722318-245	With R-1028, Automatic Gain Control Delay Voltage Divider
R-1030	Same as R-1005		Automatic Gain Control Decoupling and Time Constant
R-1031	Same as R-1005		With C-1066, Time Constant Circuit, V-1003 Grid
R-1032	Same as R-106		Signal Reduction, V-1004 Plate
R-1033	Same as R-101		Plate Supply Decoupling, V-1004
R-1034 thru R-1100	Not Used		
R-1101	Same as R-703; p/o Z-1101		Output Coupling, V-1101 Cathode
R-1102	For Replacement Use N16-R-50587-435	RESISTOR, FIXED; comp; JAN type RC20BF823J; 82,000 ohms p/m 5%; 1/2 w; BF characteristic; 0.406" lg x 0.175" diam; ins, RSW and humidity; two axial wire lead term; spec JAN-R-11; RCA part/dwg P-722318-208; p/o Z-1101	With R-1103, Dividing Network, V-1101 Plate
R-1103	For Replacement Use N16-R-50650-390	RESISTOR, FIXED; comp; JAN type RC20BF124J; 120,000 ohms p/m 5%; 1/2 w; F characteristic; 0.406" lg x 0.175" diam; ins, RSW and humidity; two axial wire lead term, 1 1/2" lg #21 AWG; spec JAN-R-11; RCA part/dwg P-722318-209; p/o Z-1101	With R-1102, Dividing Network, V-1101 Plate
R-1104	For Replacement Use N16-R-50740-380	RESISTOR, FIXED; comp; JAN type RC20BF274K; 270,000 ohms p/m 10%; 1/2 w; BF characteristic; 0.406" lg x 0.175" diam; ins, RSW and humidity; two axial wire lead term; spec JAN-R-11; RCA part/dwg P-722318-91; p/o Z-1101	Detector Signal Filtering
R-1105	Same as R-703; p/o Z-1101		Cathode Return, V-1101
R-1106	For Replacement Use N16-R-49876-438	RESISTOR, FIXED; comp; MIL type RC20BF821K; 820 ohms p/m 10%; 1/2 w; BF characteristic; 0.375" lg x 0.138" diam less term; ins, resistant to humidity and salt water immersion; two axial wire lead type term, 1.5" lg x 0.028" diam; color coded; spec MIL-R-11A; RCA part/dwg C-722318-61; p/o Z-1102	Cathode Resistor, V-1102
R-1107	Same as R-130; p/o Z-1102		Plate Load, V-1102
R-1108	For Replacement Use N16-R-51019-440	RESISTOR, FIXED; comp; JAN type RC20BF155J; 1.5 meg p/m 5%; 1/2 w; BF characteristic; 0.406" max lg x 0.175" max diam; ins, resistant to humidity and salt water; two axial wire lead terms, 1 1/2" lg #21 AWG; color coded; spec JAN-R-11; RCA part/dwg C-722318-235	Audio Input Filtering
R-1109	Same as R-1023		Gain Compensation in "Broad" Audio Operation
R-1110	Not Used		Driving Impedance to Z-1110
R-1111	For Replacement Use N16-R-50398-131	RESISTOR, FIXED; comp; JAN type RC20BF273J; 27,000 ohms p/m 5%; 1/2 w; BF characteristic; 0.406" lg x 0.175" diam; ins, RSW and humidity; two axial wire lead term; spec JAN-R-11; RCA part/dwg P-722318-193	Grid Leak, V-1102
R-1112	Same as R-204		Part of "Limiter" Control Network
R-1113	Same as R-204		Output Load, V-1104 Plate
R-1114	Same as R-1008; p/o Z-1104		With R-1116 and R-1117 Cathode Bias Network, V-1103
R-1115	For Replacement Use N16-R-50632-416	RESISTOR, FIXED; comp; JAN type RC20BF104J; 100,000 ohms p/m 5%; 1/2 w; BF characteristic; 0.406" lg x 0.175" diam; ins, RSW and humidity; two axial wire lead term; spec JAN-R-11; RCA part/dwg P-722318-207; p/o Z-1103	

CHANGE 1

8-75

CONTRACT NObar-52014

TABLE 8-4. TABLE OF REPLACEABLE PARTS—Continued
RADIO RECEIVING SETS AN/SRR-11, AN/SRR-12, AN/SRR-13, AN/SRR-13A

REF SYMBOL	STOCK NUMBERS SIGNAL CORPS STANDARD NAVY AIR FORCE	NAME OF PART AND DESCRIPTION	LOCATING FUNCTION
R-1116	For Replacement Use N16-R-50077-380	RESISTOR, FIXED; comp; JAN type RC20BF154J; 150,000 ohms p/m 5%; 1/4 w; BF characteristic; 0.406" lg x 0.175" diam; ins, RSW and humidity; two axial wire lead term; spec JAN-R-11; RCA part/dwg P-722318-211; p/o Z-1103	With R-1115 and R-1116 Cathode Bias Network, V-1103
R-1117	For Replacement Use N16-R-50758-377	RESISTOR, FIXED; comp; JAN type RC20BF334J; 330,000 ohms p/m 5%; 1/4 w; BF characteristic; 0.406" lg x 0.175" diam; ins, RSW and humidity; two axial wire lead term; spec JAN-R-11; RCA part/dwg P-722318-219; p/o Z-1103	With R-1115 and R-1116 Cathode Bias Network, V-1103
R-1118		Same as R-1117; p/o Z-1104	Coupling V-1104 Plate to V-1103 Plate
R-1119	For Replacement Use N16-R-50038-438	RESISTOR, FIXED; comp; JAN type RC20BF272J; 2700 ohms p/m 5%; 1/4 w; F characteristic; 0.406" lg x 0.175" diam; ins; two axial wire lead term; color coded; spec JAN-R-11; RCA part/dwg C-722318-169; p/o Z-1104	Cathode Resistor, V-1104
R-1120	For Replacement Use N16-R-50659-433	RESISTOR, FIXED; comp; JAN type RC20BF134J; 130,000 ohms p/m 5%; 1/4 w; F characteristic; 0.406" lg x 0.175" diam; ins; two axial wire lead term; color coded; spec JAN-R-11; RCA part/dwg C-722318-210; p/o Z-1104	With R-1119, Bias Network for V-1104 Cathode
R-1124	For Replacement Use N16-R-50740-380	RESISTOR, FIXED; comp; JAN type RC20BF274J; 270,000 ohms p/m 5%; 1/4 w; BF characteristic; 0.406" lg x 0.175" diam; ins, RSW and humidity; two axial wire lead term; spec JAN-R-11; RCA part/dwg P-722318-217; p/o Z-1104	Plate Load, V-1104
R-1122		Same as R-301; p/o Z-1105	Grid Leak, V-1105
R-1123		Same as R-1106; p/o Z-1105	Cathode Resistor, V-1105
R-1124		Same as R-130; p/o Z-1105	Plate Load, V-1105
R-1125		Same as R-204; p/o Z-1106	With R-1126 and R-1127 Cathode Bias Network, V-1106
R-1126	For Replacement Use N16-R-50092-438	RESISTOR, FIXED; comp; JAN type RC20BF392K; 3900 ohms p/m 10%; 1/4 w; BF characteristic; 0.406" lg x 0.175" diam; ins, RSW and humidity; two axial wire lead term; spec JAN-R-11; RCA part/dwg P-722318-69; p/o Z-1106	With R-1125 and R-1127 Cathode Bias Network, V-1106
R-1127		Same as R-107; p/o Z-1106	With R-1125 and R-1126 Cathode Bias Network, V-1106
R-1128		Same as R-107; p/o Z-1107	With R-1129 and R-1130 Cathode Bias Network, V-1107
R-1129		Same as R-1126; p/o Z-1107	With R-1128 and R-1130 Cathode Bias Network, V-1107
R-1130		Same as R-204; p/o Z-1107	With R-1128 and R-1129 Cathode Bias Network, V-1107
R-1131		Same as R-1005; p/o Z-1108	Grid Leak, V-1108
R-1132		Same as R-1119; p/o Z-1108	Cathode Resistor, V-1108
R-1133		Same as R-204; p/o Z-1108	Plate Load, V-1108
R-1134		Same as R-1115; p/o Z-1108	With R-1132, Feedback Network, V-1109 to V-1108
R-1135		Same as R-255; p/o Z-1108	Grid Leak, V-1109
R-1136	For Replacement Use N16-R-49840-435	RESISTOR, FIXED; comp; 680 ohms p/m 10%; 1/4 w; F characteristic; 0.375" lg x 0.140" diam; ins, RSW; two axial wire lead term; color coded; AB Type EB-6811; RCA part/dwg K-82283-60; p/o Z-1108	Cathode Resistor, V-1109
R-1137	For Replacement Use N16-R-51172-438	RESISTOR, FIXED; comp; JAN type RC20BF475J; 4.7 meg p/m 5%; 1/4 w; BF characteristic; 0.406" lg x 0.175" max diam; ins, resistant to humidity and salt water; two axial wire lead terms, 1 1/2" lg #21 AWG; color coded; spec JAN-R-11; RCA part/dwg C-722318-247	P/o "Silencer" Control Network
R-1138		Same as R-204	Grid Leak, V-1109
R-1139 thru R-1200		Not Used	

**AN/SRR-11, AN/SRR-12,
AN/SRR-13, AN/SRR-13A
PARTS LIST**

NAVSHIPS 91875(A)

**Section 8
R-1201—R-1503**

R-1201	For Replacement Use N16-R-51064-435	RESISTOR, FIXED; comp; JAN type RC20BF225J; 2.2 meg p/m 5%; 1/4 w; BF characteristic; 0.406" lg x 0.175" diam; ins, RSW and humidity; two axial wire lead term; spec JAN-R-11; RCA part/dwg P-722318-239; p/o Z-1201	Grid Leak, V-1201
R-1202		Same as R-155; p/o Z-1201	Common Cathode Resistor, V-1201 and V-1202
R-1203		Same as R-260; p/o Z-1201	Plate Load, V-1201
R-1204		Same as R-1004; p/o Z-1202	Plate Load, V-1202
R-1205	For Replacement Use N16-R-50238-438	RESISTOR, FIXED; comp; JAN type RC20BF622J; 8200 ohms p/m 5%; 1/4 w; BF characteristic; 0.406" lg x 0.175" diam; ins, RSW and humidity; two axial wire lead term; spec JAN-R-11; RCA part/dwg P-722318-181; p/o Z-1202	Grid Leak, V-1202
R-1206		Same as R-604	Feedback Element, V-1201
R-1207 thru R-1300		Not Used	
R-1301	N16-R-50012-811	RESISTOR, FIXED; comp; MIL type RC20BF222K; 2200 ohms p/m 10%; 1/4 w; BF characteristic; 0.375" lg x 0.138" diam less term; ins, resistant to humidity and salt water immersion; two axial wire lead type term, 1.5" lg x 0.028" diam; color coded; spec MIL-R-11A; RCA part/dwg C-722318-66	Plate Supply Decoupling, V-1301
R-1302		Same as R-1014; p/o Z-1302	Cathode Resistor, V-1301
R-1303		Same as R-154; p/o Z-1302	Screen Load, V-1301
R-1304	For Replacement Use N16-R-50371-433	RESISTOR, FIXED; comp; JAN type RC20BF223K; 22,000 ohms p/m 10%; 1/4 w; BF characteristic; 0.406" lg x 0.175" diam; ins, RSW and humidity; two axial wire lead term; spec JAN-R-11; RCA part/dwg P-722318-78; p/o Z-1302	Plate Load, V-1301
R-1305		Same as R-107; p/o Z-1302	Grid Leak, V-1301
R-1306 thru R-1400		Not Used	
R-1401	For Replacement Use N16-R-50974-438	RESISTOR, FIXED; comp; JAN type RC20BF105J; 1 meg p/m 5%; 1/4 w; BF characteristic; 0.406" lg x 0.175" diam; ins, RSW and humidity; two axial wire lead term; spec JAN-R-11; RCA part/dwg P-722318-231; p/o Z-1401	Plate Supply Decoupling, V-1401
R-1402		Same as R-101	Plate Load, V-1401
R-1403	For Replacement Use N16-R-50515-433	RESISTOR, FIXED; comp; JAN type RC20BF563J; 56,000 ohms p/m 5%; 1/4 w; BF characteristic; 0.406" lg x 0.249" diam; ins, RSW and humidity; two axial wire lead term; spec JAN-R-11; RCA part/dwg P-722318-201; p/o Z-1401	#3 Grid Leak, V-1402
R-1404		Same as R-155; p/o Z-1401	Cathode Resistor, V-1402
R-1405	For Replacement Use N16-R-50695-436	RESISTOR, FIXED; comp; JAN type RC20BF184J; 180,000 ohms p/m 5%; 1/4 w; F characteristic; 0.408" max lg x 0.249" diam; ins, RSW and humidity; two axial wire lead term; spec JAN-R-11; RCA part/dwg C-722318-213	#1 Grid Leak, V-1402
R-1406		Same as R-401; p/o Z-1402	Screen Decoupling, V-1402
R-1407		Same as R-260; p/o Z-1402	Plate Supply Decoupling, V-1402
R-1408		Same as R-101	Plate Load, V-1402
R-1409		Same as R-260; p/o Z-1402	P/o Multivibrator Time Constant Network, V-1402
R-1410		Same as R-1405; p/o Z-1402	Cathode Resistor, V-1401
R-1411	N16-R087521-8010	RESISTOR, VARIABLE; comp; 5000 ohms $\pm 20\%$; 0.5 w; 40° C max continuous oper; three solder lug term; enclosed metal case 1/4" diam x 1/8" d; round metal shaft 1/8" lg x 1/8" diam w/ slotted end; std "A" taper; ins contact arm, no off position; torque not less than 3/4 oz in. nor more than 6 oz in.; bushing 1/2" x 1/4" lg, non-turn device located on 1/4" radius at 9 o'clock; Chicago Telephone Supply Co. Type #65X3534 5K CPS 303; RCA part/dwg C-746028-2	Grid Leak, V-1501
R-1412 thru R-1500		Not Used	Common Cathode Resistor, V-1501, V-1502
R-1501		Same as R-1201; p/o Z-1501	Plate Load, V-1501
R-1502		Same as R-155; p/o Z-1501	
R-1503		Same as R-353; p/o Z-1501	

CONTRACT NOber-52014

TABLE 8-4. TABLE OF REPLACEABLE PARTS—Continued
RADIO RECEIVING SETS AN/SRR-11, AN/SRR-12, AN/SRR-13, AN/SRR-13A

REF. SYMBOL	STOCK NUMBERS SIGNAL CORPS STANDARD NAVY AIR FORCE	NAME OF PART AND DESCRIPTION	LOCATING FUNCTION
R-1504	For Replacement Use N16-R-50281-438	RESISTOR, FIXED: comp; MIL type RC20BF103J; 10,000 ohms p/m 5%; 1/4 w; F characteristic; 0.375" lg x 0.138" diam less term; ins, RSW and humidity; two axial wire lead type term, 1.5" lg x 0.028" diam; color coded; spec MIL-R-11A; RCA part/dwg C-722318-183	Plate Load, V-1502
R-1505		Same as R-1023; p/o Z-1502	Grid Leak, V-1502
R-1506		Same as R-1014; p/o Z-1502	Output Loading, V-1502 Plate
R-1507	For Replacement Use N16-R-49255-438	RESISTOR, FIXED: comp; JAN type RC20BF120I; 12 ohms p/m 5%; 1/2 w; temp coef F; 0.406" lg x 0.175" diam; RSW and humidity; two axial wire lead term; color coded; spec JAN-R-11; RCA part/dwg C-722318-113	Parasitic Suppressor, V-1501
R-1508 R-1600 R-1601		Not Used	
R-1602	For Replacement Use N16-R-50444-131	Same as R-452	Hum-Bucking Adjustment, V-1101 Heater Circuit
R-1603	For Replacement Use N16-R-56214-8991	RESISTOR, FIXED: comp; JAN type RC42BF393K; 39,000 ohms p/m 10%; 2 w; BF characteristic; 0.750" lg x 0.370" diam; ins, RSW; two axial wire lead term; spec JAN-R-11; RCA part/dwg P-722360-81	Bleeder for C-1602
R-1604	For Replacement Use N16-R-55846-3940	RESISTOR, FIXED: WW; JAN type RW21J402; 4000 ohms p/m 5%; 12.5 w; 2" lg x 1 1/4" wd x 1/4" thk; coated per JAN-R-28A; resistant to humidity; two radial solder lug term; 1" lg C. O. T. x 11-17" wd; stack mtg w/ two mtg holes 0.196" diam on 2 1/4" mtg/c; RCA part/dwg P-722463-647	Voltage Dropping for V-1603
R-1605	N16-R-85002-6871	RESISTOR, FIXED: WW; JAN type RW21J401; 400 ohms p/m 5%; 12.5 w at 200° C; body 2" lg x 1 1/4" wd x 1/4" thk; 3/4" lg x 1 1/4" wd x 1/4" o.d.; resistant to humidity; two radial tab term; 1" lg C. O. T. x 11-17" wd; stack mtg w/ two 0.196" diam mtg holes on 2 1/4" mtg/c; RCA part/dwg P-722463-637	Voltage Dropping for Plate Supply Voltage
R-1606 R-3600		TUBE BALLAST: special current regulating tube; glass; 4.5 v to 11.2 v, 140 ma to 160 ma; T5-1/2 bulb, 2 1/4" max lg less pins; 7-pin base; RCA part/dwg B-464003-1	Regulates Local Oscillator Heater Current
R-3601	For Replacement Use N16-R-87012-5430	Not Used	
R-3602	For Replacement Use N16-R-49426-716	RESISTOR, VARIABLE: comp; 50 ohms p/m 20%; 2 w; three solder lug term; enclosed metal case 1 1/4" diam x 1/4" d; round metal shaft 1/4" diam x 3/4" lg from mtg surface; linear taper; ins contact arm, w/o off position; normal torque; 1/2" x 32 x 1/4" lg mtg bushing, non-turn device located on 1/2" rad at 3 o'clock; oper temp range -50° C to +100° C; will withstand 1000 v between term and mtg bushing for 1 min, and 100 hr salt spray; term hot tin dipped, marked w/ RCA part/dwg #; will withstand acceleration of 8G; AB Type JU5002, P3048; RCA part/dwg C-743461-27	Regulates Intensity of Projection Lamps
R-3603 R-3700		RESISTOR, FIXED: comp; 47 ohms p/m 10%; 1 w; G characteristic; 0.562" lg x 0.225" diam; ins; two axial wire lead term; color coded; AB Type GB4701; RCA part/dwg K-90496-46	Supplements R-3601
R-3701		Not Used	
R-3702		Same as R-3601	Regulates Intensity of Projection Lamps
R-3703 R-3800		Same as R-3602	Supplements R-3701
R-3801		Not Used	
R-3802		Same as R-3601	Regulates Intensity of Projection Lamps
S-101	N17-S-65233-6617	SWITCH, ROTARY: 6 pole, 6 position, 6 throws; two sect; 2 amp, 500 v peak; silver cont; ceramic body; 1 1/2" h x 1" wd x 1 1/4" lg; shorting type coil; detent action; screw term on rotor, solder lug term on stator; two #6-32 tapped mtg holes in bkt on 0.465" mtg/c; 0.0925" diam x 1/4" lg crank type termination at end of shaft; crank has 1/4" swing; shaft and crank extends 1/4" beyond mtg bkt; RCA part/dwg C-743448-1	Supplements R-3801 Band Switch, Type I Antenna Tuning Unit
S-101A		P/o S-101	
S-101B		P/o S-101	

AN/SRR-11, AN/SRR-12,
AN/SRR-13, AN/SRR-13A
PARTS LIST

NAVSHIPS 91875(A)

Section 8
S-102-S-300

Part Number	Description	Quantity	Unit
S-102	Switches C-102		
S-103 thru S-125	Band Switch, Type I RF Unit		
S-126	Band Switch, Type I Mixer Unit		
S-126A	Band Switch, Type I Oscillator Unit		
S-126B			
S-127 thru S-150	Main Power Switch		
S-151	Turns Calibrator On/Off		
S-151A	Standby Switch		
S-151B	Controls Range of M-251		
S-152 thru S-200	Controls Range of M-252		
S-201			
S-201A			
S-201B			
S-202 thru S-250			
S-251			
S-252			
S-253			
S-254			
S-255			
S-256 thru S-300			

SWITCH, SENSITIVE: SPDT; 125 to 250 v AC, 5 amp; plastic case 1 1/2" lg x 1 1/4" wd x 3/4" h excluding term; plastic pin plunger type, 0.046" diam; 7 oz. max oper pressure; 0.008" max movement differential; 0.030" max pretravel; 0.005" min overtravel; locking type one position, momentary other position; solder lug term; two mtg holes; one hole 0.096" lg x 0.088" wd, other hole, 0.088" diam on 0.375" mtg/c; Microswitch Cat #18MZ; spec MIL-S-6743; RCA part/dwg A-8835313-2

Not Used

SWITCH, ROTARY: 6 pole, 6 position, 6 throws; two sect; 2 amp, 500 v peak; silver cont; ceramic body; 1 1/4" h x 1" wd x 1 1/2" h; shorting type cont; detent action; screw term on rotor, solder lug term on stator; two #6-32 tapped mtg holes in bkt on 0.468" mtg/c, 0.0925" diam x 3/4" lg crank type termination at end of shaft; crank has 3/8" swing; shaft and crank extends 1/2" beyond mtg bkt; same as N17-S-65233-6617 except wafers contacts are 180 deg out of phase; RCA part/dwg C-743448-3

P/o S-126

P/o S-126

Not Used

Same as S-126

P/o S-151

P/o S-151

Not Used

Same as S-126

P/o S-201

P/o S-201

Not Used

SWITCH, TOGGLE: DPST; JAN type ST22K; 6 amp continuous oper cap; 5 amp 125 v, 2 amp 250 v resistive load; 3 amp 125 v, 1.5 amp 250 v inductive load, nom ratings; black molded phenolic body; 1 1/2" lg x 3/4" wd x 3/4" d body; bat type handle, 1 1/4" lg w/ 28 deg p/m 4 deg throw; locking action, cont closed w/ lever up, cont open w/ lever down; solder lug term, one 3/8" diam hole in ea term; single hole mtg, 1/2" x 1/2" lg bushing; flush mtg w/ non-turn keyway; in bushing; incl two mtg nuts; spec JAN-S-23; RCA part/dwg M-426780-110

SWITCH, TOGGLE: DPDT; JAN type ST22N; 125 v, 5 amp resistive load; 125 v 3 amp inductive load (AC or DC); molded phenolic body; 1 1/2" lg x 1 1/4" wd x 3/4" d; 1 1/4" lg bat type handle; locking action; solder lug term; single hole mtg bushing; 1/2" x 1/2" lg; incl two mtg nuts, one assembled one unassembled; spec JAN-S-23; RCA part/dwg B-426780-113

SWITCH, TOGGLE: SPST; JAN type ST12A; 6 amp continuous oper cap; 5 amp 125 v, 2 amp 250 v resistive load; 3 amp 125 v, 1.5 amp 250 v inductive load, nom ratings; black molded phenolic body; 1 1/2" lg x 3/4" wd x 3/4" d body; bat type handle 1 1/4" lg w/ 28 deg p/m 4 deg throw; locking action, cont closed w/ lever up, cont open w/ lever down; solder lug term, one 3/8" diam hole in ea term; single hole mtg, 1/2" x 1/2" lg bushing; flush mtg w/ non-turn keyway in bushing; incl two mtg nuts; spec JAN-S-23; RCA part/dwg M-426780-101

SWITCH, ROTARY: SPDT; two position; single sect; spring silver alloy cont on stator, solid silver cont on rotor; nylon fabric phenolic wafers, SS or nickel pl brass body; 1 1/4" diam x 1 1/2" lg approx; shorting type cont; momentary action in position #1, locking in position #2; solder lug term; single hole mtg, bushing 3/8" x 3/4" lg, 3/4" diam x 1/2" lg SS shaft; ambient oper temp range -54° C to +85° C; marked w/ RCA part/dwg #, Oak Type F; RCA part/dwg M-458169-1

SWITCH, ROTARY: single pole, 4 position, 3 throw; single sect; spring silver alloy cont on stator, solid silver cont on rotor; nylon fabric phenolic wafers, SS or nickel pl brass body; 1 1/4" diam x 1 1/2" lg approx; shorting type cont; momentary action in position #1, other position locking action; solder lug term; single hole mtg, bushing 3/8" x 3/4" lg, 3/4" diam x 1/2" lg SS shaft; ambient oper temp range -45° C to +85° C; marked w/ RCA part/dwg #; Oak Type F; RCA part/dwg M-458170-1

Not Used

TABLE 8-4. TABLE OF REPLACEABLE PARTS—Continued
RADIO RECEIVING SETS AN/SRR-11, AN/SRR-12, AN/SRR-13, AN/SRR-13A

REF SYMBOL	STOCK NUMBERS SIGNAL CORPS STANDARD NAVY AIR FORCE	NAME OF PART AND DESCRIPTION	LOCATING FUNCTION
S-301	N17-S-62311-2701	SWITCH, ROTARY; 3 pole, 6 position, 6 throw; single seat; 2 amp, 500 v peak; silver cont; ceramic body; 1 3/4" h, 1" wd x 3/4" lg; shoring type cont; detent action; screw term on rotor; solder lug term on stator; two #6-32 tapped mtg holes in bkt on 0.468" mtg/c; 0.023" diam x 3/4" lg crank type termination at end of shaft; crank has 3/4" swing; shaft and crank extends 3/8" beyond mtg bkt; RCA part/dwg C-743448-2	Band Switch, Type II Antenna Unit Coils
S-302		Same as S-101	Band Switch, Type I Antenna Unit Transformer
S-302A		P/o S-302	
S-302B		P/o S-302	
S-303 thru S-325		Not Used	
S-326		Same as S-126	
S-326A		P/o S-326	
S-326B		P/o S-326	Band Switch, Type II RF Unit
S-327 thru S-350		Not Used	
S-351		Same as S-126	
S-351A		P/o S-351	Band Switch, Type II Mixer Unit
S-351B		P/o S-351	
S-400		Not Used	
S-401		Same as S-126	
S-401A		P/o S-401	
S-401B		P/o S-401	Band Switch, Type II Oscillator Unit
S-402 thru S-450		Not Used	
S-451		Same as S-251	Main Power Switch
S-452	N17-S-72018-7719	SWITCH, TOGGLE; SPDT; JAN type ST12D; 5 amps 125 v 2 amps 250 v AC/DC resistive load; 3 amps 125 v 1.5 amps 250 v AC/DC inductive load; phenolic body; 1 3/4" lg x 1 3/4" wd x 1 3/4" d less terms, barriers bushings and handle; actuating bat type handle; 1/4" lg less lgth of bushing; momentary action; locking action w/ 1/2" diam hole in cover guard for positioning handle; three solder lug type term located on back; single hole mtg; 1 3/4"-32 thd diam bushing; 1 3/4" lg from mtg surface; luminous handle; spec JAN-S-23; RCA part/dwg B-426780-104	Turns Calibrator On/Off
S-453		Same as S-253	Standby Switch
S-454		Same as S-254	Controls Range of M-251
S-455		Same as S-255	Controls Range of M-252
S-456 thru S-500		Not Used	
S-501		Same as S-301	Band Switch, Type III Antenna Unit Coils

**AN/SRR-11, AN/SRR-12,
AN/SRR-13, AN/SRR-13A
PARTS LIST**

NAVSHIPS 91875(A)

**Section 8
S-502—S-800**

Part Number	Description	Notes	Unit
S-502	Band Switch, Type III Antenna Transformer Unit		
S-502A			
S-502B			
S-503 thru S-525			
S-526			
S-526A			
S-526B			
S-527 thru S-550			
S-551			
S-551A			
S-551B			
S-552 thru S-600			
S-601			
S-601A			
S-601B			
S-602 thru S-650			
S-651			
S-652			
S-653			
S-654			
S-655			
S-656			
S-656A			
S-656B			
S-657 thru S-700			
S-701			
S-702			
S-703 thru S-800			

CHANGE 1

8-81

CONTRACT NObar-52014

TABLE 8-4. TABLE OF REPLACEABLE PARTS—Continued
RADIO RECEIVING SETS AN/SRR-11, AN/SRR-12, AN/SRR-13, AN/SRR-13A

REF. SYMBOL	STOCK NUMBERS SIGNAL CORPS STANDARD NAVY AIR FORCE	NAME OF PART AND DESCRIPTION	LOCATING FUNCTION
S-801		Same as S-701	Band Switch, Type II 1st IF Unit
S-802		Same as S-701	Band Switch, Type II 1st IF Unit
S-803 thru S-1000		Not Used	
S-1001	N17-S-91897-8968	SWITCH SECTION, ROTARY: 3 pole, 6 position; 18 cont; single sect; 2 amp, 500 v peak; silver cont; ceramic body; 1 1/4" lg x 1" wd x 1/4" h o/a; detent action; screw term on rotor, solder lug term on stator; two mtg holes 0.086" diam on 1.187" mtg/c; 0.127" sq shaft hole centrally located in rotor; RCA part/dwg C-743426-2	Switches Inputs, Z-1001, Z-1002
S-1002		Same as S-1001	Switches Inputs, Z-1001, Z-1002
S-1003		Same as S-1001	Switches Output Circuits of 2nd IF Units
S-1004 thru S-1100		Not Used	
S-1101	N17-S-63719-3559	SWITCH, ROTARY: 5 poles, 18 position; 36 cont; two sect; c/o S-1101A, S-1101B; 500 v peak, 2 amp; cont, brass silver pl; ceramic wafers; 1 1/4" lg x 1 1/4" h x 1 1/4" wd o/a; incl shaft; u/w external detent; solder lug term; one #4-40 self-clinching nut on ea side of bkt for mtg; shaft incl crank type coupling w/ 1 1/4" throw; Communication Prod Type #55; RCA part/dwg C-748215-501	Mode Selection, Audio Unit
S-1101A		P/o S-1101	
S-1101B		P/o S-1101	
S-1102 thru S-1300		Not Used	
S-1301	N17-S-91897-8969	SWITCH SECTION, ROTARY: 2 pole, 9 position; 18 cont; single sect; 2 amp, 500 v peak; silver cont; ceramic body; 1 1/4" lg x 1" wd x 1/4" h o/a; detent action; screw type term on rotor, solder lug term on stator; two 0.086" diam mtg holes on 1.187" mtg/c; 0.127" sq shaft hole centrally located in rotor; RCA part/dwg C-743426-3	Circuit Selection, BFO Unit
S-1302 thru S-3600		Not Used	
S-3601	N17-S-69085-2701	SWITCH, SENSITIVE: SPDT; 10 amp, 115 v; plastic case; 1 1/4" lg x 1/2" wd x 1 1/4" h o/a; plunger actuated; 1/2" from ctr mtg hole to free position of actuator; 1 1/4" lg x 1/4" wd x 1/4" h plunger; 6 to 14 oz. oper pressure; 0.006" to 0.016" movement differential; 1/4" max pretravel; 1/4" min overtravel; momentary; solder lug term, hot solder dipped; one 0.114" diam mtg hole and one 0.114" wd mtg hole x 0.128" lg on 0.875" x 0.406" mtg/c; flat bosses around mtg holes for stack mtg; spec MIL-S-6743; Micro Switch V3-1; RCA part/dwg K-8871821-2	Shifts "Normal"/"Spare" Lamp Connections
S-3602 thru S-3700		Not Used	
S-3701		Same as S-3601	Shifts "Normal"/"Spare" Lamp Connections
S-3702 thru S-3800		Not Used	
S-3801		Same as S-3601	Shifts "Normal"/"Spare" Lamp Connections
T-101	N17-C-99999-0070	COIL, RF: antenna transformer; 20 kc; two wnd; round, aluminum can; 1.701" lg x 0.988" diam; melamine filled glass tubing, powdered iron core and shell; one form 0.406" OD x 1/4" lg, one form 0.406" OD x 1/4" lg; adj iron core; solder adj; mtd vertically by single 3/4"-32 bushing; five post type term located on end opposite from bushing; marked w/ RCA part/dwg # Std Navy Stock No. and nom oper freq; coil and core sealed within a shielded container, to withstand 48-hr salt spray test; RCA part/dwg C-746106-1	Type I Antenna Transformer, Band 1

**AN/SRR-11, AN/SRR-12,
AN/SRR-13, AN/SRR-13A
PARTS LIST**

NAVSHIPS 91875(A)

**Section 8
T-102—T-153**

T-102	N17-T-81385-1533	COIL, RF: antenna transformer; 40 kc; two wnd; round aluminum can; 1.701" lg x 0.988" diam; melamine filled glass tubing, powdered iron core and shell; one form 0.406" OD x 1/4" lg, one form 0.406" OD x 1/4" lg; adj iron core; scdr adj; mtd vertically by single 3/8"-32 bushing; five post type term located on end opposite from bushing; marked w/ RCA part/dwg #, Std Navy Stock No., and nom oper freq; coil and core sealed within a shielded container, to withstand 48-hr salt spray test; RCA part/dwg C-746106-2	Type I Antenna Transformer, Band 2
T-103	N17-T081403-1422	COIL, RF: antenna transformer; 100 kc; two wnd; round aluminum can; 1.357" lg x 0.720" diam; melamine filled glass tubing, powdered iron core and shell; one form 0.406" OD x 1/4" lg, one form 0.406" OD x 1/4" lg; adj iron core; scdr adj; mtd vertically by single 3/8"-32 bushing; five post type term located on end opposite from bushing; marked w/ RCA part/dwg #, Std Navy Stock No., and nom oper freq; coil and core sealed within a shielded container, to withstand 48-hr salt spray test; RCA part/dwg C-746106-3	Type I Antenna Transformer, Band 3
T-104	N17-T-81406-1515	COIL, RF: antenna transformer; 200 kc; two wnd; round aluminum can; 1.357" lg x 0.720" diam; melamine filled glass tubing, powdered iron core and shell; one form 0.406" OD x 1/4" lg, one form 0.406" OD x 1/4" lg; adj iron core; scdr adj; mtd vertically by single 3/8"-32 bushing; five post type term located on end opposite from bushing; marked w/ RCA part/dwg #, Std Navy Stock No., and nom oper freq; coil and core sealed within a shielded container, to withstand 48-hr salt spray test; RCA part/dwg C-746106-4	Type I Antenna Transformer, Band 4
T-105	N17-T081412-1526	COIL, RF: antenna transformer; 400 kc; two wnd; round aluminum can; 1.357" lg x 0.720" diam; melamine filled glass tubing, powdered iron core and shell; one form 0.406" OD x 1/4" lg, one form 0.406" OD x 1/4" lg; adj iron core; scdr adj; mtd vertically by single 3/8"-32 bushing; five post type term located on end opposite from bushing; marked w/ RCA part/dwg #, Std Navy Stock No., and nom oper freq; coil and core sealed within a shielded container, to withstand 48-hr salt spray test; RCA part/dwg C-746106-5	Type I Antenna Transformer, Band 5
T-106 thru T-125		Not Used	
T-126	N16-C-99999-0051	COIL, RF: RF transformer; 20 kc; two wnd; round aluminum can; 1.701" lg x 0.988" diam; bakelite coils, powdered iron core and shell; one form 0.406" OD x 1/4" lg, one form 0.406" OD x 1/4" lg; adj iron core; scdr adj; mtd vertically by single 3/8"-32 bushing; five post type term located on end opposite from bushing; marked w/ RCA part/dwg #, Std Navy Stock No., and nom oper freq; to withstand 48-hr salt spray test, coil and core sealed within a shielded container; RCA part/dwg C-746106-6	Type I RF Transformer, Band 1
T-127	N17-T-81385-1535	COIL, RF: RF transformer; 40 kc; two wnd; round aluminum can; 1.701" lg x 0.988" diam; bakelite coils, powdered iron core and shell; one form 0.406" OD x 1/4" lg, one form 0.406" OD x 1/4" lg; adj iron core; scdr adj; mtd vertically by single 3/8"-32 bushing; five post type term located on end opposite from bushing; marked w/ RCA part/dwg #, Std Navy Stock No., and nom oper freq; coil and core sealed within a shielded container, to withstand 48-hr salt spray test; RCA part/dwg C-746106-7	Type I RF Transformer, Band 2
T-128	N17-T081403-1420	COIL, RF: RF transformer; 0.100 mc; two wnd; round aluminum can; 1.357" lg x 0.720" diam; bakelite coils, powdered iron core and shell; one form 0.406" OD x 1/4" lg, one form 0.406" OD x 1/4" lg; adj iron core; scdr adj; mtd vertically by single 3/8"-32 bushing; five post type term located on opposite end from bushing; marked w/ RCA part/dwg #, Std Navy Stock No., and nom oper freq; coil and core sealed within a shielded container, to withstand 48-hr salt spray test; RCA part/dwg C-746106-8	Type I RF Transformer, Band 3
T-129	N17-T-81406-1517	COIL, RF: RF transformer; 200 kc; two wnd; round aluminum can; 1.357" lg x 0.720" diam; bakelite coils, powdered iron core and shell; one form 0.406" OD x 1/4" lg, one form 0.406" OD x 1/4" lg; adj iron core; scdr adj; mtd vertically by single 3/8"-32 bushing; five post type term located on opposite end from bushing; marked w/ RCA part/dwg #, Std Navy Stock No., and nom oper freq; coil and core sealed within a shielded container, to withstand 48-hr salt spray test; RCA part/dwg C-746106-9	Type I RF Transformer, Band 4
T-130	N17-T-81412-1536	COIL, RF: RF transformer; 400 kc; two wnd; round aluminum can; 1.357" lg x 0.720" diam; bakelite coils, powdered iron core and shell; one form 0.406" OD x 1/4" lg, one form 0.406" OD x 1/4" lg; adj iron core; scdr adj; mtd vertically by single 3/8"-32 bushing; five post type term located on opposite end from bushing; marked w/ RCA part/dwg #, Std Navy Stock No., and nom oper freq; coil and core sealed within a shielded container, to withstand 48-hr salt spray test; RCA part/dwg C-746106-10	Type I RF Transformer, Band 5
T-131 thru T-150		Not Used	
T-151	N17-T-81746-5804	COIL, RF: mixer transformer; 20 kc; two wnd; round aluminum can; 1.701" lg x 0.988" diam; bakelite coils, powdered iron core and shell; one form 0.406" OD x 1/4" lg, one form 0.406" OD x 1/4" lg; adj iron core; scdr adj; mtd vertically by single 3/8"-32 bushing; five post type term located on opposite end from bushing; marked w/ RCA part/dwg #, Std Navy Stock No., and nom oper freq; coil and core sealed within a shielded container, to withstand 48-hr salt spray test; RCA part/dwg C-746106-11	Type I Mixer Transformer, Band 1
T-152	N17-T-81385-1537	COIL, RF: mixer transformer; 40 kc; two wnd; round aluminum can; 1.701" lg x 0.988" diam; bakelite coils, powdered iron core and shell; one form 0.406" OD x 1/4" lg, one form 0.406" OD x 1/4" lg; adj iron core; scdr adj; mtd vertically by single 3/8"-32 bushing; five post type term located on opposite end from bushing; marked w/ RCA part/dwg #, Std Navy Stock No., and nom oper freq; coil and core sealed within a shielded container, to withstand 48-hr salt spray test; RCA part/dwg C-746106-12	Type I Mixer Transformer, Band 2
T-153	N17-T-81403-1501	COIL, RF: mixer transformer; 0.100 mc; two wnd; round aluminum can; 1.357" lg x 0.720" diam; bakelite coils, powdered iron core and shell; one form 0.406" OD x 1/4" lg, one form 0.406" OD x 1/4" lg; adj iron core; scdr adj; mtd vertically by single 3/8"-32 bushing; five post type term located on opposite end from bushing; marked w/ RCA part/dwg #, Std Navy Stock No., and nom oper freq; coil and core sealed within a shielded container, to withstand 48-hr salt spray test; RCA part/dwg C-746106-13	Type I Mixer Transformer, Band 3

CONTRACT NObar-52014

TABLE 8-4. TABLE OF REPLACEABLE PARTS—Continued
RADIO RECEIVING SETS AN/SRR-11, AN/SRR-12, AN/SRR-13, AN/SRR-13A

REF. SYMBOL	STOCK NUMBERS SIGNAL CORPS STANDARD NAVY AIR FORCE	NAME OF PART AND DESCRIPTION	LOCATING FUNCTION
T-154	N17-T-81406-1527	COIL, RF: mixer transformer, 200 kc; two wnd; round aluminum can; 1.357" lg. x 0.720" diam; bakelite coils, powdered iron core and shell; one form 0.406" OD x 3/8" lg, one form 0.406" OD x 1/2" lg; adj iron core; scdr adj; mtd vertically by single 3/8"-32 bushing; five post type term located on opposite end from bushing; marked w/ RCA part/dwg #, Std Navy Stock No., and nom oper freq; coil sealed in plastic, to withstand 48-hr salt spray test; RCA part/dwg C-746106-14	Type I Mixer Transformer, Band 4
T-155	N16-C-99999-0047	COIL, RF: mixer transformer, 400 kc; two wnd; round aluminum can; 1.357" lg. x 0.720" diam; bakelite coils, powdered iron core and shell; one form 0.406" OD x 3/8" lg, one form 0.406" OD x 1/2" lg; adj iron core; scdr adj; mtd vertically by single 3/8"-32 bushing; five post type term located on opposite end from bushing; marked w/ RCA part/dwg #, Std Navy Stock No., and nom oper freq; coil sealed in plastic, to withstand 48-hr salt spray test; RCA part/dwg C-746106-15	Type I Mixer Transformer, Band 5
T-156 thru T-300		Not Used	
T-301	N17-T-82238-6028	COIL, RF: antenna transformer, 0.250/0.500 mc; two wnd; unshielded; 2 1/4" lg x 0.750" diam o/a; ceramic form, powdered iron core; adj iron core; scdr adj; mtd vertically by single 3/8"-32 mtg bushing; five post type term located on opposite end from bushing; marked w/ RCA part/dwg #, Std Navy Stock No., and nom oper freq; coil sealed in plastic, to withstand 48-hr salt spray test; RCA part/dwg C-746107-11	Type II Antenna Input Transformer, Band 1
T-302	N17-T-82246-1528	COIL, RF: antenna transformer, 0.500/1.000 mc; two wnd; unshielded; 2 1/4" lg x 0.750" diam o/a; ceramic form, powdered iron core; adj iron core; scdr adj; mtd vertically by single 3/8"-32 mtg bushing; five post type term located on opposite end from bushing; marked w/ RCA part/dwg #, Std Navy Stock No., and nom oper freq; coil sealed in plastic, to withstand 48-hr salt spray test; RCA part/dwg C-746107-12	Type II Antenna Input Transformer, Band 2
T-303	N17-T-82261-2150	COIL, RF: antenna transformer, 1 to 2 mc; two wnd; unshielded; 2 1/4" lg x 0.750" diam o/a; ceramic form, powdered iron core; adj iron core; scdr adj; mtd vertically by single 3/8"-32 mtg bushing; five post type term located on opposite end from bushing; marked w/ RCA part/dwg #, Std Navy Stock No., and nom oper freq; coil sealed in plastic, to withstand 48-hr salt spray test; RCA part/dwg C-746107-13	Type II Antenna Input Transformer, Band 3
T-304	N17-T-82261-5501	COIL, RF: antenna transformer, 2 to 4 mc; two wnd; unshielded; 2 1/4" lg x 0.750" diam o/a; ceramic form, powdered iron core; adj iron core; scdr adj; mtd vertically by single 3/8"-32 mtg bushing; five post type term located on opposite end from bushing; marked w/ RCA part/dwg #, Std Navy Stock No., and nom oper freq; coil sealed in plastic, to withstand 48-hr salt spray test; RCA part/dwg C-746107-14	Type II Antenna Input Transformer, Band 4
T-305	N17-T-82262-2501	COIL, RF: antenna transformer, 4 to 8 mc; two wnd; unshielded; 2 1/4" lg x 0.750" diam o/a; ceramic form, powdered iron core; adj iron core; scdr adj; mtd vertically by single 3/8"-32 mtg bushing; five post type term located on opposite end from bushing; marked w/ RCA part/dwg #, Std Navy Stock No., and nom oper freq; coil sealed in plastic, to withstand 48-hr salt spray test; RCA part/dwg C-746107-15	Type II Antenna Input Transformer, Band 5
T-306 thru T-325		Not Used	
T-326	N17-T-81484-9469	COIL, RF: interstage transformer, 0.250/0.500 mc; two wnd; unshielded; 2 1/2" lg. x 0.750" diam o/a; ceramic form, powdered iron core; adj iron core; scdr adj; mtd vertically by single 3/8"-32 bushing; five post type term located on opposite end from bushing; marked w/ RCA part/dwg #, Std Navy Stock No., and nom oper freq; coil sealed in plastic, to withstand 48-hr salt spray test; RCA part/dwg C-746107-1	Type II RF Transformer, Band 1
T-327	N17-T-81487-9469	COIL, RF: interstage transformer, 0.500/1.000 mc; two wnd; unshielded; 2 1/2" lg. x 0.750" diam o/a; ceramic form, powdered iron core; adj iron core; scdr adj; mtd vertically by single 3/8"-32 bushing; five post type term located on opposite end from bushing; marked w/ RCA part/dwg #, Std Navy Stock No., and nom oper freq; coil sealed in plastic, to withstand 48-hr salt spray test; RCA part/dwg C-746107-2	Type II RF Transformer, Band 2
T-328	N17-T-81487-4069	COIL, RF: interstage transformer, 1.000/2.000 mc; two wnd; unshielded; 2 1/2" lg. x 0.750" diam o/a; ceramic form, powdered iron core; adj iron core; scdr adj; mtd vertically by single 3/8"-32 bushing; five post type term located on opposite end from bushing; marked w/ RCA part/dwg #, Std Navy Stock No., and nom oper freq; coil sealed in plastic, to withstand 48-hr salt spray test; RCA part/dwg C-746107-3	Type II RF Transformer, Band 3
T-329	N17-T-82261-5601	COIL, RF: interstage transformer, 2 to 4 mc; two wnd; unshielded; 2 1/2" lg. x 0.750" diam o/a; ceramic form, powdered iron core; adj iron core; scdr adj; mtd vertically by single 3/8"-32 bushing; five post type term located on opposite end from bushing; marked w/ RCA part/dwg #, Std Navy Stock No., and nom oper freq; coil sealed in plastic, to withstand 48-hr salt spray test; RCA part/dwg C-746107-4	Type II RF Transformer, Band 4
T-330	N17-T-82262-2651	COIL, RF: interstage transformer, 4 to 8 mc; two wnd; unshielded; 2 1/2" lg. x 0.750" diam o/a; ceramic form, powdered iron core; adj iron core; scdr adj; mtd vertically by single 3/8"-32 bushing; five post type term located on opposite end from bushing; marked w/ RCA part/dwg #, Std Navy Stock No., and nom oper freq; coil sealed in plastic, to withstand 48-hr salt spray test; RCA part/dwg C-746107-5	Type II RF Transformer, Band 5

Part Number	Description	Notes
T-331 thru T-350	Type II Mixer Transformer, Band 1	
T-351	Type II Mixer Transformer, Band 2	
T-352	Type II Mixer Transformer, Band 3	
T-353	Type II Mixer Transformer, Band 4	
T-354	Type II Mixer Transformer, Band 3	
T-355	Filters Harmonics of 200 Kc	
T-356 thru T-450	Type III Antenna Input Transformer, Band 1	
T-451	Type III Antenna Input Transformer, Band 2	
T-452 thru T-500	Type III Antenna Input Transformer, Band 3	
T-501	Type III Antenna Input Transformer, Band 4	
T-502	Type III Antenna Input Transformer, Band 5	
T-503	Type III RF Unit Transformer, Band 1	
T-504	Not Used	
T-505	Not Used	
T-506 thru T-525	Not Used	
T-526	Not Used	

TABLE 8-4. TABLE OF REPLACEABLE PARTS—Continued
RADIO RECEIVING SETS AN/SRR-11, AN/SRR-12, AN/SRR-13, AN/SRR-13A

REF. SYMBOL	STOCK NUMBERS SIGNAL CORPS STANDARD NAVY AIR FORCE	NAME OF PART AND DESCRIPTION	LOCATING FUNCTION
T-527	N17-T-82282-2681	COIL, RF: RF transformer, freq 6.0 mc; two wnd; unshielded; 2 1/2" lg x 0.750" diam o/a; ceramic form, powdered iron core; adj iron core; scdr adj; mtd vertically by single 3/4"-32 bushing; five post type term located on opposite end from bushing; marked w/ RCA part/dwg #, Std Navy Stock No., and nom oper freq; coil sealed in plastic, to withstand 48-hr salt spray test; RCA part/dwg C-746108-7	Type III RF Unit Transformer, Band 2
T-528	N17-T-82269-9041	COIL, RF: RF transformer, freq 12.0 mc; two wnd; unshielded; 2 1/2" lg x 0.750" diam o/a; ceramic form, powdered iron core; adj iron core; scdr adj; mtd vertically by single 3/4"-32 bushing; five post type term located on opposite end from bushing; marked w/ RCA part/dwg #, Std Navy Stock No., and nom oper freq; coil sealed in plastic, to withstand 48-hr salt spray test; RCA part/dwg C-746108-8	Type III RF Unit Transformer, Band 3
T-529	N17-T-82287-5401	COIL, RF: RF transformer, freq 20.0 mc; two wnd; unshielded; 2 1/2" lg x 0.750" diam o/a; ceramic form, powdered iron core; adj iron core; scdr adj; mtd vertically by single 3/4"-32 bushing; five post type term located on opposite end from bushing; marked w/ RCA part/dwg #, Std Navy Stock No., and nom oper freq; coil sealed in plastic, to withstand 48-hr salt spray test; RCA part/dwg C-746108-9	Type III RF Unit Transformer, Band 4
T-530	N17-T-82266-8623	COIL, RF: RF transformer, freq 28.0 mc; two wnd; unshielded; 2 1/2" lg x 0.750" diam o/a; ceramic form, powdered iron core; adj iron core; scdr adj; mtd vertically by single 3/4"-32 bushing; five post type term located on opposite end from bushing; marked w/ RCA part/dwg #, Std Navy Stock No., and nom oper freq; coil sealed in plastic, to withstand 48-hr salt spray test; RCA part/dwg C-746108-10	Type III RF Unit Transformer, Band 5
T-531 thru T-550		Not Used	
T-551	N17-T-82300-1979	COIL, RF: RF transformer, freq 3.0 mc; two wnd; unshielded; 2 1/2" lg x 0.750" diam o/a; ceramic form, powdered iron core; adj iron core; scdr adj; mtd vertically by single 3/4"-32 bushing; five post type term located on opposite end from bushing; marked w/ RCA part/dwg #, Std Navy Stock No., and nom oper freq; coil sealed in plastic, to withstand 48-hr salt spray test; RCA part/dwg C-746108-1	Type III Mixer Transformer, Band 1
T-552	N17-T-82282-2701	COIL, RF: RF transformer, freq 6.0 mc; two wnd; unshielded; 2 1/2" lg x 0.750" diam o/a; ceramic form, powdered iron core; adj iron core; scdr adj; mtd vertically by single 3/4"-32 bushing; five post type term located on opposite end from bushing; marked w/ RCA part/dwg #, Std Navy Stock No., and nom oper freq; coil sealed in plastic, to withstand 48-hr salt spray test; RCA part/dwg C-746108-2	Type III Mixer Transformer, Band 2
T-553	N17-T-82269-9061	COIL, RF: RF transformer, freq 12.0 mc; two wnd; unshielded; 2 1/2" lg x 0.750" diam o/a; ceramic form, powdered iron core; adj iron core; scdr adj; mtd vertically by single 3/4"-32 bushing; five post type term located on opposite end from bushing; marked w/ RCA part/dwg #, Std Navy Stock No., and nom oper freq; coil sealed in plastic, to withstand 48-hr salt spray test; RCA part/dwg C-746108-3	Type III Mixer Transformer, Band 3
T-554	N17-T-82267-5237	COIL, RF: RF transformer, freq 20.0 mc; two wnd; unshielded; 2 1/2" lg x 0.750" diam o/a; ceramic form, powdered iron core; adj iron core; scdr adj; mtd vertically by single 3/4"-32 bushing; five post type term located on opposite end from bushing; marked w/ RCA part/dwg #, Std Navy Stock No., and nom oper freq; coil sealed in plastic, to withstand 48-hr salt spray test; RCA part/dwg C-746108-4	Type III Mixer Transformer, Band 4
T-555	N17-T-82266-8723	COIL, RF: RF transformer, freq 28 mc; two wnd; unshielded; 2 1/2" lg x 0.750" diam o/a; ceramic form, powdered iron core; adj iron core; scdr adj; mtd vertically by single 3/4"-32 bushing; five post type term located on opposite end from bushing; marked w/ RCA part/dwg #, Std Navy Stock No., and nom oper freq; coil sealed in plastic, to withstand 48-hr salt spray test; RCA part/dwg C-746108-5	Type III Mixer Transformer, Band 5
T-556 thru T-702		Not Used	
T-703	N17-T-67517-4424	TRANSFORMER, IF: 200 kc peak freq; 1st IF unit IF transformer; shielded; 1.304" max high x 0.572" diam o/a; powdered iron core; single tuned; adj iron core tuning; single mtg bushing 1/4"-32 thd x 0.329" lg thd; four solder lug term; 1st term marked A and C, sec term marked B and D; RCA part/dwg C-746104-25	Output Transformer, Type I, 1st IF Unit
T-704 thru T-800		Not Used	
T-801		Same as T-703	Output Transformer, Type II, 1st IF Unit
T-802 thru T-900		Not Used	
T-901		Same as T-703	Output Transformer, Type III, 1st IF Unit

**AN/SRR-11, AN/SRR-12,
AN/SRR-13, AN/SRR-13A
PARTS LIST**

NAVSHIPS 91875(A)

**Section 8
T-902—V-326**

T-1002 thru T-1010			Not Used		Element of Z-1005
T-1011	N17-T-67517-4374		TRANSFORMER, IF; peak freq 200 kc, pri inductance 2.12 mh p/m 8%; 2nd IF assem; shielded; 1.3045" h x 0.572" diam o/a; 0.601 h less term and tuning slug; powdered iron core; single tuned; adj iron core tuning; single mtg bushing, 1/4"-32 thd x 0.2285" lg thd; four post type term; term marked A, B, C, D; oper temp range from -54° C to +85° C; RCA part/dwg C-746104-30. Not used in AN/SRR-13A		Element of Z-1007
T-1012			Same as T-1011. Not used in AN/SRR-13A		Element of Z-1011
T-1013	N17-T-67517-4469		TRANSFORMER, IF; 200 kc peak freq; 2nd IF unit IF transformer; shielded; 1.304" max high x 0.572" diam o/a; powdered iron core; single tuned; adj iron core tuning; single mtg bushing, 1/4"-32 thd x 0.329" lg thd; four solder lug term; pri term marked A and C; sec marked B and D; oper temp range -54° C to +85° C; pri rated 0 ma; 0.0 v test voltage between wnd; RCA part/dwg C-746104-29		Tuning Indicator Circuit Transformer
T-1014	N16-C-99999-0055		COIL, RF; 200 kc; two wnd; round aluminum can; 1.357" lg x 0.720" diam; bakelite coils, powdered iron core and shell; one form 0.406" OD x 1/8" lg, one form 0.406" OD x 1/2" lg; adj iron core; secr adj; mtg vertically by single 1/4"-32 bushing; five post type term located on opposite end from binding; marked w/ RCA part/dwg #, Std Navy Stock No., and nom oper freq; coil and core sealed within a shielded container, to withstand 48-hr salt spray test; RCA part/dwg C-746106-16		Element of Z-1017
T-1015			Same as T-1011; p/o Z-1017. Used in AN/SRR-13A		Element of Z-1018
T-1016			Same as T-1011; p/o Z-1018. Used in AN/SRR-13A		Couples V-1109 to Audio Output Circuits
T-1017 thru T-1100			Not Used		
T-1101	N17-T-64402-5501		TRANSFORMER, AF; plate coupling type; pri 2000 ohms min impedance, secd 150 ohms resistive load, ter 200 ohms resistive load CT; HS metal case; 2 3/4" lg x 1 1/4" sq o/a; 1/4" w max audio oper level; turns ratio pri to secd 7.14 to 1 p/m 3%; pri to ter 6 to 1 p/m 3%; freq response 200 cps to 8000 cps; secd and ter wnd shielded; seven solder lug term on bottom; four #6-32 x 1/4" lg mtg studs on 1/4" x 1/4" mtg/c located on bottom; oper temp range -54° C to +85° C; RSW immersion, marked in accordance w/ JAN-T-27; RCA part/dwg A-8842479-1		
T-1102 thru T-1600			Not Used		Supplies Plate and Heater Voltages
T-1601	N17-T-73701-5366		TRANSFORMER, POWER; filament and plate type; 125 v input, tapped for 115 v, and 105 v, 60 cye single phase; 3 output wnd; secd #1, 460 v at 119 ma RMS CT; secd #2, 20.8 v w/ taps for 6.4 v at 5 amp CT; 14 v at 150 ma and 6.4 v at 9 ma, secd #3, 5.3 v at 270 ma; air coolant, impr in accordance w/ MIL-T-27 for Grade 1 Class A; HS metal case; 4 1/4" lg x 3 1/4" wd x 3 1/4" thk; 14 solder lug term w/ 1/4" h on top of case; four #8-32 x 1/4" lg mtg studs on 2 1/4" x 2 1/4" mtg/c; derated for 85° C ambient temp, family 68, electrostatic shield between pri and secd; RCA part/dwg K-8889252-1		Antenna Unit Amplifier
V-101	N16-T-75699		TUBE, ELECTRON; JAN 5899; sub-miniature pentode; p/o Z-101		Type I RF Unit Amplifier
V-102 thru V-125			Not Used		Type I Mixer
V-126			Same as V-101; p/o Z-126		Type I Local Oscillator
V-127 thru V-150			Not Used		Type II Antenna Amplifier Unit
V-151	N16-T-75636		TUBE, ELECTRON; JAN 5636; sub-miniature pentode mixer; p/o Z-151		Type II RF Unit Amplifier
V-152 thru V-200			Not Used		
V-201	N16-T-75840		TUBE, ELECTRON; JAN 5840; sub-miniature pentode; p/o Z-201		
V-202 thru V-300			Not Used		
V-301			Same as V-101		
V-302 thru V-325			Not Used		
V-326			Same as V-101		

CONTRACT NObsr-52014

TABLE 8-4. TABLE OF REPLACEABLE PARTS—Continued
RADIO RECEIVING SETS AN/SRR-11, AN/SRR-12, AN/SRR-13, AN/SRR-13A

REF SYMBOL	STOCK NUMBERS SIGNAL CORPS STANDARD NAVY AIR FORCE	NAME OF PART AND DESCRIPTION	LOCATING FUNCTION
V-327 thru V-350		Not Used	
V-351		Same as V-151	
V-352	N16-T-75718	TUBE, ELECTRON: JAN 5718; sub-miniature triode; p/o Z-351	Type II Mixer Cathode Follower Output for Panoramic Output
V-353 thru V-400		Not Used	
V-401		Same as V-201	
V-402 thru V-500		Not Used	Type II Local Oscillator
V-501		Same as V-101	
V-502 thru V-525		Not Used	Type III Antenna Unit Amplifier
V-526		Same as V-101	
V-527 thru V-550		Not Used	Type III RF Unit Amplifier
V-551		Same as V-151	
V-552		Same as V-352	
V-553 thru V-600		Not Used	Type III Mixer C. F. Output for Panoramic Output
V-601		Same as V-201	
V-602 thru V-700		Not Used	Type III Local Oscillator
V-701		Same as V-151	
V-702 thru V-800		Not Used	Second Converter, Type I, 1st IF Unit
V-801		Same as V-151	
V-802 thru V-900		Not Used	Second Converter, Type II, 1st IF Unit
V-901		Same as V-151	
V-902 thru V-1000		Not Used	Second Converter, Type III, 1st IF Unit
V-1001		Same as V-101	
V-1002		Same as V-101	First Amplifier, 2nd IF Unit
V-1003		Same as V-101	Second Amplifier, 2nd IF Unit
V-1004		Same as V-151	Final Amplifier, 2nd IF Unit BFO Mixer

**AN/SRR-11, AN/SRR-12,
AN/SRR-13, AN/SRR-13A
PARTS LIST**

NAVSHIPS 91875(A)

**Section 8
V-1005—V-1502**

V-1005	N16-T-75647	TUBE, ELECTRON: JAN 5647; sub-miniature single diode; p/o Z-1012. Used on AN/SRR-11 equipments w/ serial numbers 1 thru 1275 and on AN/SRR-13A equipments w/ serial numbers 1 thru 1430	Detector
*V-1005	N16-T-76006	CRYSTAL UNIT, RECTIFYING: RETMA type 1N458; diode detector; one piece; fusion sealed glass envelope; black finish; saturation voltage 150 v min; forward current at +1 v 7 ma min; reverse current at 25° C, 0.25 microamp at 125 v; reverse current at 150° C, 0.005 ma at 125 v; forward steady state DC 80 ma max; forward average rect current 55 ma max; surge current for 1 sec 500 ma max; ambient temp range -80° C to +200° C; 0.265" lg less term x 0.105" diam; term mid; tinned domet wire term; Hughes Aircraft Co. Code S2557 Type HD6007. Used on AN/SRR-11 equipments bearing serial numbers 1276 and above and on AN/SRR-13A equipments bearing serial numbers 1431 and above	Detector
V-1006		Same as V-1005	Automatic Gain Control Delay Diode
V-1007		Same as V-352	Cathode Follower Output, Amplifier Frequency Shift IF Output
V-1008 thru V-1100		Not Used	
V-1101		Same as V-1005. Used on AN/SRR-11 equipments w/ serial numbers 1 thru 1275 and on AN/SRR-13A equipments w/ serial numbers 1 thru 1430	Audio Noise Limiting
*V-1101		Same as alternate V-1005	Audio Noise Limiting
V-1102		Same as V-352	1st Audio Amplifier
V-1103		Same as V-1005. Used on AN/SRR-11 equipments w/ serial numbers 1 thru 1275 and on AN/SRR-13A equipments w/ serial numbers 1 thru 1430	Silencer Diode
*V-1103		Same as alternate V-1005	Silencer Diode
V-1104	N16-T-75719	TUBE, ELECTRON: JAN 5719; sub-miniature triode; p/o Z-1104	Silencer Control Amplifier
V-1105		Same as V-352	2nd Audio Amplifier
V-1106		Same as V-1005. Used on AN/SRR-11 equipments w/ serial numbers 1 thru 1275 and on AN/SRR-13A equipments w/ serial numbers 1 thru 1430	Limiter Diode
*V-1106		Same as alternate V-1005	Audio Noise Limiting
V-1107		Same as V-1005. Used on AN/SRR-11 equipments w/ serial numbers 1 thru 1275 and on AN/SRR-13A equipments w/ serial numbers 1 thru 1430	Limiter Diode
*V-1107		Same as alternate V-1005	Limiter Diode
V-1108		Same as V-1104	3rd Audio Amplifier
V-1109	N16-T-75902	TUBE, ELECTRON: JAN 5902; sub-miniature beam power pentode; p/o Z-1109	Final Audio Amplifier
V-1110 thru V-1200		Not Used	
V-1201		Same as V-352	Crystal Oscillator, Type III Calibrator
V-1202		Same as V-352	Antenna, Type III Calibrator
V-1203 thru V-1300		Not Used	
V-1301		Same as V-201	BFO
V-1302 thru V-1400		Not Used	
V-1401		Same as V-352	Crystal Oscillator, Type I Calibrator
V-1402		Same as V-151	Multivibrator, Type I Calibrator
V-1403 thru V-1500		Not Used	
V-1501		Same as V-352	Crystal Oscillator, Type II Calibrator
V-1502		Same as V-352	Amplifier, Type II Calibrator

CONTRACT NObar-62014 * Alternate item.

TABLE 8-4. TABLE OF REPLACEABLE PARTS—Continued
RADIO RECEIVING SETS AN/SRR-11, AN/SRR-12, AN/SRR-13, AN/SRR-13A

REF. SYMBOL	STOCK NUMBERS SIGNAL CORPS STANDARD NAVY AIR FORCE	NAME OF PART AND DESCRIPTION	LOCATING FUNCTION
V-1503 thru V-1600		Not Used	
V-1601	For Replacement Use N16-T-56840-60	TUBE, ELECTRON: JAN 6X4; full-wave vacuum rect	With V-1602, Rectifies Plate Supply Voltage
V-1602		Same as V-1601	
V-1603	N16-T-75644	TUBE, ELECTRON: JAN 5644; sub-miniature v regulator	With V-1601, Rectifies Plate Supply Voltage
W-101	Shop Manufacture	BAR, BUS: copper strip, 2 $\frac{3}{8}$ " lg x 1 $\frac{1}{2}$ " wd x 1 $\frac{1}{8}$ " h x 0.0201" thk; LH; RCA part/dwg A-8825740-2	Regulates Local Oscillator Plate Voltage
W-102	Shop Manufacture	BAR, BUS: 2 $\frac{1}{2}$ " lg x 1 $\frac{1}{2}$ " wd x 1 $\frac{1}{4}$ " h x 0.0201" thk; LH; RCA part/dwg A-8825741-2	Connects E-101 to Circuit Wiring
W-103 thru W-125		Not Used	Connects E-102 to Circuit Wiring
W-126	Shop Manufacture	BAR, BUS: copper strip, 2 $\frac{3}{8}$ " lg x 1 $\frac{1}{2}$ " wd x 1 $\frac{1}{8}$ " h x 0.0201" thk; RH; RCA part/dwg A-8825740-1	Connects E-126 to Circuit Wiring
W-127	Shop Manufacture	BAR, BUS: 2 $\frac{1}{2}$ " lg x 1 $\frac{1}{2}$ " wd x 1 $\frac{1}{4}$ " h x 0.0201" thk; RH; RCA part/dwg A-8825741-1	Connects E-127 to Circuit Wiring
W-128 thru W-150		Not Used	
W-151		Same as W-126	Connects E-151 to Circuit Wiring
W-152		Same as W-127	Connects E-152 to Circuit Wiring
W-153 thru W-200		Not Used	
W-201		Same as W-126	Connects E-201 to Circuit Wiring
W-202	Shop Manufacture	BUS BAR: copper; rectangular cross section; solid; cross sectional dimen. 3 $\frac{1}{2}$ " wd w/ 1 $\frac{1}{4}$ " wd section at end; 0.0201" thk; 2 $\frac{3}{8}$ " lg o/a; 1 $\frac{1}{4}$ " d; 0.120" diam hole at 1 $\frac{1}{4}$ " wd end for mtg; bent as shown in RCA part/dwg w/ hook at one end and mount at other; silver and gold pl finish; RCA part/dwg A-8825741-3	Connects E-202 to Circuit Wiring
W-203 thru W-300		Not Used	
W-301		Same as W-126	Connects E-301 to Circuit Wiring
W-302	Shop Manufacture	BAR, BUS: copper finishes w/ gold pl over silver pl, 1 $\frac{13}{16}$ " lg x 1 $\frac{1}{2}$ " wd x 1 $\frac{1}{4}$ " h x 0.020" thk o/a; hook 1 $\frac{1}{4}$ " lg one end, other end has mtg hole 0.120" diam; "L" shape; RCA part/dwg A-8829176-2	Connects E-302 to Circuit Wiring
W-303	Shop Manufacture	BAR, BUS: copper finishes w/ gold pl over silver pl, 2 $\frac{1}{2}$ " lg x 1 $\frac{1}{2}$ " wd x 1 $\frac{1}{4}$ " h x 0.020" thk o/a; hook 1 $\frac{1}{4}$ " lg one end, other end has mtg hole 0.120" diam; "L" shape; RCA part/dwg A-8829176-1	Connects E-303 to Circuit Wiring
W-304		Same as W-101	Connects E-304 to Circuit Wiring
W-305 thru W-325		Not Used	
W-326		Same as W-126	Connects E-362 to Circuit Wiring
W-327		Same as W-202	Connects E-327 to Circuit Wiring
W-328 thru W-350		Not Used	
W-351		Same as W-126	Connects E-351 to Circuit Wiring
W-352		Same as W-127	Connects E-352 to Circuit Wiring

AN/SRR-11, AN/SRR-12,
AN/SRR-13, AN/SRR-13A
PARTS LIST

NAVSHIPS 91875(A)

Section 8
W-353-X-702

W-353 thru W-400	Not Used		
W-401	Same as W-126		
W-402	Same as W-202		
W-403 thru W-500	Not Used		
W-501	Same as W-126		
W-502	Same as W-302		
W-503	Same as W-303		
W-504	Same as W-101		
W-505 thru W-525	Not Used		
W-526	Same as W-126		
W-527	Same as W-127		
W-528 thru W-550	Not Used		
W-551	Same as W-126		
W-552	BAR, BUS: copper; 2 1/8" lg x 1/2" wd x 1/4" thk; RCA part/dwg A-8810449-1		
W-553 thru W-600	Not Used		
W-601	Same as W-126		
W-602	Same as W-202		
X-101 thru X-250	Not Used		
X-251	LIGHT, INDICATOR: w/ lens; convex lens, clear on the outside and frosted on the inside; 1/2" effective diam; for miniature bayonet base, T-3 3/4 bulb; oper voltage 120 v DC nom; enclosed shell; brass body; phenolic socket, lens holder and body black nickel finish; 2 1/4" lg x 1 1/4" diam o/a approx incl mtg hdw; 1 1/4" diam mtg hole required; 1/4" max panel thk; horizontally mtd socket lamp, replaceable from front of panel; slotted jewel; two solder term located on bottom of base; dimmer cap to be total blackout type, incl 100,000-ohm built-in resistor, to withstand salt spray test for 100 hrs, oper temp -54° C to +85° C; spec JAN-P-14; RCA part/dwg B-460884-1		
X-252 thru X-450	Not Used		
X-451	Same as X-251		
X-452 thru X-650	Not Used		
X-651	Same as X-251		
X-652 thru X-700	Not Used		
X-701	SOCKET, CRYSTAL: NT 491932; ceramic body; beryllium copper, silver pl cont; two cont spaced 0.486" c to c; term not tin dipped; oval shape; 3/4" lg x 1/2" wd x 1/4" thk, less term, term extent 1 1/4" beyond body; single 0.125" diam mtg hole centrally located; marked w/ NTF; Eby Cat #9006; RCA part/dwg K-8893206-1		N17-L-76737-2765
X-702	CONNECTOR, RECEPTACLE: eight round female cont; straight type; used as receptacle for 1st IF assem; 1 1/2" lg x 1" wd x 1/4" thk; 1000 v RMS, 5 amp; rectangular phenolic body, single 0.765" diam hole in ctr; two 0.125" diam mtg holes on 0.887" x 0.937" ctr; RCA part/dwg C-744593-2		N16-S-54287-5051
			N17-C-73255-1514

CONTRACT NObr-52014

TABLE 8-4. TABLE OF REPLACEABLE PARTS—Continued
RADIO RECEIVING SETS AN/SRR-11, AN/SRR-12, AN/SRR-13, AN/SRR-13A

REF SYMBOL	STOCK NUMBERS SIGNAL CORPS STANDARD NAVY AIR FORCE	NAME OF PART AND DESCRIPTION	LOCATING FUNCTION
X-703 thru X-800		Not Used	
X-801		Same as X-701	Socket for Y-801. P/o E-801
X-802		Same as X-702	Socket for Z-801
X-803 thru X-900		Not Used	
X-901		Same as X-701	Socket for Y-901. P/o E-901
X-902		Same as X-702	Socket for Z-901
X-903 thru X-1000		Not Used	
X-1001		Same as X-702	Socket for Z-1004
X-1002		Same as X-702	Socket for Z-1006
X-1003		Same as X-702	Socket for Z-1008
X-1004		Same as X-702	Socket for Z-1010
X-1005	N17-C-73224-1698	CONNECTOR, RECEPTACLE; six round female cont; straight type; used as receptacle for 2nd IF plug in unit; 1" lg x 3/4" wd x 1/2" thk; 1000 v RMS, 5 amp; rectangular phenolic body, single butterfly shape hole in ctr; two 0.128" diam mtg holes on 0.687" mtg/c; RCA part/dwg C-744591-2	Socket for Z-1012
X-1006		Same as X-1005	Socket for Z-1013
X-1007		Same as X-702	Socket for Z-1014
X-1008 thru X-1100		Not Used	
X-1101		Same as X-1005	Socket for Z-1101
X-1102		Same as X-702	Socket for Z-1102
X-1103		Same as X-1005	Socket for Z-1103
X-1104		Same as X-702	Socket for Z-1104
X-1105		Same as X-702	Socket for Z-1105
X-1106		Same as X-1005	Socket for Z-1106
X-1107		Same as X-1005	Socket for Z-1107
X-1108		Same as X-702	Socket for Z-1108
X-1109		Same as X-702	Socket for Z-1109
X-1110 thru X-1200		Not Used	
X-1201		Same as X-702	Socket for Z-1201
X-1202		Same as X-702	Socket for Z-1202
X-1203		Same as X-701	Socket for Y-1201
X-1204 thru X-1300		Not Used	

AN/SRR-11, AN/SRR-12,
AN/SRR-13, AN/SRR-13A
PARTS LIST

NAVSHIPS 91875(A)

Section 8
X-1301-Y-701

X-1301	Same as X-702	Socket for Z-1302
X-1302 thru X-1400	Not Used	
X-1401	Same as X-702	Socket for Z-1401
X-1402	Same as X-702	Socket for Z-1402
X-1403	Same as X-701	Socket for Y-1401
X-1404 thru X-1500	Not Used	
X-1501	Same as X-702	Socket for Z-1501
X-1502	Same as X-702	Socket for Z-1502
X-1503	Same as X-701	Socket for Y-1501
X-1504 thru X-1600	Not Used	
X-1601	For Replacement Use N16-S-63515-4162	Socket for C-1601
X-1602		Socket for C-1602
X-1603	N16-S-62603-6446	Socket for V-1602
X-1604		Socket for R-1605
X-1605		Socket for V-1601
X-1606	N17-F-74267-5075	Socket for F-1601
X-1607		Socket for F-1602
X-1608 thru X-3600	Not Used	
X-3601		Socket for I-3601
X-3602	N17-L-51623-1001	Socket for I-3602
X-3603 thru X-3700		
X-3701		Socket for I-3701
X-3702		Socket for I-3702
X-3703 thru X-3800		
X-3801		Socket for I-3801
X-3802		Socket for I-3802
Y-101 thru Y-700		
Y-701	N16-C-66205-1201	Crystal for 2nd Local Oscillator, Type I 1st IF Unit

CHANGE 1

8-93

CONTRACT NObar-52014

TABLE 8-4. TABLE OF REPLACEABLE PARTS—Continued
RADIO RECEIVING SETS AN/SRR-11, AN/SRR-12, AN/SRR-13, AN/SRR-13A

REF. SYMBOL	STOCK NUMBERS SIGNAL CORPS STANDARD NAVY AIR FORCE	NAME OF PART AND DESCRIPTION	LOCATING FUNCTION
Y-702 thru Y-800		Not Used	
Y-801	N16-C-96826-7063	CRYSTAL UNIT, QUARTZ: c/o one xtal plate in HC-6/U holder; 1400 kc; operable temp range -50° C to +90° C; two pins spaced on bottom 0.486" c to c; solid pins 0.050" diam x 0.243" lg; oval shape body, 0.788" lg x 0.760" wd x 0.345" thk; oper temp +85° C p/m 5° C; spec MIL-C-3098; RCA part/dwg K-883272-3	Crystal for 2nd Local Oscillator, Type II 1st IF Unit
Y-802 thru Y-900		Not Used	
Y-901		Same as Y-801	Crystal for 2nd Local Oscillator, Type III 1st IF Unit
Y-902 thru Y-1200		Not Used	
Y-1201	N16-C-96249-9999	CRYSTAL UNIT, QUARTZ: one xtal plate; 200 kc; -40° C to +85° C temp range; two pins spaced on bottom 0.486" c to c; solid pins 0.050" diam x 0.243" lg; oval shape body, 0.788" lg x 0.750" wd x 0.345" thk; RCA part/dwg A-8837466-5	Crystal for Type III Calibrator
Y-1202 thru Y-1400		Not Used	
Y-1401	N16-C-96132-4201	CRYSTAL UNIT, QUARTZ: one xtal plate; 50 kc; operable temp range -40° C to +85° C; two pins spaced on bottom 0.486" c to c; solid pins 0.050" diam x 0.243" lg; oval shape body, 1.538" lg x 0.750" wd x 0.345" thk; RCA part/dwg A-8837466-2	Crystal for Type I Calibrator
Y-1402 thru Y-1500		Not Used	
Y-1501	N16-C-96131-6651	CRYSTAL UNIT, QUARTZ: one xtal plate; 50 kc; -40° C to +85° C oper temp range; two pins spaced 0.486" c to c on bottom; solid pins 0.050" diam x 0.243" lg; oval shape body 0.788" lg x 0.250" wd x 0.345" thk; RCA part/dwg A-8837466-4	1st IF Crystal on SRR-12
Z-101	N16-R-33591-1358	RECEIVER SUB-ASSEMBLY: antenna coupling stage fixed components; c/o four fixed capacitors C-104, C-105, C-106, C-107, two fixed resistors R-108, R-109, one shield mount E-106, one term board assem E-109, one vacuum tube V-101 Jan-5899, c/o all fixed electrical components used in antenna coupling stage for AN/SRR-11 receiver; rectangular shape; 3" lg x 1 1/2" h x 1 1/2" wd o/s; mts by two pins 0.093" diam on 1.156" mtg/c; marked w/ symbols; end opposite mtg pins has spring and cap arrangement to secure end using cover lid pressure on spring; RCA part/dwg A-8838476-501	Plug-in Sub-Assembly, Type I Antenna Unit
Z-102 thru Z-125		Not Used	
Z-126	N16-R-33591-1357	RECEIVER SUB-ASSEMBLY: 1st rf stage fixed electrical components; c/o one fixed capacitor C-142, two fixed resistors R-127, R-128, one shield mount E-129, one term board assem E-135, one vacuum tube V-126 Jan-5899; c/o all fixed electrical components used in 1st rf stage for AN/SRR-11 receiver; rectangular shape; 3" lg x 1 1/2" h x 1 1/2" wd o/s; mts by two pins 0.093" diam on 1.156" mtg/c; marked w/ symbols; end opposite mtg pins has spring and cap arrangement to secure end using cover lid pressure on spring; RCA part/dwg A-8838476-502	Plug-in Sub-Assembly, Type I RF Unit
Z-127 thru Z-150		Not Used	
Z-151	N16-R-33591-1356	RECEIVER SUB-ASSEMBLY: mixer stage fixed components; c/o two fixed capacitors C-161, C-162, three fixed resistors R-154, R-155, R-156, one shield mount E-155, one term board assem E-159, one vacuum tube V-151 Jan-5636; c/o all fixed electrical components used in mixer stage for AN/SRR-11 receiver; rectangular shape; 3" lg x 1 1/2" h x 1 1/2" wd o/s; mts by two pins 0.093" diam on 1.156" mtg/c; marked w/ symbols; end opposite mtg pins has spring and cap arrangement to secure end using cover lid pressure on spring; RCA part/dwg A-8838476-503	Plug-in Sub-Assembly, Type I Mixer Unit
Z-152 thru Z-200		Not Used	

**AN/SRR-11, AN/SRR-12,
AN/SRR-13, AN/SRR-13A
PARTS LIST**

NAVSHIPS 91875(A)

**Section 8
Z-201-Z-700**

Z-201	N16-R-33591-1359	RECEIVER SUB-ASSEMBLY: local osc stage fixed electrical components; c/o five fixed capacitors C-223, C-224, C-225, C-226, C-227, five fixed resistors R-201, R-202, R-203, R-204, R-205, one shield mount E-206, one term board assem E-210, one vacuum tube V-201 JAN-5840; c/o all fixed electrical components used in local osc stage for AN/SRR-11 receiver; rectangular shape; 3" lg x 1 1/4" h x 1 1/4" wd o/a; mts by two pins 0.063" diam on 1.156" mtg/c; marked w/ symbols; end opposite mtg pins has spring and cap arrangement to secure end using cover lid pressure on spring; RCA part/dwg A-8838476-504	Plug-in Sub-Assembly, Type I Oscillator Unit
Z-202 thru Z-300		Not Used	
Z-301	N16-A-38801-1157	AMPLIFIER, SUB-ASSEMBLY: c/o one term board assem RCA part/dwg T-629844-504, one tube JAN-5899, two resistors, two capacitors and the necessary wire and sleeving; rectangular shape w/ two cut-outs on one end; 3" lg x 1 1/4" wd x 0.969" thk o/a; mts by bkt on one end; RCA part/dwg A-8838477-501	Plug-in Sub-Assembly, Type II Antenna Unit
Z-302 thru Z-325		Not Used	
Z-326	N16-A-38801-1155	AMPLIFIER, SUB-ASSEMBLY: c/o one term board assem RCA part/dwg T-629844-510, one tube JAN-5899, two capacitors, two resistors and the necessary wire and sleeving; rectangular shape w/ two cut-outs on one end; 3" lg x 1 1/4" wd x 0.969" thk o/a; mts by bkt on one end; RCA part/dwg A-8838477-502	Plug-in Sub-Assembly, Type II RF Unit
Z-327 thru Z-350		Not Used	
Z-351	N16-A-38801-1163	AMPLIFIER, SUB-ASSEMBLY: c/o one term board assem RCA part/dwg T-629844-501, one tube JAN-5718, one tube JAN-5636, six capacitors, seven resistors and the necessary wire and sleeving; rectangular shape w/ two cut-outs on one end; 3" lg x 1 1/4" wd x 0.969" thk o/a; mts by bkt on one end; RCA part/dwg A-8838477-503	Plug-in Sub-Assembly, Type II Mixer Unit
Z-352 thru Z-400		Not Used	
Z-401	N16-A-38801-1152	AMPLIFIER, SUB-ASSEMBLY: c/o one term board assem RCA part/dwg T-629844-503, four capacitors C-421, C-424, C-422, C-423, five resistors R-326, R-327, R-328, R-330, R-329, one tube V-305 JAN-5840; rectangular shape w/ two cut-outs on one end; 3" lg x 1 1/4" wd x 0.969" thk o/a; mts by bkt on one end; RCA part/dwg A-8838477-504	Plug-in Sub-Assembly, Type II Oscillator Unit
Z-402 thru Z-500		Not Used	
Z-501	N16-A-38801-1159	AMPLIFIER, SUB-ASSEMBLY: used w/ RF amplifier; c/o one term board assem RCA part/dwg T-629844-508, four capacitors C-534, C-535, C-536, C-538, three resistors R-501, R-502, R-503, one tube V-501 JAN-5899; rectangular shape; 3" lg x 1 1/4" h x 1 1/4" wd; plug-in mtd; RCA part/dwg A-8838478-501	Plug-in Sub-Assembly, Type III Antenna Unit
Z-502 thru Z-525		Not Used	
Z-526	N16-A-38801-1153	AMPLIFIER, SUB-ASSEMBLY: used w/ RF amplifier; c/o one term board assem RCA part/dwg T-629844-511, one capacitor C-565, three capacitors C-566, C-567, C-568, four resistors R-511, R-512, R-513, R-514, one tube V-502 JAN-5899; rectangular shape; 3" lg x 1 1/4" h x 1 1/4" wd; plug-in mtd; RCA part/dwg A-8838478-502	Plug-in Sub-Assembly, Type III RF Unit
Z-527 thru Z-550		Not Used	
Z-551	N16-C-91201-1027	CONVERTER, SUB-ASSEMBLY: provides mtg for tube, and associated components of freq converter; c/o one term board assem RCA part/dwg T-629844-508, six capacitors C-599, C-603, C-601, C-605, C-602, C-604, seven resistors R-521, R-522, R-523, R-524, R-527, R-526, one tube V-503 JAN-5718, one tube V-504 JAN-5636; rectangular; 3" lg x 1 1/4" h x 1 1/4" wd; plug-in mtd; RCA part/dwg A-8838478-503	Plug-in Sub-Assembly, Type III Mixer Unit
Z-552 thru Z-600		Not Used	
Z-601	N16-R-33591-1387	OSCILLATOR, SUB-ASSEMBLY: provides mtg for tube, and associated components of oscillator; c/o one term board assem RCA part/dwg T-629844-512, eight capacitors C-632, C-635, C-633, C-634, C-638, C-636, C-637, C-639, four resistors R-531, R-532, R-533, R-534, one tube V-505 JAN 5840; rectangular shape; 3" lg x 1 1/4" h x 1 1/4" wd; plug-in mtd; RCA part/dwg A-8838478-504	Plug-in Sub-Assembly, Type III Oscillator Unit
Z-602 thru Z-700		Not Used	

TABLE 8-4. TABLE OF REPLACEABLE PARTS—Continued
RADIO RECEIVING SETS AN/SRR-11, AN/SRR-12, AN/SRR-13, AN/SRR-13A

REF. SYMBOL	STOCK NUMBERS SIGNAL CORPS STANDARD NAVY AIR FORCE	NAME OF PART AND DESCRIPTION	LOCATING FUNCTION
Z-701	N16-C-91201-1019	CONVERTER, SUB-ASSEMBLY: provides mtg for tube, and associated components of freq converter; c/o one chassis RCA part/dwg T-628798-508, one connector RCA part/dwg C-744593-1, one latch RCA part/dwg A-8831124-501, four capacitors C-714, C-716, C-717, C-718, three resistors R-702, R-703, R-704, 1 tube JAN 5636; 6.3 v 150 ma heater, 120 v DC power supply; input freq 60 kc, output freq, 200 kc; rectangular; 2 1/2" lg x 1 1/4" wd x 1 1/4" thk o/a approx; mts by plugging into socket, held in place by latch located on top; when used w/ external xtal provides oscillation at 140 kc required for freq conversion; RCA part/dwg A-8832323-501	Plug-in Sub-Assembly, Type I 1st IF Unit
Z-702	N16-F-32602-4376	FILTER, BAND PASS: mid freq 60 kc; bandwidth 59 kc to 61 kc; 3 1/4" lg x 2 1/4" h x 3/4" wd; 150,000 ohms input and output impedance; rectangular metal case; mts by two 0.156" diam mtg holes spaced 2.718" c to c; four solder lug term; HS; RCA part/dwg A-8833252-501	Selectivity Filter, Type I 1st IF Unit
Z-703 thru Z-800		Not Used	
Z-801	N16-C-91201-1017	CONVERTER, SUB-ASSEMBLY: provides mtg for tube, and associated components of freq converter; c/o one chassis RCA part/dwg T-628798-508, one connector RCA part/dwg C-744593-1, one latch RCA part/dwg A-8831124-501, three capacitors C-812, C-813, C-814, three resistors R-801, R-802, R-803, one tube V-901 JAN 5636; 6.3 v 150 ma heater, 120 v DC power supply; input freq 1600 kc, output freq 200 kc; rectangular; 2 1/2" lg x 1 1/4" wd x 1 1/4" thk o/a approx; mts by plugging into socket, held in place by latch located on top; when used w/ external xtal provides oscillation at 1400 kc required for freq conversion; RCA part/dwg A-8833233-502	Plug-in Sub-Assembly, Type II 1st IF Unit
Z-802	N16-F-32681-1001	FILTER, BAND PASS: mid freq 1600 kc, bandwidth 1588 kc to 1612 kc; 3 1/4" lg x 2 1/4" h x 3/4" wd; 100,000 ohms input and output impedance; rectangular metal case; mts by two 0.156" diam holes spaced 2.718" c to c; four solder lug term; HS; RCA part/dwg A-8833252-506	Selectivity Filter, Type II 1st IF Unit
Z-803 thru Z-900		Not Used	
Z-901	N16-C-91201-1018	CONVERTER, SUB-ASSEMBLY: mts tube and associated components for use in freq converter; c/o one chassis RCA part/dwg T-628798-508; one connector RCA part/dwg C-744593-1, one latch RCA part/dwg A-8831124-501; three capacitors C-912, C-913, C-914, three resistors R-901, R-902, R-903, one tube V-901 JAN 5636; 6.3 v 150 ma heater, 120 v DC power supply; input freq 1600 kc, output freq 200 kc; rectangular; 2 1/2" lg x 1 1/4" wd x 1 1/4" thk o/a approx; mts by plugging into socket, held in place by latch located on top; when used w/ external xtal provides oscillation at 1400 kc required for freq conversion; RCA part/dwg A-8833233-503	Plug-in Sub-Assembly, Type III 1st IF Unit
Z-902		Same as Z-802	Selectivity Filter, Type III 1st IF Unit
Z-903 thru Z-1000		Not Used	
Z-1001	N16-F-32683-1157	FILTER, BAND PASS: 200 kc ctr freq, 198.4 to 201.6 kc bandwidth; 2 1/2" lg x 1 1/4" wd x 2.350" h o/a; rectangular metal case; four #4-40 integral mtg nuts located on term end; two rows spaced 0.610" c to c, in one row spaced 0.718" c to c, two in other row spaced 1.718" c to c; four stud type term; designed for long periods of arctic and tropical service; continuous oper; 100 v DC oper level; 2 v RMS max signal oper level; unbalanced w/ respect to ground; 250 v DC min bipot; moisture resistant; vibration and shock resistant; ambient temp range -54° C to +85° C; 48-hr salt spray; RCA part/dwg A-8832387-501. Not used in AN/SRR-13A	Sharp Selectivity Filter, 2nd IF Unit
Z-1002	N16-F-99999-0056	FILTER, BAND PASS: 200 kc ctr freq, 196 to 204 kc bandwidth; 55,000 input and output impedance; not tapped; four solder lug type term; 3 1/4" lg x 1 1/4" wd x 2 1/4" h o/a; non-magnetic metal case; HS; mts by four #4-40 integral nuts, 0.610" x 2.375" c to c; RCA part/dwg A-8832387-502. Not used in AN/SRR-13A	Medium Selectivity Filter, 2nd IF Unit
Z-1003	Assemble from Component Parts	COIL, RF: for coupling freq converter to 1st IF amplifier; c/o one frame assem RCA part/dwg A-8833240-504, one capacitor RCA part/dwg C-737837-347, one capacitor RCA part/dwg C-737837-341, one term board RCA part/dwg A-8833243-501, one coil assem RCA part/dwg C-746104-4, one resistor RCA part/dwg C-722318-195, one resistor RCA part/dwg C-72318-177, 1 1/4" lg x 1/4" wd x 2 1/4" h o/a; coil inductance 2.40 mh ±8%; tunable; shielded, single wnd; RCA part/dwg A-8848510-504. Not used in AN/SRR-13A	Broad Selectivity Filter, 2nd IF Unit

**AN/SRR-11, AN/SRR-12,
AN/SRR-13, AN/SRR-13A
PARTS LIST**

NAVSHIPS 91875(A)

**Section 8
Z-1004-Z-1015**

Z-1004	N16-A-38801-1127	AMPLIFIER, SUB-ASSEMBLY: used as IF v amplifier; c/o one chassis RCA part/dwg T-628798-508 one connector RCA part/dwg C-744593-1, one latch RCA part/dwg A-8831124-501, two capacitors C-1031, C-1032, one resistor R-1006, one tube V-1001 JAN-5899; 6.3 v 150 ma heater, 120 v DC; rectangular; 2 1/2" lg x 1 1/4" wd x 1 1/4" h o/a; approx; mts by plugging into socket, held in place by latch located on top; cathode connection provided for manual gain control; tube is semi-remote cut-off type to allow for automatic gain control; RCA part/dwg A-8848518-501	Plug-in Sub-Assembly, 1st Amplifier, 2nd IF Unit
Z-1005	Assemble from Component Parts	TRANSFORMER, IF: for coupling 1st IF amplifier to 2nd IF amplifier; 200 kc freq of oper; c/o one frame assem RCA part/dwg A-8832240-501, two capacitors C-1033, C-1034, one term board E-1004, one coil assem L-1011, one resistor R-1008, one coil assem I-1011; 1 1/2" lg x 1 1/2" wd x 2 1/2" h o/a; RCA part/dwg A-8848510-501. Not used in AN/SRR-13A	Couples V-1001 to V-1002
Z-1006	N16-A-38801-1102	AMPLIFIER, SUB-ASSEMBLY: used as IF v amplifier; c/o one chassis RCA part/dwg T-628798-508, one connector RCA part/dwg C-744593-1, one latch RCA part/dwg A-8831124-501, three capacitors C-1035, C-1036, two resistors R-1010, R-1011, one tube V-1002 JAN-5899; 6.3 v 150 ma heater, 120 v DC; rectangular; 2 1/2" lg x 1 1/4" wd x 1 1/4" h o/a; approx; mts by plugging into socket, held in place by latch located on top; cathode connection provided for manual gain control; tube is semi-remote cut-off type to allow for automatic gain control; RCA part/dwg A-8848518-502	Plug-in Sub-Assembly, 2nd Amplifier, 2nd IF Unit
Z-1007	Assemble from Component Parts	TRANSFORMER, IF: for coupling 2nd IF amplifier to 3rd IF amplifier; 200 kc freq of oper; c/o one frame assem RCA part/dwg A-8832240-502, two capacitors RCA part/dwg C-737837-341, one term board RCA part/dwg A-8832243-501, one coil assem RCA part/dwg C-746104-31, one resistor RCA part/dwg C-722318-185; one coil assem RCA part/dwg C-746104-30; 1 1/2" lg x 1 1/2" wd x 2 1/2" h o/a; RCA part/dwg A-8848510-502. Not used in AN/SRR-13A	Couples V-1002 to V-1003
Z-1008	N16-A-38801-1128	AMPLIFIER, SUB-ASSEMBLY: used as IF amplifier; c/o one chassis RCA part/dwg T-628798-508, one connector RCA part/dwg C-744593-1, one latch RCA part/dwg A-8831124-501, three capacitors C-1039, C-1040, C-1041, four resistors R-1014, R-1015, R-1016, R-1017, one tube V-1003 JAN-5899; 6.3 v 150 ma heater, 120 v DC; rectangular; 2 1/2" lg x 1 1/4" h o/a; approx; mts by plugging into socket, held in place by latch located on top; cathode connection provided for manual gain control; two outputs provided at different levels of gain; RCA part/dwg A-8848518-503	Plug-in Sub-Assembly, Final Amplifier, 2nd IF Unit
Z-1009	N16-F-33591-1476	TRANSFORMER, IF: peak freq 200 kc; tuning indicator circuit; shielded; 1 1/2" lg x 2 1/4" h x 5/8" wd; powdered iron core; single tuned; adj iron core; mts by three 0.140" diam holes located on side of can; three solder lug term; HS w/ adj core available; RCA part/dwg A-8848509-501	Tuning Indicator Rectifier Circuitry
Z-1010	N16-A-38801-1104	AMPLIFIER, SUB-ASSEMBLY: used as IF v amplifier and mixer; c/o one chassis RCA part/dwg T-628798-508, one connector RCA part/dwg C-744593-1, one latch RCA part/dwg A-8831124-501, three capacitors C-1048, C-1049, C-1059, four resistors R-1020, R-1021, R-1022, R-1023, one tube V-1004 JAN 5836; 6.3 v 150 ma heater, 120 v DC; rectangular; 2 1/2" lg x 1 1/4" wd x 1 1/4" h o/a; approx; mts by plugging into socket, held in place by latch located on top; provision is made for mixing BFO signal w/ input signal; RCA part/dwg A-8848518-504	Plug-in Sub-Assembly, BFO Mixer
Z-1011	Assemble from Component Parts	TRANSFORMER, IF: for coupling 3rd IF amplifier to detector; 200 kc freq of oper; c/o one frame assem RCA part/dwg A-8832240-503, one capacitor RCA part/dwg C-737837-348, one capacitor RCA part/dwg C-737837-345, one resistor RCA part/dwg C-722318-183, one term board RCA part/dwg A-8832243-501, one coil assem RCA part/dwg C-746104-32, one coil assem RCA part/dwg C-746104-29; 1 1/2" lg x 1 1/2" wd x 2 1/2" h o/a; RCA part/dwg A-8848510-503	Couples V-1003 to V-1005
Z-1012	N16-A-38801-1158	AMPLIFIER, SUB-ASSEMBLY: used in detector circuit; c/o one chassis and plug assem RCA part/dwg D-630862-7, one capacitor C-1052, one tube V-1005 JAN 5647; 6.3 v AC 150 ma heater; rectangular shape; 3" lg x 1 1/4" wd x 1 1/4" h o/a; plug-in mid; RCA part/dwg A-8832360-505. Used on AN/SRR-11 equipments w/ serial numbers 1 thru 1275 and on AN/SRR-13A equipments w/ serial numbers 1 thru 1430	Plug-in Sub-Assembly, Detector
*Z-1012		AMPLIFIER, SUB-ASSEMBLY: used in detector circuit; c/o one chassis and plug assem RCA part/dwg D-630862-7, one capacitor C-1052, one tube V-1005 JAN 5647; 6.3 v AC 150 ma heater; rectangular shape; 3" lg x 1 1/4" wd x 1 1/4" h o/a; plug-in mid; RCA part/dwg A-8832360-506. Used on AN/SRR-11 equipments w/ serial numbers 1276 and above and on AN/SRR-13A equipments bearing serial numbers 1431 and above.	Plug-in Sub-Assembly, Detector
Z-1013	N16-R-33591-1379	AMPLIFIER, SUB-ASSEMBLY: used in Automatic Gain Control delay; c/o one chassis and plug assem RCA part/dwg D-630862-7, one capacitor C-1053, one tube V-1006 JAN 5647; 6.3 v AC 150 ma heater; bias 10 v; rectangular shape; 3" lg x 1 1/4" wd x 1 1/4" h; plug-in mid; RCA part/dwg A-8832360-506	Plug-in Sub-Assembly, Automatic Gain Control Delay Diode
Z-1014	N16-A-38801-1103	AMPLIFIER, SUB-ASSEMBLY: used as cathode follower; c/o one chassis RCA part/dwg T-628798-508, one connector RCA part/dwg C-744593-1, one latch RCA part/dwg A-8831124-502, three capacitors C-1054, C-1055, C-1056, four resistors R-1023, R-1024, R-1025, R-1026, one tube V-1007 JAN-5718; 6.3 v 150 ma heater, 120 v DC; norm load reactance 70 ohms; rectangular; 2 1/2" lg x 1 1/4" wd x 1 1/4" h o/a; approx; mts by plugging into socket, held in place by latch located on top; RCA part/dwg A-8848518-505	Plug-in Sub-Assembly, Cathode Follower Amplifier Frequency Shift, IF Output
Z-1015	N16-F-32631-2017	FILTER, BAND PASS: 200 kc ctr oper freq, 199.5 to 200.5 kc p/m 0.15 kc bandwidth at 6 db attenuation for first band pass; 200 kc ctr oper freq, 198.5 to 201.5 kc p/m 0.3 kc bandwidth at 6 db attenuation for second band pass; 810 ohms input impedance, 30,000 ohms output impedance; 3 1/2" lg x 2 1/2" wd x 1 1/4" d o/a; metal rectangular case; mts by four #6-32 thd x 3/8" lg studs on a 2 1/2" x 1 1/2" x 1 1/4" mtg/c; six stud type term; oper temp range -40° C to +85° C; vacuum sealed; RCA part/dwg A-89003610-1. Used in AN/SRR-13A	

*Alternate item.

CONTRACT NOber-52014

TABLE 8-4. TABLE OF REPLACEABLE PARTS—Continued
RADIO RECEIVING SETS AN/SRR-11, AN/SRR-12, AN/SRR-13, AN/SRR-13A

REF. SYMBOL	STOCK NUMBERS SIGNAL CORPS STANDARD NAVY AIR FORCE	NAME OF PART AND DESCRIPTION	LOCATING FUNCTION
Z-1015A		P/o Z-1015	Sharp Selectivity Filter, 2nd IF Unit
Z-1015B		P/o Z-1015	Medium Selectivity Filter, 2nd IF Unit
Z-1016	N16-F-32633-1903	FILTER, BAND PASS: 200 kc oper freq, 196 to 204 kc bandwidth at 6 db down; 55,000 ohms input and output impedance; $2\frac{1}{2}$ " lg x $1\frac{1}{2}$ " wd x 2.415" h; rectangular metal case; mts by four #4-40 tapped nuts located two on one edge 1.718" c to c and two on other edge 0.610" from centerline of the first two, spaced 0.660" c to c; four feedthru type term; RCA part/dwg A-8832387-503. Used in AN/SRR-13A	Broad Selectivity Filter, 2nd IF Unit
Z-1017	N17-T-67517-4152	TRANSFORMER, IF: 200 kc peak freq; interstage type; unshielded; $1\frac{1}{4}$ " lg x $\frac{3}{4}$ " wd x $2\frac{1}{4}$ " h; ceramic coil form, powdered iron core; double tuned; adj iron core tuning; mts by two #2-56 thd x $\frac{1}{4}$ " lg machine screws and two #2 split lock washers located in diagonally opposite corners of top on a $\frac{1}{4}$ " x $\frac{3}{4}$ " mts/c; 12 stud and four feedthru type term; c/o three capacitors C-1040, C-1057 and C-1059, one term board E-1023, one insulator E-1025, one r-f coil L-1016, one resistor R-1009 and one r-f transformer T-1015; RCA part/dwg A-8848510-505. Used in AN/SRR-13A	Couples V-1001 to V-1002
Z-1018	N17-T-67517-4263	TRANSFORMER, IF: 200 kc peak freq; interstage; unshielded; $1\frac{1}{4}$ " lg x $\frac{3}{4}$ " wd x $2\frac{1}{4}$ " h o/a; ceramic coil form, powdered iron core; double tuned; adjustable iron core tuning; mts by two #2-56 thd x $\frac{1}{4}$ " lg machine screws and two #2 split washers located in diagonally opposite corners of top on a $\frac{1}{4}$ " x $\frac{3}{4}$ " mts/c; 12 stud and four feedthru type term; c/o three capacitors C-1046, C-1067, C-1068, one term board E-1024, one insulator E-1026, one r-f coil L-1017, one resistor R-1013 and one r-f transformer T-1016; RCA part/dwg A-8848510-506. Used in AN/SRR-13A	Couples V-1002 to V-1003
Z-1019 thru Z-1100		Not Used	
Z-1101	N16-A-38801-1108	AMPLIFIER, SUB-ASSEMBLY: used in noise limiter circuit; c/o one chassis RCA part/dwg T-628798-507, one connector RCA part/dwg C-744591-1, one latch RCA part/dwg A-883124-501, two capacitors C-1101, C-1114, five resistors R-1101, R-1102, R-1103, R-1104, R-1105, one tube V-1101 JAN 5647; 6.3 v heater at 150 ma; rectangular shape; $2\frac{1}{2}$ " lg x $1\frac{1}{4}$ " h o/a approx; mts by plugging into socket, held in place by latch located on top; acts as series type limiter for AC v in excess of 30% of applied DC input v; RCA part/dwg A-8832360-501. Used on AN/SRR-11 equipments w/ serial numbers 1 thru 1430 and on AN/SRR-13A equipments w/ serial numbers 1 thru 1430	Plug-in Sub-Assembly, Audio Noise Limiter
*Z-1101		AMPLIFIER, SUB-ASSEMBLY: used in noise limiter circuit; c/o one chassis RCA part/dwg T-628798-507, one connector RCA part/dwg C-744591-1, one latch RCA part/dwg A-883124-501, two capacitors C-1101, C-1114, five resistors R-1101, R-1102, R-1103, R-1104, R-1105, one crystal unit V-1101 IN458; rectangular shape; $2\frac{1}{2}$ " lg x $1\frac{1}{4}$ " wd x $1\frac{1}{4}$ " h o/a approx; mts by plugging into socket, held in place by latch located on top; acts as series type limiter for AC voltage in excess of 30% of applied DC input v; RCA part/dwg A-8832360-501 Rev 13. Used on AN/SRR-11 equipments bearing serial numbers 1276 and above and on AN/SRR-13A equipments bearing serial numbers 1431 and above	Plug-in Sub-Assembly, Audio Noise Limiter
Z-1102	N16-A-38801-1113	AMPLIFIER, SUB-ASSEMBLY: used as v amplifier; c/o one chassis RCA part/dwg T-628798-508, one connector RCA part/dwg C-744593-1, one latch RCA part/dwg A-883124-501, one capacitor C-1102, two resistors R-1106, R-1107, one tube V-1102 JAN 5718; 6.3 v heater at 150 ma; 120 v DC; rectangular shape; $2\frac{1}{2}$ " lg x $1\frac{1}{4}$ " wd x $1\frac{1}{4}$ " h o/a approx; mts by plugging into socket, held in place by latch located on top; RCA part/dwg A-8832360-502	Plug-in Sub-Assembly, 1st Audio Amplifier
Z-1103	N16-A-38801-1111	AMPLIFIER, SUB-ASSEMBLY: used in silencer circuit; c/o one chassis RCA part/dwg T-628798-507, one connector RCA part/dwg C-744591-1, one latch RCA part/dwg A-883124-501, two capacitors C-1103, C-1115, four resistors R-1114, R-1115, R-1116, R-1117, one tube V-1103 JAN 5647; 6.3 v heater at 150 ma; 120 v DC bias v; rectangular shape; $2\frac{1}{2}$ " lg x $1\frac{1}{4}$ " wd x $1\frac{1}{4}$ " h o/a approx; mts by plugging into socket, held in place by latch located on top; acts as electronic sw when used in conjunction w/ Z-1104; RCA part/dwg A-8832360-502. Used on AN/SRR-11 equipments w/ serial numbers 1 thru 1275 and on AN/SRR-13A equipments w/ serial numbers 1 thru 1430	Plug-in Sub-Assembly, Silencer Diode
*Z-1103		AMPLIFIER, SUB-ASSEMBLY: used in silencer circuit; c/o one chassis RCA part/dwg T-628798-507, one connector RCA part/dwg C-744591-1, one latch RCA part/dwg A-883124-501, two capacitors C-1103, C-1115, four resistors R-1114, R-1115, R-1116, R-1117, one tube V-1103 JAN 5647; 6.3 v heater at 150 ma; 120 v DC bias v; rectangular shape; $2\frac{1}{2}$ " lg x $1\frac{1}{4}$ " wd x $1\frac{1}{4}$ " h o/a approx; mts by plugging into socket, held in place by latch located on top; acts as electronic sw when used in conjunction w/ Z-1104; RCA part/dwg A-8832360-502 Rev 13. Used on AN/SRR-11 equipments bearing serial numbers 1276 and above and on AN/SRR-13A equipments bearing serial numbers 1431 and above	Plug-in Sub-Assembly, Silencer Diode

Z-1104	N16-A-38801-1114	AMPLIFIER, SUB-ASSEMBLY: used as DC amplifier in silencer circuit; c/o one chassis RCA part/dwg T-628798-508, one connector RCA part/dwg C-744593-1, one latch RCA part/dwg A-8831124-501, one capacitor C-1104, four resistors R-118, R-119, R-120, R-121, one tube V-1104 JAN 5719, 6.3 v heater at 150 ma, 120 v DC; rectangular shape; 2 1/2" lg x 1 1/4" wd x 1 1/4" h o/a approx; mts by plugging into socket, held in place by latch located on top; RCA part/dwg A-883206-502	Plug-in Sub-Assembly, Silencer Control Amplifier
Z-1105	N16-A-38801-1112	AMPLIFIER, SUB-ASSEMBLY: used as v amplifier; c/o one chassis RCA part/dwg T-628798-508, one connector RCA part/dwg C-744593-1, one latch RCA part/dwg A-8831124-501, two capacitors C-1105, C-1106, three resistors R-122, R-123, R-124, one tube V-1105 JAN 5718, 6.3 v heater at 150 ma, 120 v DC; rectangular shape; 2 1/2" lg x 1 1/4" wd x 1 1/4" h o/a approx; mts by plugging into socket, held in place by latch located on top; RCA part/dwg A-883206-505	Plug-in Sub-Assembly, 2nd Audio Amplifier
Z-1106	N16-A-38801-1107	AMPLIFIER, SUB-ASSEMBLY: used in output limiter circuit; c/o one chassis RCA part/dwg T-628798-507, one connector RCA part/dwg C-744593-1, one latch RCA part/dwg A-8831124-501, one capacitor C-1107, three resistors R-1125, R-1126, R-1127, one crystal unit V-1106 IN458; rectangular shape; 2 1/2" lg x 1 1/4" wd x 1 1/4" h o/a approx; mts by plugging into socket, held in place by latch located on top; acts to limit pos peaks of applied audio v; RCA part/dwg A-883260-503. Used on AN/SRR-11 equipments w/ serial numbers 1 thru 1275 and on AN/SRR-13A equipments w/ serial numbers 1 thru 1430	Plug-in Sub-Assembly, Limiter Diode
*Z-1106		AMPLIFIER, SUB-ASSEMBLY: used in output limiter circuit; c/o one chassis RCA part/dwg T-628798-507, one connector RCA part/dwg C-744593-1, one latch RCA part/dwg A-8831124-501, one capacitor C-1107, three resistors R-1125, R-1126, R-1127, one crystal unit V-1106 IN458; rectangular shape; 2 1/2" lg x 1 1/4" wd x 1 1/4" h o/a approx; mts by plugging into socket, held in place by latch located on top; acts to limit pos peaks of applied audio v; RCA part/dwg A-883260-503. Used on AN/SRR-11 equipments bearing serial numbers 1276 and above and on AN/SRR-13A equipments bearing serial numbers 1431 and above	Plug-in Sub-Assembly, Limiter Diode
Z-1107	N16-A-38801-1106	AMPLIFIER, SUB-ASSEMBLY: used in output limiter circuit; c/o one chassis RCA part/dwg T-628798-507, one connector RCA part/dwg C-744593-1, one latch RCA part/dwg A-8831124-501, one capacitor C-1108, three resistors R-1128, R-1129, R-1130, one tube V-1107 JAN 5647, 6.3 v heater at 150 ma, 120 v DC fixed bias, 0 to 120 v DC adj bias; rectangular shape; 2 1/2" lg x 1 1/4" wd x 1 1/4" h o/a approx; mts by plugging into socket, held in place by latch located on top; acts to limit neg peaks of applied v; RCA part/dwg A-883260-504. Used on AN/SRR-11 equipments w/ serial numbers 1 thru 1275 and on AN/SRR-13A equipments w/ serial numbers 1 thru 1430	Plug-in Sub-Assembly, Limiter Diode
*Z-1107		AMPLIFIER, SUB-ASSEMBLY: used in output limiter circuit; c/o one chassis RCA part/dwg T-628798-507, one connector RCA part/dwg C-744593-1, one latch RCA part/dwg A-8831124-501, one capacitor C-1108, three resistors R-1128, R-1129, R-1130, one crystal unit V-1107 IN458; rectangular shape; 2 1/2" lg x 1 1/4" wd x 1 1/4" h o/a approx; mts by plugging into socket, held in place by latch located on top; acts to limit neg peaks of applied v; RCA part/dwg A-883260-504. Used on AN/SRR-11 equipments bearing serial numbers 1276 and above and on AN/SRR-13A equipments bearing serial numbers 1431 and above	Plug-in Sub-Assembly, Limiter Diode
Z-1108	N16-A-38801-1110	AMPLIFIER, SUB-ASSEMBLY: used as v amplifier; c/o one chassis RCA part/dwg T-628798-508, one connector RCA part/dwg C-744593-1, one latch RCA part/dwg A-8831124-501, one capacitor C-1109, four resistors R-1131, R-1132, R-1133, R-1134, one tube V-1108 JAN 5719, 6.3 v heater at 150 ma, 120 v DC; rectangular shape; 2 1/2" lg x 1 1/4" wd x 1 1/4" h o/a approx; mts by plugging into socket, held in place by latch located on top; has connection for feedback from succeeding amplifier; RCA part/dwg A-883206-504	Plug-in Sub-Assembly, 3rd Audio Amplifier
Z-1109	N16-A-38801-1109	AMPLIFIER, SUB-ASSEMBLY: used as power output amplifier; c/o one chassis RCA part/dwg T-628798-509, one connector RCA part/dwg C-744593-1, one latch RCA part/dwg A-8831124-501, one capacitor C-1111, two resistors R-1135, R-1136, one tube V-1109 JAN 5902, 6.3 v heater at 150 ma, 120 v DC; rectangular shape; 2 1/2" lg x 1 1/4" wd x 1 1/4" h o/a approx; mts by plugging into socket, held in place by latch located on top; has connection to provide feedback for preceding amplifier; RCA part/dwg A-883206-505	Plug-in Sub-Assembly, Final Audio Amplifier
Z-1110	N16-F-32088-9827	FILTER, BAND PASS: 1000 cye peak, 240 to 4300 cye band width; 4 1/4" lg x 2 1/4" wd x 1" thk o/a; 30,000 ohms impedance at band ctr; rectangular metal case; four #6-32 x 1/2" lg; mtg studs on 4 1/4" x 2 1/4" mtg/c; three solder lug term; oper temp range -54° C to +145° C; BSW immersion; marked in accordance w/ Jan-T-27, reference signal 1000 cps; RCA part/dwg K-8890585-2	Controls Response of Audio Unit
Z-1111 thru Z-1200		Not Used	
Z-1201	N16-C-99999-0007	FREQUENCY CALIBRATOR SUB-ASSEMBLY: cathode coupler for 200 kc; c/o one chassis RCA part/dwg T-630662-3, one connector RCA part/dwg C-744593-1, one latch RCA part/dwg A-8831124-501, two capacitors C-1204, C-1207, three resistors R-1201, R-1203, one tube V-1201 JAN 5718, 6.3 v 150 ma heater, 120 v DC; rectangular; 2 1/2" lg x 1.281" wd x 1.109" thk o/a approx; mts by plugging into socket, held in place by latch located on top; when used with appropriate external elements constitutes 10 kc oscillation; provision is made for synchronizing w/ 50 kc osc; RCA part/dwg A-8820919-503	Plug-in Sub-Assembly, Type III Calibrator Oscillator

*Alternate item.

CONTRACT NObar-52014

TABLE 8-4. TABLE OF REPLACEABLE PARTS—Continued
RADIO RECEIVING SETS AN/SRR-11, AN/SRR-12, AN/SRR-13, AN/SRR-13A

REF. SYMBOL	STOCK NUMBERS SIGNAL CORPS STANDARD NAVY AIR FORCE	NAME OF PART AND DESCRIPTION	LOCATING FUNCTION
Z-1202	N16-C-14435-1030	FREQUENCY CALIBRATOR SUB-ASSEMBLY: cathode coupler for 200 kc; c/o one chassis RCA part/dwg T-630862-3, one connector RCA part/dwg C-744593-1, one latch RCA part/dwg A-883124-501, two capacitors C-1205, C-1206, two resistors R-1204, R-1205, one tube V-1202 JAN 5718; 6.3 v 150 ma heater, 120 v DC; rectangular; 2 1/2" lg x 1.281" wd x 1.109" thk o/a approx; mts by plugging into socket, held in place by latch located on top; when used with appropriate external elements constitutes 10 kc oscillation; provision is made for synchronizing w/ 50 kc osc; RCA part/dwg A-8820919-504	Plug-in Sub-Assembly, Type III Calibrator Amplifier
Z-1203 thru Z-1300		Not Used	
Z-1301	N16-C-74615-6431	COIL, RF: BFO unit; one wnd; round copper shield can, cad pl; 2 1/2" lg x 1 1/4" diam excluding term; ceramic coil form; powdered iron core; 0.312" OD x 1 1/4" lg; adj iron core; scdr adj; two mtg holes 0.203" diam on 1.375" mtg/c; four solder lug term located on bottom; marked w/ RCA part/dwg #, Std Navy Stock No., and nom freq; HS; to withstand 48-hr salt spray test; BuShips spec 16T36; RCA part/dwg C-746103-1	Resonant Circuit for BFO Unit
Z-1302	N16-O-66001-1015	OSCILLATOR SUB-ASSEMBLY: provides mtg for tube, and associated components of oscillator; c/o one chassis RCA part/dwg T-628798-508, one connector RCA part/dwg C-744593-1, one latch RCA part/dwg A-883124-501, four capacitors C-1303, C-1304, C-1305, C-1306, five resistors R-1301, R-1302, R-1303, R-1304, R-1305, one tube V-1301 JAN 5840; 6.3 v 150 ma heater, 120 v DC; rectangular; 2 1/2" lg x 1 1/4" wd x 1 1/4" thk o/a approx; mts by plugging into socket, held in place by latch located on top; RCA part/dwg A-8833227-502	Plug-in Sub-Assembly for BFO Unit
Z-1303 thru Z-1400		Not Used	
Z-1401	N16-C-14435-1001	FREQUENCY CALIBRATOR SUB-ASSEMBLY: provides mtg for tube, and associated components of freq calibrator; c/o one chassis RCA part/dwg T-628798-508, one connector RCA part/dwg C-744593-1, one latch RCA part/dwg A-883124-502, three capacitors C-1402, C-1403, C-1404, four resistors R-1401, R-1402, R-1403, R-1404, one tube V-1401 JAN 5718; 6.3 v 150 ma heater, 120 v DC; rectangular; 2 1/2" lg x 1 1/4" wd x 1 1/4" thk o/a approx; mts by plugging into socket, held in place by latch located on top; when used w/ external xtal constitutes 50 kc osc circuit; RCA part/dwg A-8820919-501	Plug-in Sub-Assembly, Type I Calibrator Oscillator
Z-1402	N16-C-14435-1002	FREQUENCY CALIBRATOR SUB-ASSEMBLY: provides mtg for tube, and associated components of freq calibrator; c/o one chassis RCA part/dwg T-628798-508, one connector RCA part/dwg C-744593-1, one latch RCA part/dwg A-883124-502, four capacitors C-1406, C-1408, C-1409, C-1410, six resistors R-1405, R-1406, R-1407, R-1409, R-1410, R-1412, one tube V-1402 JAN 5636; 6.3 v 150 ma heater, 120 v DC; rectangular; 2 1/2" lg x 1 1/4" wd x 1 1/4" thk o/a approx; mts by plugging into socket, held in place by latch located on top; when used w/ approx. external elements constitutes 10 kc oscillator; provision is made for synchronizing w/ 50 kc osc; RCA part/dwg A-8820919-502	Plug-in Sub-Assembly, Type I Calibrator Multivibrator
Z-1403 thru Z-1500		Not Used	
Z-1501	N16-F-92261-1001	FREQUENCY CALIBRATOR SUB-ASSEMBLY: provides mtg for tube, and associated components of freq calibrator; c/o one chassis RCA part/dwg T-628798-508, one connector RCA part/dwg C-744593-1, one latch RCA part/dwg A-883124-502, one capacitor C-1502, three resistors R-1501, R-1502, R-1503, one tube V-1501 JAN 5718; 6.3 v 150 ma heater, 120 v DC; rectangular; 2 1/2" lg x 1 1/4" wd x 1 1/4" thk o/a approx; mts by plugging into socket held in place by latch located on top; RCA part/dwg A-8833233-504	Plug-in Sub-Assembly, Type II Calibrator Oscillator
Z-1502	N16-F-92261-1002	FREQUENCY CALIBRATOR SUB-ASSEMBLY: provides mtg for tube, and associated components of freq calibrator; c/o one chassis RCA part/dwg T-628798-508, one connector RCA part/dwg C-744593-1, one latch RCA part/dwg A-883124-502, three capacitors C-1503, C-1504, C-1505, two resistors R-1504, R-1505, one tube V-1502 JAN 5718; 6.3 v 150 ma heater, 120 v DC; rectangular; 2 1/2" lg x 1 1/4" wd x 1 1/4" thk o/a approx; mts by plugging into socket, held in place by latch located on top; RCA part/dwg A-8833233-505	Plug-in Sub-Assembly, Type II Calibrator Amplifier
Z-1503 thru Z-1700		Not Used	

Z-1701	N16-F-32633-2649	FILTER, LOW PASS: pass band between 175 and 225 kc; $3\frac{1}{4}$ " max lg x $3\frac{1}{2}$ " max wd x $1\frac{1}{2}$ " max thk o/a; 200 ohms input and 70 ohms output impedance; rectangular metal case; four 0.173" diam mtg holes on $3\frac{1}{4}$ " x $1\frac{1}{2}$ " mtg/c; four solder lug term, two on ea end; marked w/ RCA part/dwg #, grade, class, schematic and pertinent electrical information; unbalanced w/ respect to gnd; capable of withstanding long periods of arctic and tropical service; RCA part/dwg A-8832380-1	Filters Output Circuit from 2nd IF
Z-1702	N16-F-99999-0091	FILTER, LOW PASS: pass band from 0 to 400 cyc rejection band 14 kc to 400 mc; $5\frac{1}{2}$ " lg x $2\frac{1}{4}$ " wd x $1\frac{1}{2}$ " thk o/a, power line filter; rectangular metal case; four 0.173" diam mtg holes on $4\frac{1}{2}$ " x $2\frac{1}{2}$ " mtg/c; six solder lug term two on ea side and one on ea end; marked w/ RCA part/dwg #, grade, class, schematic and pertinent electrical information, the filter shall be balanced with respect to gnd, the cap to gnd shall be as small as practicable; capable of withstanding long periods of arctic and tropical service; RCA part/dwg A-8832381-1	Filters Power Line Circuit
Z-1703	N16-F-44106-2081	FILTER, LOW PASS: 8000 cyc cut-off; $5\frac{1}{4}$ " lg x $2\frac{1}{2}$ " wd x $1\frac{1}{2}$ " h; 50 ohms input and output impedance; rectangular metal case; four 0.173" diam mtg holes on $4\frac{1}{2}$ " x $1\frac{1}{2}$ " mtg/c; six solder lug term, three on ea end, ctr term are gnd; oper temp range -54° C to +85° C; marked w/ RCA part/dwg #, grade, class, schematic, and pertinent electrical information; RCA part/dwg A-8832378-1	Filters Audio Output Circuit
Z-1704 thru Z-1800		Not Used	
Z-1801		Same as Z-1701	Filters Output Circuit from 2nd IF
Z-1802		Same as Z-1702	Filters Power Line Circuit
Z-1803		Same as Z-1703	Filters Audio Output Circuits
Z-1804	N16-F-32662-8001	FILTER, BAND PASS: pass band 100 kc to 1700 kc; $5\frac{1}{4}$ " lg x 3 " wd x $3\frac{1}{4}$ " h o/a approx; 200 ohms input 70 ohms output impedance; rectangular metal case; four 0.173" diam mtg holes on 5 " x $2\frac{1}{4}$ " mtg/c; four solder lug term; HB; RCA part/dwg A-8832379-1	Filters Output Circuit from 1st IF

**TABLE 8-5. MAINTENANCE PARTS KIT
RADIO RECEIVING SETS AN/SRR-11, AN/SRR-12, AN/SRR-13, AN/SRR-13A**

KEY SYMBOL	BOX NO.	QUANTITY	
		AN/SRR-11	AN/SRR-13 or AN/SRR-13A
C-126		1	0
C-128		1	1
J-101		1	1
J-264		1	1
J-304		1	1
J-702		1	1
J-1709		1	1
K-1701		2	2
L-501		0	1
L-502		0	1
L-503		0	1
L-504		0	1
L-505		0	1
O-270		1	1

KEY SYMBOL	BOX NO.	QUANTITY	
		AN/SRR-11	AN/SRR-13 or AN/SRR-13A
R-1001		1	1
R-1605		1	1
T-101		1	0
T-102		1	0
T-103		1	0
T-104		1	0
T-105		1	0
T-501		0	1
T-502		0	1
T-503		0	1
T-504		0	1
T-505		0	1
T-1801		0	1

TABLE 8-6. CROSS REFERENCE PARTS LIST
RADIO RECEIVING SETS AN/SRR-11, AN/SRR-12, AN/SRR-13, AN/SRR-13A

JAN (OR AWS) DESIGNATION	KEY SYMBOL	JAN (OR AWS) DESIGNATION	KEY SYMBOL	NAVY TYPE	KEY SYMBOL	STANDARD NAVY STOCK NUMBER	KEY SYMBOL
6X4WA	V-1601	RC20BF222K	R-1301	C-49193	E-1702	N16-A-700001-584	O-402
5636	V-151	RC20BF223K	R-453	491675	X-1603	N16-C-14435-1001	Z-1401
5644	V-1603	RC20BF223K	R-1304	491932	X-701	N16-C-14435-1002	Z-1402
5647	V-1005	RC20BF224J	R-351	49208	E-1805	N16-C-15432-5828	C-536
5718	V-352	RC20BF225J	R-1201		KEY SYMBOL	N16-C-15432-5828	C-506
5719	V-1104	RC20BF225K	R-106		ARMY-NAVY TYPE	N16-C-15528-5428	C-461
5840	V-201	RC20BF271J	R-108		MX-195/U	*N16-C-15528-5428	C-533
5899	V-101	RC20BF271K	R-153		AN-3102A-108LAP	N16-C-15624-4628	C-1404
5902	V-1109	RC20BF272J	R-1119		AN-3102A-16S-5P	*N16-C-15624-4628	C-543
CC20CH050C	C-533	RC20BF273K	R-1111		UG-280/U	N16-C-15752-4501	C-608
CC20CH050D	C-1404	RC20BF273K	R-154		UG-58/U	N16-C-15912-4628	C-507
CC20CH100C	C-507	RC20BF274K	R-1121		KEY SYMBOL	N16-C-15912-4628	C-143
CC20CH150G	C-515	RC20BF274K	R-1104		STANDARD NAVY STOCK NUMBER	N16-C-15912-4628	C-203
CC20CH180G	C-152	RC20BF331J	R-403		F16-Q-117572-100	N16-C-15967-8867	C-207
CC20CH220G	C-520	RC20BF331K	R-304		F16-Q-117573-100	N16-C-15978-6001	C-515
CC20CJ030C	C-461	RC20BF333J	R-1003		F16-Q-117573-100	N16-C-15978-6001	C-413
CC20CJ030C	C-506	RC20BF333K	R-201		F16-Q-117574-100	N16-C-15978-6001	C-631
CC20CK020C	C-536	RC20BF334J	R-1117		F16-Q-117574-200	N16-C-15982-2889	C-512
CC20UJ050D	C-543	RC20BF392J	R-254		F16-Q-117574-200	N16-C-16043-9128	C-409
CC21CH120J	C-143	RC20BF392K	R-1126		F16-Q-117574-200	N16-C-16044-5760	C-218
CC21UJ270J	C-132	RC20BF393K	R-1029		F16-Q-117574-200	N16-C-16139-5946	C-520
CE51C121P	C-1601	RC20BF395J	R-1029		F16-Q-117574-200	N16-C-16139-5946	C-155
CM15E271G	C-452	RC20BF471J	R-155		F16-Q-117610-100	N16-C-16172-1118	C-210
CP29A1EF103M	C-1603	RC20BF471K	R-103		GF5120-198-5398	N16-C-16172-1118	C-406
RC20BF101K	R-151	RC20BF472K	R-1019		GF5120-224-2504	*N16-C-16237-2583	C-132
RC20BF102K	R-1014	RC20BF473K	R-353		GF6240-112-5588	N16-C-16245-8001	C-126
RC20BF103K	R-1504	RC20BF474J	R-129		GF6240-223-9100	N16-C-16245-8001	C-416
RC20BF103K	R-802	RC20BF474K	R-1028		GM3110-100-6209	N16-C-16299-7701	C-202
RC20BF104J	R-1115	RC20BF475J	R-204		GM3110-100-6210	N16-C-16363-7679	C-1043
RC20BF104K	R-107	RC20BF475J	R-1137		GM5120-198-5401	N16-C-17822-5695	C-1601
RC20BF105J	R-1401	RC20BF560J	R-253		N16-A-38801-1102	N16-C-17822-5695	C-311
RC20BF105K	R-703	RC20BF562J	R-1004		N16-A-38801-1102	N16-C-20287-5896	C-342
RC20BF121J	R-404	RC20BF621J	R-1403		N16-A-38801-1104	N16-C-20287-5896	C-365
RC20BF121K	R-105	RC20BF681J	R-354		N16-A-38801-1106	N16-C-26437-6678	C-570
RC20BF122K	R-255	RC20BF683K	R-1023		N16-A-38801-1107	*N16-C-26447-1772	C-621
RC20BF122K	R-102	RC20BF683K	R-130		N16-A-38801-1108	N16-C-26601-1443	C-314
RC20BF123J	R-260	RC20BF820K	R-503		N16-A-38801-1108	N16-C-26732-9439	C-563
RC20BF124K	R-1103	RC20BF821J	R-1106		N16-A-38801-1109	N16-C-26888-5145	C-423
RC20BF125K	R-1005	RC20BF822J	R-1205		N16-A-38801-1110	*N16-C-26888-5145	C-509
RC20BF126K	R-1120	RC20BF823J	R-1102		N16-A-38801-1111	N16-C-27075-8741	C-511
RC20BF152J	R-604	RC20BF825J	R-326		N16-A-38801-1112	N16-C-27177-2063	C-813
RC20BF153J	R-1008	RC42BF393K	R-1602		N16-A-38801-1113	N16-C-27181-4341	C-364
RC20BF154J	R-1116	RC20GF123K	R-702		N16-A-38801-1114	N16-C-27360-8529	C-367
RC20BF155J	R-1108	RC20GF222K	R-602		N16-A-38801-1127	N16-C-27360-8529	C-535
RC20BF164J	R-1410	RC20GF222K	R-101		N16-A-38801-1128	N16-C-27360-8529	C-717
RC20BF181J	R-302	RC20GF393K	R-405		N16-A-38801-1153	N16-C-27999-1634	C-211
RC20BF181K	R-803	RC20GF472J	R-407		N16-A-38801-1155	N16-C-28210-1404	C-361
RC20BF184J	R-1405	RC20GF472K	R-109		N16-A-38801-1155	N16-C-28547-6325	C-1504
RC20BF203J	R-1009	RC20GF472K	R-705		N16-A-38801-1158	N16-C-28547-6325	C-219
RC20BF221K	R-104	RW21J401	R-1604		N16-A-38801-1159	N16-C-28716-1433	C-522
RC20BF222J	R-401	RW21J402	R-1603		N16-A-38801-1163	N16-C-28731-7628	

*For Replacement Use.

8 Section
Cross Reference Parts List

NAVSHIPS 91875(A)

**AN/SRR-11, AN/SRR-12,
AN/SRR-13, AN/SRR-13A
PARTS LIST**

TABLE 8-6. CROSS REFERENCE PARTS LIST—Continued

STANDARD NAVY STOCK NUMBER	KEY SYMBOL	STANDARD NAVY STOCK NUMBER	KEY SYMBOL	STANDARD NAVY STOCK NUMBER	KEY SYMBOL	STANDARD NAVY STOCK NUMBER	KEY SYMBOL
*N16-C-2837-7001	C-1001	*N16-C-45770-1812	C-254	N16-C-96131-6651	Y-1501	N16-R-33591-1379	Z-1013
N16-C-28916-5043	C-514	*N16-C-45770-1812	C-1053	N16-C-96132-4201	Y-1401	N16-R-33591-1387	Z-601
N16-C-28969-1660	C-568	*N16-C-45770-1812	C-1055	N16-C-96205-1201	Y-1401	O-3828	O-3828
N16-C-28973-1526	C-1204	*N16-C-45770-1812	C-1206	N16-C-96249-9999	Y-1201	*N16-R-33591-1475	O-3728
N16-C-29084-4698	C-214	*N16-C-45773-7301	C-711	N16-C-96266-7063	Y-801	*N16-R-49255-438	R-1507
N16-C-29133-3841	C-812	*N16-C-45773-8071	C-457	N16-C-99999-0007	Z-1201	*N16-R-49282-438	R-604
N16-C-29259-8168	C-215	*N16-C-45773-8071	C-1063	N16-C-99999-0029	C-606	*N16-R-49426-716	R-3602
N16-C-29370-7451	C-322	*N16-C-46200-7572	C-1101	N16-C-99999-0030	C-609	*N16-R-49462-438	R-253
N16-C-29370-7461	C-106	*N16-C-46200-7572	C-1202	N16-C-99999-0033	C-1207	*N16-R-49579-131	R-404
N16-C-29449-8642	C-723	*N16-C-49983-2357	C-252	N16-C-99999-0037	C-531	*N16-R-49598-811	R-105
N16-C-29602-9679	C-452	N16-C-58716-4907	C-128	*N16-C-99999-0038	C-1205	N16-R-49642-436	R-302
N16-C-29608-2009	C-814	N16-C-59365-1938	C-456	N16-C-99999-0043	C-318	N16-R-49660-438	R-803
N16-C-29651-6885	C-519	N16-C-60027-1001	C-103	N16-C-99999-0044	C-534	*N16-R-49687-321	R-108
N16-C-29707-7628	C-102	N16-C-60400-1181	C-1029	N16-C-99999-0045	C-652	*N16-R-49705-321	R-304
N16-C-29713-6603	C-510	N16-C-64040-2000	C-1201	N16-C-99999-0046	L-251	*N16-R-49768-438	R-403
N16-C-29862-8448	C-714	N16-C-64175-6209	L-504	N16-C-99999-0047	L-606	*N16-R-49768-438	R-155
N16-C-29898-3409	C-401	N16-C-71477-1022	L-505	N16-C-99999-0048	T-126	*N16-R-49822-438	R-264
N16-C-29903-1189	C-565	N16-C-71737-7657	L-503	N16-C-99999-0055	T-1014	*N16-R-49840-435	R-136
N16-C-29941-4696	C-358	N16-C-71967-5865	L-503	N16-C-99999-0063	C-615	*N16-R-49876-438	R-106
N16-C-30109-3330	C-1052	N16-C-74123-3251	L-205	N16-C-99999-1130	C-201	*N16-R-49884-435	R-1136
N16-C-30188-1890	C-1406	N16-C-74615-6431	Z-1301	N16-C-99999-1132	C-205	*N16-R-49922-811	R-102
N16-C-30188-3727	C-1050	N16-C-76200-3501	L-605	N16-C-99999-1133	C-209	*N16-R-49939-271	R-255
N16-C-30367-9395	C-1403	N16-C-76520-6323	T-505	N16-C-99999-1134	C-217	*N16-R-50011-438	R-101
N16-C-30573-2645	C-355	N16-C-76520-7493	L-604	N16-F-32088-9827	Z-1110	*N16-R-50012-811	R-401
N16-C-30188-1890	C-408	N16-C-76520-8201	T-504	N16-F-32602-4376	Z-702	*N16-R-50038-438	R-1119
N16-C-31343-9216	C-1042	N16-C-76529-8501	L-603	N16-F-32633-1157	Z-1015	*N16-R-50092-438	R-254
N16-C-31833-7866	C-1103	N16-C-76532-7481	T-503	N16-F-32681-1001	Z-1701	*N16-R-50128-438	R-109
N16-C-39693-5927	C-321	N16-C-76535-4241	L-601	N16-F-32681-1001	Z-802	*N16-R-50128-438	R-407
N16-C-40024-4700	C-1108	N16-C-76570-2942	L-404	N16-F-32681-1001	Z-1009	*N16-R-50164-435	R-1004
*N16-C-40120-4737	C-127	N16-C-76581-9641	L-304	N16-F-44106-2081	Z-1703	*N16-R-50236-438	R-705
N16-C-40358-1930	C-224	N16-C-76588-5403	L-502	N16-F-92261-1001	Z-1501	*N16-R-50281-438	R-1205
*N16-C-41052-5966	C-130	N16-C-76594-4421	L-402	N16-F-92261-1002	Z-1502	*N16-R-50281-438	R-702
N16-C-41064-1134	C-1047	N16-C-76613-7351	L-601	N16-F-99999-0091	Z-1702	*N16-R-50281-438	R-802
*N16-C-42733-5753	C-107	N16-C-76635-3261	L-305	N16-H-150001-337	O-257	*N16-R-50308-438	R-1504
*N16-C-42733-5753	C-139	N16-C-76660-1901	L-501	N16-L-288001-110	O-261	*N16-R-50308-438	R-260
*N16-C-42733-5753	C-321	N16-C-76678-2203	L-404	N16-L-99999-0046	O-3621	*N16-R-50335-438	R-602
*N16-C-42733-5753	C-323	N16-C-76702-8966	L-303	N16-M-250606-646	O-106	*N16-R-50335-438	R-1008
*N16-C-42733-5753	C-1080	N16-C-76729-7769	L-402	N16-O-66001-1015	O-269	*N16-R-50362-433	R-1009
*N16-C-42733-5753	C-1032	N16-C-76735-4241	L-302	N16-R-28800-2904	Z-1302	*N16-R-50371-433	R-453
*N16-C-42733-5753	C-1305	N16-C-76736-2445	L-401	N16-R-29792-1061	L-1601	*N16-R-50398-131	R-1304
*N16-C-42733-5758	C-324	N16-C-76743-1909	L-1013	N16-R-33591-1356	O-255	*N16-R-50416-435	R-154
*N16-C-42736-4235	C-1603	N16-C-76746-2212	L-1010	N16-R-33591-1357	Z-126	*N16-R-50443-438	R-201
*N16-C-42907-4012	C-133	N16-C-76748-1800	L-1011	N16-R-33591-1358	Z-101	*N16-R-50443-438	R-405
*N16-C-43633-3542	C-1031	N16-C-76756-2445	L-204	N16-R-33591-1359	Z-201	*N16-R-50443-438	R-1027
*N16-C-44111-1231	C-1102	N16-C-76763-6086	L-202	N16-R-33591-1378	O-3628		
*N16-C-44111-1231	C-104	N16-C-76768-8966	L-401				
*N16-C-44111-1231	C-136	N16-C-76772-7769	L-1013				
*N16-C-44111-1231	C-575	N16-C-76748-2212	L-1010				
*N16-C-44111-1231	C-1107	N16-C-76748-1800	L-1011				
*N16-C-45768-8089	C-101	N16-C-76780-2846	L-201				
*N16-C-45768-8089	C-718	N16-C-91201-1017	Z-801				
*N16-C-45768-8089	C-719	N16-C-91201-1018	Z-901				
N16-C-45770-1522	C-1112	N16-C-91201-1019	Z-701				
*N16-C-45770-1812	C-162	N16-C-91201-1027	Z-551				

**AN/SRR-11, AN/SRR-12,
AN/SRR-13, AN/SRR-13A
PARTS LIST**

NAVSHIPS 91875(A)

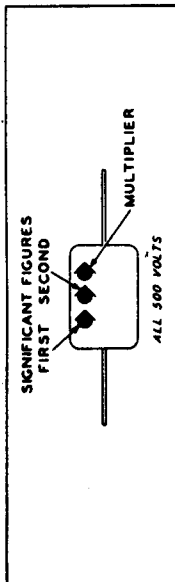
**Section 8
Cross Reference Parts List**

*N16-R-50479-435	R-129	N16-S-54287-5051	X-701	N17-C-73531-3457	J-702	N17-T-67517-4424	T-703
*N16-R-50479-435	R-353	N16-S-62603-6446	X-1603	N17-C-73572-8047	J-101	N17-T-67517-4469	T-1013
*N16-R-50515-433	R-1403	*N16-S-63515-4162	X-1601	N17-C-73591-1360	J-264	N17-T-73701-5366	T-1601
*N16-R-50551-401	R-130	N16-T-51769	CR-1001	N17-C-73605-6389	J-1002	N17-T-81385-1533	T-102
*N16-R-50551-401	R-1023	*N16-T-56940-60	V-1601	N17-C-73606-7745	J-1601	N17-T-81385-1535	T-127
*N16-R-50587-435	R-131	N16-T-56940-393	H-265	N17-C-945001-202	E-1701	N17-T-81385-1537	T-152
*N16-R-50587-435	R-1102	N16-T-751254-406	H-266	N17-C-945001-292	E-1805	N17-T-81385-1537	T-128
*N16-R-50632-416	R-107	N16-T-75636	V-151	N17-C-98372-4537	O-3620	N17-T-81403-1420	T-103
*N16-R-50632-416	R-1115	N16-T-75644	V-1603	*N17-C-98372-4537	O-3720	N17-T-81403-1501	T-153
*N16-R-50650-390	R-301	N16-T-75647	V-1005	N17-C-99999-0070	T-101	N17-T-81406-1515	T-104
*N16-R-50650-390	R-1120	N16-T-75718	V-352	N17-F-14310-380	F-1601	N17-T-81406-1517	T-129
*N16-R-50659-433	R-1116	N16-T-75719	V-1104	N17-F-74267-5075	X-1606	N17-T-81406-1527	T-154
*N16-R-50677-380	R-1405	N16-T-75840	V-201	*N17-J-39248-4418	J-265	N17-T-81406-1527	T-105
*N16-R-50695-436	R-1104	N16-T-75899	V-101	N17-L-240023-551	O-3622	N17-T-81412-1526	T-130
*N16-R-50740-380	R-1121	N16-T-75902	V-1109	N17-L-51629-1001	X-3601	N17-T-81412-1536	T-326
*N16-R-50740-380	R-351	N16-T-76006	**V-1005	N17-L-51629-1003	X-3602	N17-T-81484-9469	T-328
*N16-R-50740-380	R-1104	N17-A-25801-1048	O-3619	N17-L-51629-1003	X-251	N17-T-81487-4069	T-327
*N16-R-50740-380	R-1117	N17-A-99999-0044	O-3608	N17-L-51629-1001	M-251	N17-T-81487-4069	T-151
*N16-R-50759-377	R-1028	N17-B-77690-4910	E-153	N17-M-18982-9120	M-252	N17-T-81487-4069	T-451
*N16-R-50821-276	R-204	N17-B-77691-3814	E-130	N17-M-22713-3543	H-3601	N17-T-81923-5087	T-301
*N16-R-50822-311	R-703	N17-B077741-3834	E-404	N17-R-651091-125	K-1701	N17-T-82238-6207	T-351
*N16-R-50874-438	R-1401	N17-B-77741-3839	E-604	**N17-R-99999-0038	E-1702	N17-T-82238-6207	T-302
*N16-R-50992-275	R-1005	N17-B-77936-2407	E-103	N17-S-250051-154	E-254	N17-T-82246-1528	T-352
*N16-R-51019-440	R-1108	N17-B077936-2414	E-328	N17-S-59672-7885	S-254	N17-T-82246-1707	T-303
*N16-R-51064-435	R-106	N17-B-77936-2417	E-310	N17-S-60080-3251	S-255	N17-T-82261-2150	T-353
*N16-R-51136-438	R-1201	N17-B077936-2420	E-305	N17-S-61615-1001	S-701	N17-T-82261-2301	T-304
*N16-R-51172-438	R-1029	N17-B077936-2423	E-510	N17-S-62311-2701	S-301	N17-T-82261-5601	T-329
*N16-R-51280-438	R-1137	N17-B077936-2435	E-528	N17-S-62405-6857	S-551	N17-T-82261-5601	T-354
*N16-R-65846-3940	R-326	N17-B077936-2435	E-555	*N17-S-63719-3559	S-656	N17-T-82261-5651	T-305
*N16-R-66214-8991	R-1604	N17-B-99999-0007	E-355	N17-S-65233-6567	S-126	N17-T-82262-2651	T-355
*N16-R-85002-6871	R-1603	N17-C-72595-1800	J-1701	N17-S-65233-6617	S-101	N17-T-82262-2751	T-530
*N16-R-87012-5430	R-1605	N17-C-72604-4794	J-1704	N17-S-69074-4589	S-102	N17-T-82266-8623	T-554
*N16-R-87189-4340	R-3601	*N17-C-73108-2878	J-1705	N17-S-69085-2701	S-3601	N17-T-82267-5237	T-529
*N16-R-87852-5365	R-452	*N17-C-73108-5906	J-1707	N17-S-70777-9626	S-253	N17-T-82267-5401	T-555
*N16-R-88919-1361	R-258	N17-C-73126-3839	J-127	N17-S-72018-7719	S-452	N17-T-82268-8723	T-528
*N16-R-89219-1001	R-456	N17-C-73162-3774	J-256	N17-S-73082-9028	S-251	N17-T-82269-9041	T-553
*N16-R-99999-0037	R-251	N17-C-73185-2849	J-102	N17-S-73082-9028	S-252	N17-T-82282-2681	T-527
N16-S-117101-793	R-257	N17-C-73224-1698	X-1005	N17-S-91897-8969	S-1001	N17-T-82282-2701	T-552
N16-S-117101-794	R-1001	N17-C-73242-6015	J-257	*N17-S-91897-8969	S-1301	N17-T-82300-1929	T-551
N16-S-117101-795	O-3618	N17-C-73255-1514	X-702	N17-T-26623-4296	E-1015	N17-T-99999-0199	K-1701
N16-S-34599-7750	O-3718	N17-C-73257-3744	J-103	N17-T-26653-4296	E-1302		
N16-S-470001-128	O-3818	N17-C-73288-1712	J-252	N17-T-28244-2475	E-689		
	A-1602	N17-C-73304-1318	J-1709	N17-T-28244-2475	T-1101		
	H-270	N17-C-73317-2189	J-259	N17-T-67517-4152	Z-1017		
	H-271	N17-C-73317-6429	J-283	N17-T-67517-4283	Z-1018		
		N17-C-73459-9862	J-304	N17-T-67517-4374	T-1011		

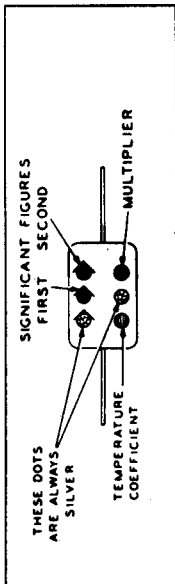
TABLE 8-7. APPLICABLE COLOR CODES AND MISCELLANEOUS DATA

CAPACITOR COLOR CODES

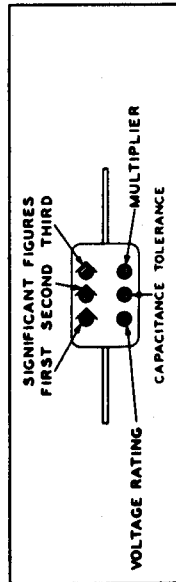
RMA 3-DOT COLOR CODE FOR MICA-DIELECTRIC CAPACITORS



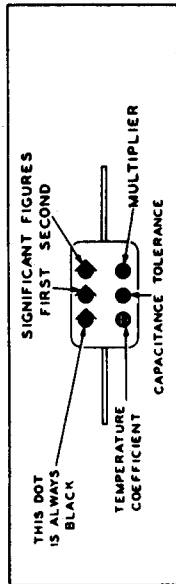
JAN 6-DOT COLOR CODE FOR PAPER-DIELECTRIC CAPACITORS



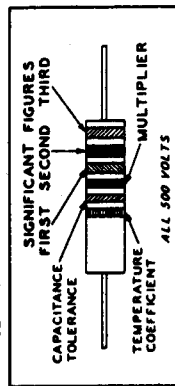
RMA 6-DOT COLOR CODE FOR MICA-DIELECTRIC CAPACITORS



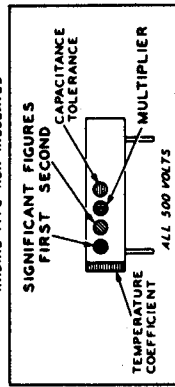
JAN 6-DOT COLOR CODE FOR MICA-DIELECTRIC CAPACITORS



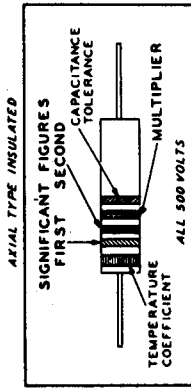
RMA COLOR CODE FOR TUBULAR CERAMIC-DIELECTRIC CAPACITORS



RADIAL TYPE NON-INSULATED

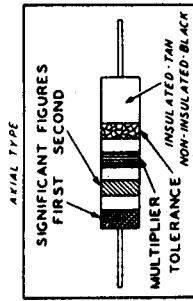


JAN COLOR CODE FOR FIXED CERAMIC-DIELECTRIC CAPACITORS

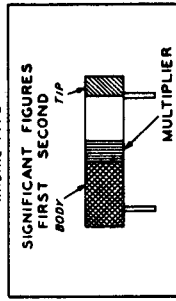


RESISTOR COLOR CODES

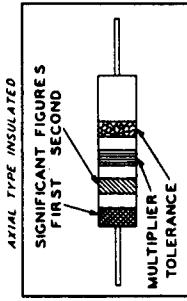
RMA COLOR CODE FOR FIXED COMPOSITION RESISTORS



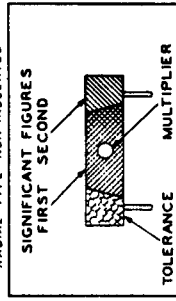
RADIAL TYPE



JAN COLOR CODE FOR FIXED COMPOSITION RESISTORS



RADIAL TYPE NON-INSULATED



CAPACITORS

RESISTORS	TOLERANCE	MULTIPLIER	SIGNIFICANT FIGURE	COLOR	MULTIPLIER			TEMPERATURE COEFFICIENT	VOLTAGE RATING
					RMA MICA AND CERAMIC-DIELECTRIC	JAN MICA AND PAPER-DIELECTRIC	JAN CERAMIC DIELECTRIC		
	1	0		BLACK	1	1			A
	10	1		BROWN	10	10			B
	100	2		RED	100	100			C
	1000	3		ORANGE	1000	1000			D
	10000	4		YELLOW	10000	10000			E
	100000	5		GREEN	100000				F
	1000000	6		BLUE	1000000				G
	10000000	7		VIOLET	10000000				
	100000000	8		GRAY	100000000		0.01		
	1000000000	9		WHITE	1000000000		0.1		
	5	0.1		GOLD	0.1	0.1		1000	
	10	0.01		SILVER	0.01	0.01		2000	
	20			NO COLOR				500	

RMA: RADIO MANUFACTURERS ASSOCIATION
JAN: JOINT ARMY-NAVY

TABLE 8-8. LIST OF MANUFACTURERS

NAME	ADDRESS
Allen Bradley Co.	118 W. Greenfield Avenue Milwaukee 4, Wis.
Allen Mfg. Co.	100 Sheldon Street Hartford 2, Conn.
American Phenolic Corp.	1830 S. 54th Avenue Chicago 50, Ill.
Amperite Co., Inc.	563 Broadway New York 12, N. Y.
Bussman Mfg. Co.	2538 W. University Street St. Louis 7, Mo.
Cambridge Thermionic Corp.	445 Concord Avenue Cambridge, Mass.
Chicago Telephone Supply Corp.	Elkhart, Ind.
Cinch Mfg. Co.	3701 N. Broad Street Phila., Pa.
Communications Products Co.	346 Bergen Avenue Jersey City, N. J.
E. I. Dupont	Wilmington 98, Del.
Eastman Kodak Co.	Rochester 4, N. Y.
Hugh H. Eby, Inc.	4751 Stenton Avenue Phila., Pa.
General Electric Co.	Schenectady, N. Y.
Grayhill	#1 No. Pulaski Road Chicago, Ill.
M. D. Hubbard Spring Co.	221 Central Avenue Pontiac 12, Mich.

NAME	ADDRESS
Hughes Aircraft Co.	Florence Avenue at Teale Street Culver City, Calif.
Ideal Industries, Inc.	Sycamore, Ill.
Littelfuse, Inc.	1865 Miner Street Desplaines, Ill.
Micro Switch Corp.	Freeport, Ill.
National Co., Inc.	60 Sherman Street Malden, Mass.
National Machine Shop, Inc.	919 Jessup Blair Drive Silver Springs, Md.
Oak Mfg. Co.	1260 N. Clybourne Avenue Chicago, Ill.
Radio Corp. of America (RCA Victor Division)	415 So. 5th Street Harrison, N. J.
Shakeproof, Inc.	405 Lexington Avenue New York, N. Y.
Sperti-Faraday, Inc.	1077 Celetial Street Cincinnati, Ohio
Sprague Electric Co.	201 Beaver Street No. Adams, Mass.
United Carr Fastener Co.	450 Main Street Cambridge, Mass.
Waldes-Kohinoor, Inc.	Austil Place Long Island City, N. Y.
Winchester Electronics	Glennbrook, Conn.
F. R. Zierick Mfg. Co.	Beechwood & Rockdale New Rochelle, N. Y.

INDEX

SUBJECT	PAGE	FIGURE	TABLE
A			
A2	4-4, 6-3		
A1 Broad	4-4, 5-3, 6-1		
A3 Broad	4-4, 6-3		
A1 Sharp	4-4, 5-3, 6-1		
A3 Sharp	4-4, 6-3		
A1 Signals	7-10		
A2 Signals	7-10		
A3 Signals	7-10		
A-C Power Supply	7-8		
Adjustments			
Slide	5-3, 6-1		
Tuning	4-1		
Adjustments, Initial			
Common Antenna Connection	3-9		
Dual Diversity	3-10		
F1 Operation	3-10		
Grounding Cabinet	3-9		
Matching Antenna Impedance	3-9		
Output Transformer Tap Settings	3-7		
Panoramic Adapter Connection	3-10		
Primary Tap Settings	3-6		
Servicing Position	3-6		
A-F Plug-in Unit			
Z1102	7-201, 7-202	7-65	
Z1103	7-203, 7-204	7-66	
Z1104	7-205, 7-206	7-67	
Z1105	7-207, 7-208	7-68	
Z1106	7-209, 7-210	7-69	
Z1107	7-211, 7-212	7-70	
Z1108	7-213, 7-214	7-71	
Z1109	7-215, 7-216	7-72	
AGC			
Delayed	2-10		
Det. Circuit	2-15		
Simplified Schematic	2-11	2-3	
Alignment			
BFO	7-66		
Crystal Calibrator	7-66, 7-67		7-7
I-F	7-64		
I-F Filter	7-64		
R-F (AN/SRR-11)	7-73		7-8
R-F (AN/SRR-12)	7-74		7-9
R-F (AN/SRR-13)	7-75		7-10
R-F Points	7-66	7-9	
R-F Section	7-67		

	SUBJECT	PAGE	FIGURE	TABLE
Amplifier				
Audio		2-12		
Connection Diagram		7-135, 7-136	7-31	
First I-F Connection Diagram				
AN/SRR-11		7-127, 7-128	7-27	
AN/SRR-12		7-129, 7-130	7-28	
AN/SRR-13		7-131, 7-132	7-29	
R-F		2-4		
AN/SRR-11 Connection Diagram		7-109, 7-110	7-18	
AN/SRR-12 Connection Diagram		7-111, 7-112	7-19	
AN/SRR-13 Connection Diagram		7-113, 7-114	7-20	
Second Audio		2-14		
Second I-F		2-10		
Connection Diagram		7-133, 7-134	7-30	
AN-3106A Cable Fabrication		3-8	3-6	
ANT. Cable Fabrication		3-2		
ANT. Circuit		2-15		
Antenna Box, Connection Diagram				
AN/SRR-11		7-103, 7-104	7-15	
AN/SRR-12		7-105, 7-106	7-16	
AN/SRR-13		7-107, 7-108	7-17	
Antenna Connection, Common		3-9		
Antenna Matching Links in Preamplifier				
AN/SRR-11		3-11	3-9	
AN/SRR-12 and -13		3-11	3-10	
Antenna Plug-in Board				
Z101		7-157, 7-158	7-42	
Z301		7-159, 7-160	7-43	
Z501		7-161, 7-162	7-44	
Antenna Preamplifier		2-3		
Applicable Color Codes and Miscellaneous Data		8-112		8-7
Assemblies		2-2		
Filter		1-2		
Spare		6-4		
Assembly				
Filter		2-15		
Locations		1-3		
Tuning Dial		2-18		
Audio		7-10		
Cable Fabrication		3-4		
Circuit		2-15		
Output Stages		2-14		
Audio Amplifier		2-12		
Connection Diagram		7-135, 7-136	7-31	
Second		2-13		

SUBJECT	PAGE	FIGURE	TABLE
B			
Band Selector Switches	2-2- 2-18, 7-61		
Basic Principles of AN/SRR-11, -12 and -13	1-1		
Basic Similarities in AN/SRR-11, -12 and -13	1-7		1-4
Beat Frequency Oscillator	2-12		
Connection Diagram	7-137, 7-138 7-137A, 7-138A	7-32 7-32A	
Plug-in Unit Z1302	7-229, 7-230	7-79	
Block Diagram			
AN/SRR-11	2-21, 2-22	2-8	
AN/SRR-12	2-23, 2-24	2-9	
AN/SRR-13	2-25, 2-26	2-10	
Bottom View of Chassis in Service Position	1-3	1-3	
Bottom View of Initial Adjustment Component Location	3-10	3-8	
BFO	7-12		
Alignment	7-66		
Freq. Vernier	7-8		
Mixer	2-10		
C			
Cable Connectors and Functions	3-4		3-1
Cable Fabrication	3-2		
AN-3106A	3-8	3-6	
.ANT.	3-2		
AUDIO	3-4		
DET. AGC	3-4		
I-F	3-2		
PAN	3-2		
POWER	3-4		
UG-21B/U	3-7	3-5	
UG-88/U	3-6	3-4	
Cabling	3-2		
Diagram, External	3-5	3-3	
Calibrator, Crystal	2-15, 7-7, 7-11		
10 KC	2-16		
50 KC	2-17		
200 KC	2-17		
Alignment	7-66, 7-67		7-7
Connection Diagram AN/SRR-11	7-139, 7-140	7-33	
Connection Diagram AN/SRR-12	7-141, 7-142	7-34	
Connection Diagram AN/SRR-13	7-143, 7-144	7-35	
Plug-in Unit Z1201	7-217, 7-218	7-73	
Plug-in Unit Z1202	7-219, 7-220	7-74	
Plug-in Unit Z1401	7-221, 7-222	7-75	
Plug-in Unit Z1402	7-223, 7-224	7-76	
Plug-in Unit Z1501	7-225, 7-226	7-77	
Plug-in Unit Z1502	7-227, 7-228	7-78	
Simplified Schematic AN/SRR-11	2-16	2-6	
Simplified Schematic AN/SRR-12 and 13	2-17	2-7	
Changing Electron Tubes	7-55		
Chassis Bottom View, Lubrication Chart	6-9	6-4	

SUBJECT	PAGE	FIGURE	TABLE
Chassis in Service Position			
Bottom View	1-3	1-3	
Top View	1-2	1-2	
Chassis Positioning Mechanism, Lubrication Chart	6-7	6-2	
Chassis Top View, Lubrication Chart	6-8	6-3	
Check Chart			
Routine	5-2		5-1
Routine Maintenance	5-3, 6-1, 6-2		6-1
Checking Tubes	6-4		
Circuit			
ANT.	2-15		
AUDIO	2-15		
Description	2-2		
DET. AGC	2-15		
Filter	2-10		
I-F	2-15		
Input	2-10		
PAN	2-15		
POWER	2-15		
Silencer	2-13		
Cleaning Mirror	6-4		
Color Code	8-112		8-7
Common Antenna Connection	3-9		
Component Location	7-65	7-8	
Connection			
Common Antenna	3-9		
Input	1-2		
Panoramic Adapter Adjustment	3-10		
Output	1-2		
Connection Diagram			
Antenna Box AN/SRR-11	7-103, 7-104	7-15	
Antenna Box AN/SRR-12	7-105, 7-106	7-16	
Antenna Box AN/SRR-13	7-107, 7-108	7-17	
Audio Amplifier	7-135, 7-136	7-31	
Beat Frequency Oscillator	7-137, 7-138	7-32	
Crystal Calibrator AN/SRR-11	7-139, 7-140	7-33	
Crystal Calibrator AN/SRR-12	7-141, 7-142	7-34	
Crystal Calibrator AN/SRR-13	7-143, 7-144	7-35	
Filter Assembly AN/SRR-11	7-147, 7-148	7-37	
Filter Assembly AN/SRR-12 and 13	7-149, 7-150	7-38	
First I-F Amplifier AN/SRR-11	7-127, 7-128	7-27	
First I-F Amplifier AN/SRR-12	7-128, 7-130	7-28	
First I-F Amplifier AN/SRR-13	7-131, 7-132	7-29	
Main Frame AN/SRR-11	7-151, 7-152	7-39	
Main Frame AN/SRR-12	7-153, 7-154	7-40	
Main Frame, AN/SRR-13	7-155, 7-156	7-41	
Mixer AN/SRR-11	7-115, 7-116	7-21	
Mixer AN/SRR-12	7-117, 7-118	7-22	
Mixer AN/SRR-13	7-119, 7-120	7-23	

SUBJECT	PAGE	FIGURE	TABLE
Oscillator AN/SRR-11	7-121, 7-122	7-24	
Oscillator AN/SRR-12	7-123, 7-124	7-25	
Oscillator AN/SRR-13	7-125, 7-126	7-26	
Power Supply	7-145, 7-146	7-36	
R-F Amplifier AN/SRR-11	7-109, 7-110	7-18	
R-F Amplifier AN/SRR-12	7-111, 7-112	7-19	
R-F Amplifier AN/SRR-13	7-113, 7-114	7-20	
Second I-F Amplifier	7-133, 7-134	7-30	
Connections, External	3-4		
Dual Diversity	3-5		
Full Operation	3-4		
Normal Installation	3-4		
Panoramic Adapter	3-4		
Connectors, Cable	3-4		3-1
Controls	1-3		
Front Panel AN/SRR-11	4-3	4-1	
Front Panel AN/SRR-12 and -13	4-3	4-2	
Gain	7-7		
Operating	4-1		
Output	7-7		
Reception	2-2, 2-18, 2-19, 7-61		2-2
Silencer	7-7		
Cross Reference Parts List	8-109		8-6
Crystal			
Removing	7-59		
Replacing	7-59		
Crystal Calibrator	2-16, 7-7, 7-11,		
10 KC	2-16		
50 KC	2-17		
200 KC	2-18		
Alignment	7-66, 7-67		7-7
Connection Diagram AN/SRR-11	7-139, 7-140	7-33	
Connection Diagram AN/SRR-12	7-141, 7-142	7-34	
Connection Diagram AN/SRR-13	7-143, 7-144	7-35	
Plug-in Unit Z1201	7-217, 7-218	7-73	
Plug-in Unit Z1202	7-219, 7-220	7-74	
Plug-in Unit Z1401	7-221, 7-222	7-75	
Plug-in Unit Z1402	7-223, 7-224	7-76	
Plug-in Unit Z1501	7-225, 7-226	7-77	
Plug-in Unit Z1502	7-227, 7-228	7-78	
Simplified Schematic AN/SRR-11	2-16	2-6	
Simplified Schematic AN/SRR-12 and -13	2-17	2-7	
Crystal Controlled Calibrator Operation	4-5, 5-1		
Crystal Data	7-72, 7-76		7-11

D

Data Reference	1-3		
D-C Power Supply	7-9		
Delayed AGC	2-10		

SUBJECT	PAGE	FIGURE	TABLE
Description			
Circuit	2-2		
General	1-1		
Receivers	1-1		
Det. AGC			
Cable Fabrication	3-4		
Circuit	2-16		
Detailed Trouble Shooting	7-8		
Detector			
Diode	2-10, 7-12		
Simplified Schematic	2-11	2-3	
Detector and AGC Simplified Schematic	2-11	2-3	
Dial Light	5-3, 6-1, 7-3		
Removing	7-59		
Replacing	7-59		
Dial, Tuning	1-3, 7-60		
Diode Detector	2-10, 7-12		
Diode Limiters	2-14		
Diversity Operation, Link Positions	3-12	3-11	
Dual Diversity			
Operation Adjustment	3-10, 3-12		
Reception	2-12		
E			
Eight-pin Tubes	7-55		
Electron Tube Complement			
AN/SRR-11	1-7		1-5
AN/SRR-12	1-8		1-6
AN/SRR-13	1-8		1-7
Electron Tubes	5-2, 7-55		
Emergency Maintenance	4-5, 5-1		
Emission Types			
A2	4-4		
A1 Broad	4-4		
A1 Sharp	4-4		
A3 Broad	4-4		
A3 Sharp	4-4		
FSK	4-4		
Energizing Receiver	3-10		
Equipment Required But Not Supplied	1-6		1-2
Equipment Supplied	1-5		1-1
External Cabling Diagram	3-5	3-3	
External Connections	3-4		
Dual Diversity	3-5		
F1 Operation	3-4		
Normal Installation	3-4		
Panoramic Adapter	3-4		

SUBJECT	PAGE	FIGURE	TABLE
F			
F1 Operation Adjustments	3-10		
F1 Signals	7-10		
Failure Report	7-2		
Filter Assemblies	1-2		
Filter Assembly	2-15		
Connection Diagram AN/SRR-11	7-147, 7-148	7-37	
Connection Diagram AN/SRR-12 and -13	7-149, 7-150	7-38	
Filter Circuit	2-10		
First I-F	2-8		
First I-F Amplifier			
Connection Diagram AN/SRR-11	7-127, 7-128	7-27	
Connection Diagram AN/SRR-12	7-129, 7-130	7-28	
Connection Diagram AN/SRR-13	7-131, 7-132	7-29	
First I-F Plug-in Unit			
Z701	7-179, 7-180	7-54	
Z801	7-181, 7-182	7-55	
Z901	7-183, 7-184	7-56	
First I-F Simplified Schematic	2-9	2-2	
Frequency Shift	2-12		
Freq. Vernier (BFO)	7-8		
Front Panel Controls			
AN/SRR-11	4-3	4-1	
AN/SRR-12 and -13	4-3	4-2	
AN/SRR-13A	4-4A		
FSK	4-4, 6-3		
Fuses	4-5, 5-1, 7-3		
G			
Gain Control	7-7		
General Description	1-1		
Grounding Cabinet	3-9		
H			
Hi-Lo			
Input	2-3		
Output	2-3		
Hum	3-12		
I			
I-F			
Alignment	7-64		
Cable Fabrication	3-2		
Circuit	2-15		
Filter Alignment	7-64		
First	2-8		
First, Simplified Schematic	2-9	2-2	
Relationships	2-8		2-1
Second	2-9		
System	7-10		
Indicator, Tuning	7-12		

SUBJECT	PAGE	FIGURE	TABLE
Initial Adjustments	3-6		
Common Antenna Connection	3-9		
Component Location (Bottom View)	3-10	3-8	
Component Location (Top View)	3-9	3-7	
Dual Diversity	3-10		
F1 Operation	3-10		
Grounding Cabinet	3-9		
Matching Antenna Impedance	3-9		
Output Transformer Tap Settings	3-7		
Panoramic Adapter Connection	3-10		
Primary Tap Settings	3-6		
Servicing Position	3-6		
Input			
Circuit	2-10		
Connections	1-2		
Hi-Lo	2-3		
Installation	3-1		
Outline	3-13, 3-14	3-13	
Introduction	7-2		
L			
Link Positions			
Diversity Operation	3-12	3-11	
Single Receiver Operation	3-12	3-12	
Limiter			
Diode	2-14		
Noise Peak	7-12		
Noise Peak, Simplified Schematic	2-13	2-4	
List of Major Units	8-1		8-3
List of Manufacturers	8-113		8-8
List of Test Equipment	7-3		7-1
Local Oscillator	2-6		
Simplified Schematic	2-9	2-1	
Localizing Trouble	7-2		
Logging Scales Operation	4-4		
Lubrication	6-4		
Lubrication Chart			
Chassis Bottom View	6-9	6-4	
Chassis Positioning Mechanism	6-7	6-2	
Chassis Top View	6-8	6-3	
Tuning Dial Mechanism	6-10	6-5	
M			
Main Frame			
Connection Diagram AN/SRR-11	7-151, 7-152	7-39	
Connection Diagram AN/SRR-12	7-153, 7-154	7-40	
Connection Diagram AN/SRR-13	7-155, 7-156	7-41	
Connection Diagram AN/SRR-13A	7-155A, 7-156A	7-41A	
Maintenance			
Emergency	4-5, 5-1		
Parts Kit	8-108		8-5

SUBJECT	PAGE	FIGURE	TABLE
Manufacturers, List of	8-113		8-8
Matching Antenna Impedance	3-9		
Measurements			
Resistance	7-51		
Selecting	7-71		
Stage Gain	7-16		
Voltage	7-51		
Meter			
Operation	4-4		
Output	2-14, 7-3		
Tuning	2-10, 7-7		
Mirror Cleaning	6-4		
Mixer			
Connection Diagram AN/SRR-11	7-115, 7-116	7-21	
Connection Diagram AN/SRR-12	7-117, 7-118	7-22	
Connection Diagram AN/SRR-13	7-119, 7-120	7-23	
Plug-in Board Z151	7-167, 7-168	7-48	
Plug-in Board Z351	7-169, 7-170	7-49	
Plug-in Board Z551	7-171, 7-172	7-50	
N			
Noise Peak Limiter	7-12		
Simplified Schematic	2-13	2-4	
O			
Operation			
Crystal Controlled Calibrator	4-5, 5-1		
Introduction	4-1		
Logging Scales	4-4		
Panoramic	2-12		
Meters	4-4		
Selecting Emission Types	4-4		
Shutting Off Equipment	4-5, 5-1		
Starting Equipment	4-2		
Summary	4-2		
Tuning a Signal	4-2		
Operating			
Controls	4-1		
Switches	4-1		
Test in Service Position	3-9		
Oscillator, Connection Diagram			
AN/SRR-11	7-121, 7-122	7-24	
AN/SRR-12	7-123, 7-124	7-25	
AN/SRR-13	7-125, 7-126	7-26	
Oscillator Plug-in Board			
Z201	7-173, 7-174	7-51	
Z401	7-175, 7-176	7-52	
Z601	7-177, 7-178	7-53	
Z601 (AN/SRR-13A)	7-177A, 7-178A	753A	

SUBJECT	PAGE	FIGURE	TABLE
Oscillator, Beat Frequency	2-12		
Connection Diagram	7-137, 7-138	7-32	
Plug-in Unit Z1302	7-229, 7-230	7-79	
Oscillator, Local	2-6		
Simplified Schematic	2-9	2-1	
Output			
Connections	1-2		
Control	7-7		
Hi-Lo	2-3		
Meter	2-14, 7-3		
Weak	7-8		
Transformer Tap Settings	3-7		
Output Stages, Audio	2-14		
	P		
Panel Controls, Front			
AN/SRR-11	4-3	4-1	
AN/SRR-12 and -13	4-3	4-2	
PAN			
Cable Fabrication	3-2		
Circuit	2-15		
Panoramic			
Adapter Connection	3-4		
Adapter Connection Adjustment	3-10		
Operation	2-12		
Pilot Light	5-3, 6-1, 7-3		
Removing	7-59		
Replacing	7-59		
Phones	7-3		
Plug-in Board			
Antenna Z101	7-157, 7-158	7-42	
Antenna Z301	7-159, 7-160	7-43	
Antenna Z501	7-161, 7-162	7-44	
Mixer Z151	7-167, 7-168	7-48	
Mixer Z351	7-169, 7-170	7-49	
Mixer Z551	7-171, 7-172	7-50	
Oscillator Z201	7-173, 7-174	7-51	
Oscillator Z401	7-175, 7-176	7-52	
Oscillator Z601	7-177, 7-178	7-53	
R-F Z126	7-163	7-45	
R-F Z326	7-164	7-46	
R-F Z526	7-165, 7-166	7-47	
Plug-in Sub-Assemblies			
Removing	7-55		
Replacing	7-55		

SUBJECT	PAGE	FIGURE	TABLE
Plug-in Unit			
A-F Z1101	7-199, 7-200	7-64	
A-F Z1102	7-201, 7-202	7-65	
A-F Z1103	7-203, 7-204	7-66	
A-F Z1104	7-205, 7-206	7-67	
A-F Z1105	7-207, 7-208	7-68	
A-F Z1106	7-209, 7-210	7-69	
A-F Z1107	7-211, 7-212	7-70	
A-F Z1108	7-213, 7-214	7-71	
A-F Z1109	7-215, 7-216	7-72	
Beat Frequency Oscillator Z1302	7-229, 7-230	7-79	
Crystal Calibrator Z1201	7-217, 7-218	7-73	
Crystal Calibrator Z1202	7-219, 7-220	7-74	
Crystal Calibrator Z1401	7-221, 7-222	7-75	
Crystal Calibrator Z1402	7-223, 7-224	7-76	
Crystal Calibrator Z1501	7-225, 7-226	7-77	
Crystal Calibrator Z1502	7-227, 7-228	7-78	
First I-F Z701	7-179, 7-180	7-54	
First I-F Z801	7-181, 7-182	7-55	
First I-F Z901	7-183, 7-184	7-56	
Second I-F Z1004	7-185, 7-186	7-57	
Second I-F Z1006	7-187, 7-188	7-58	
Second I-F Z1008	7-189, 7-190	7-59	
Second I-F Z1010	7-191, 7-192	7-60	
Second I-F Z1012	7-193, 7-194	7-61	
Second I-F Z1013	7-195, 7-196	7-62	
Second I-F Z1014	7-197, 7-198	7-63	
Power			
Cable Fabrication	3-4		
Circuit	2-15		
Power Supply	2-14		
A-C	7-8		
Bottom View	5-2	5-1	
Connection Diagram	7-145, 7-146	7-36	
D-C	7-9		
Preamplifier, Antenna	2-3		
Primary Tap Settings	3-6		
Publications Required But Not Supplied	1-6		1-2
Purpose	1-1		
R			
Radio Receiver			
AN/SRR-11	1-0	1-1	
AN/SRR-12	1-0	1-1	
AN/SRR-13	1-0	1-1	
Receiver Alignment	7-61		
Receiver Component Location	7-65	7-8	

SUBJECT	PAGE	FIGURE	TABLE
Receiver Sensitivity			
A2	6-3		
A1 Broad	5-3, 6-1		
A1 Sharp	5-3, 6-1		
A3 Broad	6-3		
A3 Sharp	6-3		
FSK	6-3		
Measurements	6-6	6-1	
Reception Switch Assembly	3-10A		
Reception, Control	2-2, 2-18, 7-61		
Functions	2-19		2-2
Reception, Dual Diversity	2-11		
Reducing Hum	3-12		
Reference Data	1-3		
Removal of Chassis from Cabinet	3-3	3-2	
Removal of Tuning Dial	7-62, 7-63	7-7	
Removing			
Assemblies	7-55		
Assemblies Bottom Side (AN/SRR-11)	7-14	7-4	
Assemblies Bottom Side (AN/SRR-12 and -13)	7-15	7-5	
Assemblies Top Side	7-13	7-3	
Assembly Covers	7-55		
Crystals	7-59		
Dial Lights	7-59		
Electron Tubes	7-56, 7-57	7-6	
Pilot Light	7-59		
Plug-in Units	7-56, 7-57	7-6	
Tuning Dial	7-60		
Replacement of Tuning Dial	7-62, 7-63	7-7	
Replacing			
Assemblies	7-55		
Assemblies Bottom Side (AN/SRR-11)	7-14	7-4	
Assemblies Bottom Side (AN/SRR-12 and -13)	7-15	7-5	
Assemblies Top Side	7-13	7-3	
Assembly Covers	7-55		
Crystals	7-59		
Dial Lights	7-59		
Electron Tubes	5-2, 7-56, 7-57	7-6	
Four-pin Tubes	7-59		
Fuses	4-5, 5-1		
Pilot Light	7-59		
Plug-in Units	7-56, 7-57	7-6	
Tuning Dial	7-60		
Resistance Measurements	7-51, 7-53,		
	7-54		7-4
R-F Alignment Points	7-66	7-9	
R-F Alignment Procedure			
AN/SRR-11	7-73		7-8
AN/SRR-12	7-74		7-9
AN/SRR-13	7-75		7-10

SUBJECT	PAGE	FIGURE	TABLE
R-F Amplifier	2-4		
Connection Diagram AN/SRR-11	7-109, 7-110	7-18	
Connection Diagram AN/SRR-12	7-111, 7-112	7-19	
Connection Diagram AN/SRR-13	7-113, 7-114	7-20	
R-F Plug-in Board			
Z126	7-163	7-45	
Z326	7-164	7-46	
Z526	7-165, 7-166	7-47	
R-F Section Alignment	7-67		
R-F System	7-10, 7-11		
Routine Check	4-5, 5-1		
Routine Check Chart	5-2		5-1
Routine Maintenance Check Chart	5-3, 6-1, 6-2		6-1
Schematic Diagram			
AN/SRR-11	7-91, 7-92, 7-93, 7-94	7-12	
AN/SRR-12	7-95, 7-96, 7-97, 7-98	7-13	
AN/SRR-12 (Serial Nos. 574 through 935)	7-97A, 7-98A, 7-97B, 7-98B	7-13A	
AN/SRR-13	7-99, 7-100, 7-101, 7-102	7-14	
AN/SRR-13A	7-101A, 7-102A, 7-101B, 7-102B	7-14A	
Second Audio Amplifier	2-13		
Second I-F	2-9		
Second I-F Amplifier, Connection Diagram	7-133, 7-134	7-30	
Second I-F Plug-in Unit	7-133A, 7-134A	7-30A	
Z1004	7-185, 7-186	7-57	
Z1006	7-187, 7-188	7-58	
Z1008	7-189, 7-190	7-59	
Z1010	7-191, 7-192	7-60	
Z1012	7-193, 7-194	7-61	
Z1013	7-195, 7-196	7-62	
Z1014	7-197, 7-198	7-63	
Selector, Band	2-18		
Selectivity Curves	7-70	7-11	
Selectivity Measurements	7-69, 7-71	7-10	
Sensitivity Data	6-4		
AN/SRR-11	6-4		6-2
AN/SRR-12	6-5		6-3
AN/SRR-13	6-5		6-4
Sensitivity Measurements	6-6	6-1	
Servicing Position Adjustments	3-6		
Set-up for Selectivity Measurements	7-69	7-10	
Shipping Data	1-6		1-3
Shipping Weights and Dimensions of Spare Parts Boxes	8-1		8-2
Signals			
A1	7-10		
A2	7-10		
A3	7-10		
F1	7-10		
Signal Tuning	4-2		

SUBJECT	PAGE	FIGURE	TABLE
Silencer Circuit	2-13		
Simplified Schematic	2-13	2-5	
Silencer Control	7-7		
Similarities, Basic in Radio Receiving Sets AN/SRR-11, -12, and -13	1-7		1-4
Simplified Schematic			
AGC	2-11	2-3	
Crystal Calibrator AN/SRR-11	2-16	2-6	
Crystal Calibrator AN/SRR-12 and -13	2-17	2-7	
Detector	2-11	2-3	
First I-F	2-9	2-2	
Local Oscillator	2-9	2-1	
Noise Peak Limiter	2-13	2-4	
Silencer Circuit	2-13	2-5	
Slide Assembly Adjustments	5-3, 6-1		
Spare Assemblies	6-4		
Stage Gain Measurements	7-9, 7-16	7-2	7-3
Points (Sheet 1)	7-4	7-1	
Points (Sheet 2)	7-5	7-1	
Starting Equipment	4-2		
Sub-Assemblies	1-2, 2-2		
Summary of Operation	4-2		
Supply, Power	2-14		
Switches			
Band Selector	2-2, 7-61		
Operating	4-1		
Wafer	2-2, 7-61		
T			
Table of Replaceable Parts	8-2		8-4
Tap Settings			
Output Transformer	3-7		
Primary	3-6		
Test Equipment for Selectivity			
Measurements	7-69	7-10	
Test Set-up for Stage Gain Measurements	7-9	7-2	
Theory			
General Description	2-1		
Top View of Chassis in Servicing Position	1-2	1-2	
Top View of Initial Adjustment Component Location	3-9	3-7	
Trouble Shooting			
Chart	7-6		7-2
Listed	7-8		
Measurement Points	7-4, 7-5	7-1	
Tube Characteristics	7-59		7-6
Tube Checking	6-4		
Tube Operating Voltages and Currents	7-58		7-5

SUBJECT	PAGE	FIGURE	TABLE
Tubes			
Electron	5-2		
Replacing Eight-pin	7-55		
Replacing Four-pin	7-59		
Tuning a Signal	4-2		
Tuning Adjustments	4-1		
Tuning Capacitors	7-61		
Tuning Dial	1-3, 7-60		
Alignment	7-60		
Assembly	2-18		
Mechanism, Lubrication Chart	6-10	6-5	
Tuning Indicator	7-12		
Tuning Meter	2-10, 7-7		
U			
Unpacking	3-1	3-1	
General	3-1		
Procedure	3-1		
UG-21B/U Cable Fabrication	3-7	3-5	
UG-88/U Cable Fabrication	3-6	3-4	
V			
Vernier, Freq. (BFO)	7-8		
Voltage Measurements	7-51, 7-53, 7-54		7-4
W			
Wafer Switches	2-2		
Alignment	7-61		
Weak Output	7-8		
Weights and Dimensions of Spare Parts Boxes	8-1		8-1
Winding Data	7-72, 7-76		7-12
Z			
Z101, Antenna Plug-in Board	7-157, 7-158	7-42	
Z126, R-F Plug-in Board	7-163	7-45	
Z151, Mixer Plug-in Board	7-167, 7-168	7-48	
Z201, Oscillator Plug-in Board	7-173, 7-174	7-51	
Z301, Antenna Plug-in Board	7-159, 7-160	7-43	
Z326, R-F Plug-in Board	7-146	7-46	
Z351, Mixer Plug-in Board	7-149, 7-150	7-49	
Z401, Oscillator Plug-in Board	7-175, 7-176	7-52	
Z501, Antenna Plug-in Board	7-161, 7-162	7-44	
Z526, R-F Plug-in Board	7-165, 7-166	7-47	
Z551, Mixer Plug-in Board	7-171, 7-172	7-50	
Z601, Oscillator Plug-in Board	7-177, 7-178	7-53	
	7-177A, 7-178A		
Z701, First I-F Plug-in Unit	7-179, 7-180	7-54	
Z801, First I-F Plug-in Unit	7-181, 7-182	7-55	

SUBJECT	PAGE	FIGURE	TABLE
Z901, First I-F Plug-in Unit	7-183, 7-184	7-56	
Z1004, Second I-F Plug-in Unit	7-185, 7-186	7-57	
Z1006, Second I-F Plug-in Unit	7-187, 7-188	7-58	
Z1008, Second I-F Plug-in Unit	7-189, 7-190	7-59	
Z1010, Second I-F Plug-in Unit	7-191, 7-192	7-60	
Z1012, Second I-F Plug-in Unit	7-193, 7-194	7-61	
Z1013, Second I-F Plug-in Unit	7-195, 7-196	7-62	
Z1014, Second I-F Plug-in Unit	7-197, 7-198	7-63	
Z1101, A-F Plug-in Unit	7-199, 7-200	7-64	
Z1102, A-F Plug-in Unit	7-201, 7-202	7-65	
Z1103, A-F Plug-in Unit	7-203, 7-204	7-66	
Z1104, A-F Plug-in Unit	7-205, 7-206	7-67	
Z1105, A-F Plug-in Unit	7-207, 7-208	7-68	
Z1106, A-F Plug-in Unit	7-209, 7-210	7-69	
Z1107, A-F Plug-in Unit	7-211, 7-212	7-70	
Z1108, A-F Plug-in Unit	7-213, 7-214	7-71	
Z1109, A-F Plug-in Unit	7-215, 7-216	7-72	
Z1201, Crystal Calibrator Plug-in Unit	7-217, 7-218	7-73	
Z1202, Crystal Calibrator Plug-in Unit	7-219, 7-220	7-74	
Z1302, Beat Frequency Oscillator Plug-in Unit	7-229, 7-230	7-79	
Z1401, Crystal Calibrator Plug-in Unit	7-221, 7-222	7-75	
Z1402, Crystal Calibrator Plug-in Unit	7-223, 7-224	7-76	
Z1501, Crystal Calibrator Plug-in Unit	7-225, 7-226	7-77	
Z1502, Crystal Calibrator Plug-in Unit	7-227, 7-228	7-78	